



US00D96889S

(12) **United States Design Patent** (10) **Patent No.:** **US D968,889 S**  
**George** (45) **Date of Patent:** **\*\* Nov. 8, 2022**

(54) **PELLET GRILL CART** D770,833 S \* 11/2016 Lira-Nunez ..... A47J 37/0704  
D7/332  
(71) Applicant: **Darren George**, Pasadena, MD (US) D790,270 S \* 6/2017 Lira-Nunez ..... D7/334  
D846,348 S \* 4/2019 Nilssen ..... A47J 37/0781  
(72) Inventor: **Darren George**, Pasadena, MD (US) D7/403

(\*\*) Term: **15 Years**

(21) Appl. No.: **29/810,054**

(22) Filed: **Sep. 30, 2021**

(Continued)

**OTHER PUBLICATIONS**

DRG Custom Carts Bullseye build, first available Mar. 7, 2018, YouTube, [online], [site visited May 19, 2022], Available from internet URL: <https://www.youtube.com/watch?v=5w6ybx1bejU> (Year: 2018).\*

(Continued)

**Related U.S. Application Data**

(63) Continuation-in-part of application No. 29/754,968, filed on Oct. 15, 2020.

(51) **LOC (13) Cl.** ..... **07-02**

(52) **U.S. Cl.**  
USPC ..... **D7/403**

(58) **Field of Classification Search**  
USPC ..... D7/323, 332-339, 387, 402-406, 408,  
D7/409; D21/523, 524; D23/335, 337,  
D23/339, 343, 345

CPC ..... A47J 37/00; A47J 37/06; A47J 37/0647;  
A47J 37/0658; A47J 37/07-0754; A47J  
37/0763; A47J 37/0781; A47J 37/0786;  
A47J 2037/0777; A47J 2037/0795

See application file for complete search history.

*Primary Examiner* — Mary Ann Calabrese

*Assistant Examiner* — Natalya M Rapundalo

(74) *Attorney, Agent, or Firm* — Quickpatents, LLC;  
Kevin Prince

(57) **CLAIM**

The ornamental design for a pellet grill cart, as shown and described.

**DESCRIPTION**

FIG. 1 is a front perspective view of a pellet grill cart, showing my new design with a pellet feeder and a pellet grill mounted thereto in broken lines;

FIG. 2 is an alternate front perspective view thereof, illustrated with the pellet feeder and the pellet grill omitted;

FIG. 3 is an exploded front perspective view thereof;

FIG. 4 is a bottom perspective view thereof;

FIG. 5 is a front elevational view thereof;

FIG. 6 is a rear elevational view thereof;

FIG. 7 is a right-side elevational view thereof;

FIG. 8 is a left-side elevational view thereof;

FIG. 9 is a top plan view thereof; and,

FIG. 10 is a bottom plan view thereof.

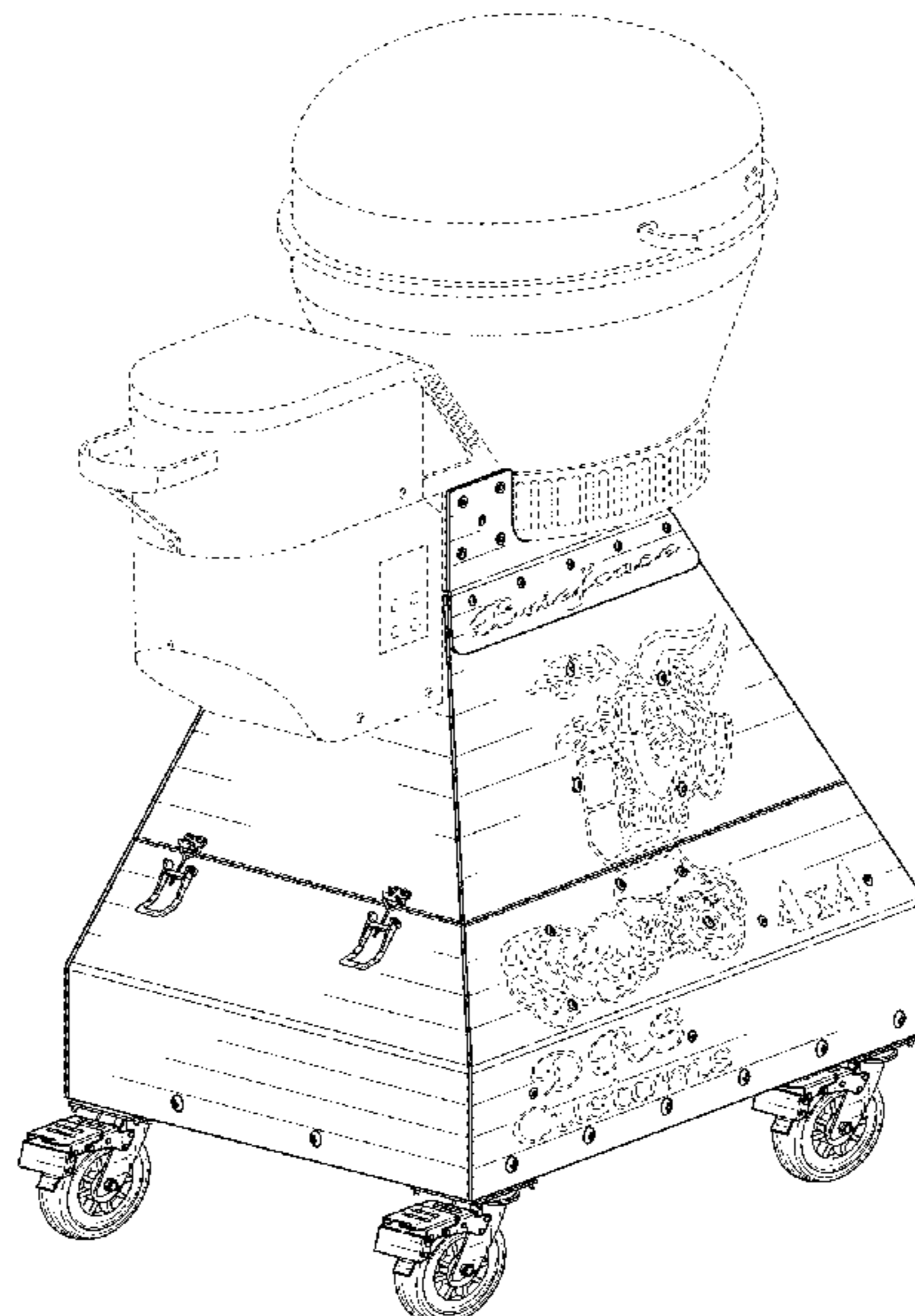
The broken lines in the figures depict a pellet feeder, a pellet grill, and portions of the pellet grill cart and form no part of the claimed design.

**1 Claim, 10 Drawing Sheets**

(56) **References Cited**

**U.S. PATENT DOCUMENTS**

D87,667 S \* 8/1932 Lovejoy ..... D7/403  
4,788,905 A \* 12/1988 Von Kohorn ..... A47J 37/0781  
454/189  
5,086,752 A \* 2/1992 Hait ..... A47J 37/0704  
126/25 R  
D410,173 S \* 5/1999 Best ..... D7/332  
D632,865 S \* 2/2011 Wright ..... D34/12  
D719,778 S \* 12/2014 Fails ..... A47J 37/1219  
D7/334



(56)

**References Cited**

U.S. PATENT DOCUMENTS

D890,570 S \* 7/2020 Lira-Nunez ..... D7/403  
2002/0112718 A1\* 8/2002 Johnson ..... A47J 37/0781  
126/25 R  
2017/0164787 A1\* 6/2017 Freret ..... A47J 37/1219

OTHER PUBLICATIONS

V-4 Signature Series Cart, first available Nov. 15, 2021, YouTube, [online], [site visited May 19, 2022], Available from internet URL: <https://www.youtube.com/watch?v=7dHzDtEA9E&t=2s> (Year: 2021).\*

Bullseye Grill V-4 Signature Series Comp Cart, DRG Custom Fabrications, [online], [site visited May 19, 2022], Available from internet URL: <https://drgcustomcarts.us/products/v-4-signature-all-in-one-comp-cart-coming-in-mid-november> (Year: 2022).\*

V-4 Bullseye Grill Custom Cart, DRG Custom Fabrications, [online], [site visited May 19, 2022], Available from internet URL: <https://drgcustomcarts.us/products/v-4-bullseye-grill-custom-cart> (Year: 2022).\*

\* cited by examiner

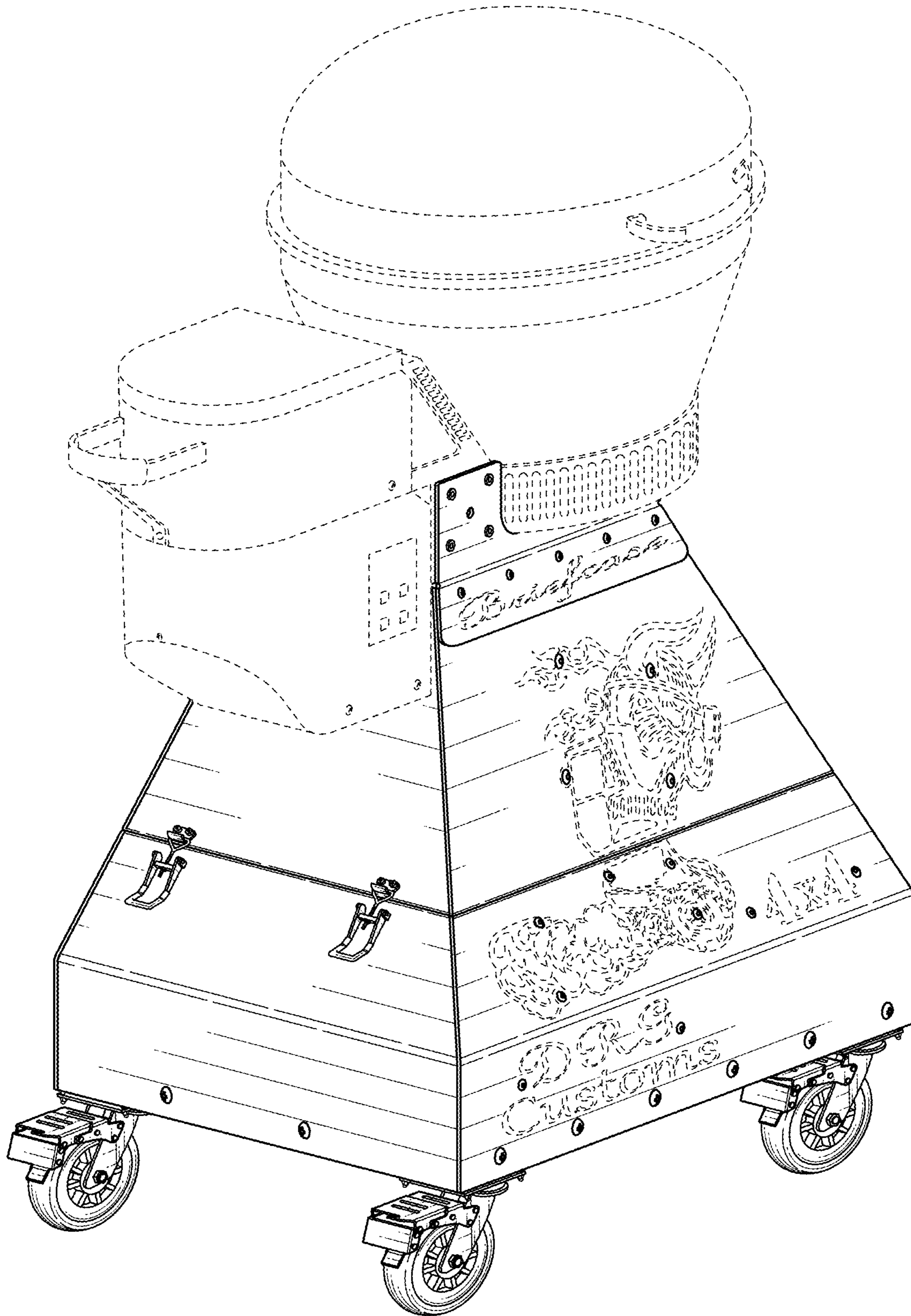


FIG. 1



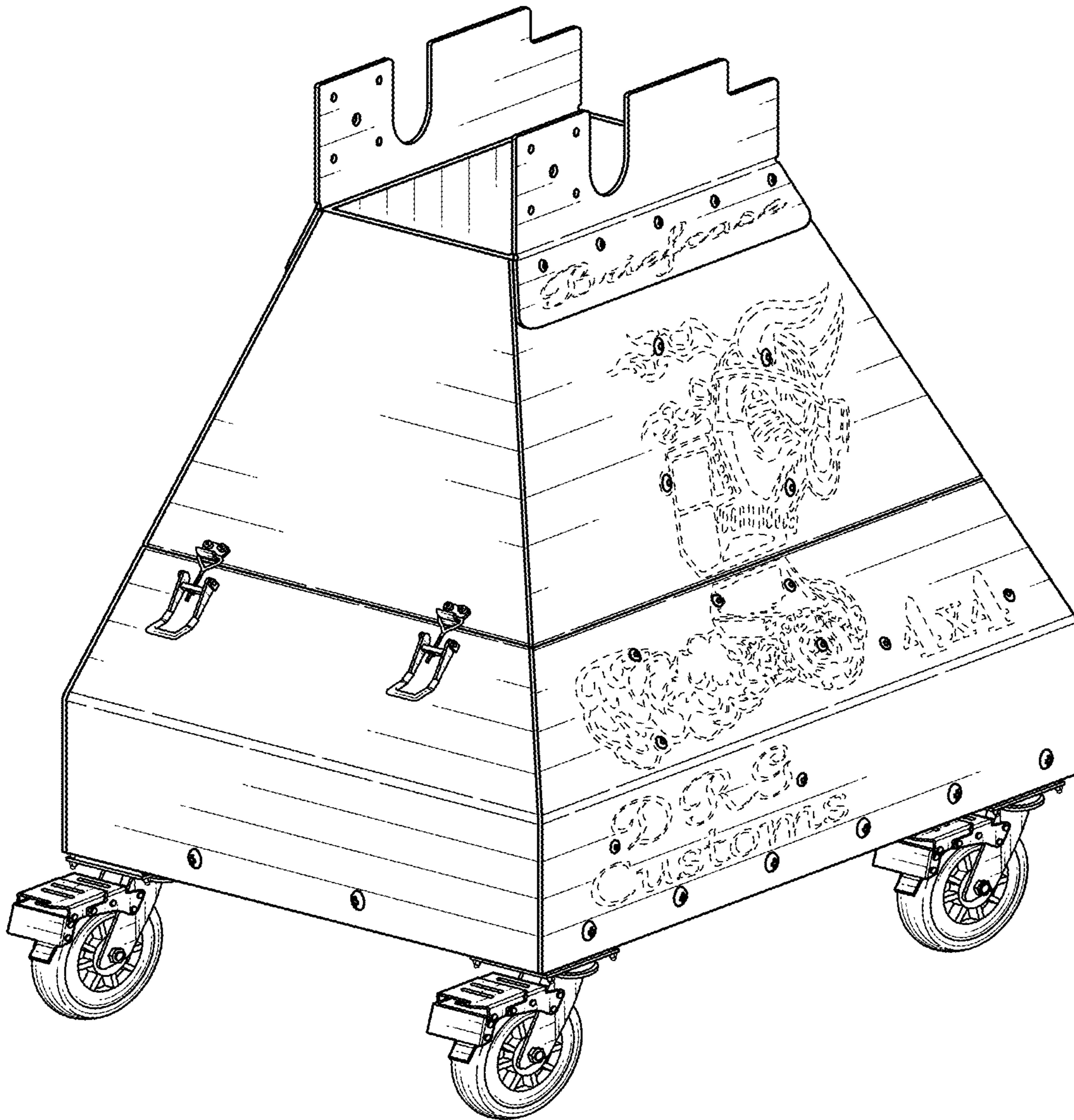


FIG. 2

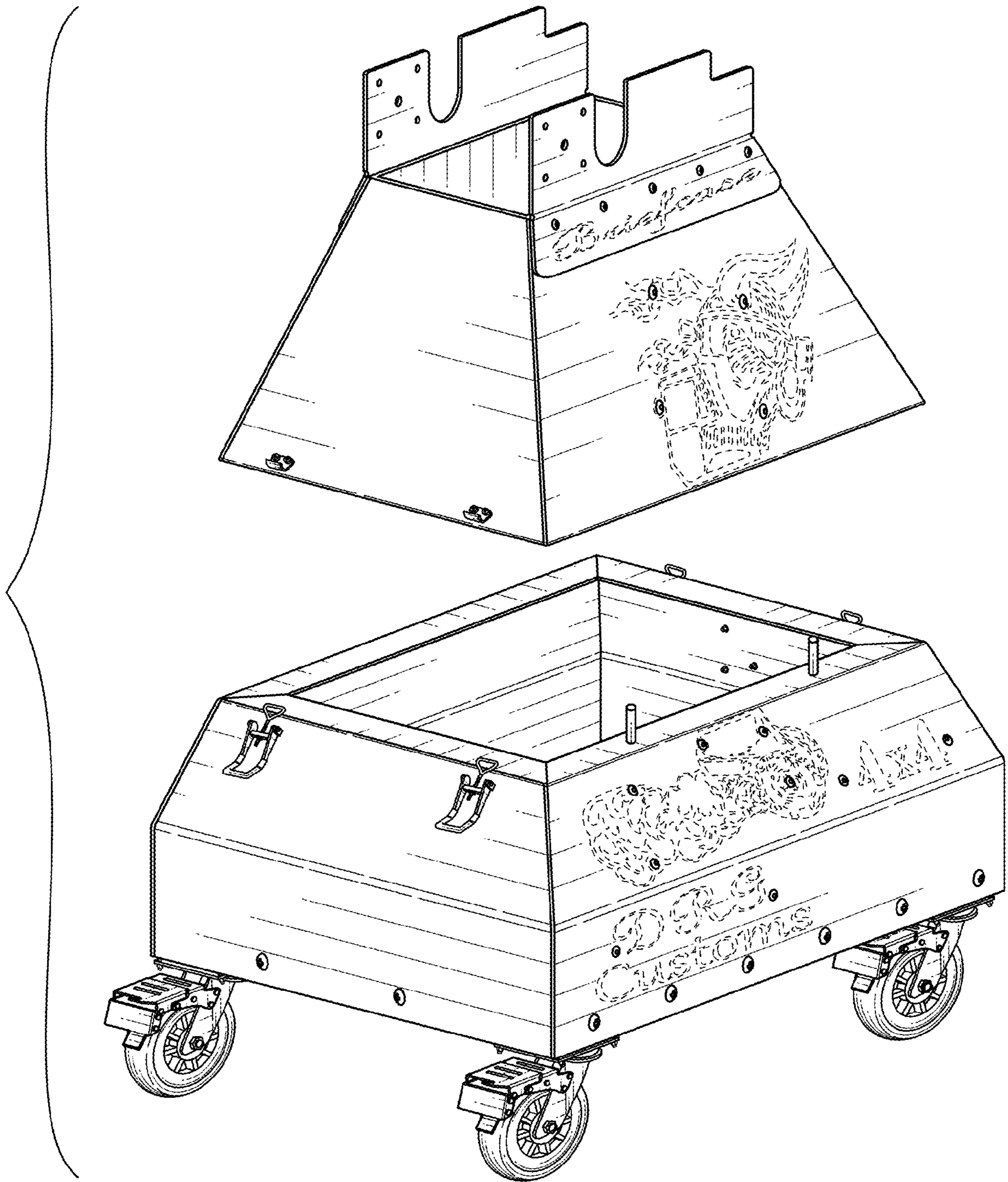


FIG. 3



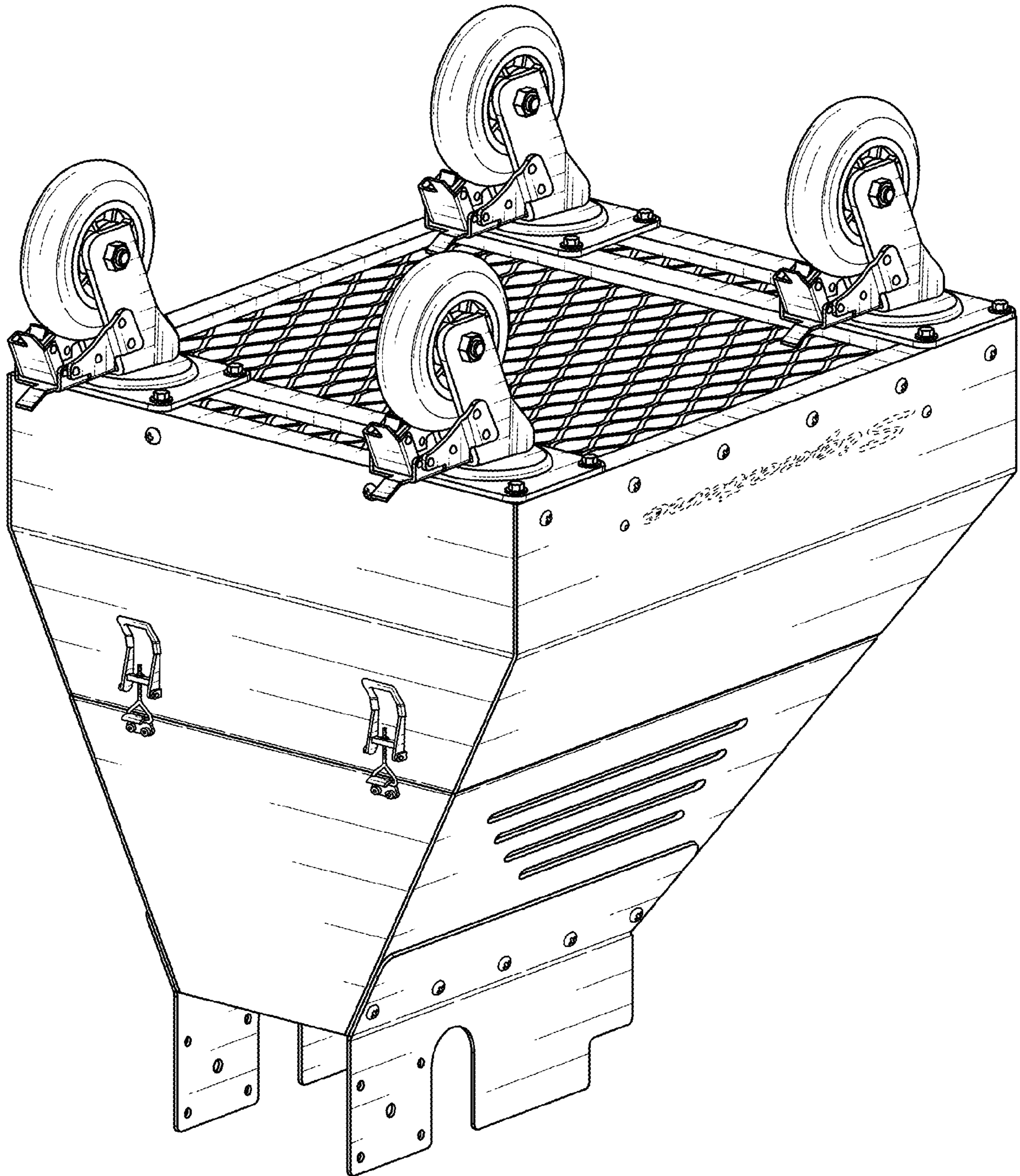


FIG. 4

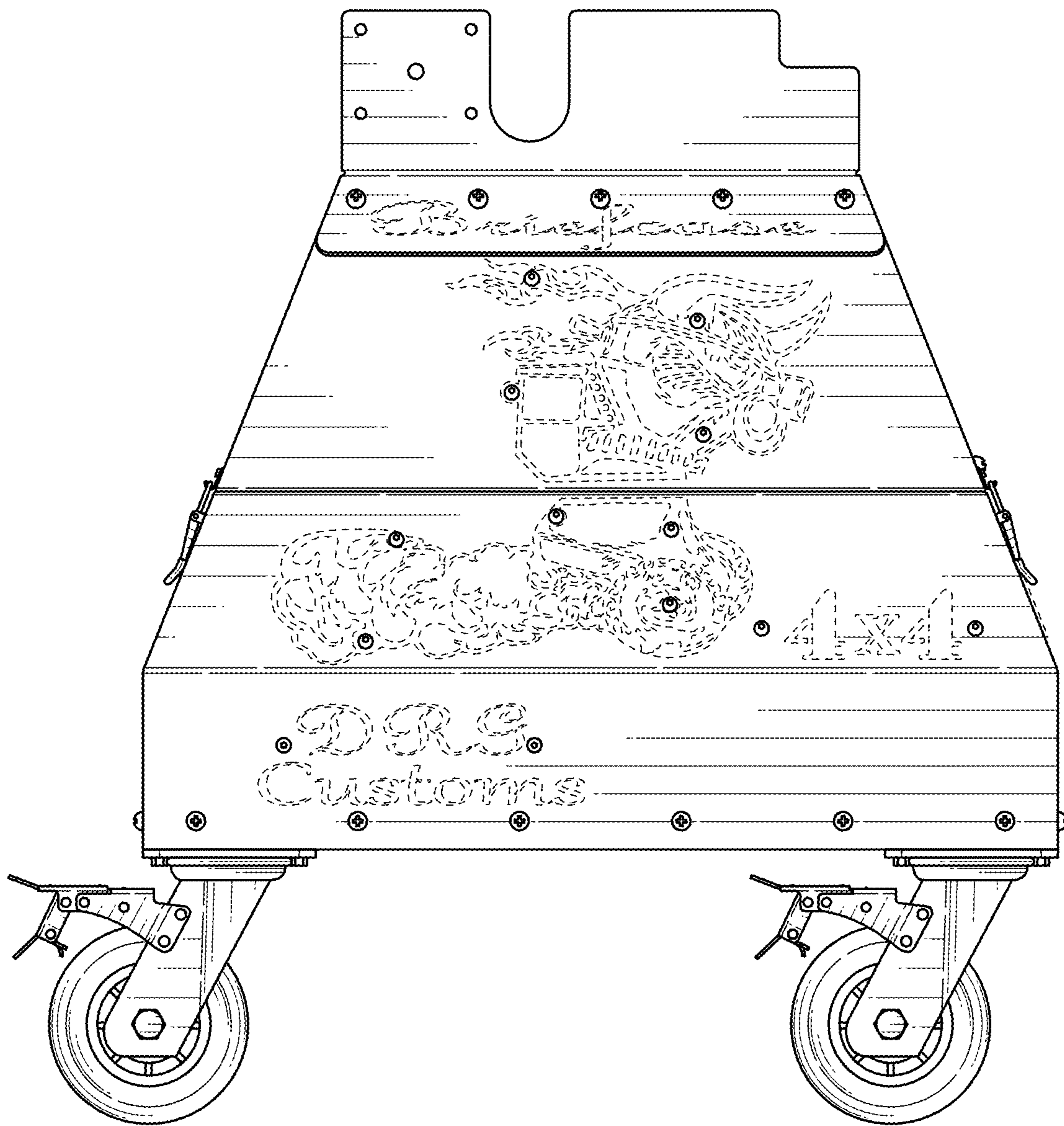


FIG. 5

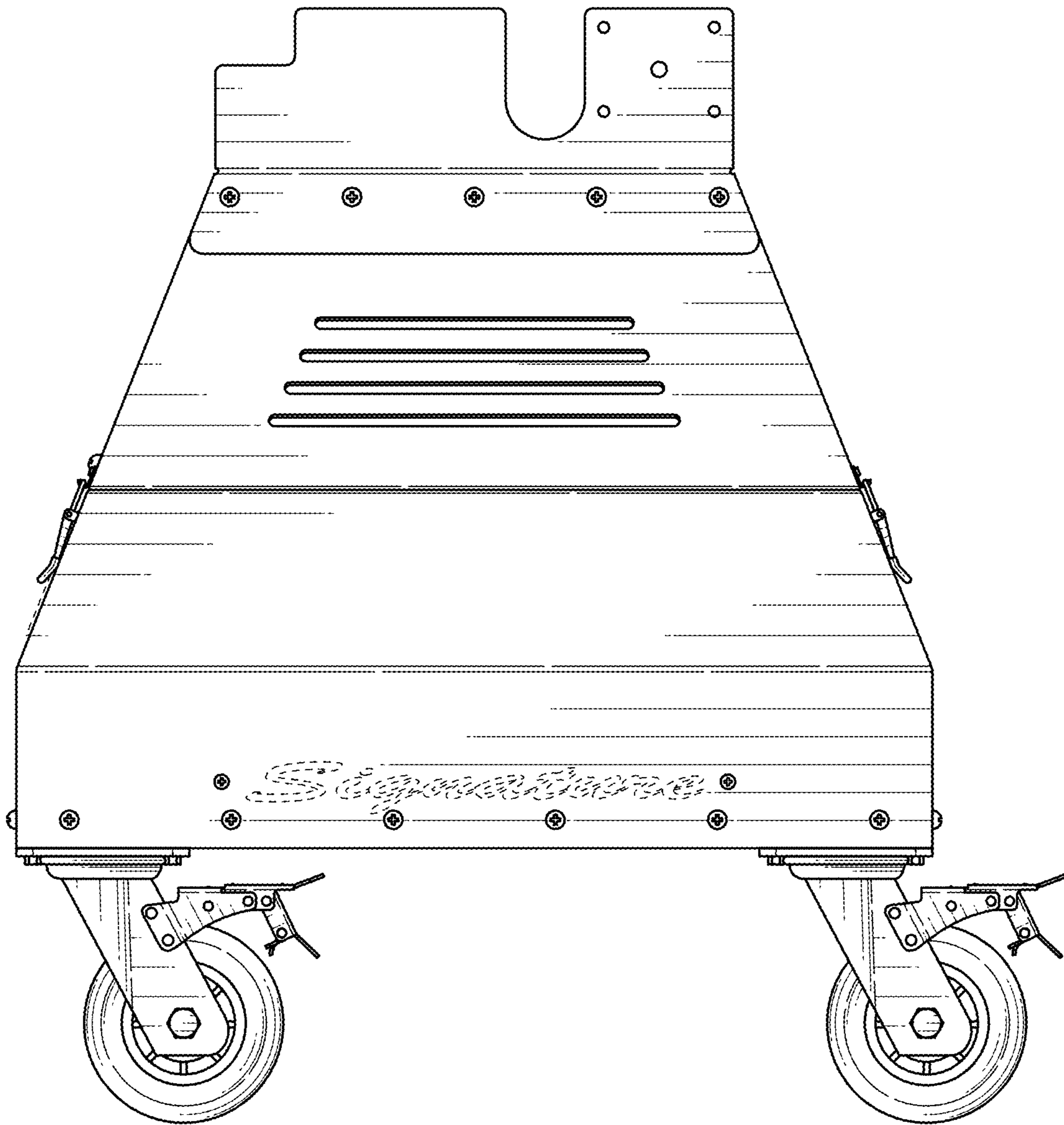


FIG. 6



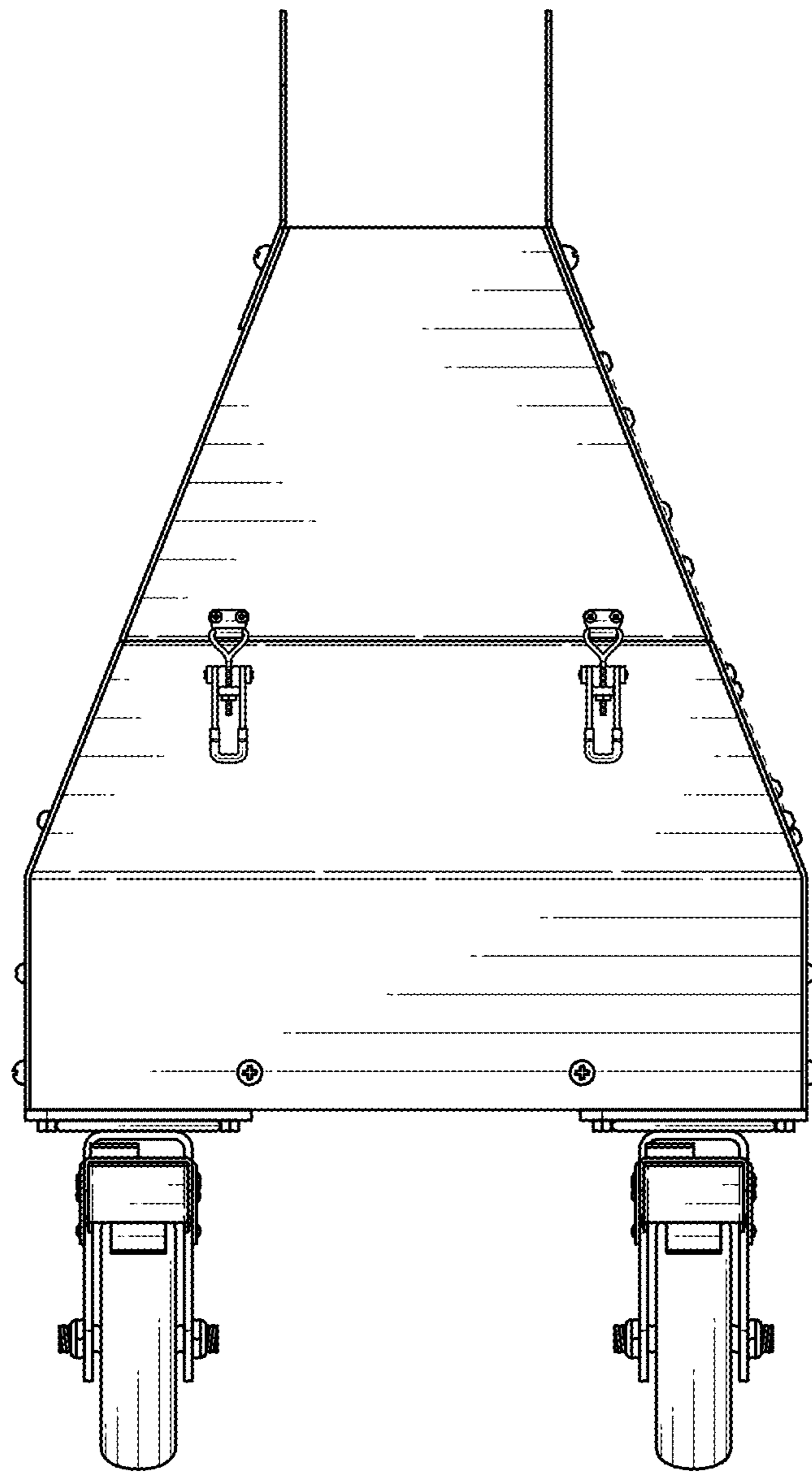


FIG. 7

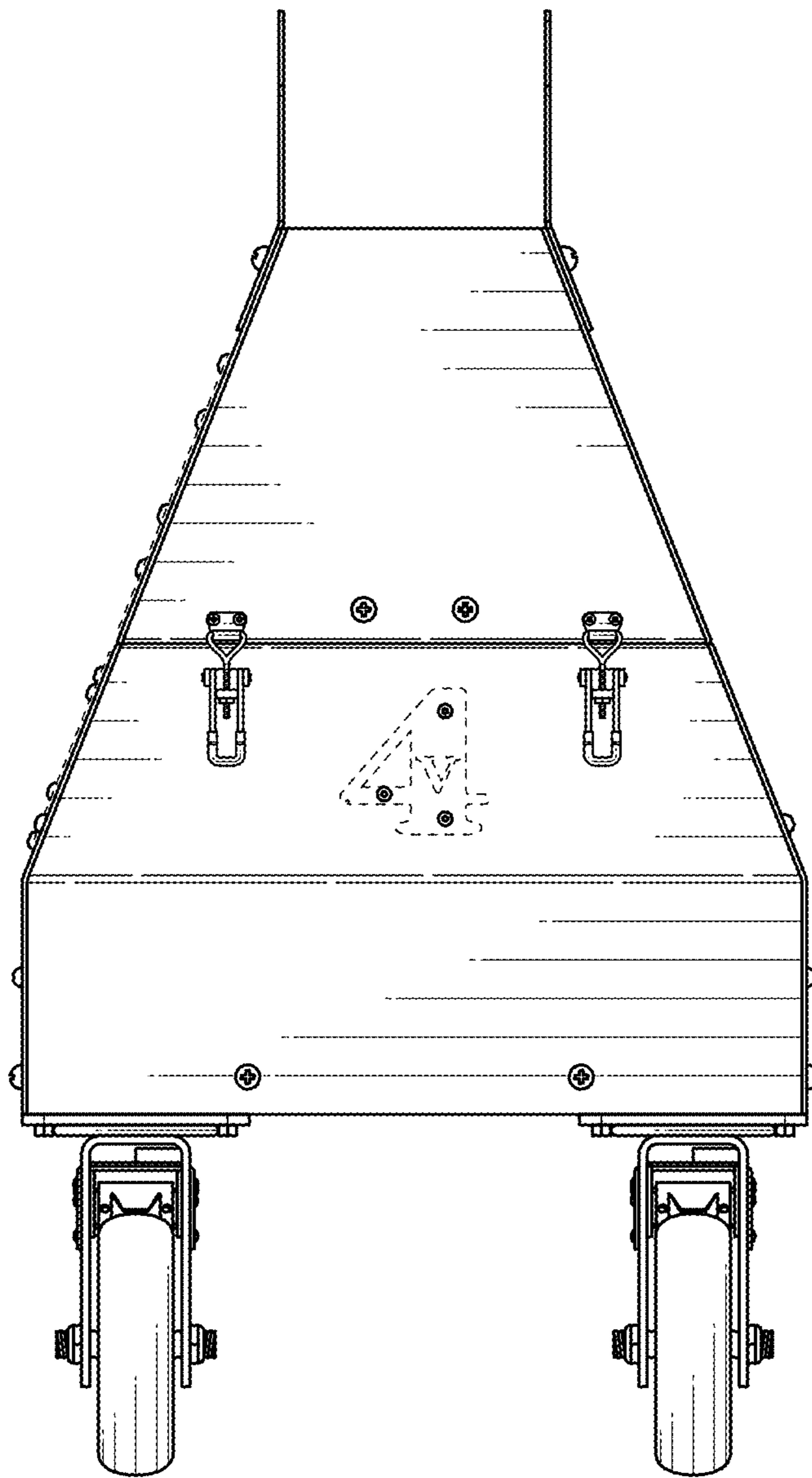


FIG. 8

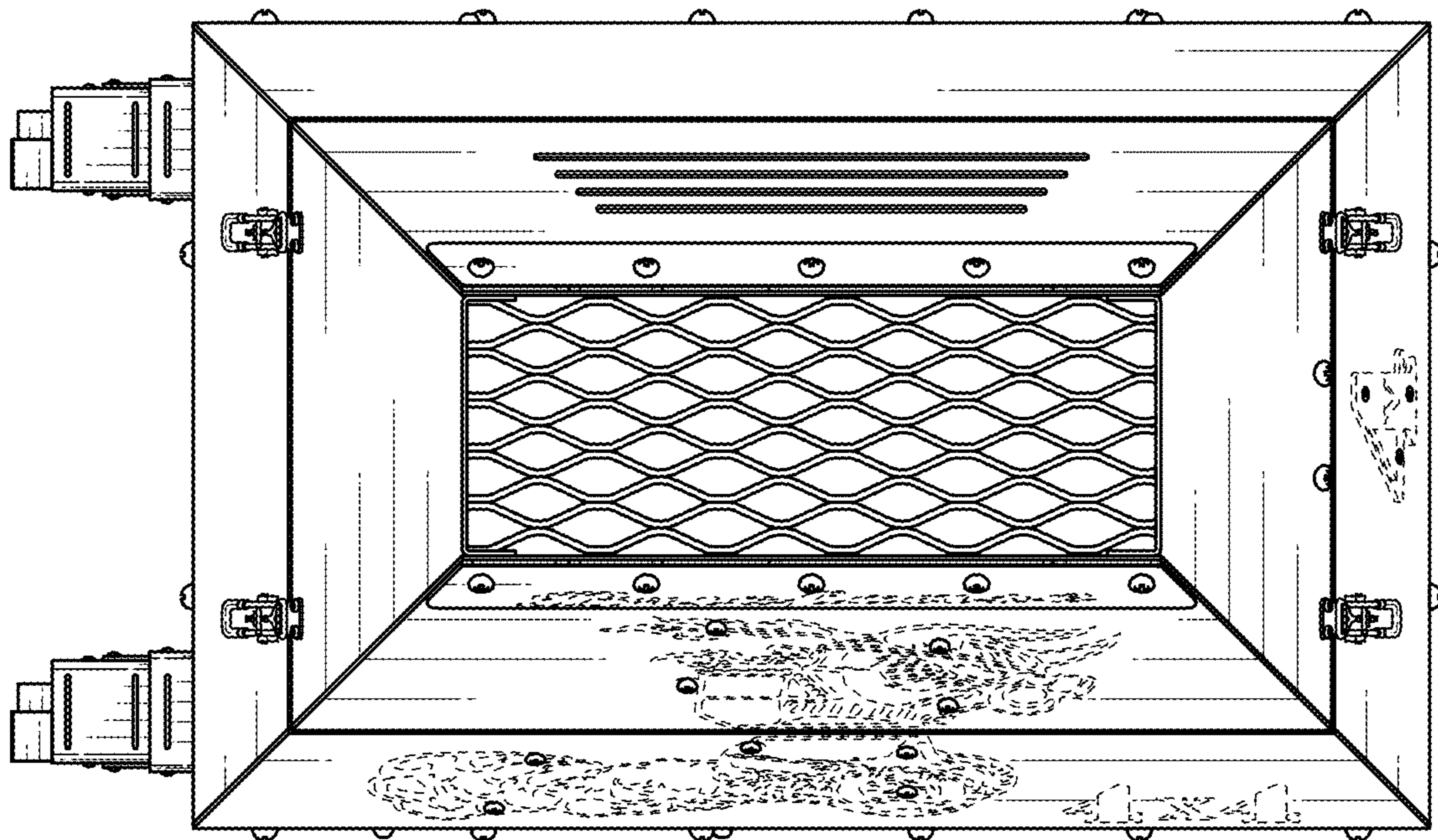


FIG. 9



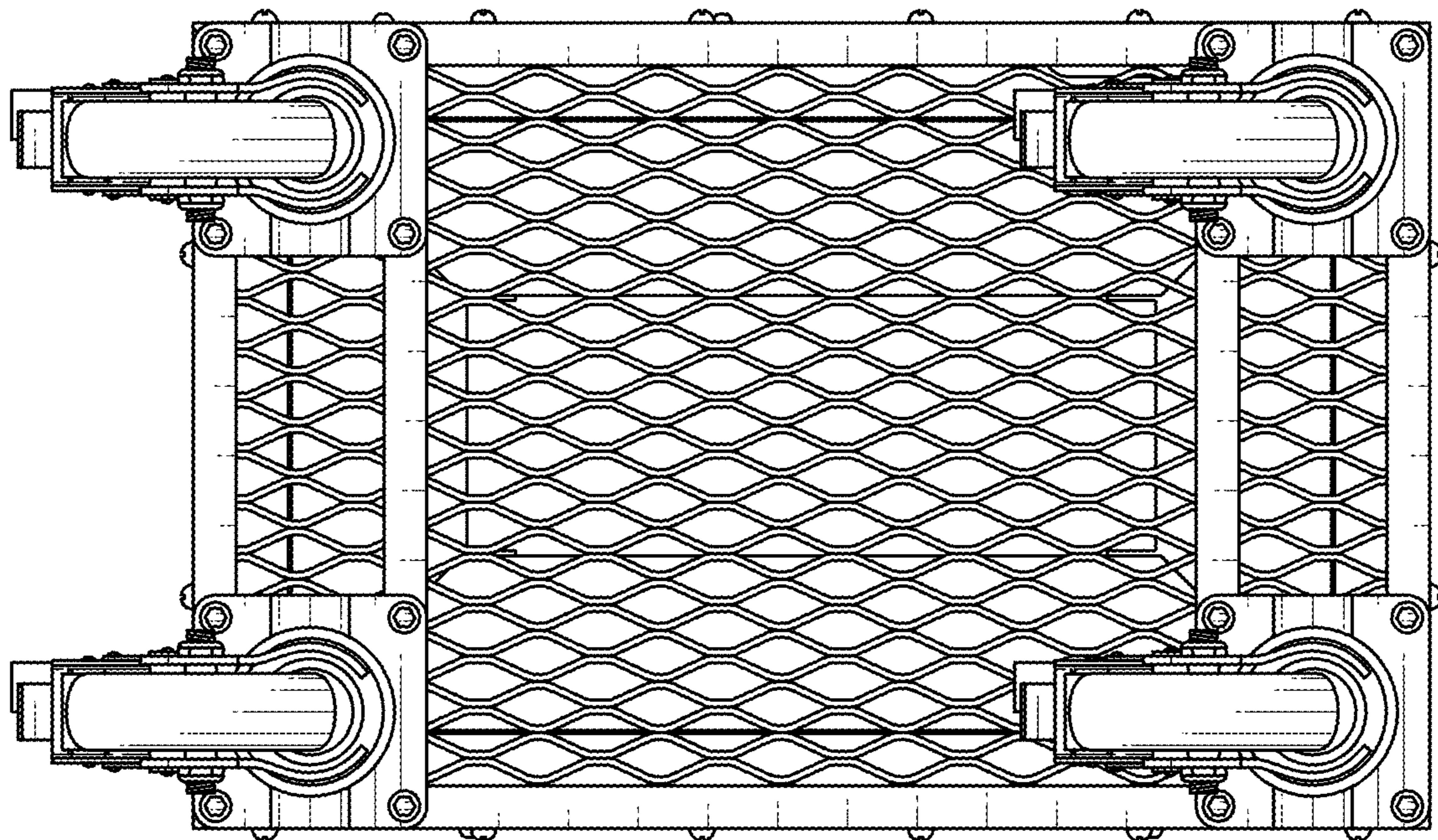


FIG. 10