



US00D96888S

(12) **United States Design Patent** (10) **Patent No.:** **US D968,888 S**
Weber (45) **Date of Patent:** **** Nov. 8, 2022**

- (54) **UNIBODY PORTAFILTER**
- (71) Applicant: **Strategic Exits LLC**, Incline Village, NV (US)
- (72) Inventor: **Douglas Weber**, Incline Village, NV (US)
- (73) Assignee: **Strategic Exits LLC**, Incline Village, NV (US)
- (**) Term: **15 Years**
- (21) Appl. No.: **29/832,259**
- (22) Filed: **Mar. 25, 2022**
- (51) **LOC (13) Cl.** **07-02**
- (52) **U.S. Cl.**
USPC **D7/400**
- (58) **Field of Classification Search**
USPC D7/300, 309, 311–313, 399, 400
CPC A47J 31/06; A47J 31/0657; A47J 31/0663;
A47J 31/0689; A47J 31/44; A47J 31/446
See application file for complete search history.

- (56) **References Cited**
U.S. PATENT DOCUMENTS
D360,802 S * 8/1995 Seiffert A47J 31/0663
D7/311
D393,568 S * 4/1998 Storsberg A47J 31/0684
D7/400
6,044,754 A * 4/2000 Fuentes A47J 31/0668
99/302 R
D449,200 S * 10/2001 Trazzi D7/311
D502,053 S * 2/2005 Bodum D7/400
D597,781 S * 8/2009 Siu A47J 31/0668
D7/311
D695,053 S * 12/2013 De Pra A47J 31/4492
D7/311
9,930,988 B2 * 4/2018 Chalk A47J 31/0684
10,881,240 B2 * 1/2021 Grassia A47J 31/38
10,906,070 B2 2/2021 Patton

- 11,006,777 B1 * 5/2021 Weber A47J 31/5251
- 2009/0260522 A1 10/2009 Brine
- 2013/0167734 A1 * 7/2013 La Rue, III A47J 31/0663
427/244
- 2014/0123860 A1 * 5/2014 Bodum A47J 31/0631
222/566

(Continued)

FOREIGN PATENT DOCUMENTS

- EM 000348347-0007 * 8/2005
- EP 1906798 8/2011

(Continued)

OTHER PUBLICATIONS

Firstenjoy, "58mm Bottomless Naked Portafilter," Jul. 23, 2021, Amazon.com, www.amazon.com/Bottomless-Portafilter-Breville-Espresso-BES990BSS/dp/B09B3B4345?th=1 (Year: 2021).*

(Continued)

Primary Examiner — Joseph Kukella
Assistant Examiner — Arva P Adams
(74) *Attorney, Agent, or Firm* — Todd R. Miller

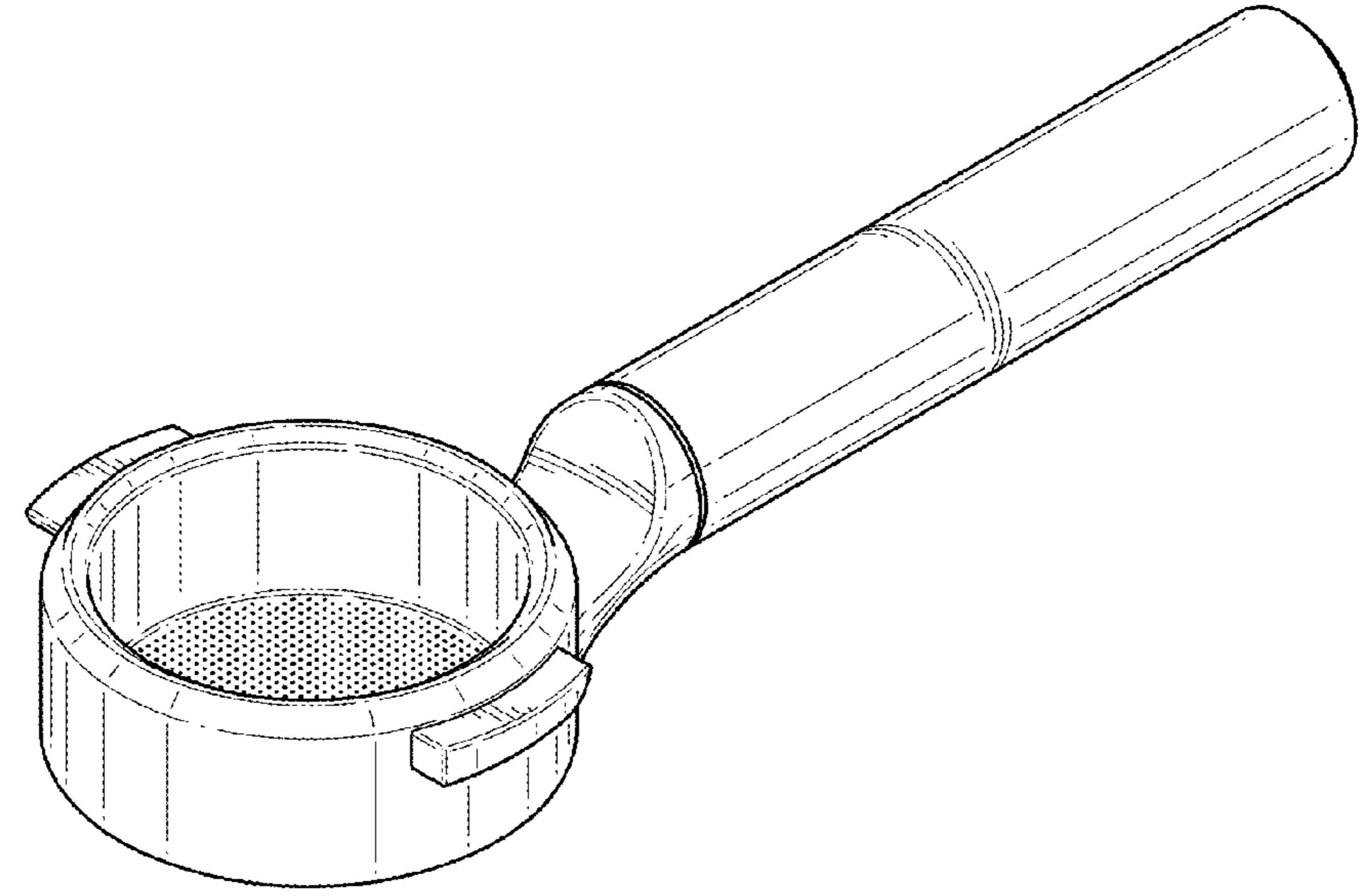
(57) **CLAIM**

The ornamental design for a unibody portafilter, as shown and described.

DESCRIPTION

FIG. 1 is a front perspective view of a unibody portafilter showing my new design.
FIG. 2 is a rear perspective view thereof;
FIG. 3 is a left side view thereof;
FIG. 4 is a right side view thereof;
FIG. 5 is a rear view thereof;
FIG. 6 is a front view thereof;
FIG. 7 is a top view thereof; and,
FIG. 8 is a bottom view thereof.

1 Claim, 3 Drawing Sheets



(56)

References Cited

U.S. PATENT DOCUMENTS

2020/0154936 A1 5/2020 Almagor
2020/0275806 A1 9/2020 Ebstein
2021/0022542 A1* 1/2021 Rossetto A47J 31/0663

FOREIGN PATENT DOCUMENTS

EP 3019057 9/2018
GB 9004544351-0001 * 12/2017
WO WO-2014028963 A1 * 2/2014 A47J 31/06

OTHER PUBLICATIONS

Awarenessd, "Bottomless Portafilter 58mm," Mar. 1, 2021, Amazon.com, www.amazon.com/Bottomless-Portafilter-Breville-Detachable-Stainless/dp/B08XX56W5W?th=1 (Year: 2021).*

Bryman, Howard, "Weber Unveils The Unifilter, a Single Protafilter/Basket Combo," Apr. 7, 2022, Daily Coffee News, <https://dailycoffeenews.com/2022/04/07/weber-unveils-the-unifilter-a-single-portafilter-basket-combo/> (Year: 2022).*

amazon.com, Mar. 24, 2022, <https://www.amazon.com/portafilters?k=portafilter>.

beveragefactory.com, Mar. 24, 2022, https://www.beveragefactory.com/resources2/coffee_tea/buying_guides/espresso-guides/portafilters.shtml.

seattlecoffeegear.com, Mar. 24, 2022, <https://www.seattlecoffeegear.com/shop-gear/accessories/portafilters>.

wholelattelove.com, Mar. 24, 2021, <https://www.wholelattelove.com/collections/portafilters-and-filter-baskets>.

* cited by examiner

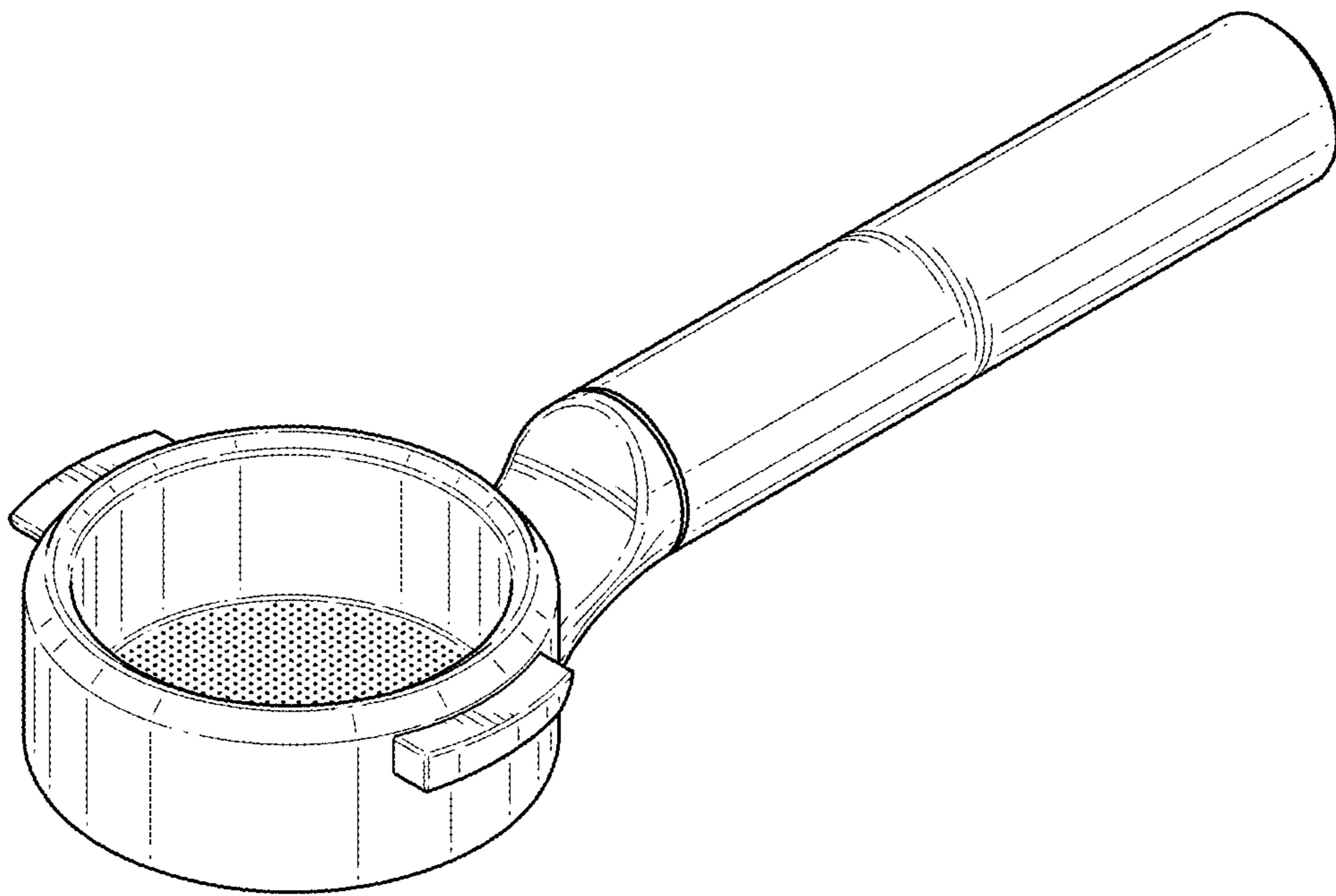


FIG. 1

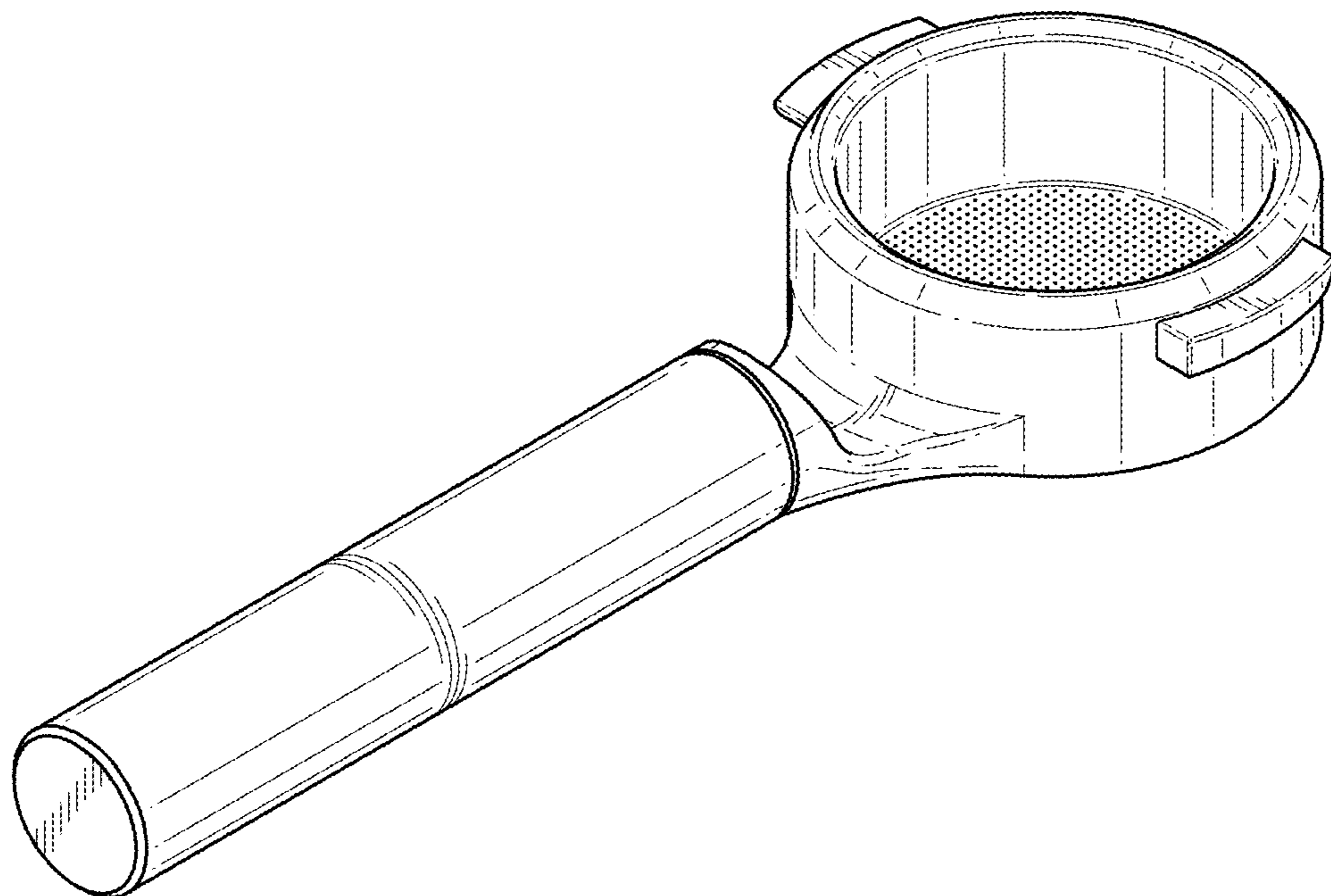


FIG. 2

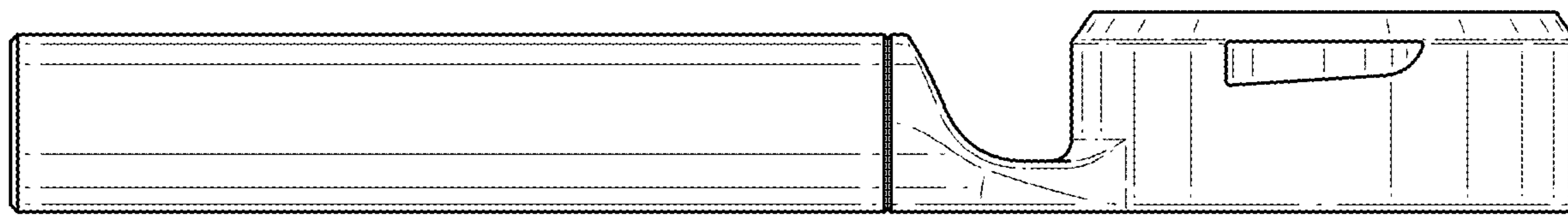


FIG. 3

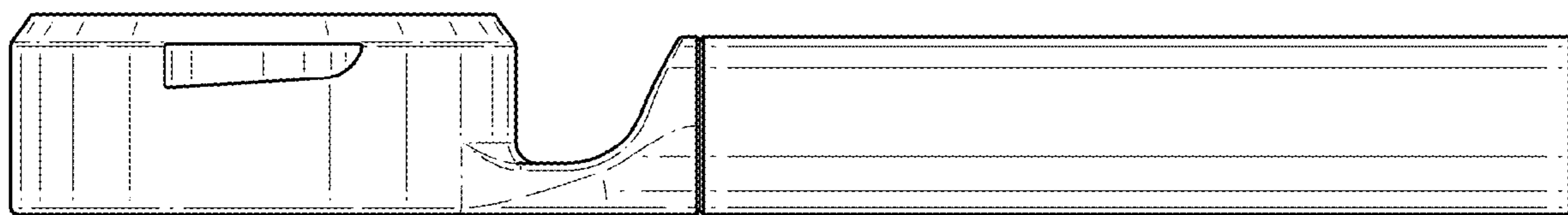


FIG. 4

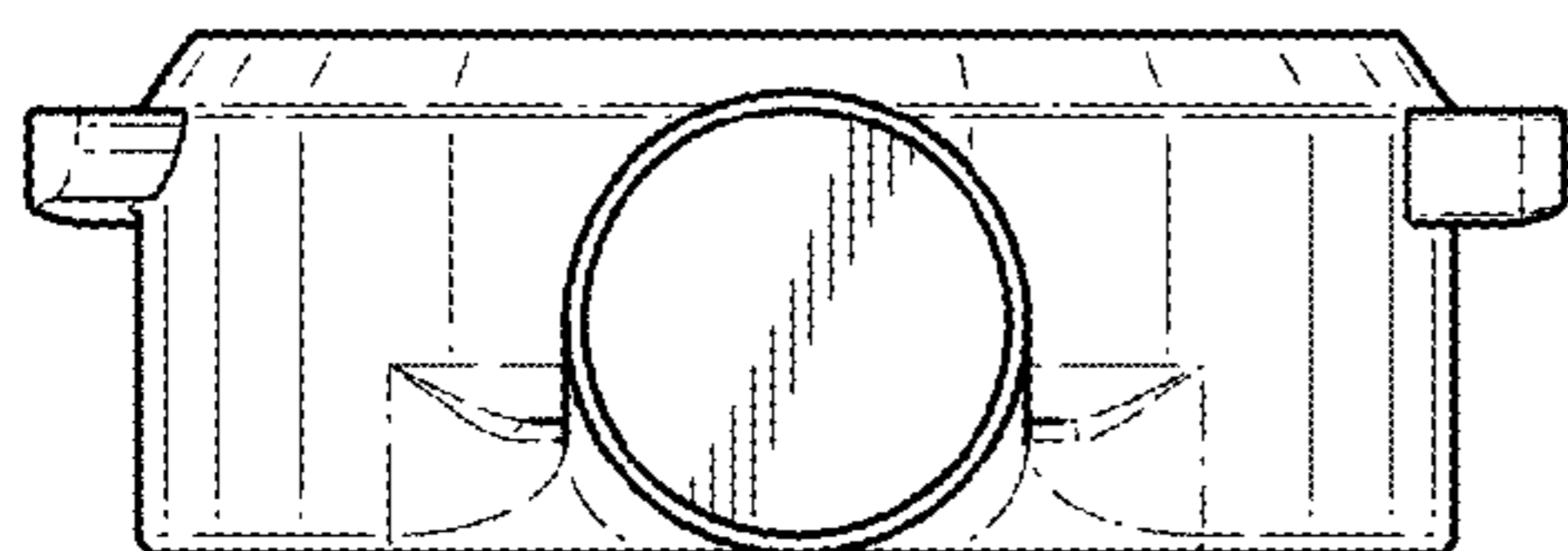


FIG. 5

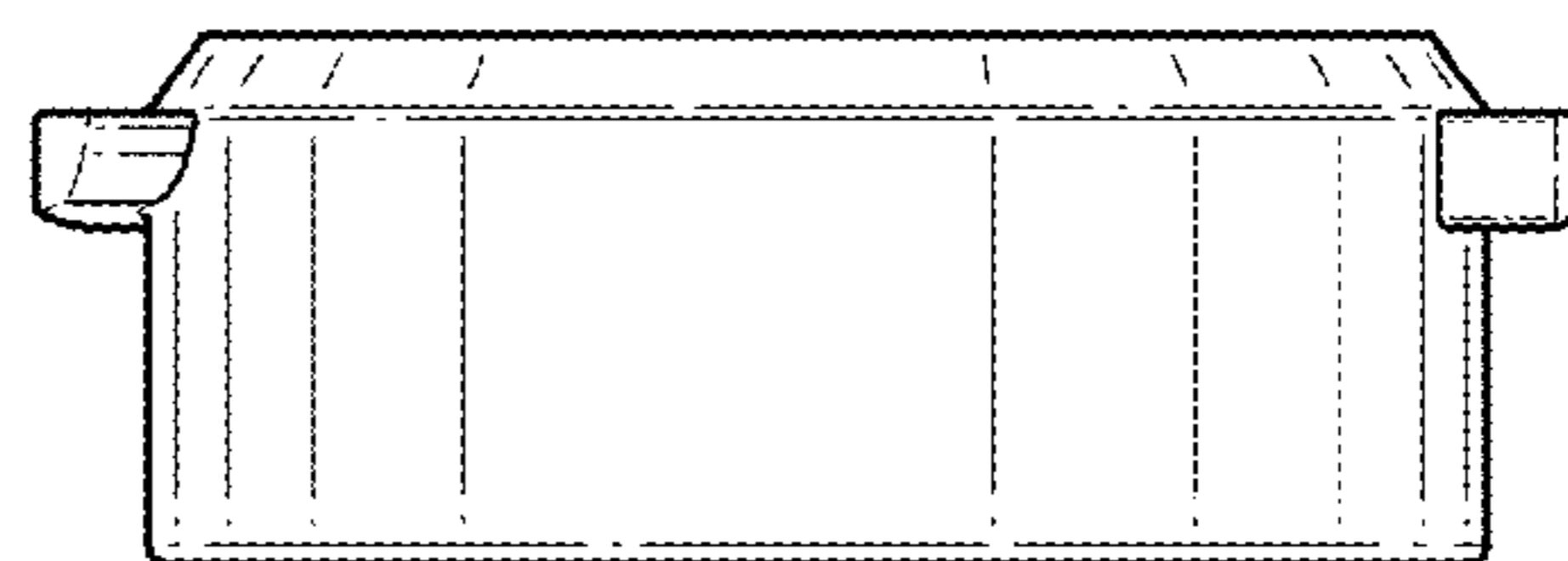


FIG. 6

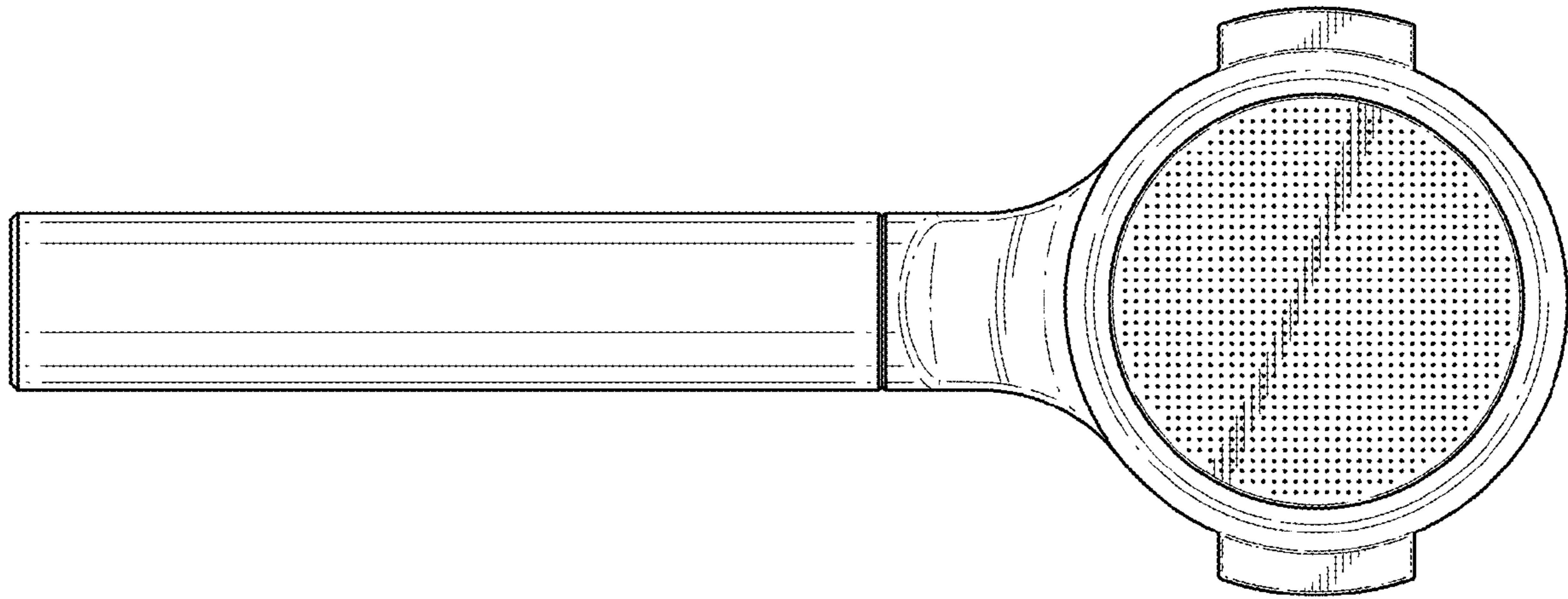


FIG. 7

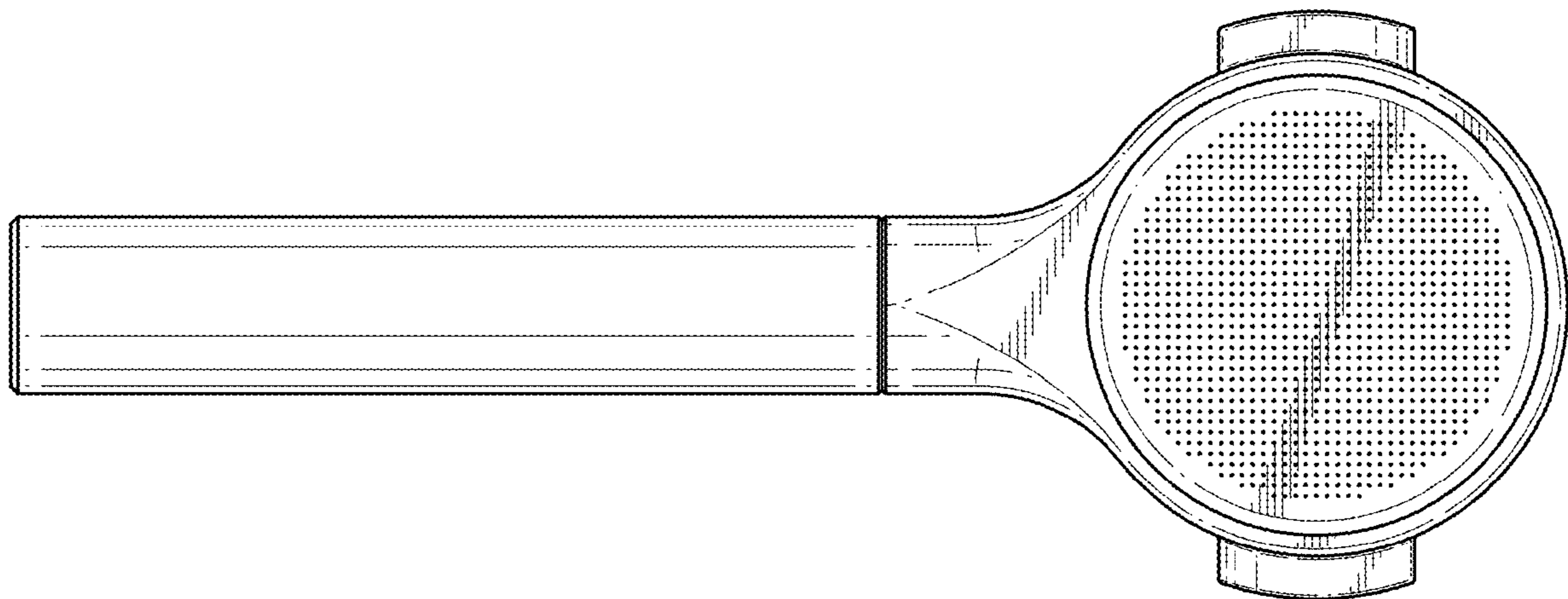


FIG. 8