



US00D968887S

(12) **United States Design Patent** (10) **Patent No.:** **US D968,887 S**
Huang (45) **Date of Patent:** **** Nov. 8, 2022**

(54) **COFFEE CAPSULE**
(71) Applicant: **Jian Huang**, Shenzhen (CN)
(72) Inventor: **Jian Huang**, Shenzhen (CN)
(**) Term: **15 Years**
(21) Appl. No.: **29/732,973**
(22) Filed: **Apr. 29, 2020**
(51) **LOC (13) Cl.** **07-06**
(52) **U.S. Cl.**
USPC **D7/400**
(58) **Field of Classification Search**
USPC D7/397, 399, 400, 401, 538, 540, 601,
D7/602, 630; D9/738, 761, 549
CPC B65D 1/46; B65D 1/34; B65D 83/0445;
B65D 83/048; B65D 3/06; B65D 3/28;
B65D 77/245; B65D 81/3869; B65D
2543/00092; B65D 85/78; B65D
2543/00046
See application file for complete search history.

(56) **References Cited**
U.S. PATENT DOCUMENTS
D606,363 S * 12/2009 Aardenburg D7/400
D664,003 S * 7/2012 Nagoya D7/400
D703,035 S * 4/2014 Zanetti D9/416
D716,648 S * 11/2014 Tan D9/416
D727,141 S * 4/2015 Mastropasqua D9/416

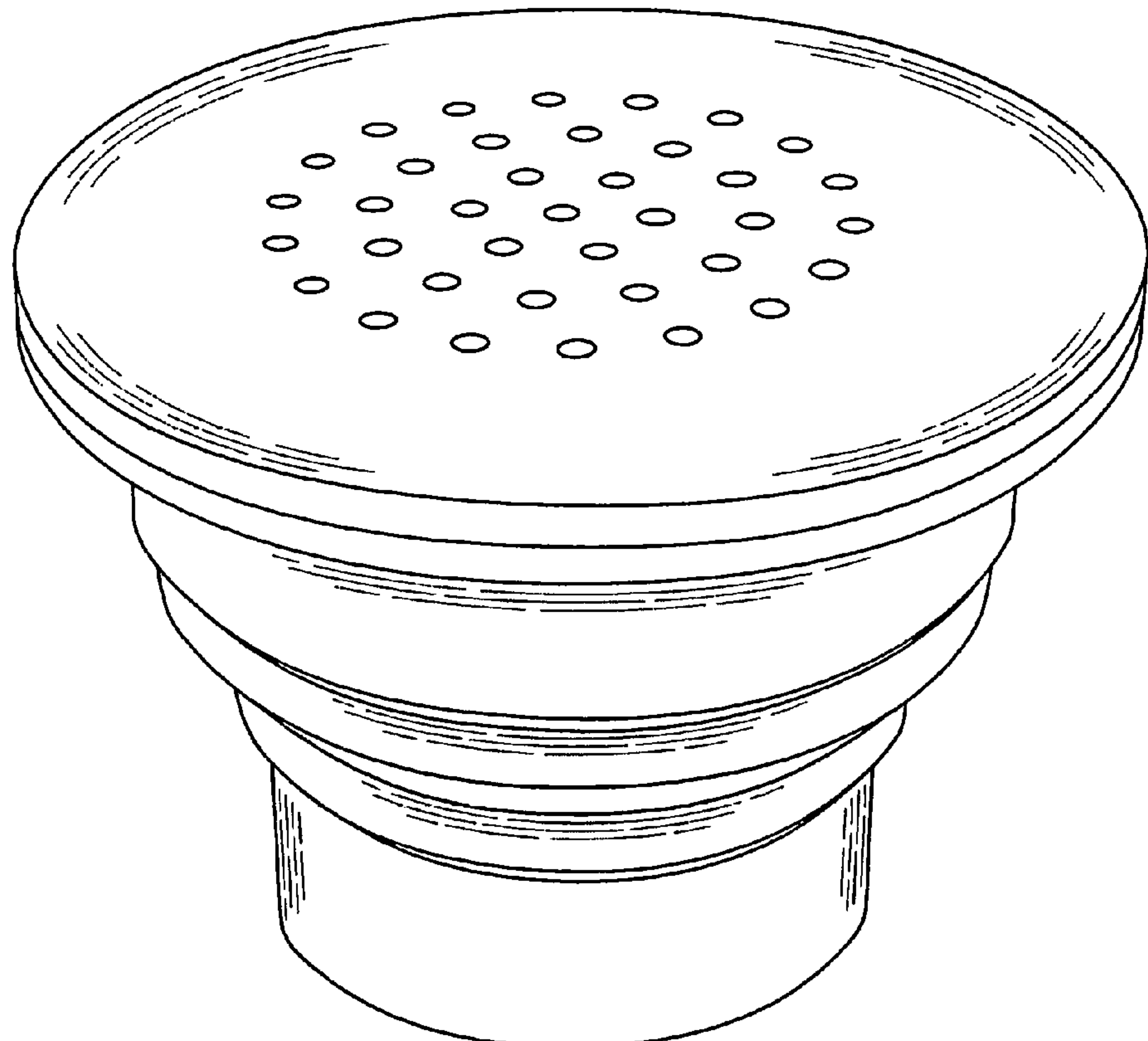
D734,985 S * 7/2015 Furia D9/425
D788,577 S * 6/2017 Schaudé D9/416
D864,707 S * 10/2019 Valsecchi D9/416
D880,289 S * 4/2020 Valsecchi D9/416
D920,097 S * 5/2021 Rapparini D9/428
D938,817 S * 12/2021 Gort-Barten D9/416
2013/0136828 A1* 5/2013 Anghileri B65D 65/466
426/112
2014/0205721 A1* 7/2014 Orsi B65D 85/8043
426/115
2016/0362246 A1* 12/2016 Garcin A23F 5/262

* cited by examiner
Primary Examiner — Andrew Kerr

(57) **CLAIM**
The ornamental design for a coffee capsule, as shown and described.

DESCRIPTION
FIG. 1 is a perspective view of a coffee capsule showing my new design;
FIG. 2 is a front elevation view thereof;
FIG. 3 is a rear elevation view thereof;
FIG. 4 is a left side elevation view thereof;
FIG. 5 is a right side elevation view thereof;
FIG. 6 is a top plan view thereof;
FIG. 7 is a bottom plan view thereof; and,
FIG. 8 is an exploded view thereof.
The broken lines in the drawings depict portions of the coffee capsule that form no part of the claimed design.

1 Claim, 8 Drawing Sheets



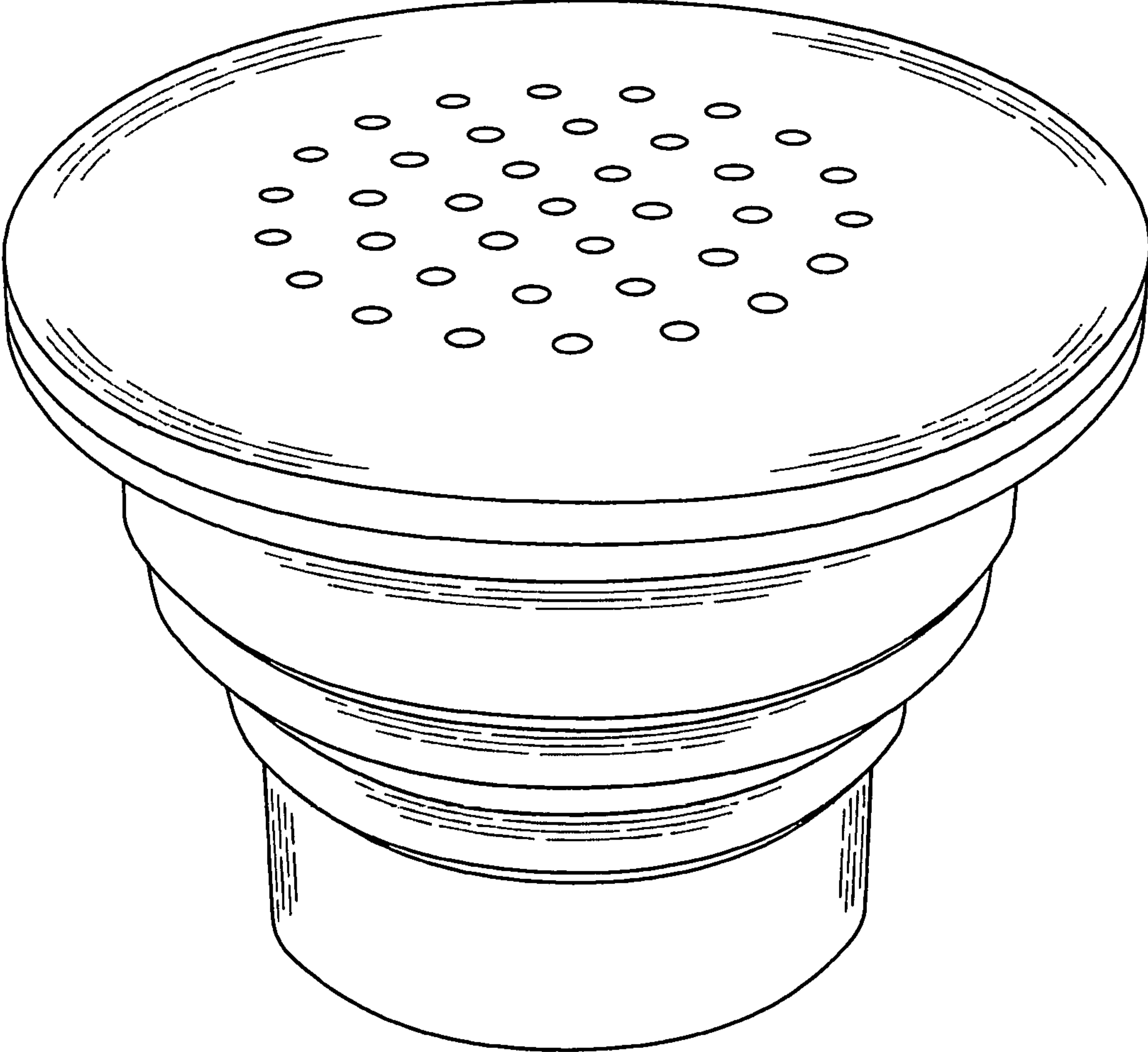


FIG. 1

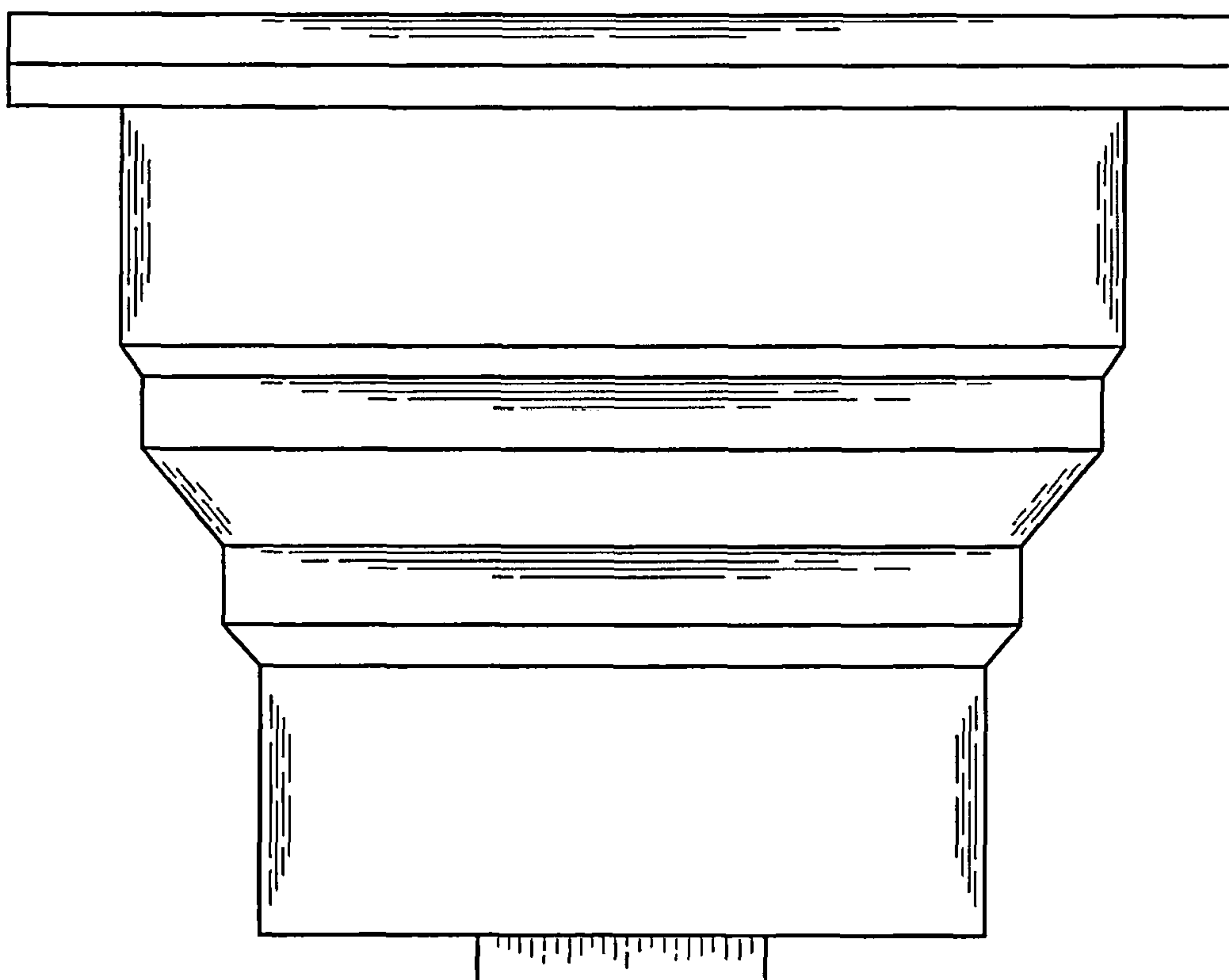


FIG. 2

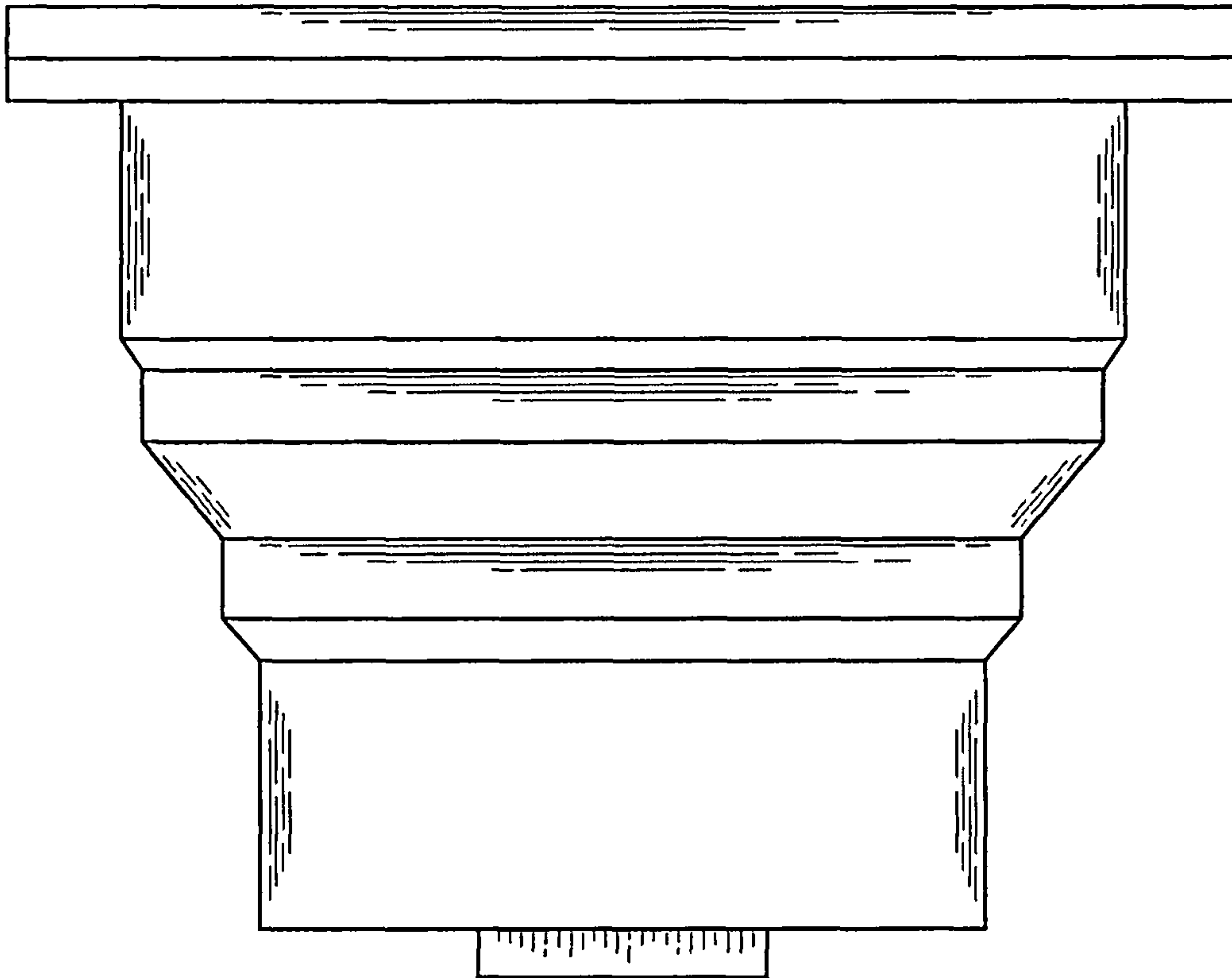


FIG. 3

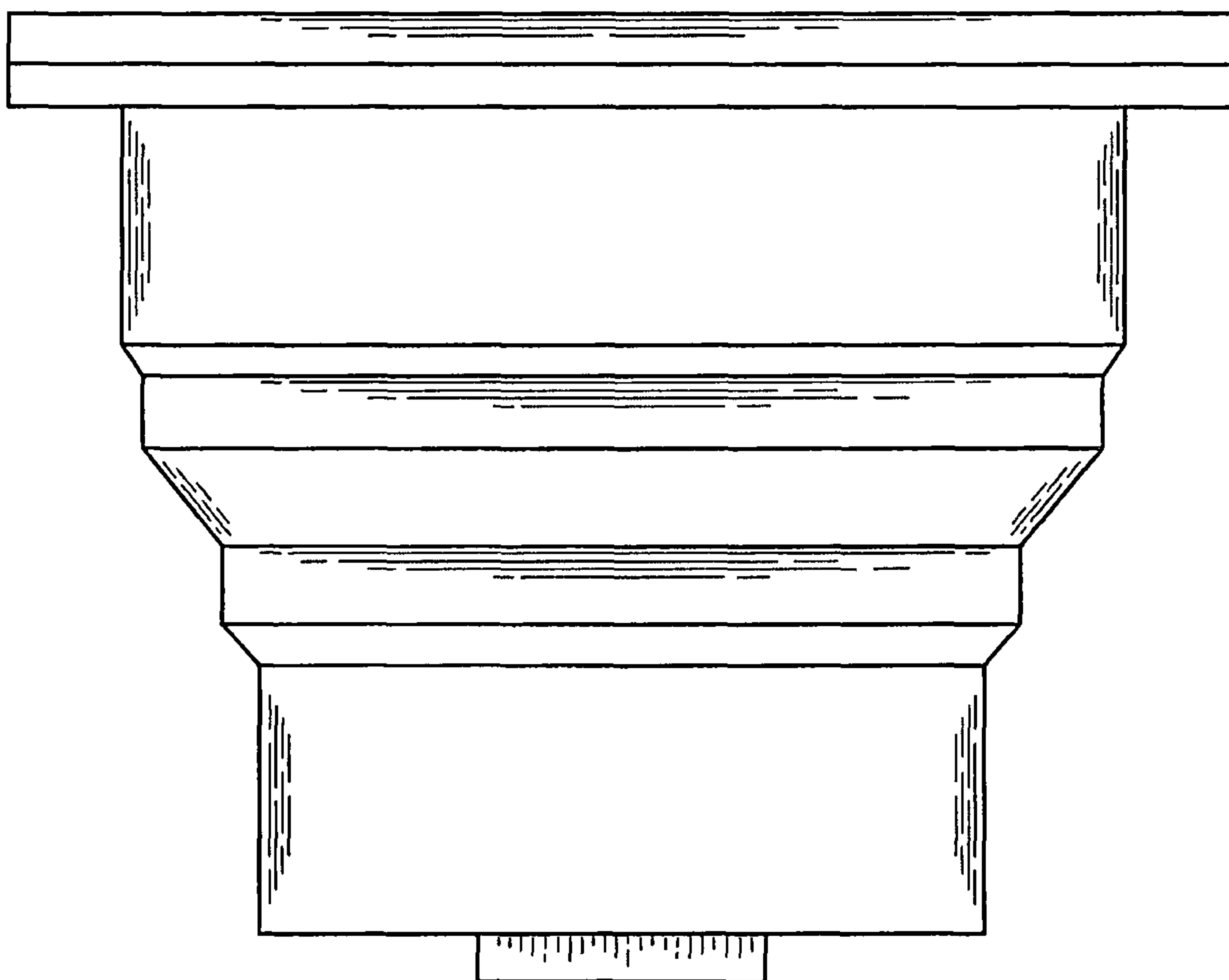


FIG. 4

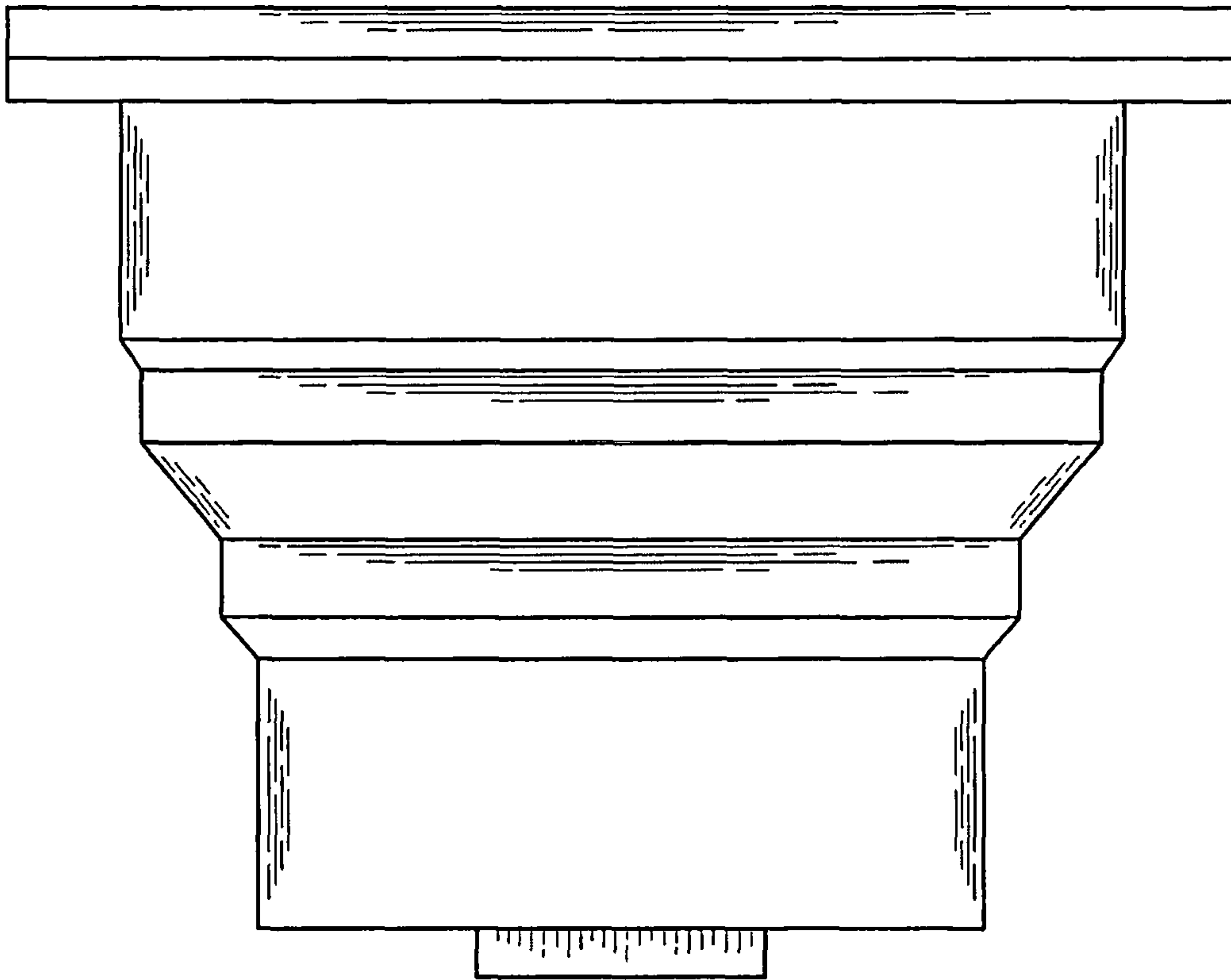


FIG. 5

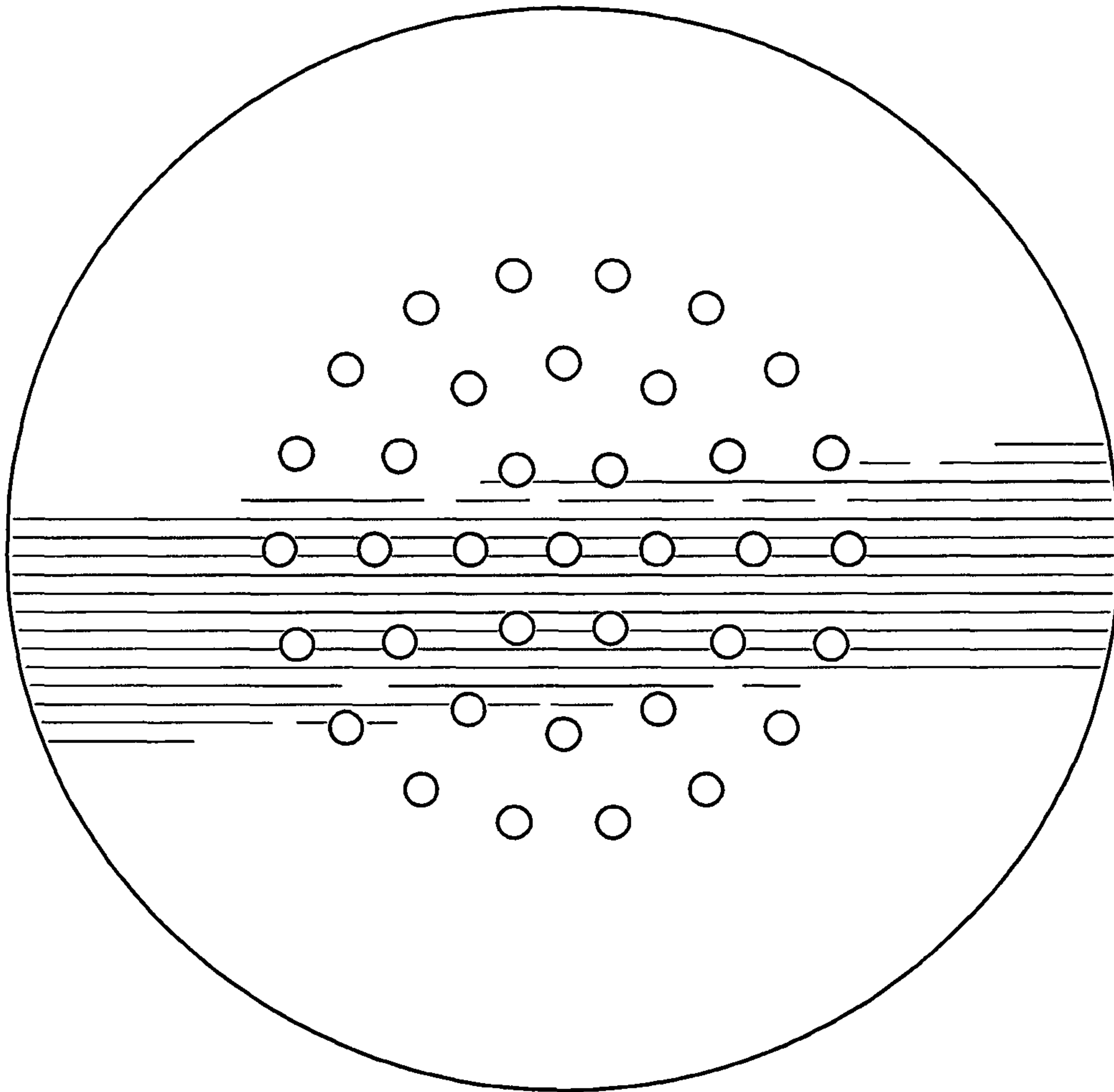


FIG. 6

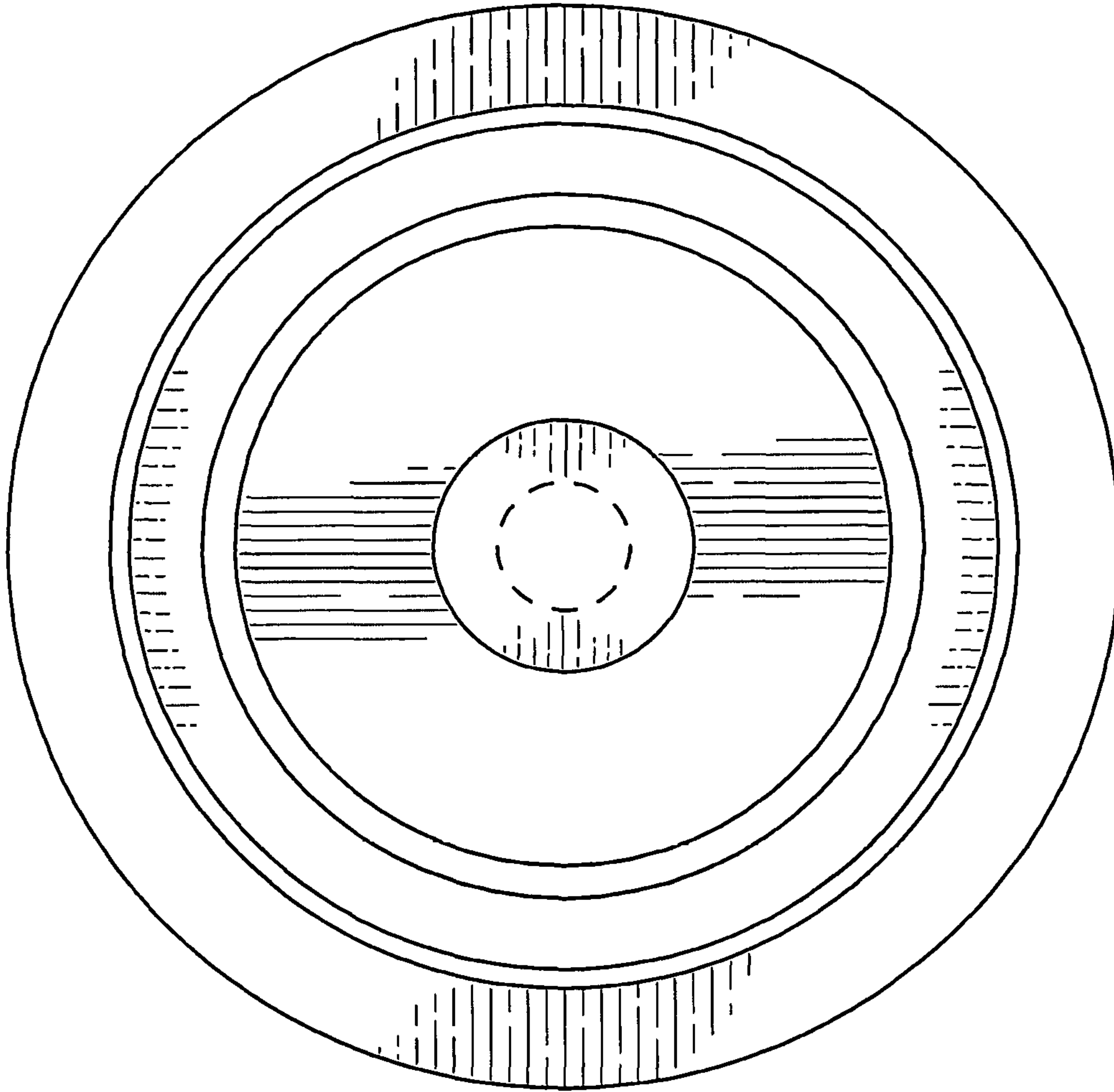


FIG. 7

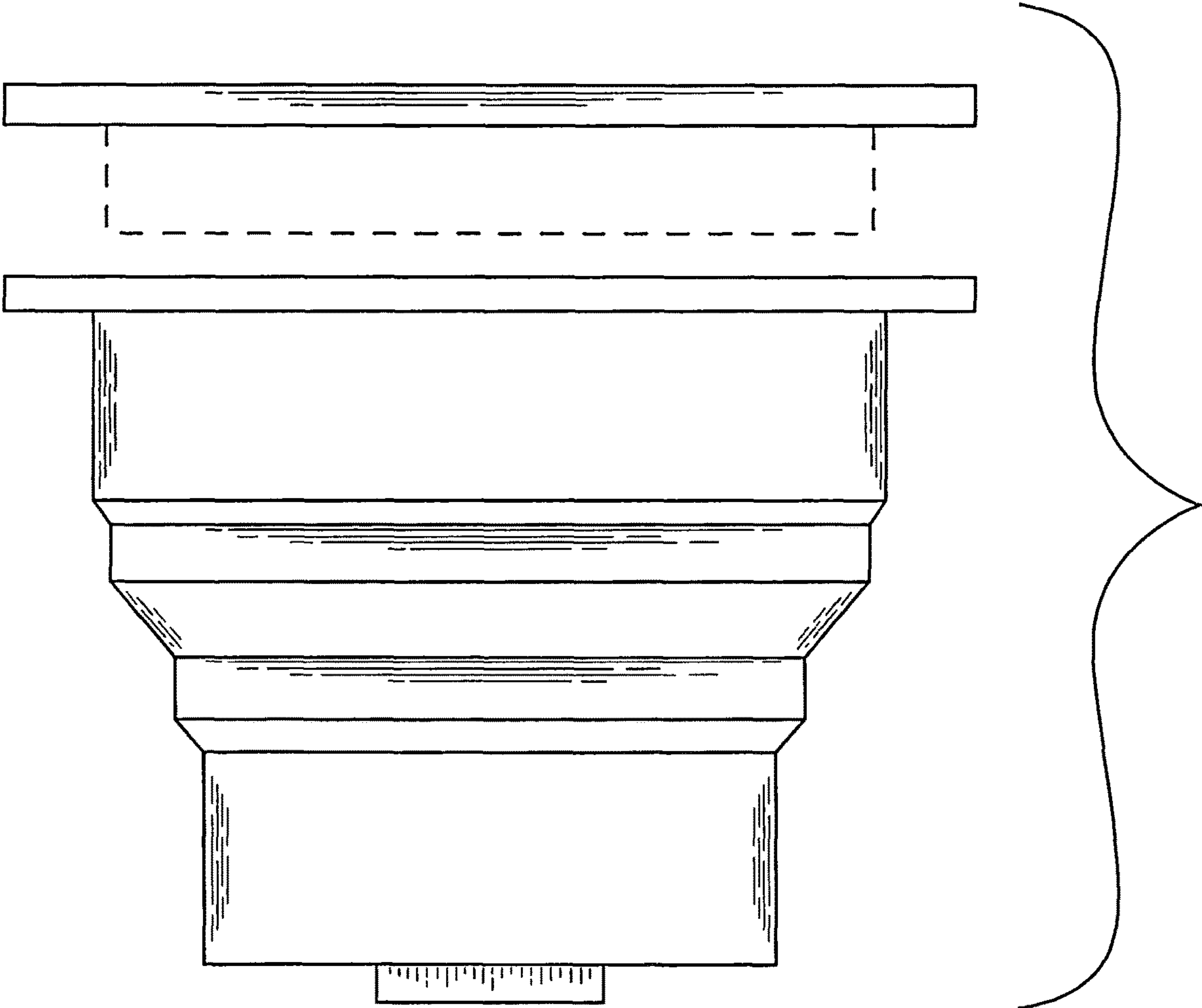


FIG. 8