



US00D968886S

(12) **United States Design Patent**  
**Ke**

(10) **Patent No.:** **US D968,886 S**

(45) **Date of Patent:** **\*\* Nov. 8, 2022**

(54) **CUP LID**

(71) Applicant: **Haili Ke**, Taizhou (CN)

(72) Inventor: **Haili Ke**, Taizhou (CN)

(\*\*) Term: **15 Years**

(21) Appl. No.: **29/831,846**

(22) Filed: **Mar. 23, 2022**

(30) **Foreign Application Priority Data**

Dec. 7, 2021 (CN) ..... 202130807404.2

(51) **LOC (13) Cl.** ..... **07-02**

(52) **U.S. Cl.**  
USPC ..... **D7/392.1**; D9/443; D7/396.2

(58) **Field of Classification Search**  
USPC ..... D7/392, 392.1, 619.1, 507, 509-511;  
D9/443, 439, 440, 435, 531  
CPC . A47G 19/2272; B65D 83/205; B65D 83/206  
See application file for complete search history.

(56) **References Cited**

**U.S. PATENT DOCUMENTS**

D853,181 S	*	7/2019	Stanton	.....	D7/392.1
D896,024 S	*	9/2020	Wang	.....	D9/449
D896,574 S	*	9/2020	Wang	.....	D9/450
D927,249 S		8/2021	Huang		
D927,974 S		8/2021	Lubbe		
D941,629 S	*	1/2022	Zhou	.....	D7/392.1
D942,212 S	*	2/2022	Zhou	.....	D7/392.1
D947,597 S	*	4/2022	Shi	.....	D7/392.1
D951,701 S	*	5/2022	Zhang	.....	D7/392.1

**OTHER PUBLICATIONS**

Amazon website, Jiaqi 64OZ Glass Water Bottle with Straw and Handle Lid, Date first available on Amazon Jul. 5, 2022, [site visited Sep. 19, 2022], Available on the Internet URL [www.amazon.com/Bottles-Handle-Reusable-Suitable-outdoor/dp/B0B5T1RSR7](http://www.amazon.com/Bottles-Handle-Reusable-Suitable-outdoor/dp/B0B5T1RSR7) (Year: 2022).\*

Amazon website, 64OZ Glass Water Bottle with Straw and Handle Lid, Date first available on Amazon Dec. 22, 2021. [site visited Sep. 19, 2022], Available on the Internet URL [www.amazon.com/Storage-Reusable-Motivational-Leakproof-BPA-Free/dp/B09NZNRHGV](http://www.amazon.com/Storage-Reusable-Motivational-Leakproof-BPA-Free/dp/B09NZNRHGV) (Year: 2021).\*

\* cited by examiner

*Primary Examiner* — S. Bryan Reinholdt, Jr.

(74) *Attorney, Agent, or Firm* — ScienBiziP, P.C.

(57) **CLAIM**

The ornamental design for a cup lid, as shown and described.

**DESCRIPTION**

FIG. 1 is a front, right and top perspective view of a cup lid, showing my design.

FIG. 2 is a rear, left and bottom perspective view thereof.

FIG. 3 is a front elevation view thereof.

FIG. 4 is a rear elevation view thereof.

FIG. 5 is a left side elevation view thereof.

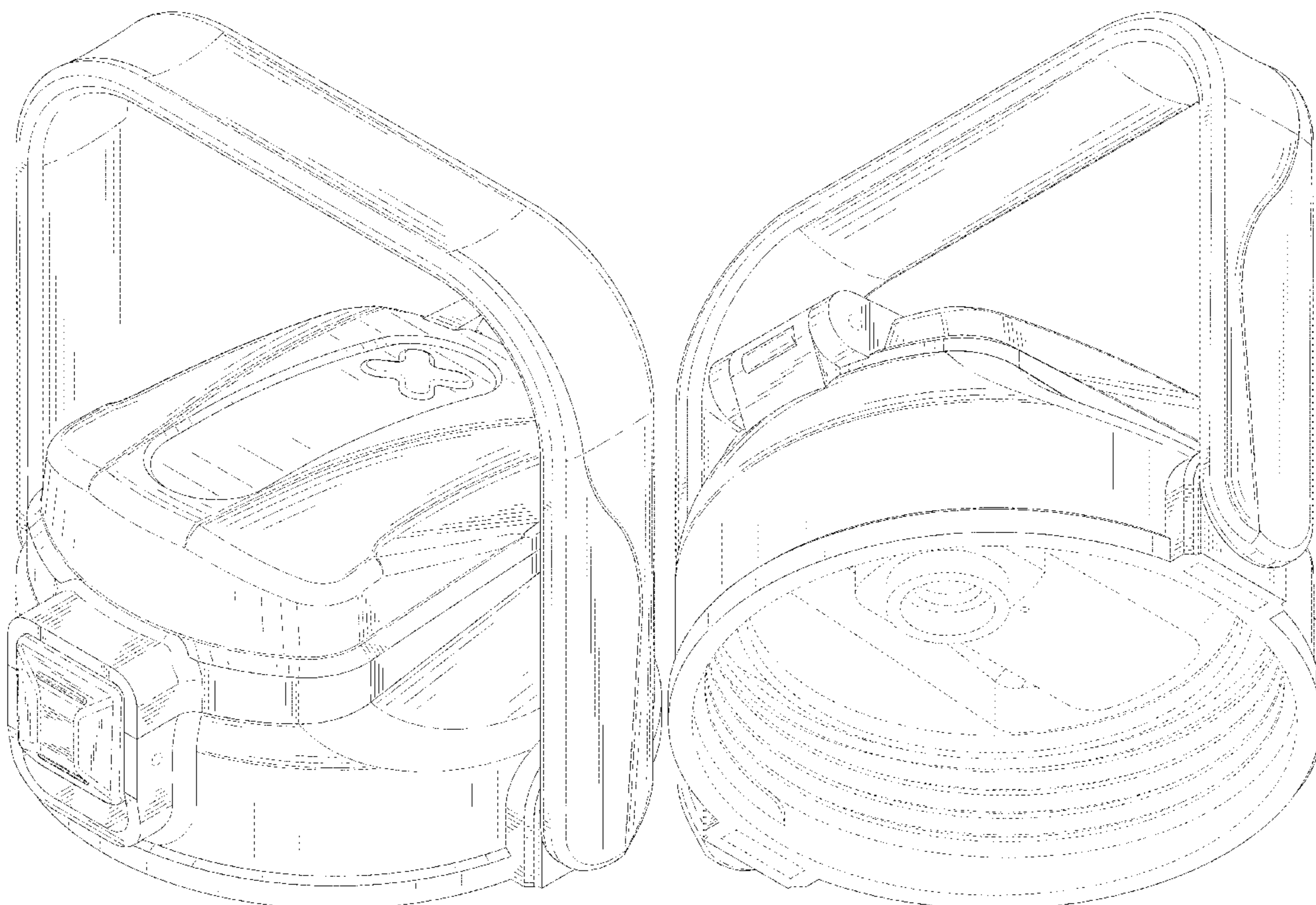
FIG. 6 is a right side elevation view thereof.

FIG. 7 is a top plan view thereof; and,

FIG. 8 is a bottom plan view thereof.

The broken lines in the drawings depict portions of the cup lid that form no part of the claimed design.

**1 Claim, 8 Drawing Sheets**



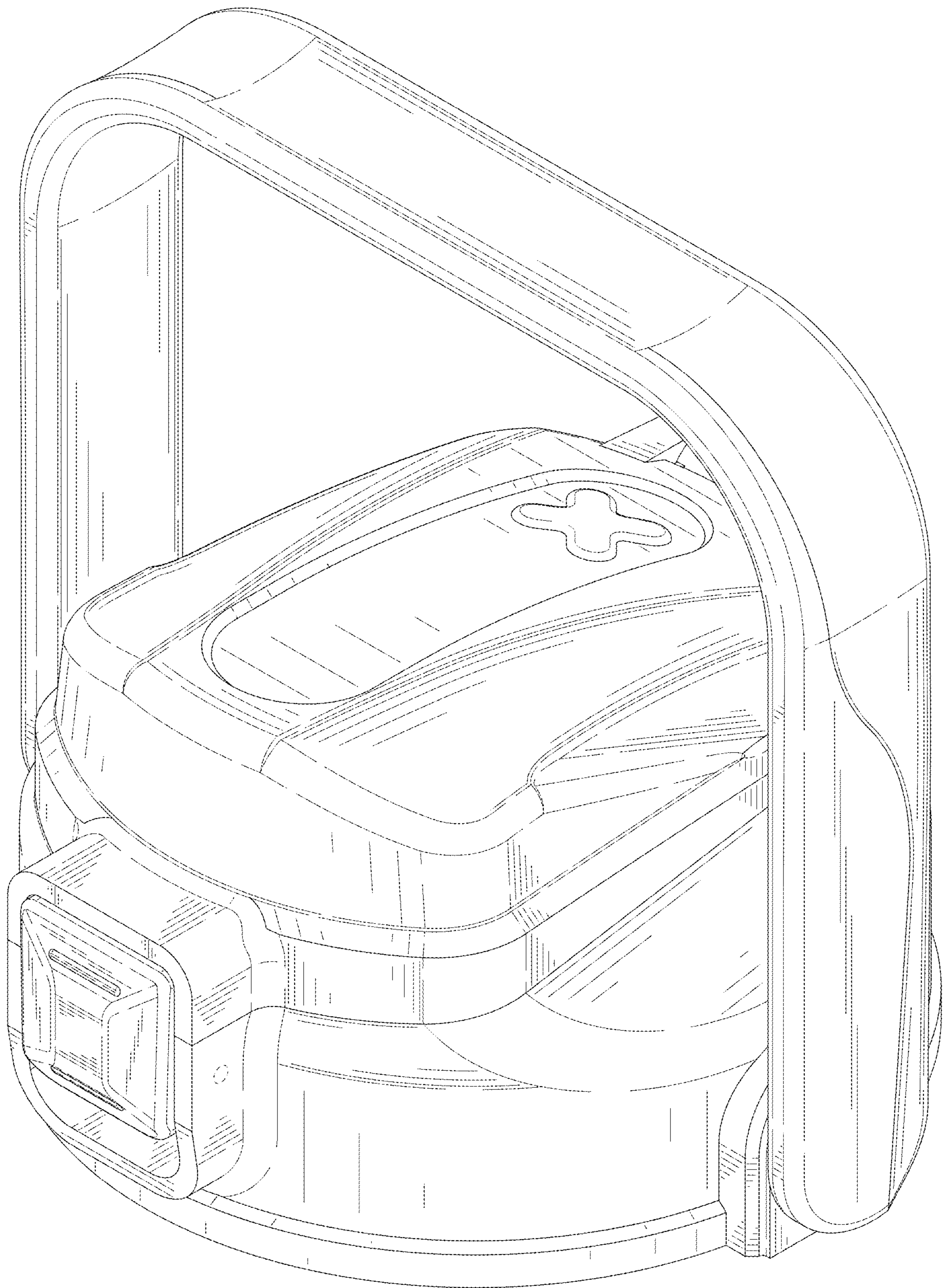


FIG. 1

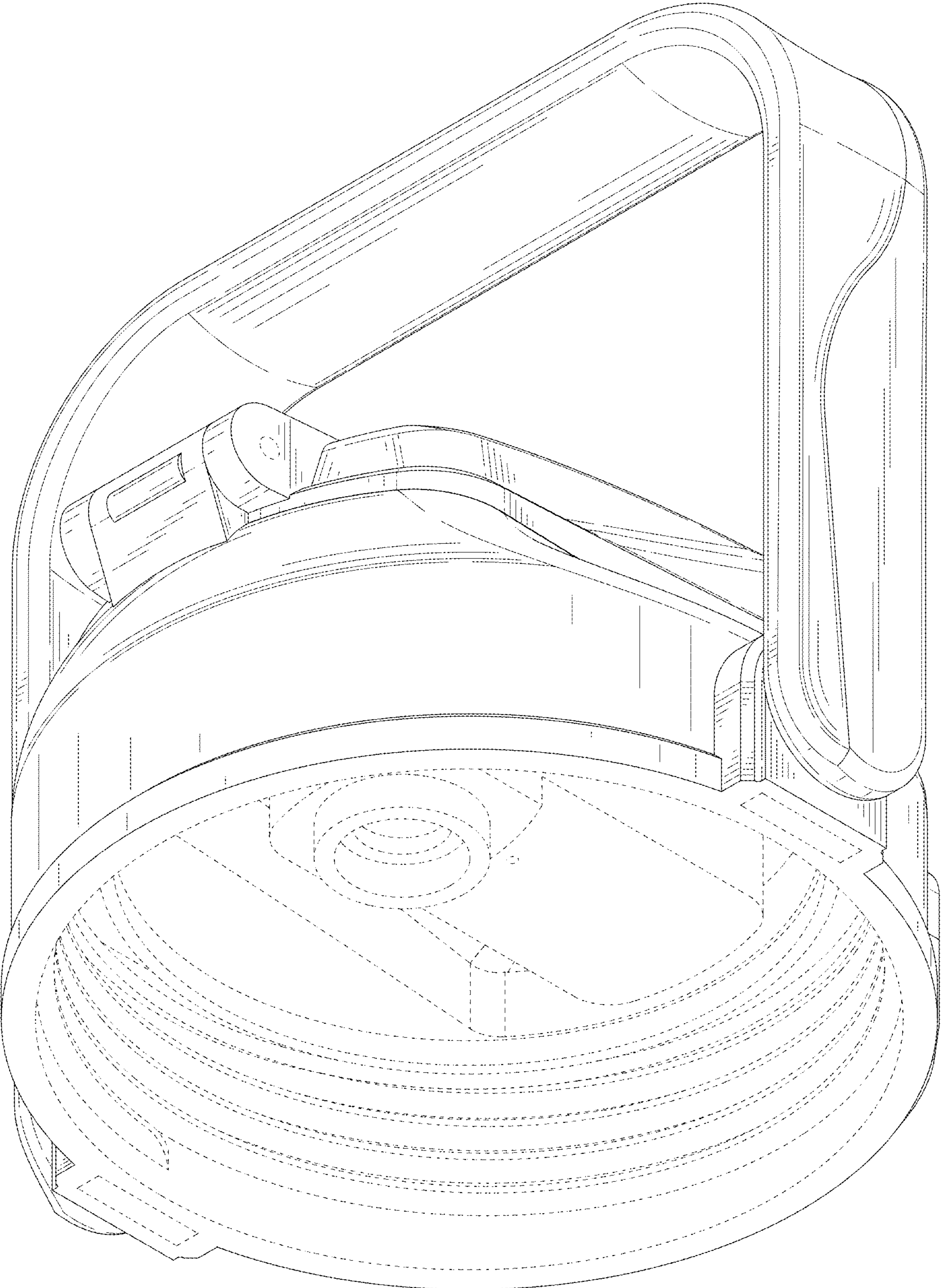


FIG. 2

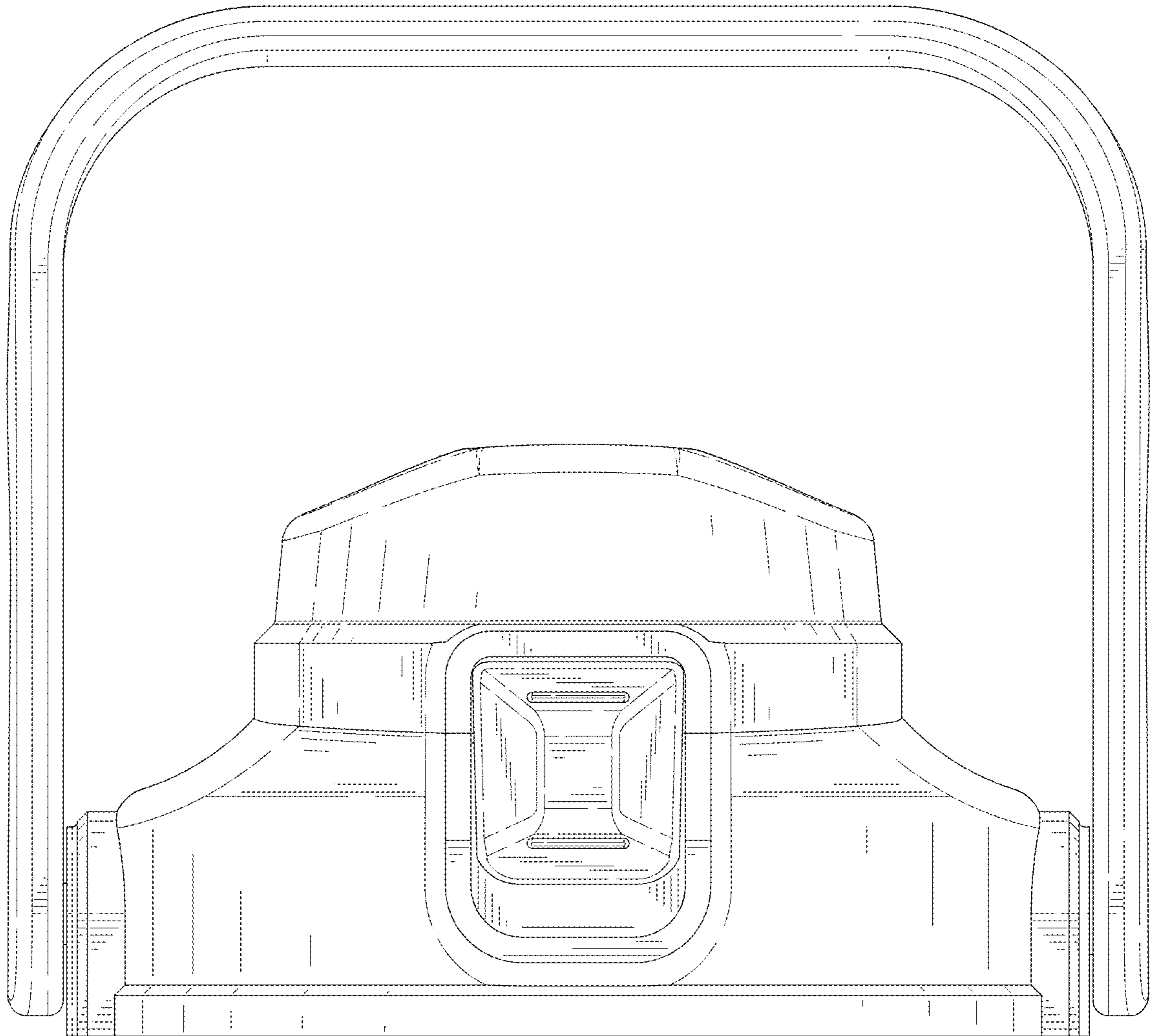


FIG. 3

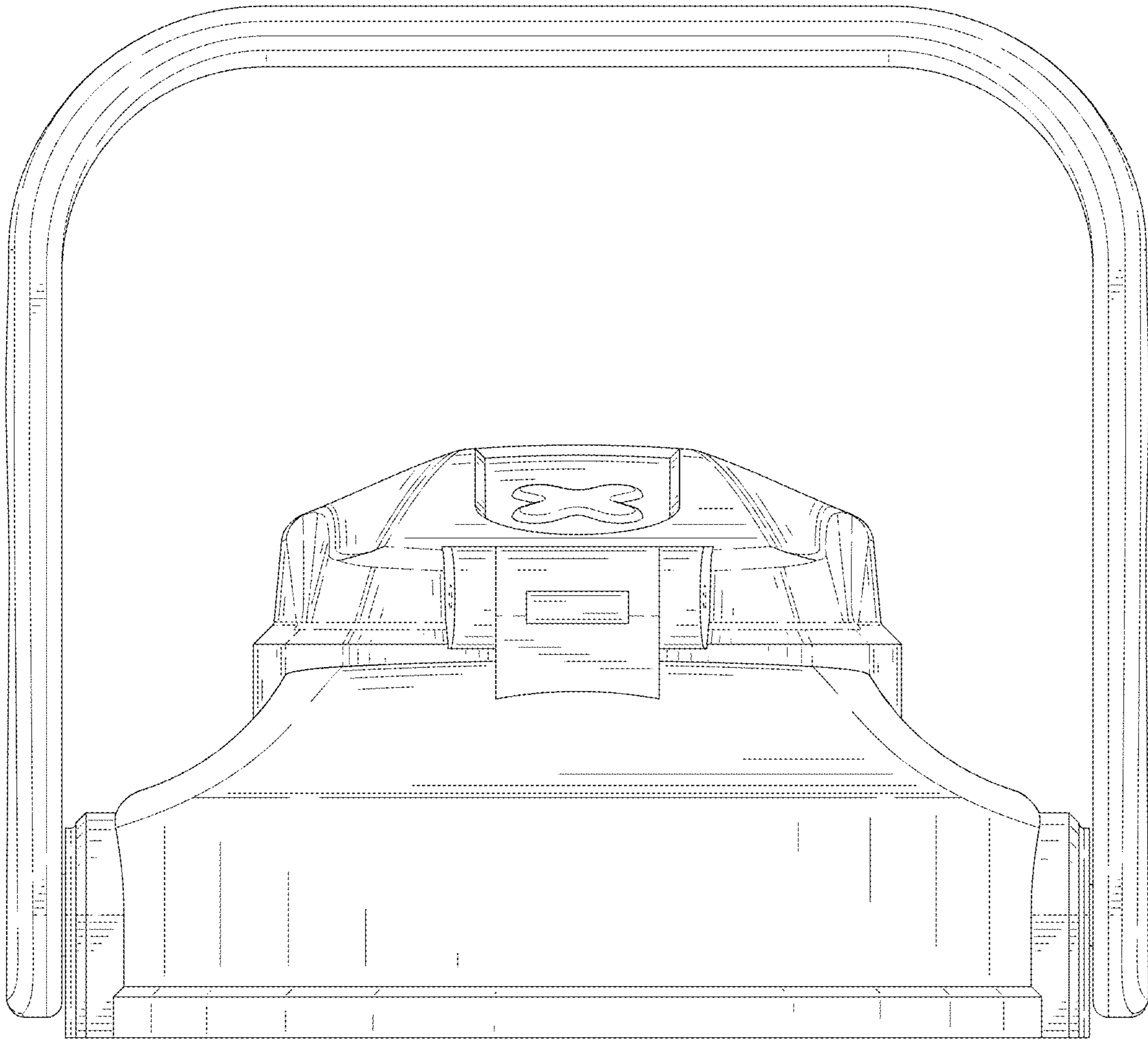


FIG. 4

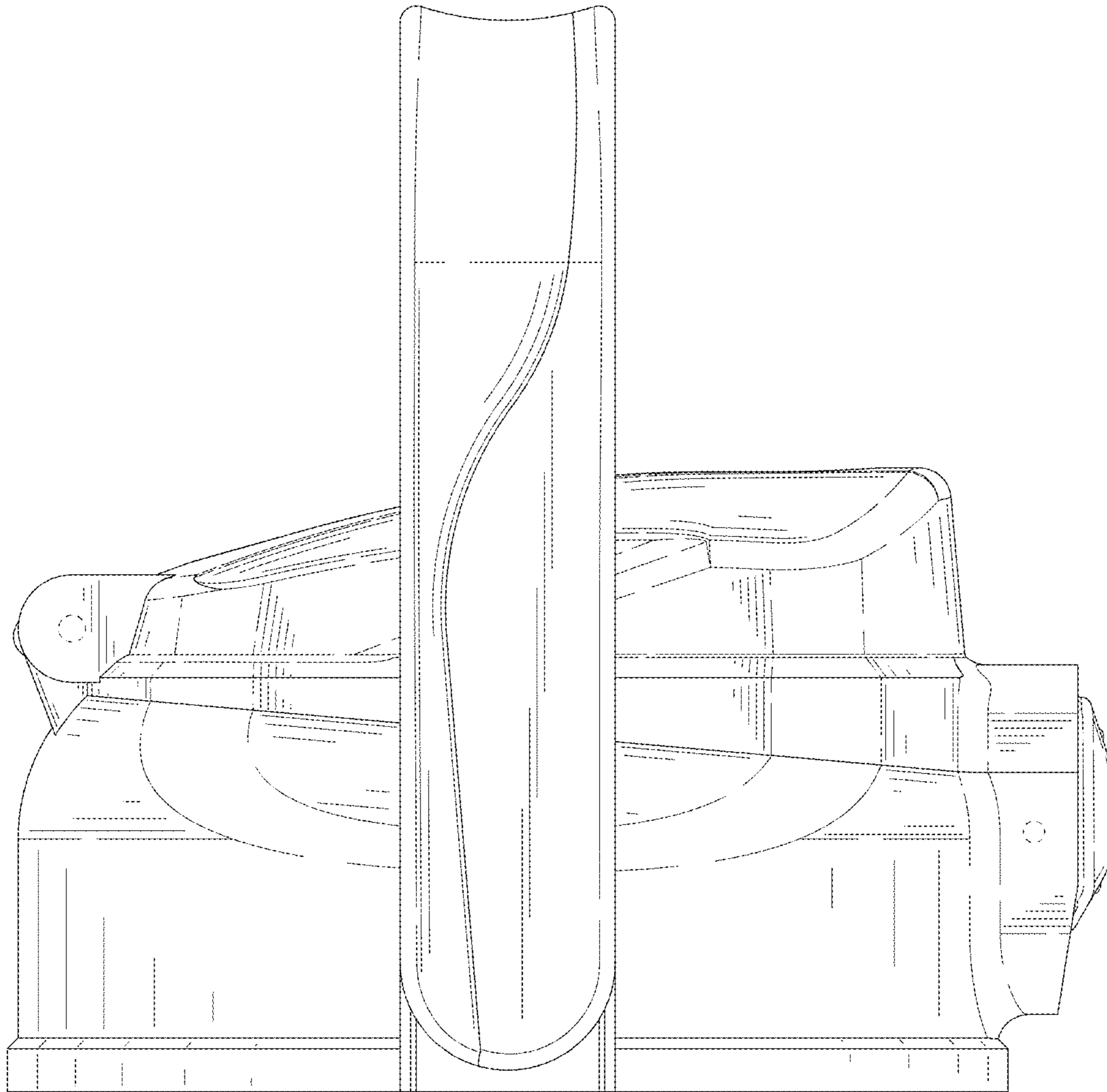


FIG. 5

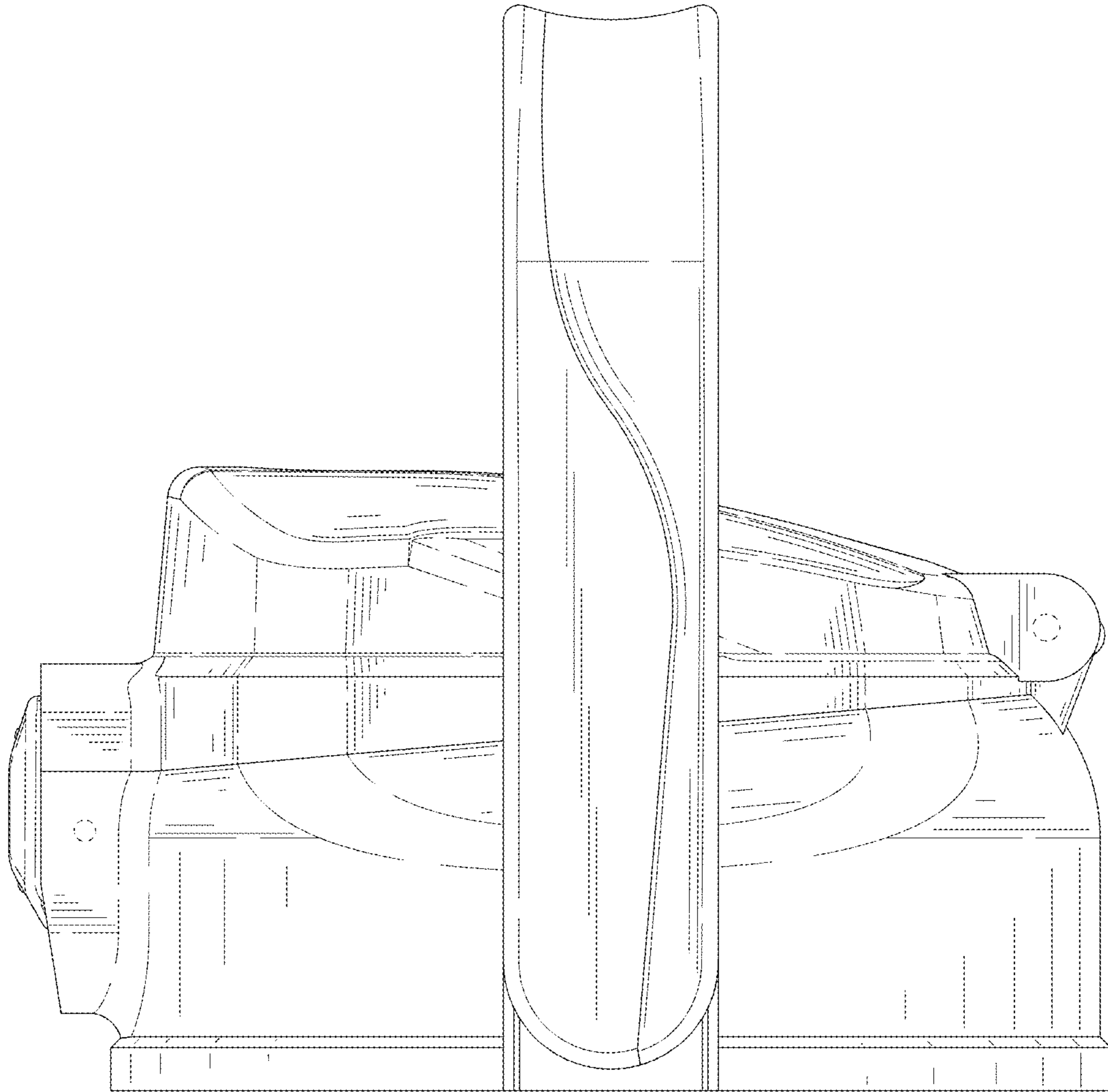


FIG. 6

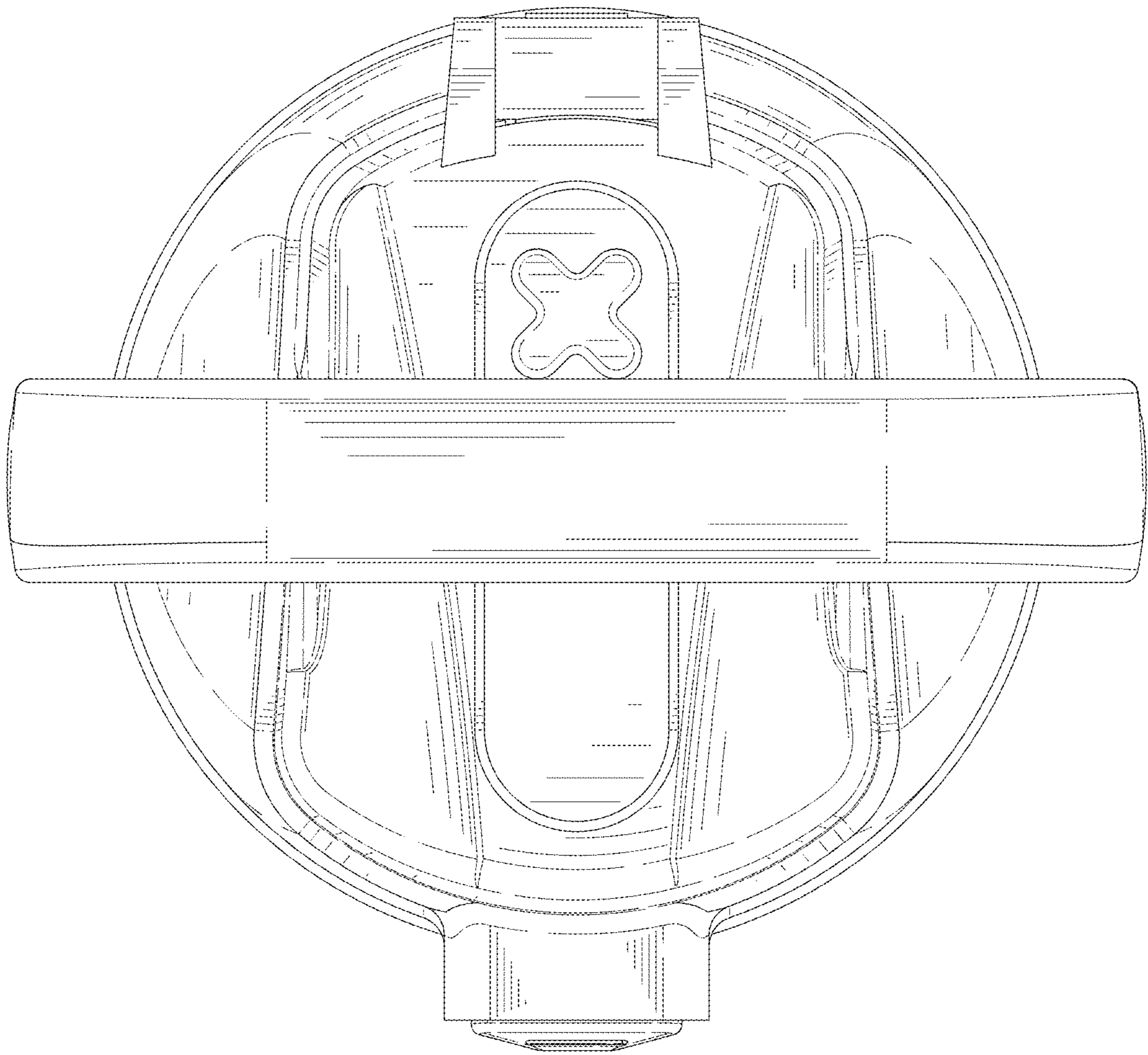


FIG. 7



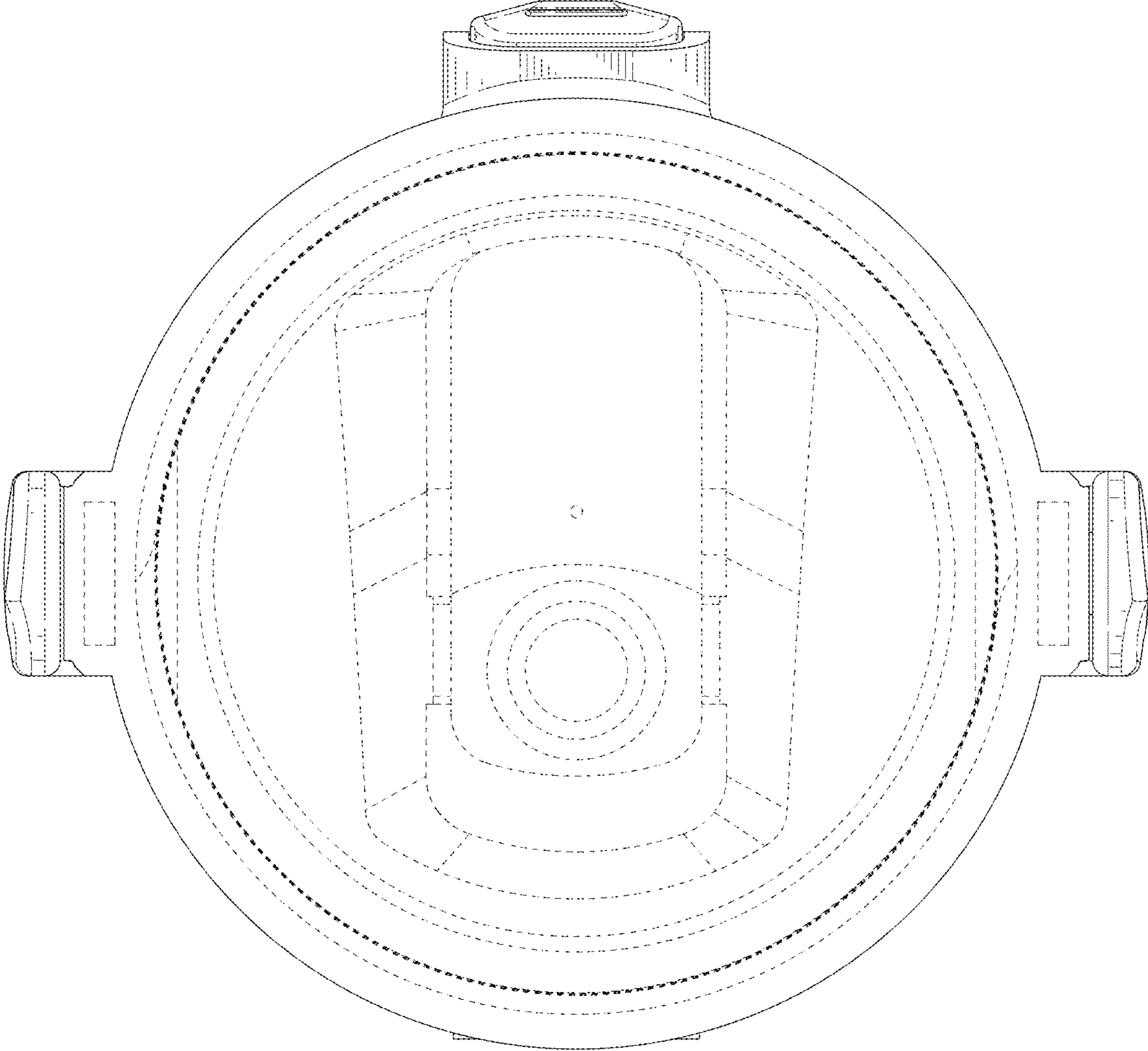


FIG. 8