



US00D968885S

(12) **United States Design Patent**  
**Kutlug**

(10) **Patent No.:** **US D968,885 S**

(45) **Date of Patent:** **\*\* Nov. 8, 2022**

(54) **WATER BOTTLE CAP LID**

(71) Applicant: **Adam Kutlug**, Irvine, CA (US)

(72) Inventor: **Adam Kutlug**, Irvine, CA (US)

(\*\*) Term: **15 Years**

(21) Appl. No.: **29/826,032**

(22) Filed: **Feb. 9, 2022**

(51) **LOC (13) Cl.** ..... **07-02**

(52) **U.S. Cl.**

USPC ..... **D7/392.1**; D9/443; D7/396.2

(58) **Field of Classification Search**

USPC ..... D7/392, 392.1, 619.1, 507, 509-511;  
D9/443, 439, 440, 435, 531

CPC . A47G 19/2272; B65D 83/205; B65D 83/206

See application file for complete search history.

(56) **References Cited**

**U.S. PATENT DOCUMENTS**

D547,607 S	7/2007	Forsman	
D591,108 S	4/2009	Pesach et al.	
D596,459 S	7/2009	Ghiassi	
D629,644 S	12/2010	Zhuang et al.	
D704,986 S	5/2014	Manies	
D719,780 S *	12/2014	Sullivan	D7/392.1
D720,218 S	12/2014	Hutson et al.	
D734,151 S	7/2015	Herbst	
D752,916 S *	4/2016	Goodwin	D7/392.1
D768,439 S	10/2016	Shin et al.	
D777,508 S *	1/2017	Goodwin	D7/392.1
D786,012 S	5/2017	Hein et al.	
D799,320 S	10/2017	Goodwin et al.	
9,776,777 B2	10/2017	Gorbald	
D806,468 S	1/2018	Goodwin et al.	
D811,162 S	2/2018	Rane et al.	
D812,966 S	3/2018	Murosky et al.	
D817,084 S *	5/2018	Hammer	D7/392.1
D817,085 S *	5/2018	Davis	D7/392.1
D835,938 S	12/2018	Zou et al.	

D848,786 S *	5/2019	Bujalska	D7/392.1
D855,120 S	7/2019	Millar et al.	
D855,389 S *	8/2019	Waggoner	D7/392.1
D857,446 S	8/2019	Bell et al.	
D858,181 S *	9/2019	Lown	D9/449
D862,985 S	10/2019	Backs	
D867,812 S	11/2019	Lane et al.	
D868,534 S	12/2019	Lin	
D870,508 S	12/2019	Palkon	
D870,509 S	12/2019	Bo	
D871,144 S	12/2019	Zhang	

(Continued)

**OTHER PUBLICATIONS**

Amazon website, Iron Flask Spout Lid, Date first available on Amazon Nov. 13, 2020, [site visited Sep. 14, 2022], Available on the Internet URL [www.amazon.com/IRON-FLASK-Insulated-Bottles-Standard/dp/B08NDT93RH](http://www.amazon.com/IRON-FLASK-Insulated-Bottles-Standard/dp/B08NDT93RH) (Year: 2020).\*

*Primary Examiner* — S. Bryan Reinholdt, Jr.

(74) *Attorney, Agent, or Firm* — Alexander Chen, Esq.

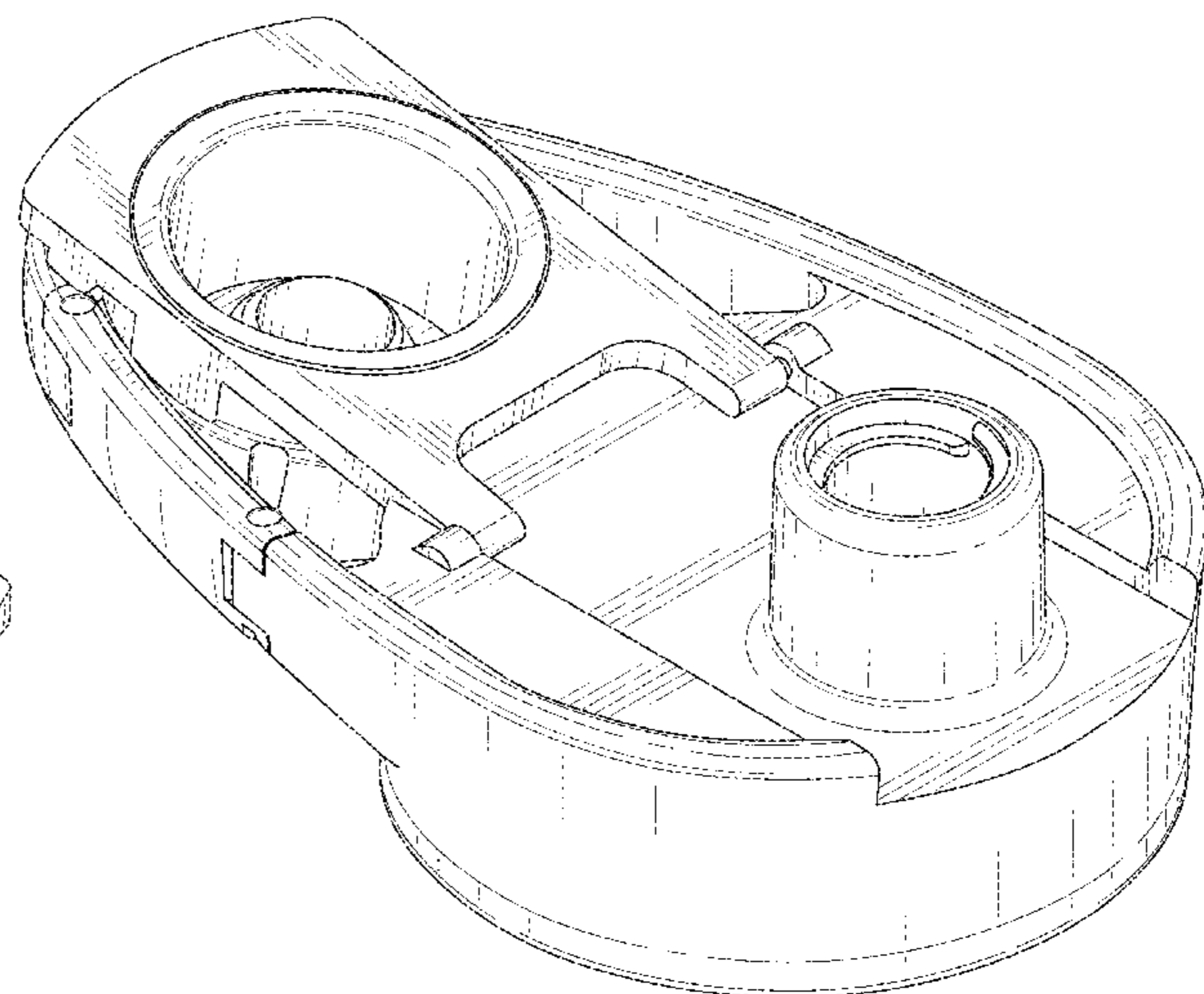
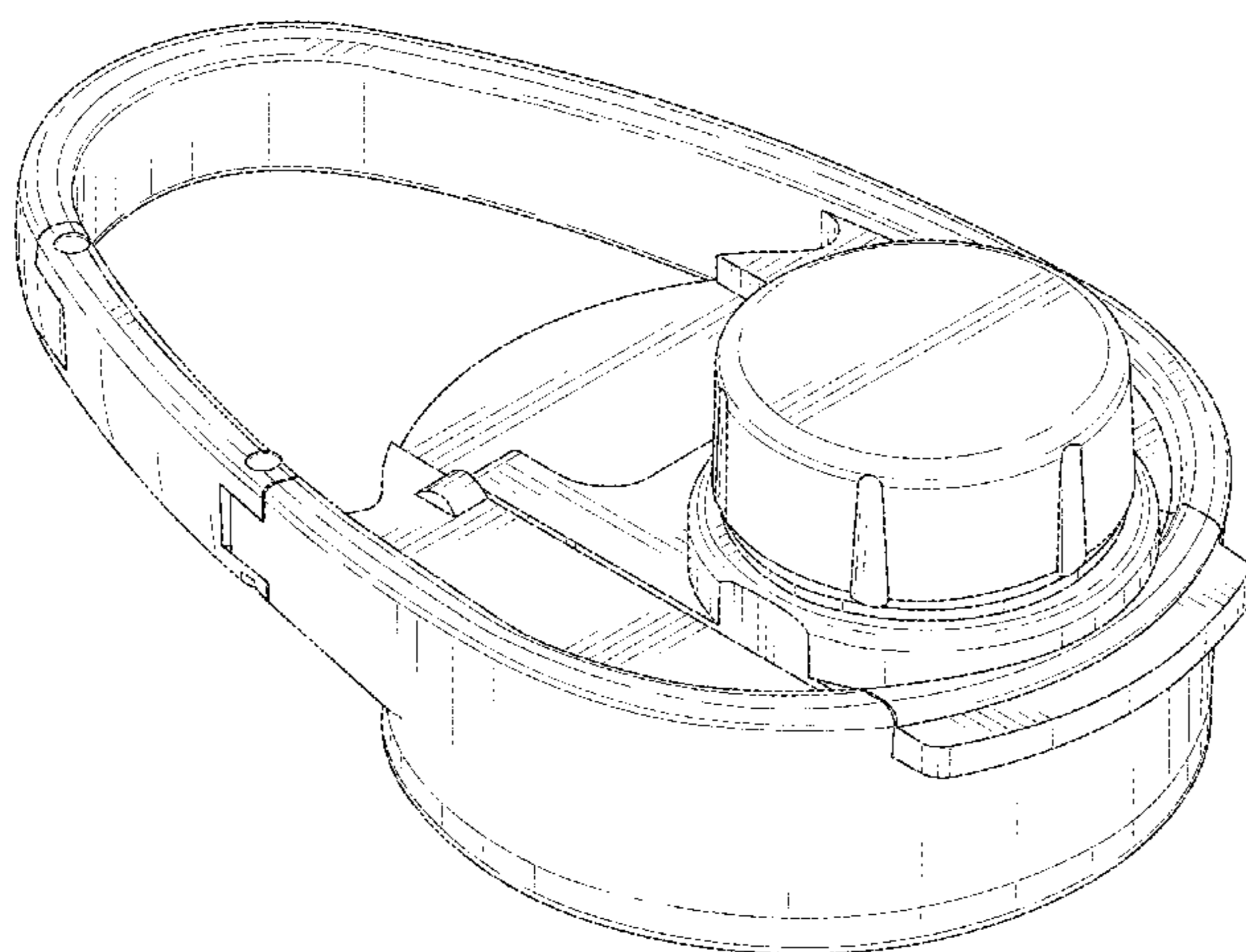
(57) **CLAIM**

The ornamental design for a water bottle cap lid, as shown and described.

**DESCRIPTION**

FIG. 1 is a top perspective view of a water bottle cap lid; FIG. 2 is a front view thereof; FIG. 3 is a back view thereof; FIG. 4 is a side view thereof; FIG. 5 is a top view thereof with the cap lid in an open use configuration; FIG. 6 is a top view thereof; and, FIG. 7 is a top perspective view thereof with the cap lid in an open use configuration. Any broken lines are included to show environmental structure and form no part of the claimed design.

**1 Claim, 7 Drawing Sheets**



(56)

**References Cited**

U.S. PATENT DOCUMENTS

D872,522	S	1/2020	Diener et al.	
D872,524	S	1/2020	Bo	
D892,556	S	8/2020	Wang et al.	
D892,558	S	8/2020	Wang et al.	
D893,953	S	8/2020	Tobias	
D904,827	S	12/2020	Stanton	
D910,376	S	2/2021	Lovelace	
D911,109	S	2/2021	Johnson	
D911,778	S	3/2021	Jacobsen	
D913,041	S	3/2021	Coleman et al.	
D921,433	S	6/2021	Gronkowski	
D921,434	S	6/2021	Chiaradia et al.	
D922,136	S *	6/2021	Lin .....	D9/449
D923,408	S	6/2021	Hamilton	
D929,185	S	8/2021	Omdahl, II et al.	
D931,051	S	9/2021	Ames	
D931,060	S	9/2021	Volkoff et al.	
D931,687	S	9/2021	Volkoff et al.	
D935,266	S *	11/2021	Chen .....	D7/392.1
D939,278	S	12/2021	Vierck	
D939,279	S	12/2021	Vierck	
D939,280	S	12/2021	Vierck	
D939,281	S	12/2021	Kim et al.	
D946,345	S *	3/2022	Yao .....	D7/392.1
11,267,642	B2	3/2022	Vu	
2016/0318693	A1	11/2016	Hein et al.	

\* cited by examiner

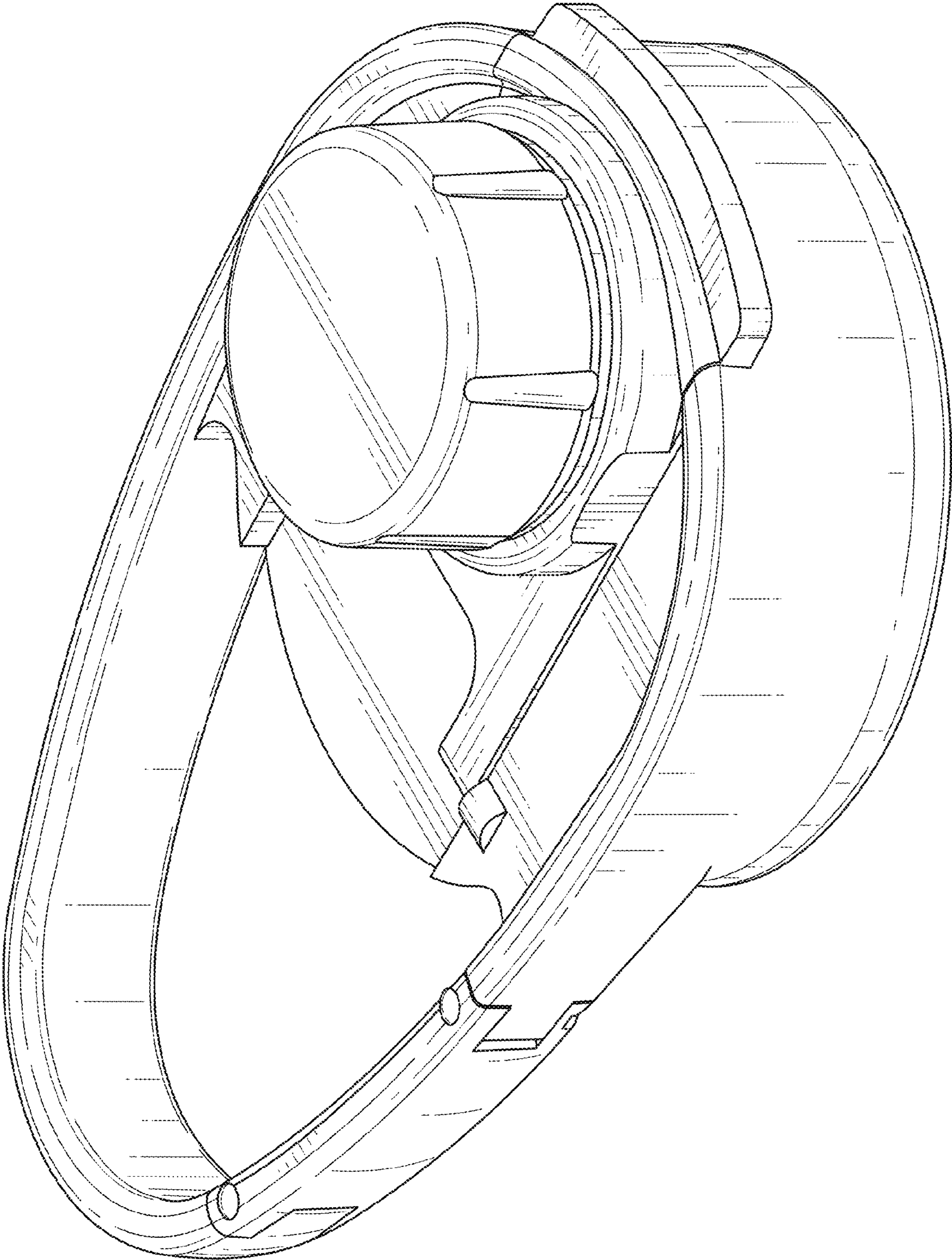


FIG. 1

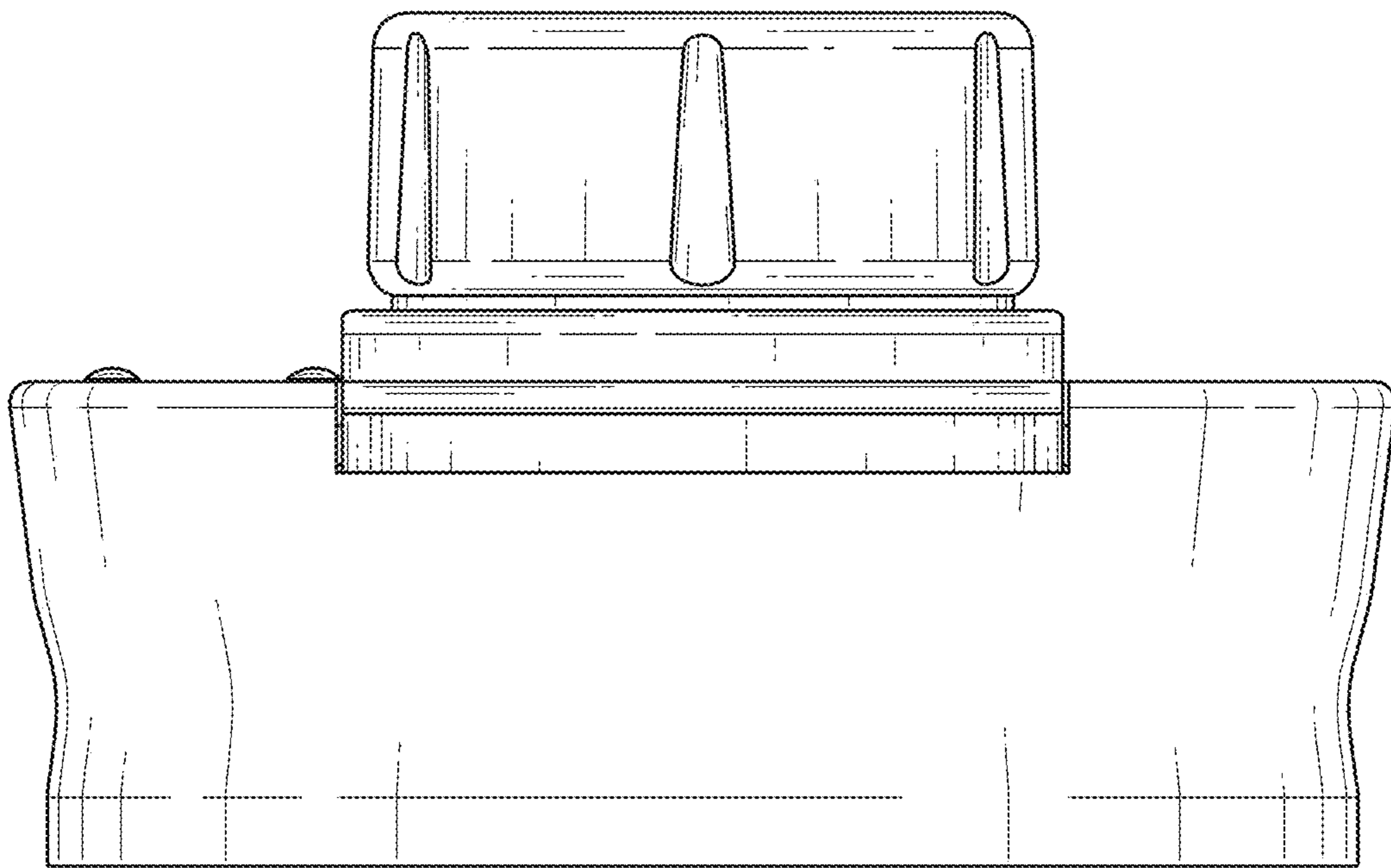


FIG. 2

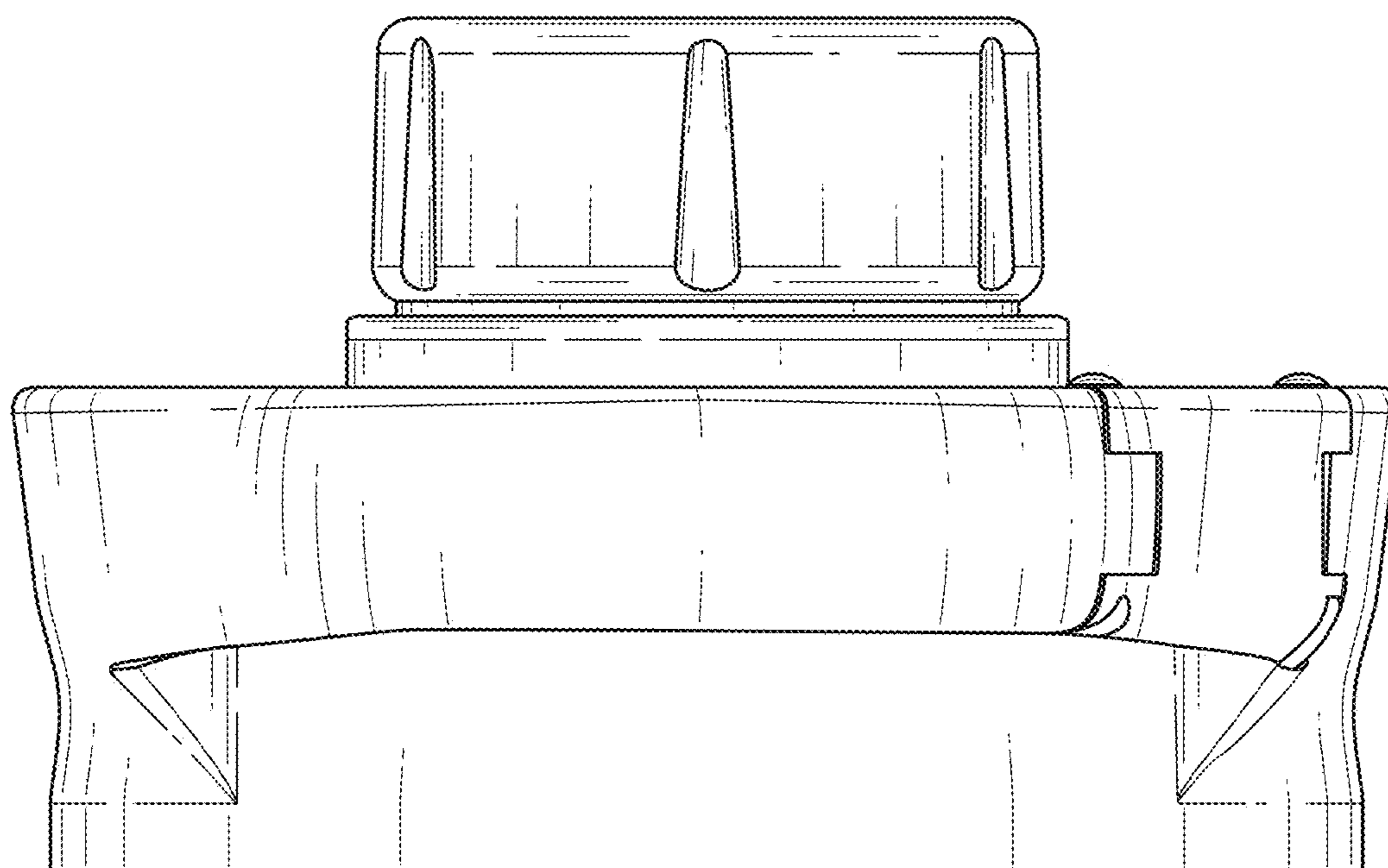


FIG. 3

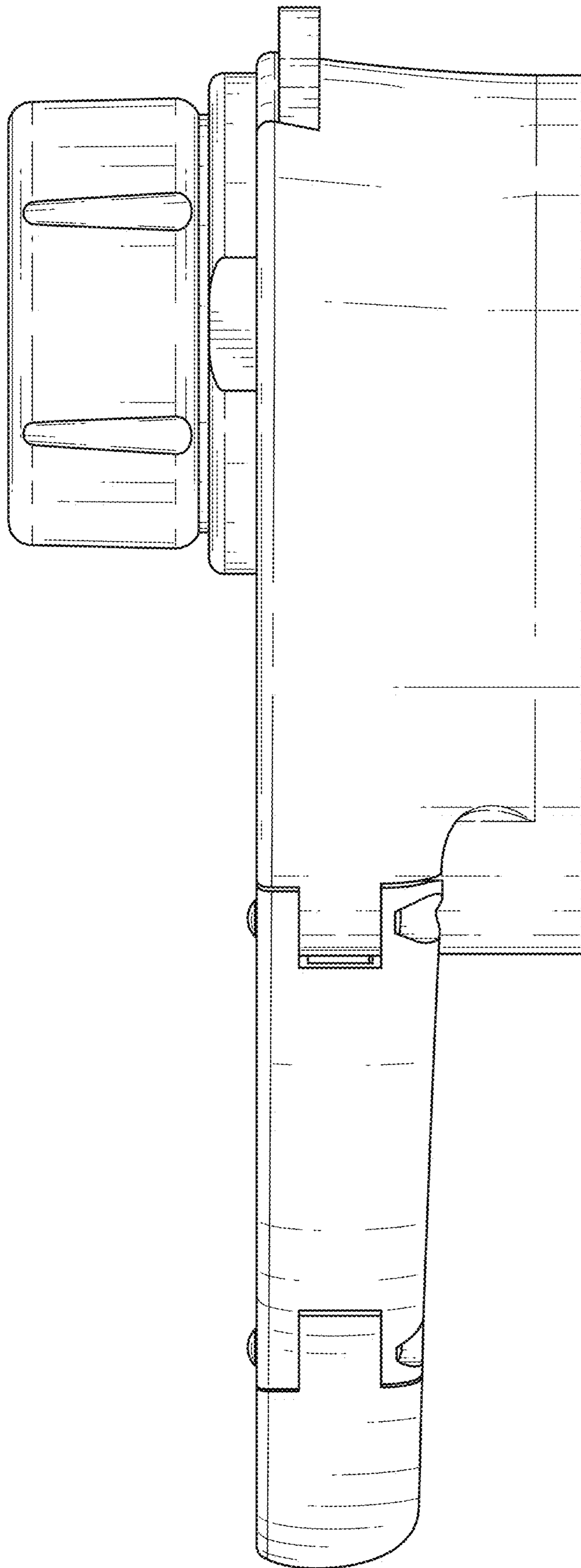


FIG. 4

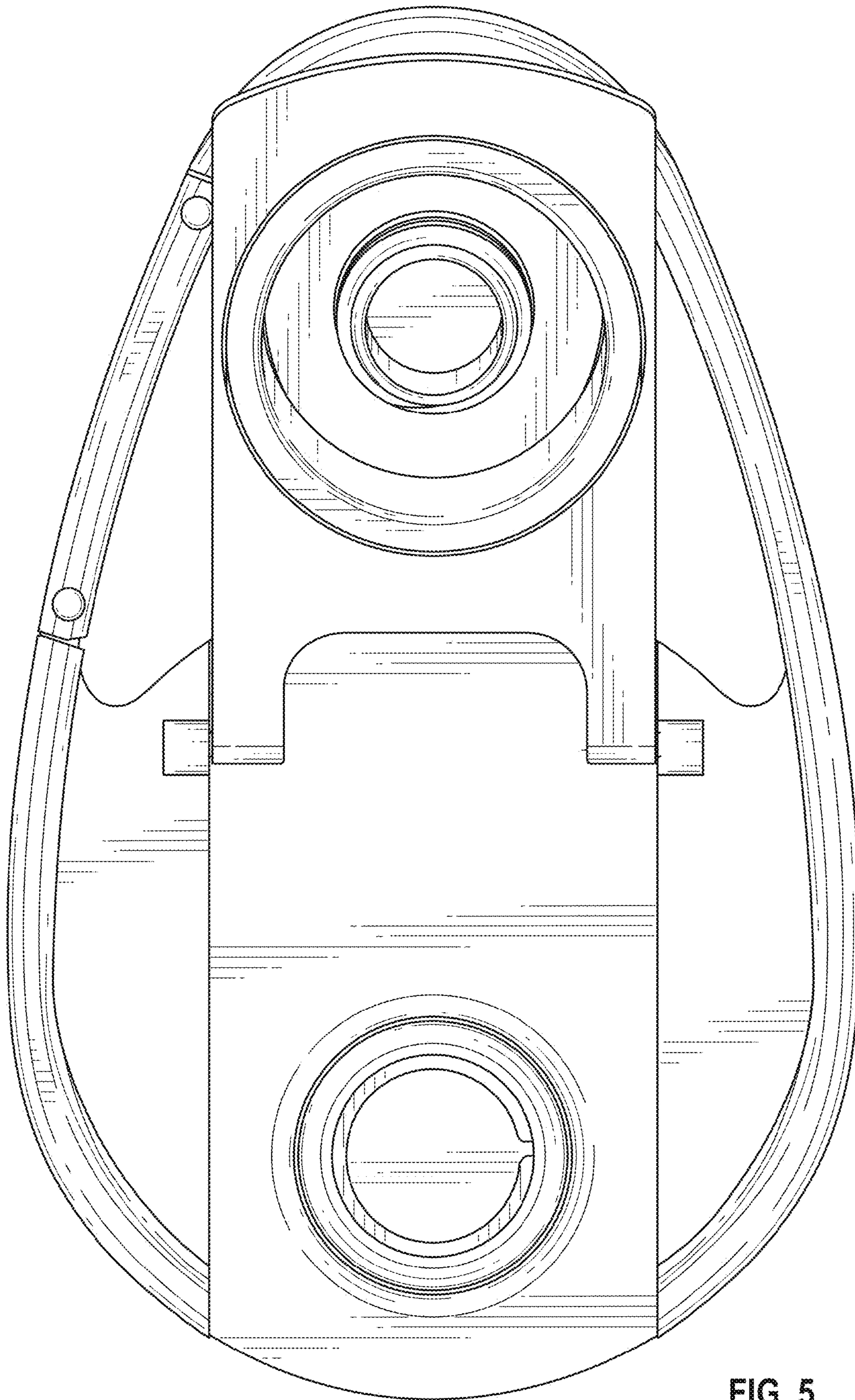


FIG. 5

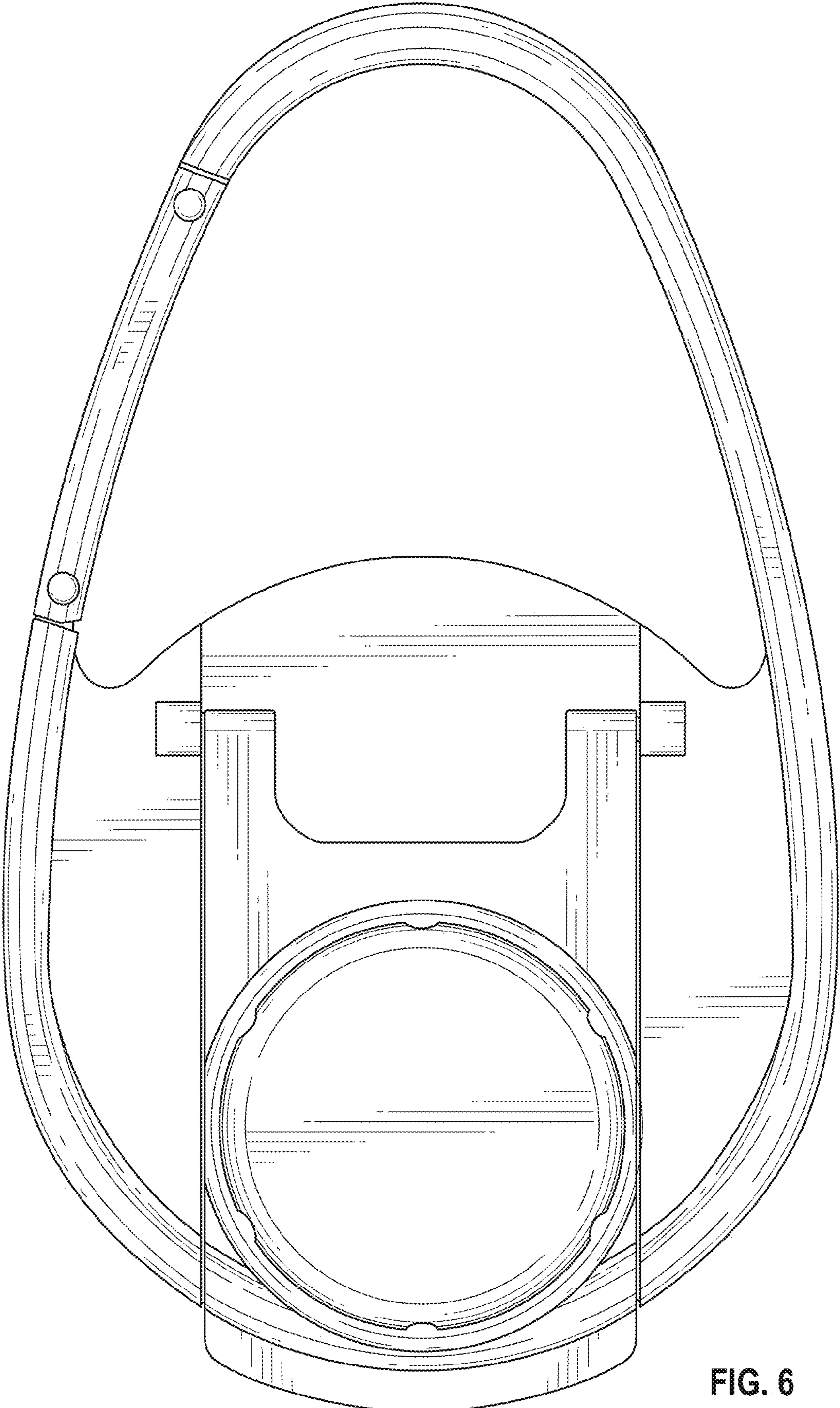


FIG. 6



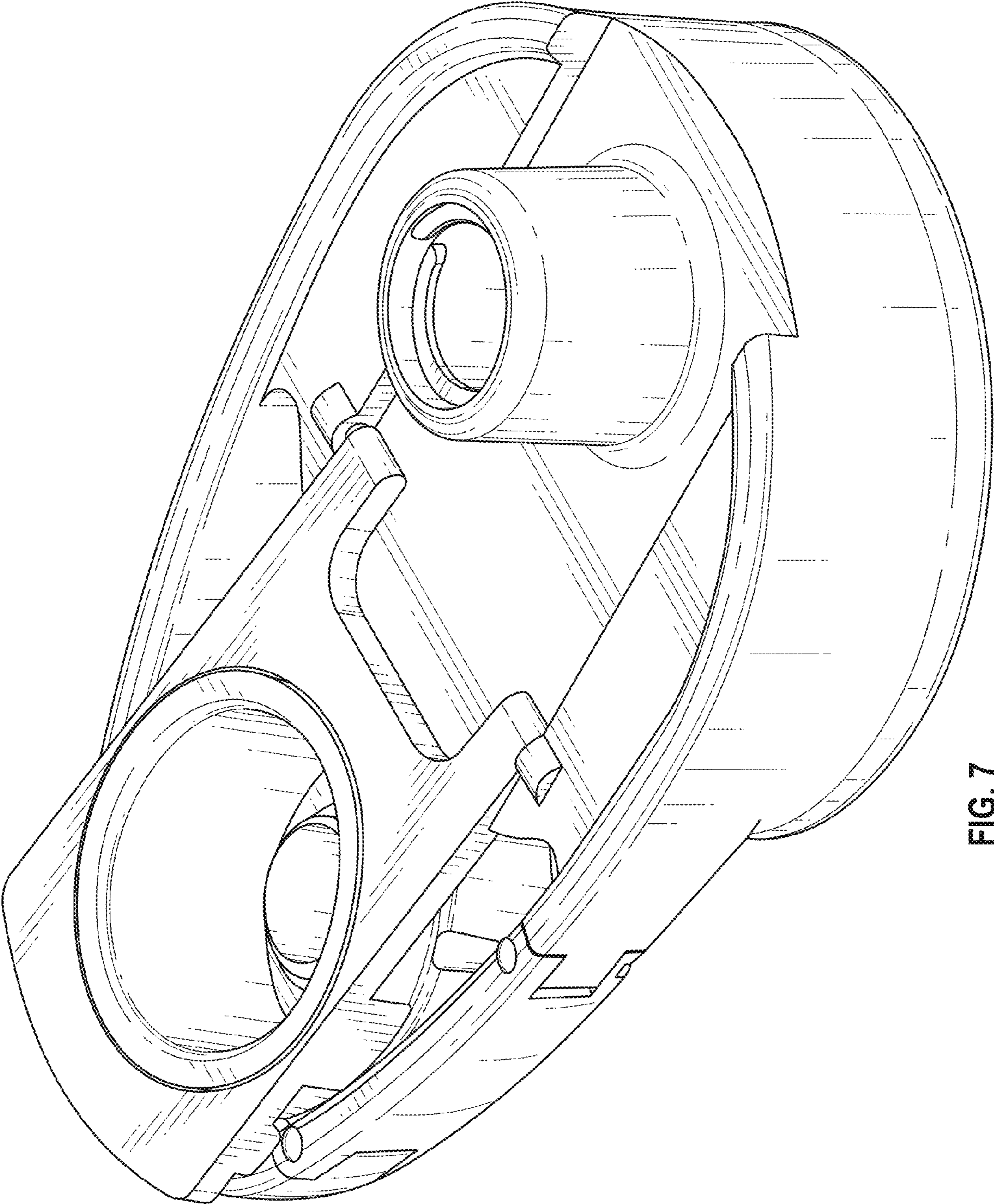


FIG. 7