



US00D968884S

(12) **United States Design Patent**
Kutlug

(10) **Patent No.:** **US D968,884 S**

(45) **Date of Patent:** **** Nov. 8, 2022**

(54) **WATER BOTTLE FLIP LID**

(71) Applicant: **Adam Kutlug**, Irvine, CA (US)

(72) Inventor: **Adam Kutlug**, Irvine, CA (US)

(**) Term: **15 Years**

(21) Appl. No.: **29/826,031**

(22) Filed: **Feb. 9, 2022**

(51) **LOC (13) Cl.** **07-02**

(52) **U.S. Cl.**

USPC **D7/392.1**; D9/443; D7/396.2

(58) **Field of Classification Search**

USPC D7/392, 392.1, 619.1, 507, 509-511;
D9/443, 439, 440, 435, 531

CPC . A47G 19/2272; B65D 83/205; B65D 83/206

See application file for complete search history.

(56) **References Cited**

U.S. PATENT DOCUMENTS

D547,607 S	7/2007	Forsman	
D591,108 S	4/2009	Pesach et al.	
D596,459 S	7/2009	Ghiassi	
D629,644 S	12/2010	Zhuang et al.	
D704,986 S	5/2014	Manies	
D720,218 S	12/2014	Hutson et al.	
D734,151 S	7/2015	Herbst	
D748,943 S *	2/2016	Miller	D7/392.1
D768,439 S	10/2016	Shin et al.	
D786,012 S	5/2017	Hein et al.	
D799,320 S	10/2017	Goodwin et al.	
9,776,777 B2	10/2017	Gorbald	
D806,468 S	1/2018	Goodwin et al.	
D811,162 S	2/2018	Rane et al.	
D812,966 S	3/2018	Murosky et al.	
D835,938 S	12/2018	Zou et al.	
D855,120 S	7/2019	Millar et al.	
D857,446 S	8/2019	Bell et al.	
D862,985 S	10/2019	Backs	
D867,812 S	11/2019	Lane et al.	

D868,534 S	12/2019	Lin	
D870,508 S	12/2019	Palkon	
D870,509 S	12/2019	Bo	
D871,132 S *	12/2019	Yao	D9/449
D871,144 S	12/2019	Zhang	
D872,522 S	1/2020	Diener et al.	
D872,524 S	1/2020	Bo	
D892,556 S	8/2020	Wang et al.	

(Continued)

OTHER PUBLICATIONS

Amazon website, Simple Modern Flip Lid with Handle, Date first available on Amazon Mar. 7, 2017, [site visited Sep. 16, 2022], Available on the Internet URL www.amazon.com/Simple-Modern-Flip-Lid-Handle/dp/B01N1UET24 (Year: 2017).*

(Continued)

Primary Examiner — S. Bryan Reinholdt, Jr.

(74) *Attorney, Agent, or Firm* — Alexander Chen, Esq.

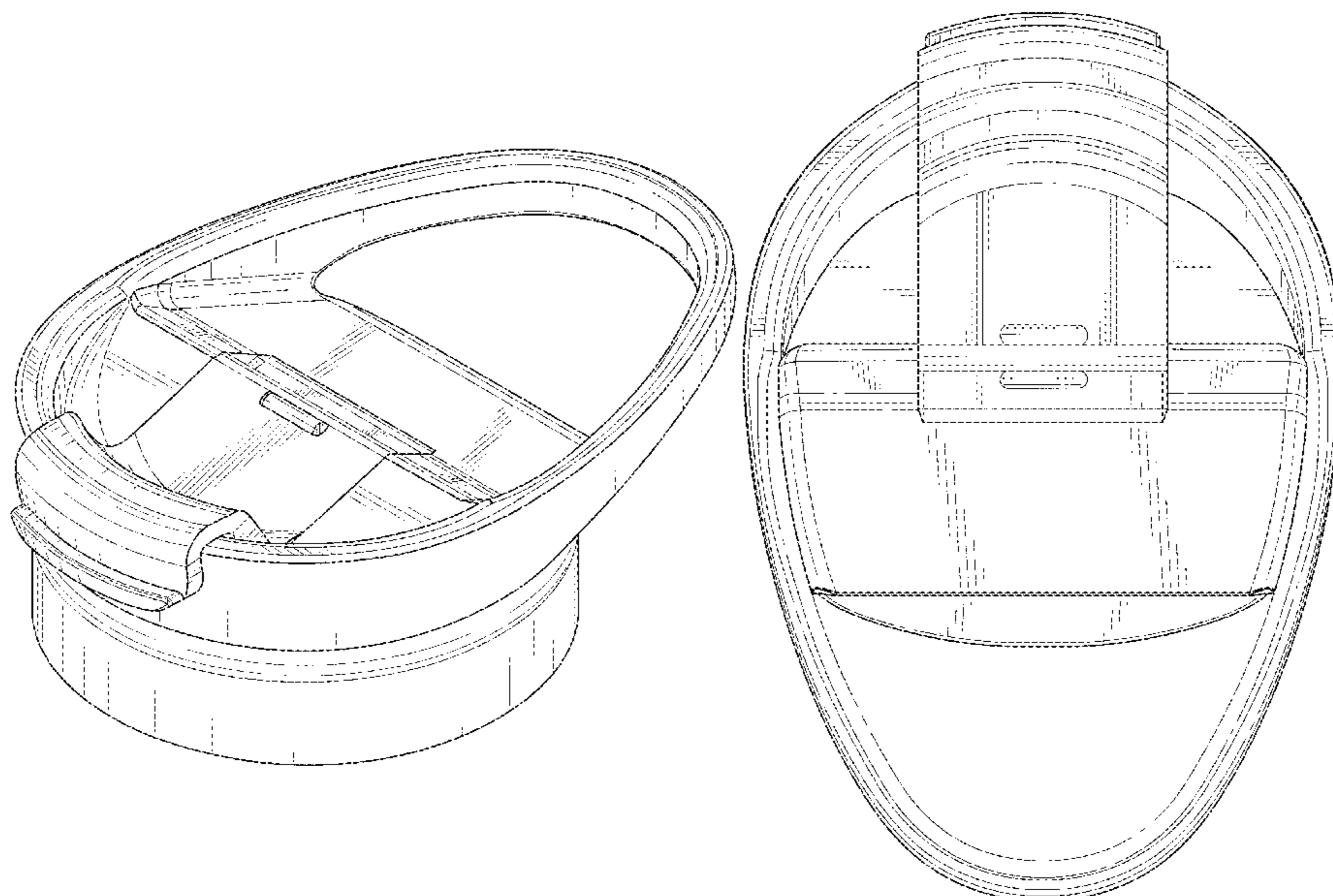
(57) **CLAIM**

The ornamental design for a water bottle flip lid, as shown and described.

DESCRIPTION

FIG. 1 is a top perspective view of a water bottle flip lid with the lid in a closed configuration;
FIG. 2 is a top perspective view thereof with the lid in an open configuration;
FIG. 3 is a front view thereof with the lid in a closed configuration;
FIG. 4 is a right side view thereof;
FIG. 5 is a right side view thereof with the lid in an open configuration;
FIG. 6 is a top plan view thereof; and,
FIG. 7 is a top plan view thereof with the cap lid in an open use configuration.

1 Claim, 7 Drawing Sheets



(56)

References Cited

U.S. PATENT DOCUMENTS

D892,558 S 8/2020 Wang et al.
D893,953 S 8/2020 Tobias
D904,827 S 12/2020 Stanton
D910,376 S 2/2021 Lovelace
D911,109 S 2/2021 Johnson
D911,772 S * 3/2021 Xie D7/392.1
D911,778 S 3/2021 Jacobsen
D913,041 S 3/2021 Coleman et al.
D921,433 S 6/2021 Gronkowski
D921,434 S 6/2021 Chiaradia et al.
D923,408 S 6/2021 Hamilton
D929,185 S 8/2021 Omdahl, II et al.
D931,051 S 9/2021 Ames
D931,060 S 9/2021 Volkoff et al.
D931,687 S 9/2021 Volkoff et al.
D939,278 S 12/2021 Vierck
D939,279 S 12/2021 Vierck
D939,280 S 12/2021 Vierck
D939,281 S 12/2021 Kim et al.
D945,211 S * 3/2022 Yao D7/392.1
11,267,642 B2 3/2022 Vu
2016/0318693 A1 11/2016 Hein et al.

OTHER PUBLICATIONS

Amazon website, Flip Lid for Hydro Flask Stainless Steel, Date first available on Amazon Nov. 3, 2017, [site visited Sep. 16, 2022], Available on the Internet URL www.amazon.com/TOPOKO-Stainless-BPA-Free-Diameter-Bottles/dp/B0774YG9JL (Year: 2017).*

* cited by examiner

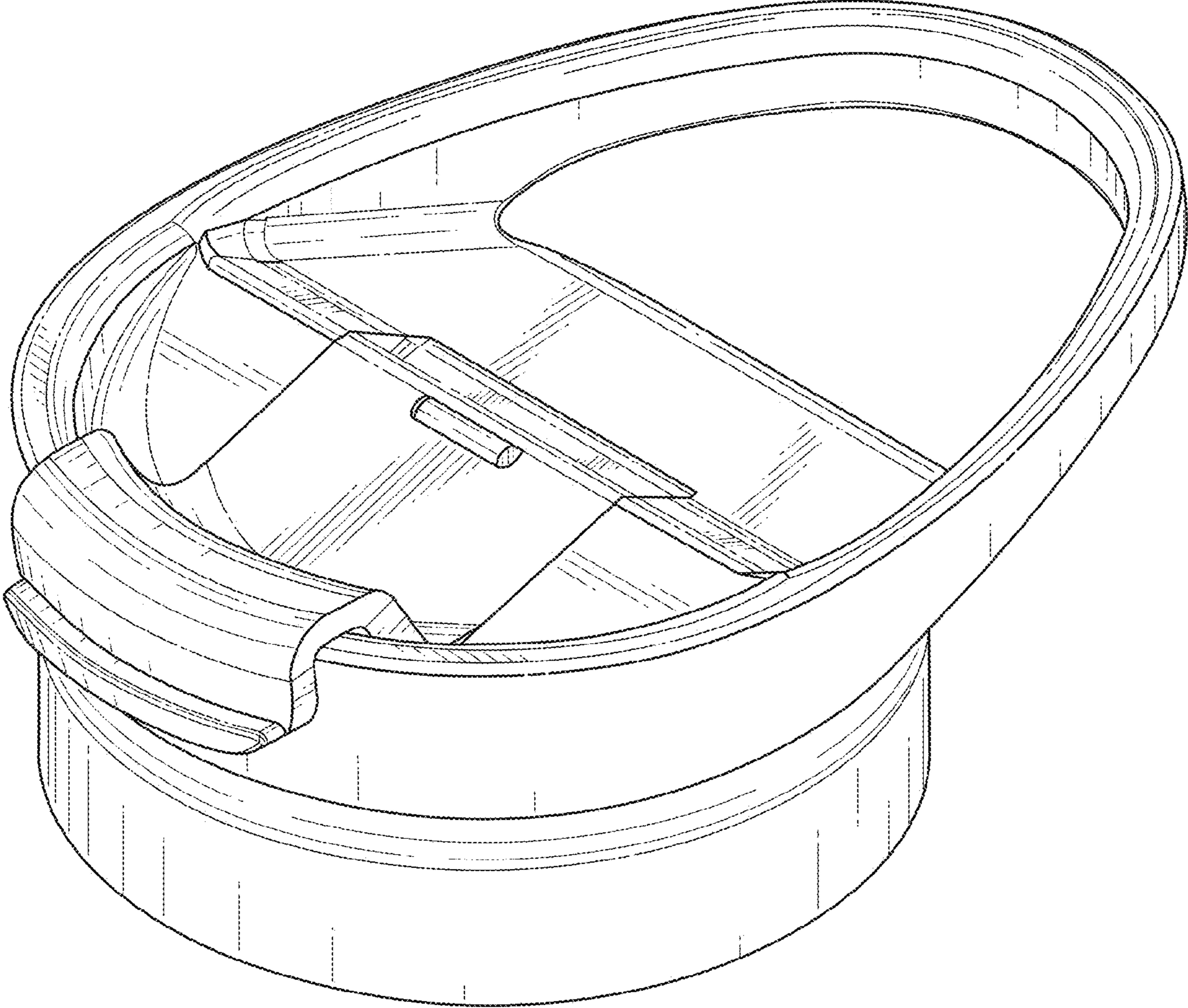


FIG. 1

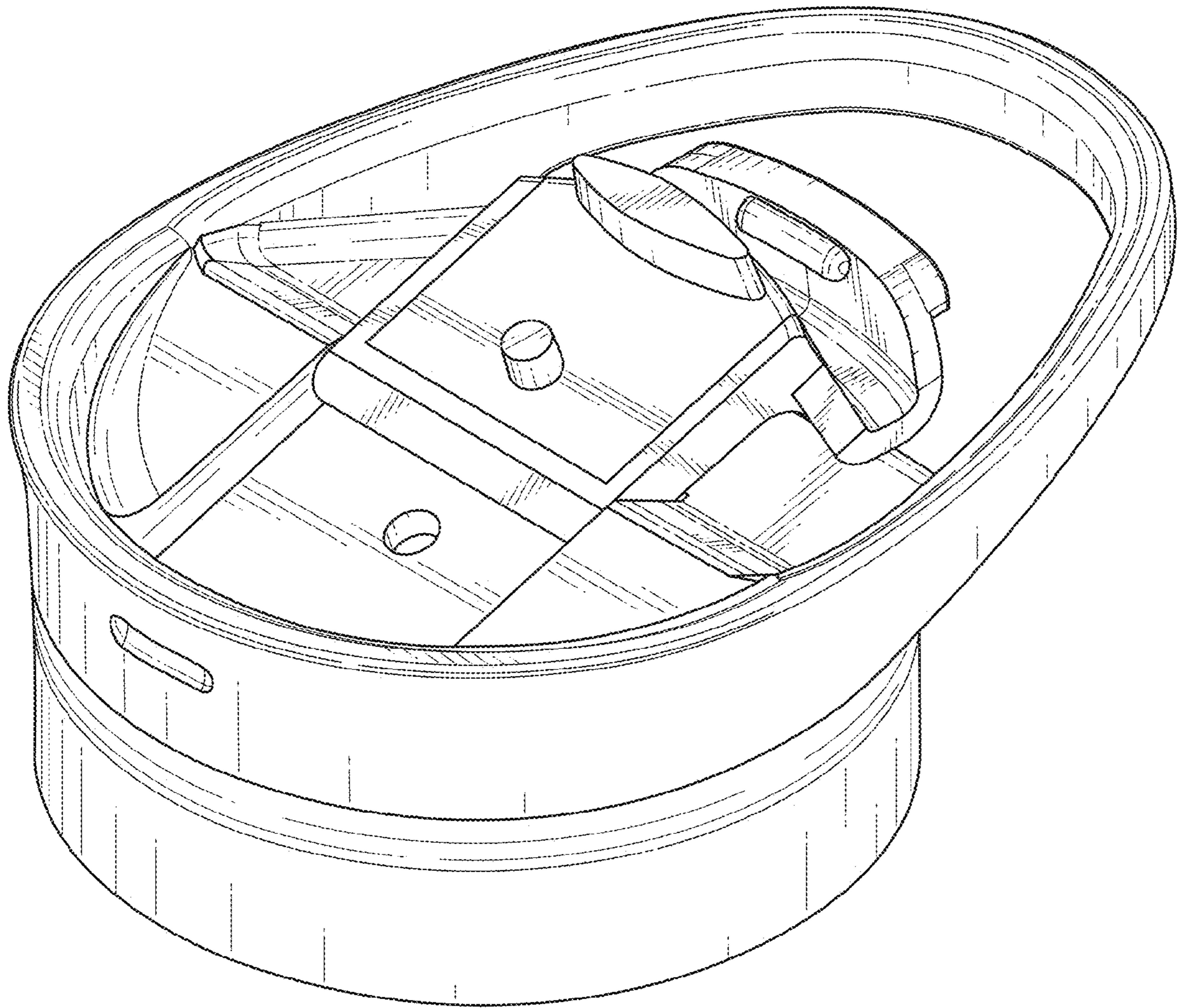


FIG. 2

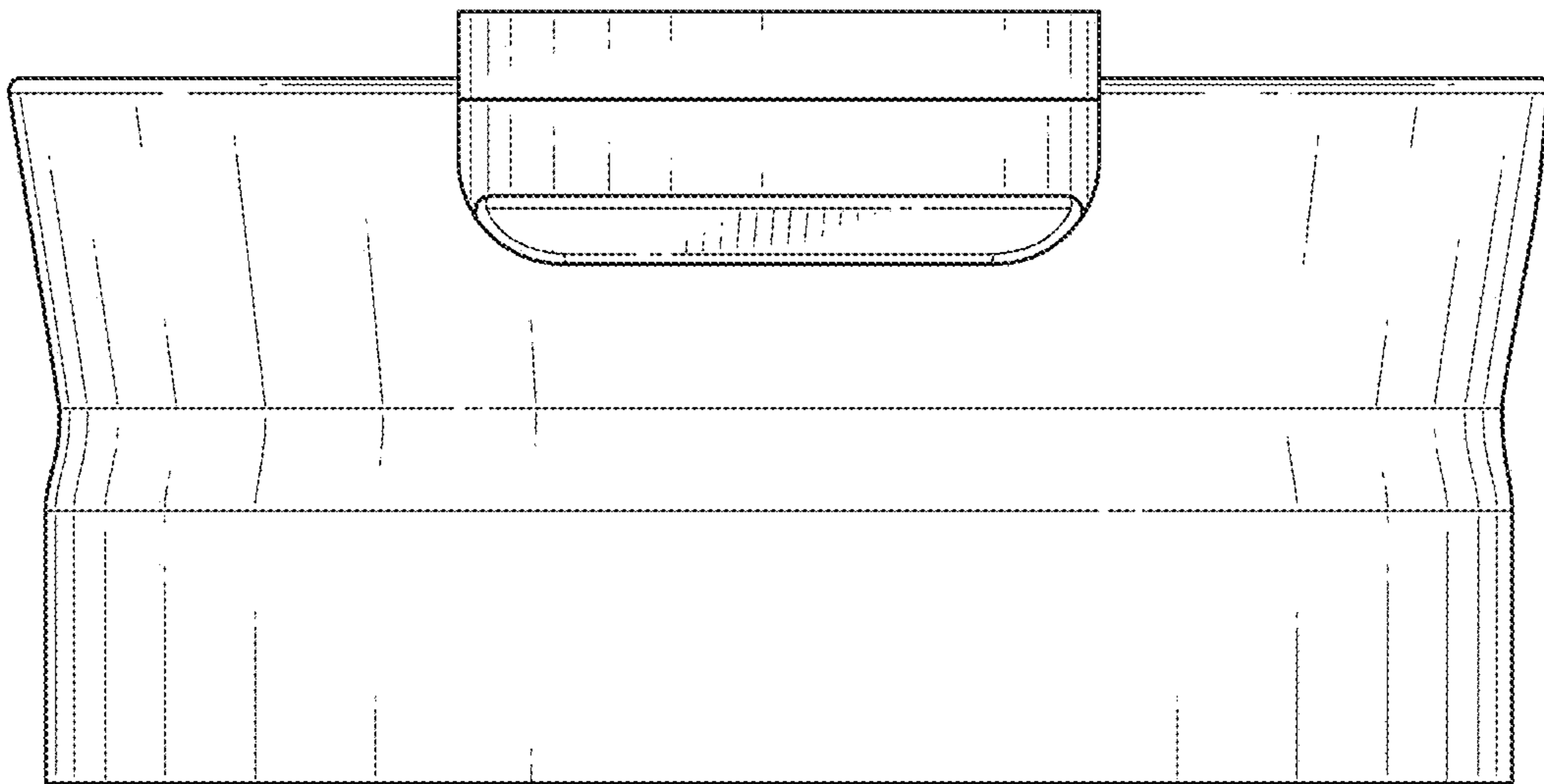


FIG. 3

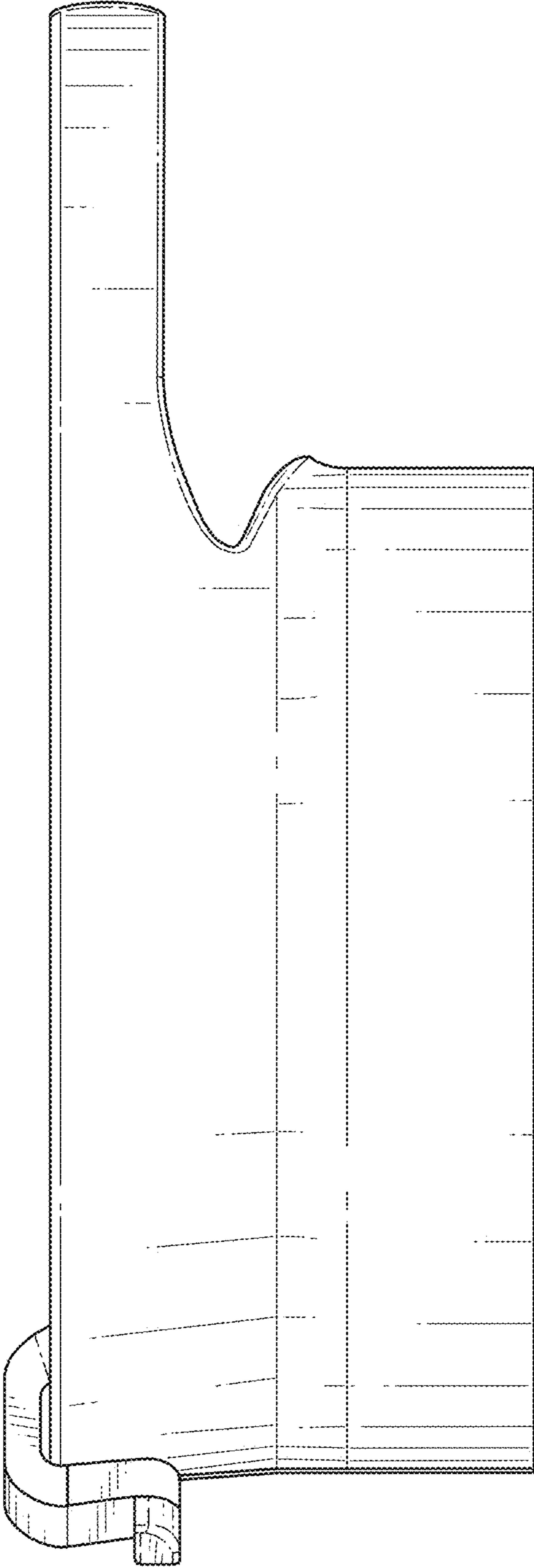


FIG. 4

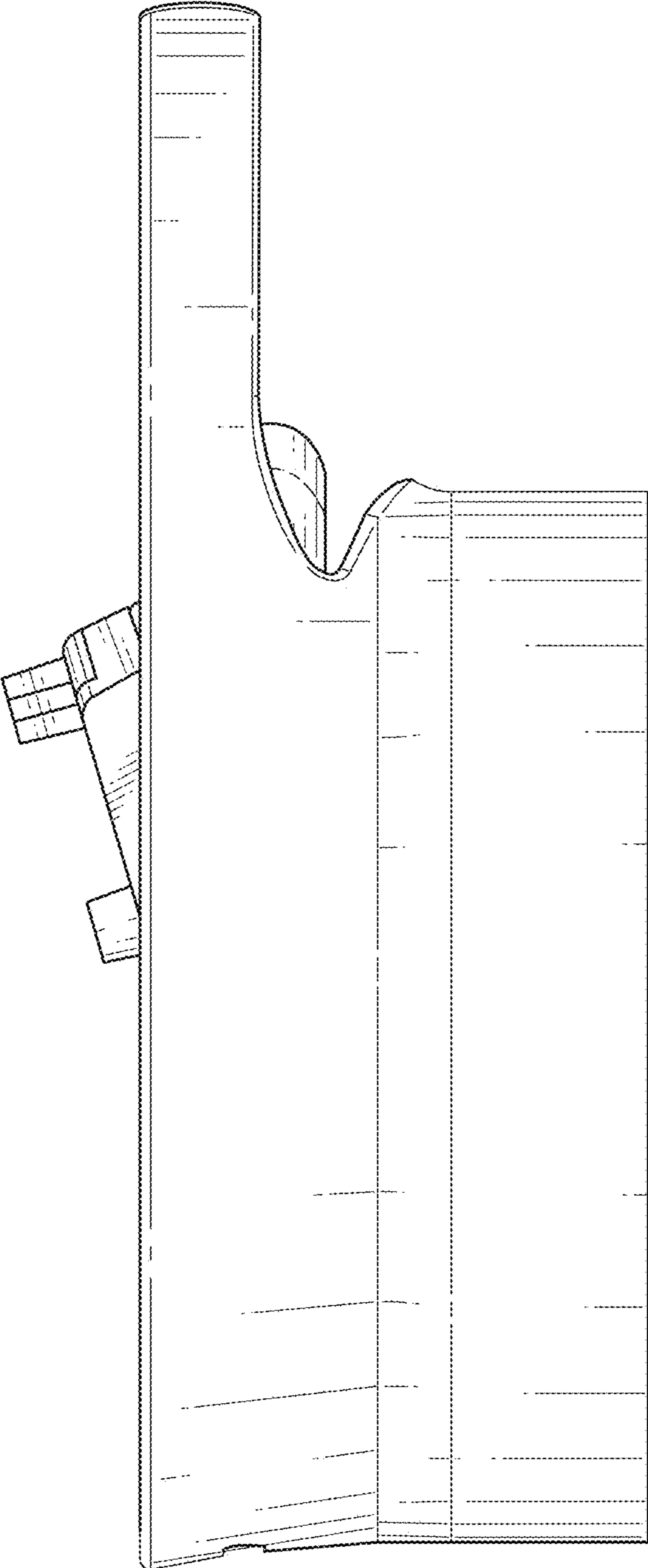


FIG. 5

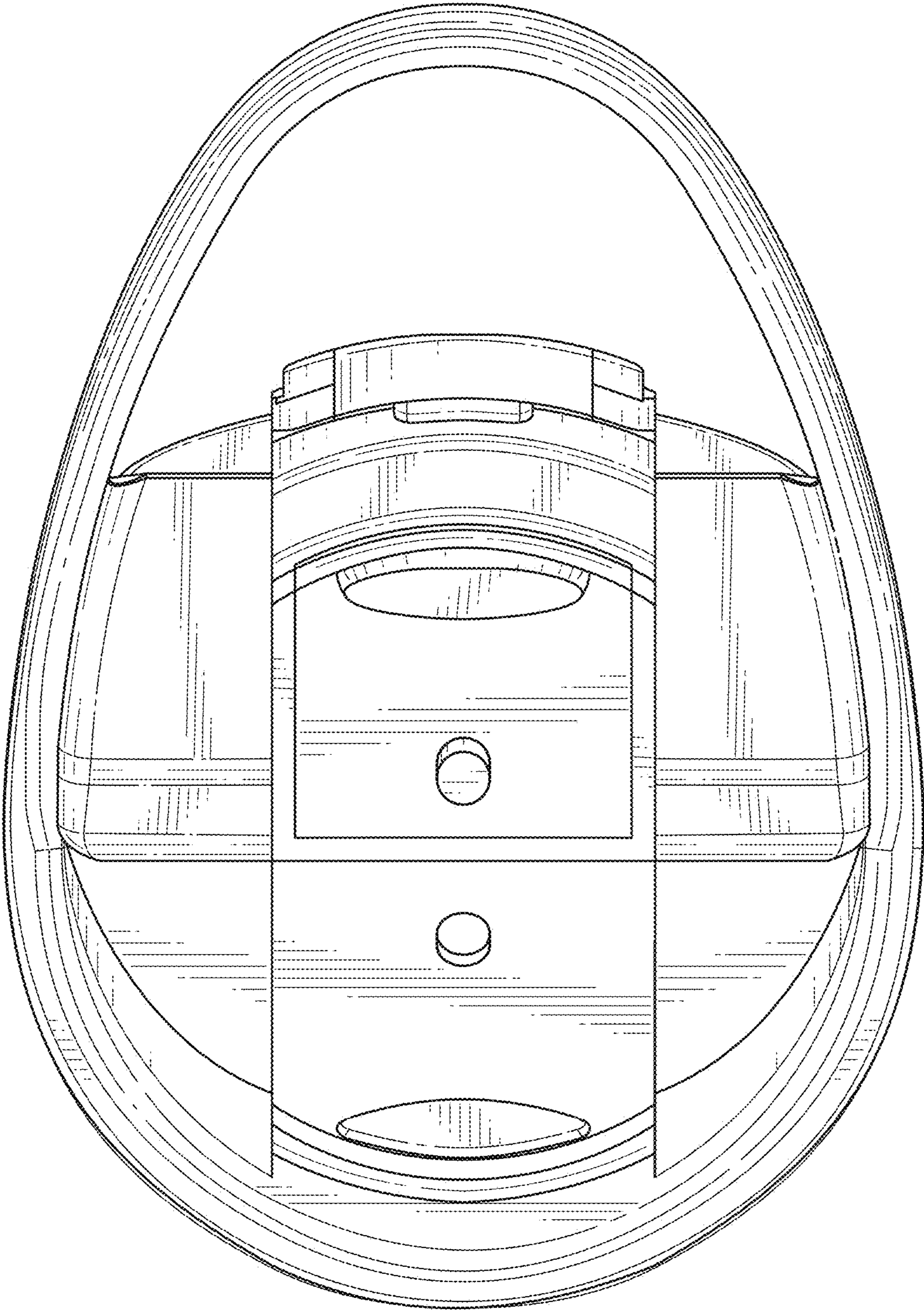


FIG. 6

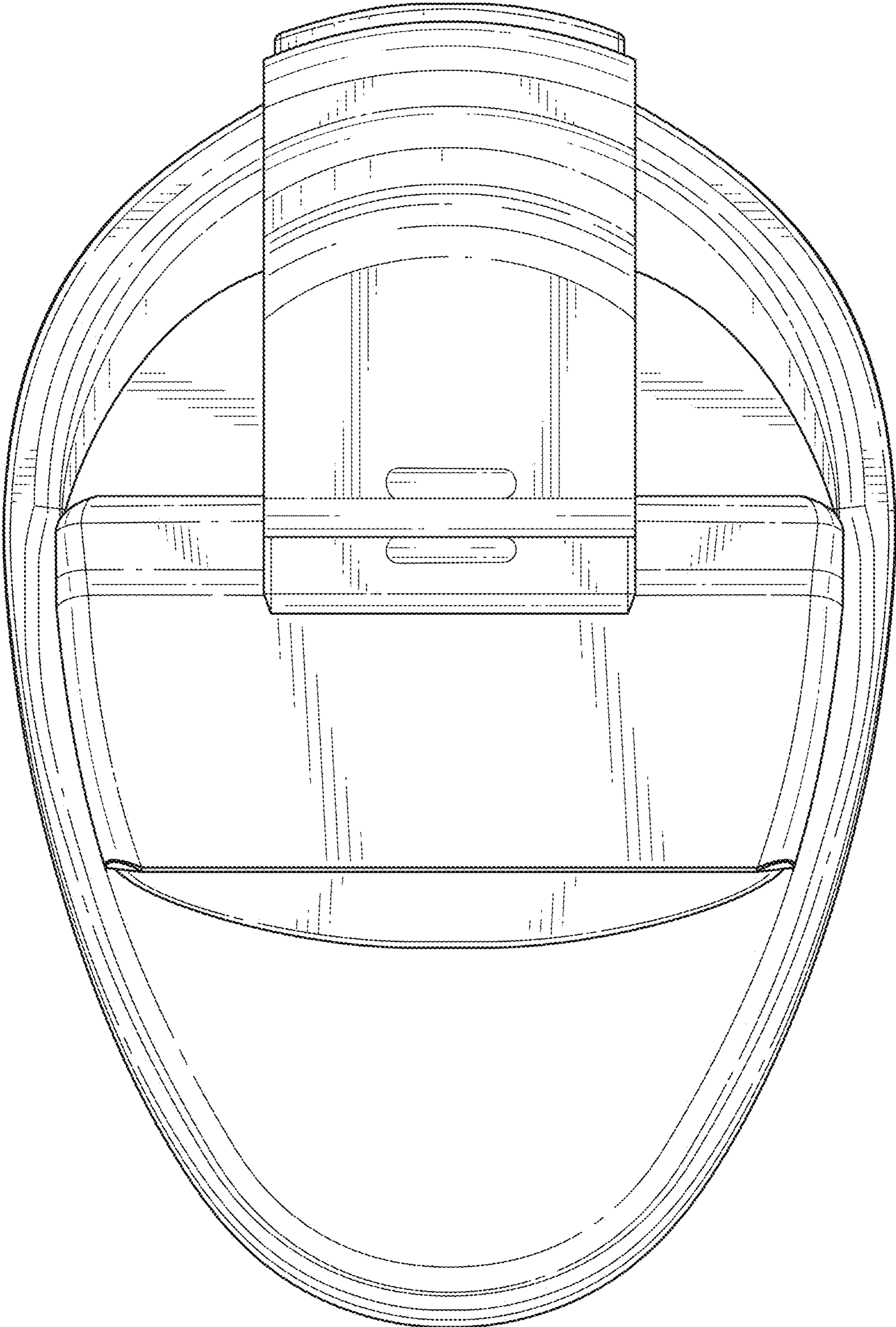


FIG. 7