



US00D968883S

(12) **United States Design Patent**
Chen

(10) **Patent No.:** **US D968,883 S**

(45) **Date of Patent:** **** Nov. 8, 2022**

(54) **BOTTLE LID**

(71) Applicant: **FUJIAN SPD E-COMMERCE CO., LTD.**, Xiamen (CN)

(72) Inventor: **Honghui Chen**, Xiamen (CN)

(73) Assignee: **FUJIAN SPD E-COMMERCE CO., LTD.**, Xiamen (CN)

(**) Term: **15 Years**

(21) Appl. No.: **29/823,440**

(22) Filed: **Jan. 17, 2022**

(51) **LOC (13) Cl.** **07-02**

(52) **U.S. Cl.**
USPC **D7/392.1**

(58) **Field of Classification Search**
USPC D7/312, 313, 316, 387, 388, 391, 392,
D7/392.1, 393, 396.1, 396.2, 397, 398,
D7/400; D9/434-442, 446, 447, 451,
D9/452, 453, 454
CPC B65D 47/2031; B65D 2251/0015; B65D
2251/0071; B65D 2251/20; B65D
85/8046; B65D 43/02; B65D 47/0866;
A61J 1/2096; A61J 1/2051; A61J 1/14;
A47J 31/0673; A47G 19/2272; A45F 3/16
See application file for complete search history.

(56) **References Cited**

U.S. PATENT DOCUMENTS

D811,879 S	3/2018	Way	
D853,181 S *	7/2019	Stanton	D7/392.1
D868,534 S *	12/2019	Lin	D7/392.1
D881,642 S *	4/2020	Zhang	D7/392.1
D896,024 S *	9/2020	Wang	D9/449
D899,187 S *	10/2020	Wang	D7/529
D905,498 S *	12/2020	Zhang	D7/392.1
D908,487 S	1/2021	Xia et al.	
D928,558 S *	8/2021	Han	D7/392.1
D937,036 S *	11/2021	Shi	D7/392.1

D941,629 S *	1/2022	Zhou	D7/392.1
D942,212 S *	2/2022	Zhou	D7/392.1
D942,808 S *	2/2022	Wang	D7/392.1
D947,597 S *	4/2022	Shi	D7/392.1
D951,701 S *	5/2022	Zhang	D7/392.1
D953,797 S *	6/2022	Ge	D7/392.1
D954,495 S *	6/2022	Wang	D7/392.1
D957,186 S *	7/2022	Wang	D7/392.1
D958,591 S *	7/2022	Hu	D7/392.1
2017/0253395 A1 *	9/2017	Matthis	B65D 47/0866

(Continued)

OTHER PUBLICATIONS

Aquatix 21 Ounce Flip Top Bottle Cap: Announced (Jul. 15, 2016; online). Site Visited (Sep. 6, 2022). Available from Internet URL: https://www.amazon.com/Aquatix-ounce-FlipTop-Bottle-Cap/dp/B0711BJR8D/ref=asc_df_B0711BJR8D/?tag=hyprod-20&linkCode=df0&hvadid=31214%E2%80%A6%202/6.*

(Continued)

Primary Examiner — Catherine S Posthauer

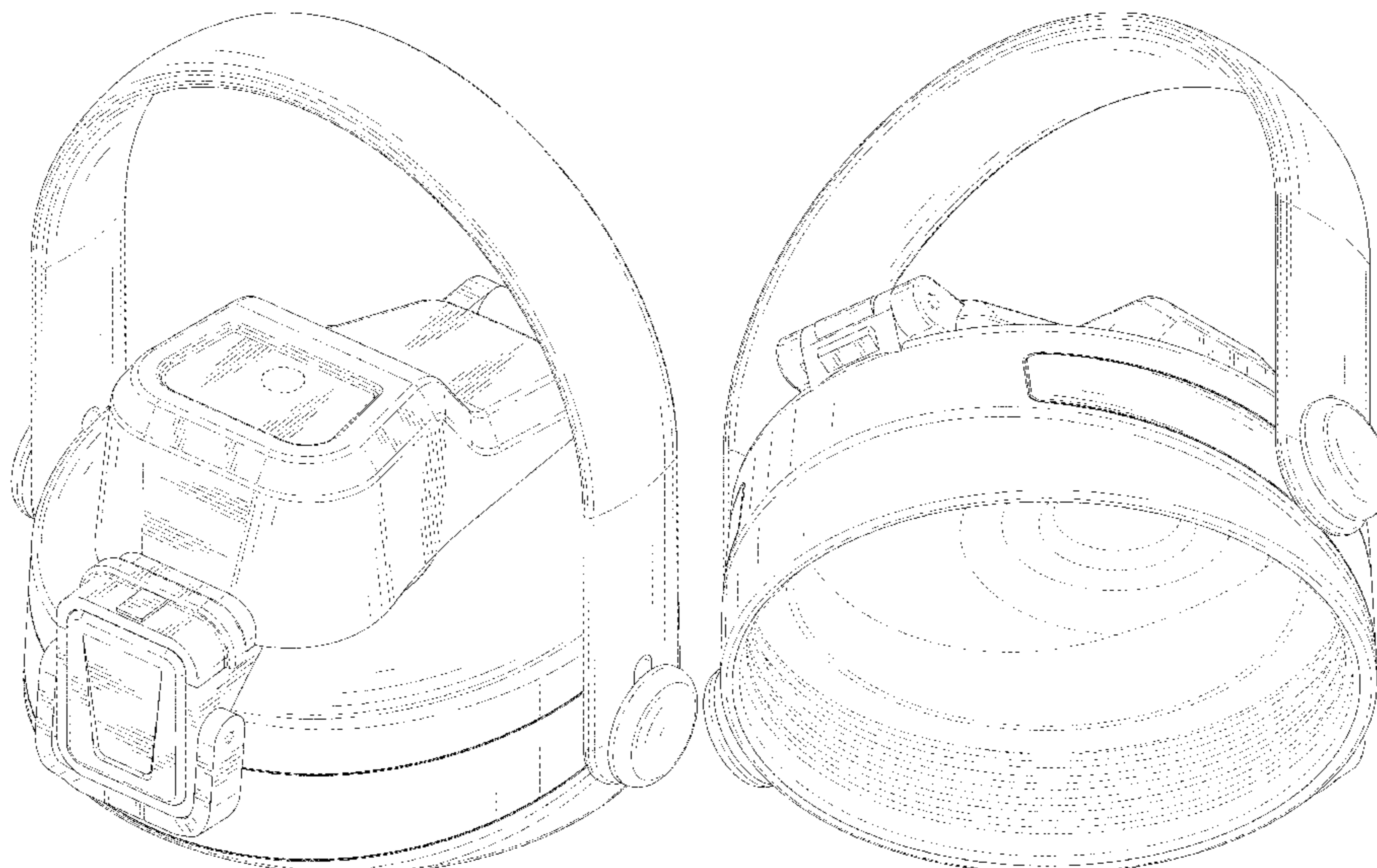
(57) **CLAIM**

The ornamental design for a bottle lid, as shown and described.

DESCRIPTION

FIG. 1 is a perspective view of a bottle lid showing my new design;
FIG. 2 is another perspective view thereof;
FIG. 3 is a front elevational view thereof;
FIG. 4 is a rear elevational view thereof;
FIG. 5 is a left side elevational view thereof;
FIG. 6 is a right side elevational view thereof;
FIG. 7 is a top plan view thereof;
FIG. 8 is a bottom plan view thereof; and,
FIG. 9 is an exploded perspective view of the bottle lid.
The broken lines in the drawings depict portions of the bottle lid that form no part of the claimed design.

1 Claim, 9 Drawing Sheets



(56)

References Cited

U.S. PATENT DOCUMENTS

2017/0297785 A1* 10/2017 Maruyama B65D 41/04

OTHER PUBLICATIONS

EYQ Water Bottle Straw Lid: Announced (Jul. 8, 2021; online). Site Visited (Sep. 6, 2022). Available from Internet URL: https://www.amazon.com/EYQ-Accessories-Leakproof-Reusable-Fitness/dp/B098WZW3N1/ref=sr_1_57?crd=3KTKLP5QPD65U&keywords=Flip%2BTop%2BWater%2BBottle%2BCap&qid=1662478029&srefix=flip%2Btop%2Bwater%2Bbottle%2Bcap%2Caps%2C90&sr=8-57&th=1.*

Auto Flip Lid: Announced (Jun. 8, 2022; Online). Site Visited (Sep. 6, 2022). Available from Internet URL: https://www.amazon.com/dp/B0B3MD7HBM/ref=sspa_dk_detail_0?psc=1&pf_rd_p=bff6e147-54ad-4be3-b4ea-ec19ea6167f7&pf_rd_r=076RRDXDTWW128QRSKW7&pd_rd_wg=28VBa&pd_rd_w=ITdWF&content-id=amzn1.sym.bff6e147-54ad-4be3-b4ea-ec19ea6167f7&pd_rd_r=514ed068-00f9-4112-afb5-d240c7cf38b7&s=sporting-goods&sp_csd=d2lkZ2V0TmFtZT1zcF9kZ.*

* cited by examiner

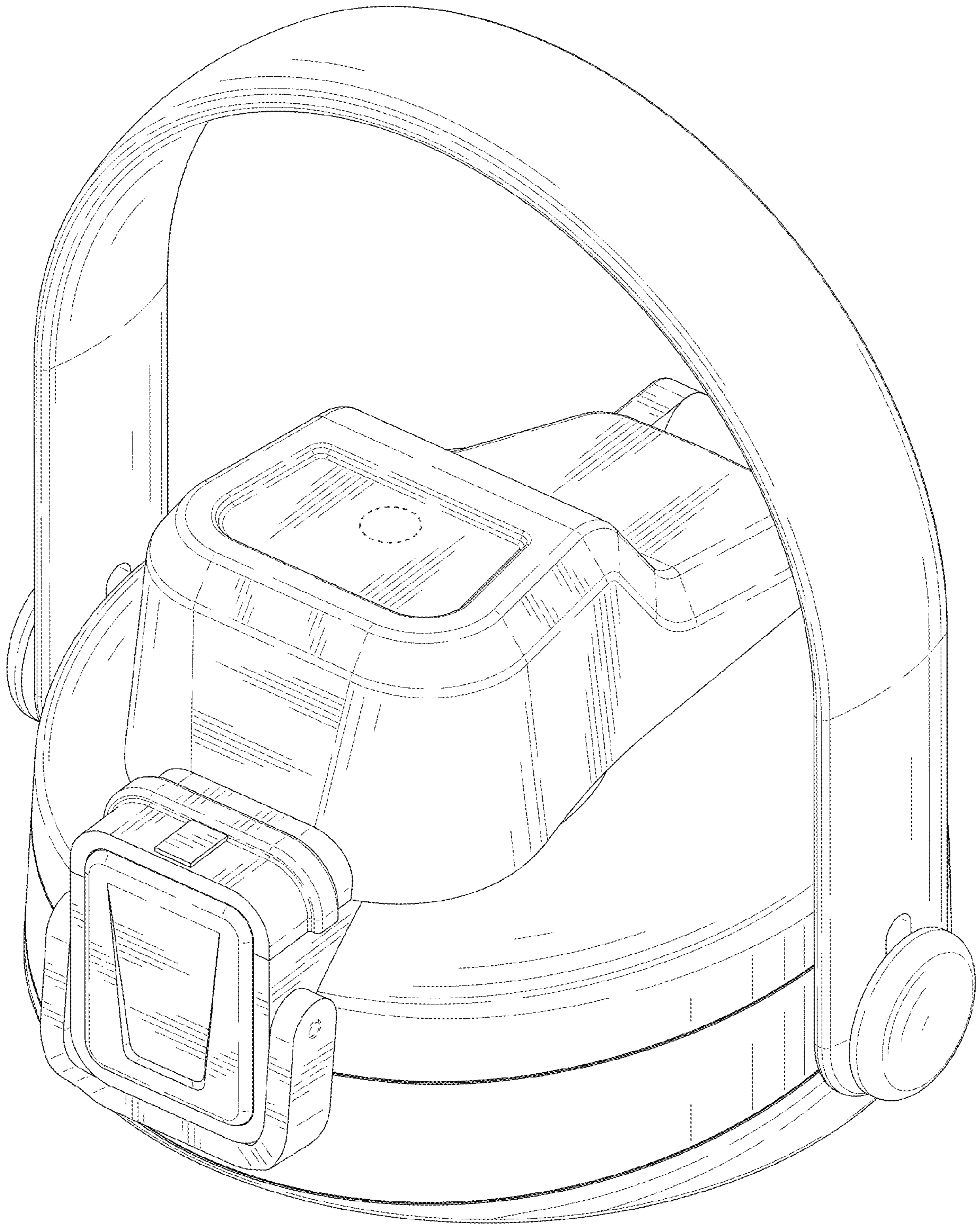


FIG. 1

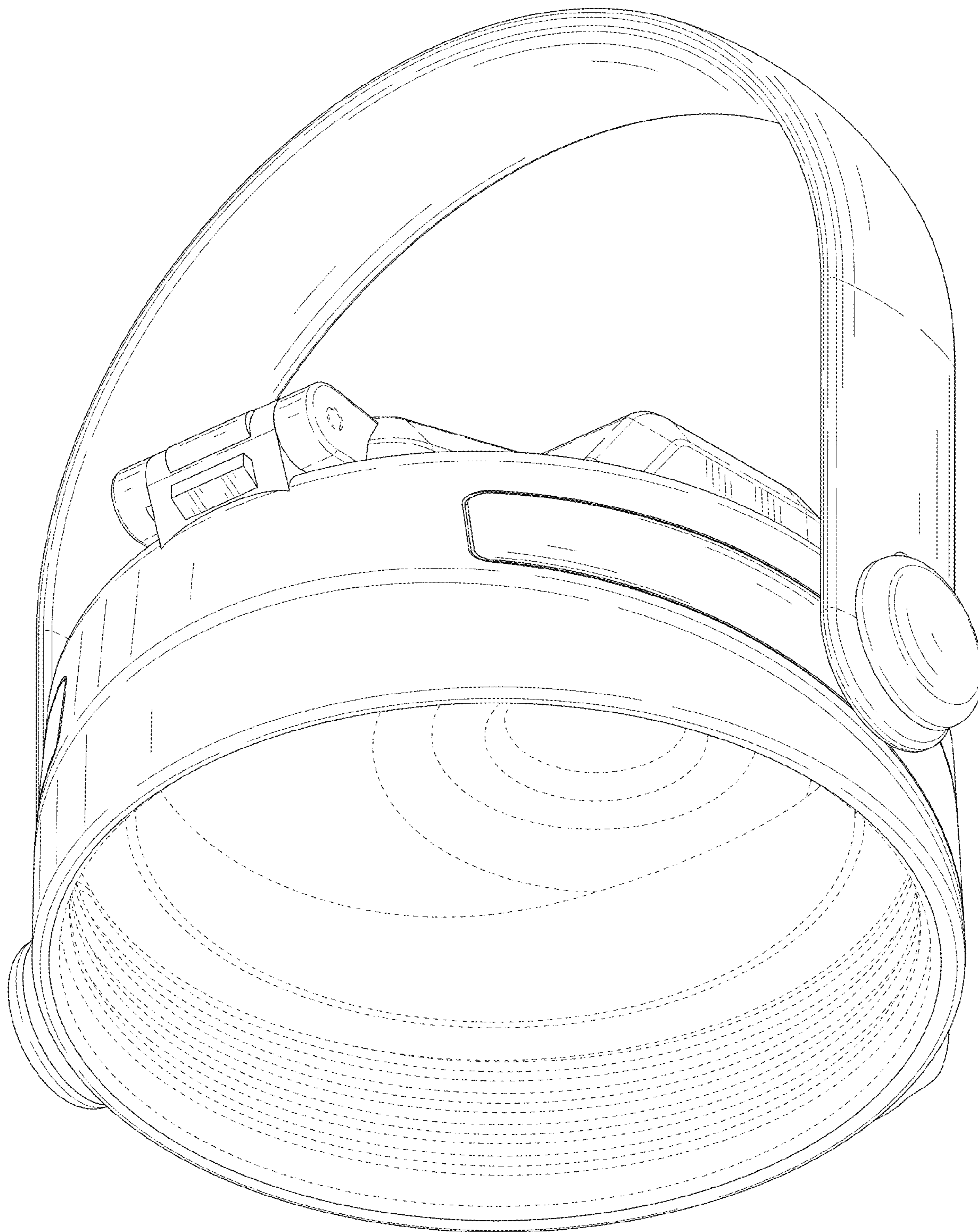


FIG. 2

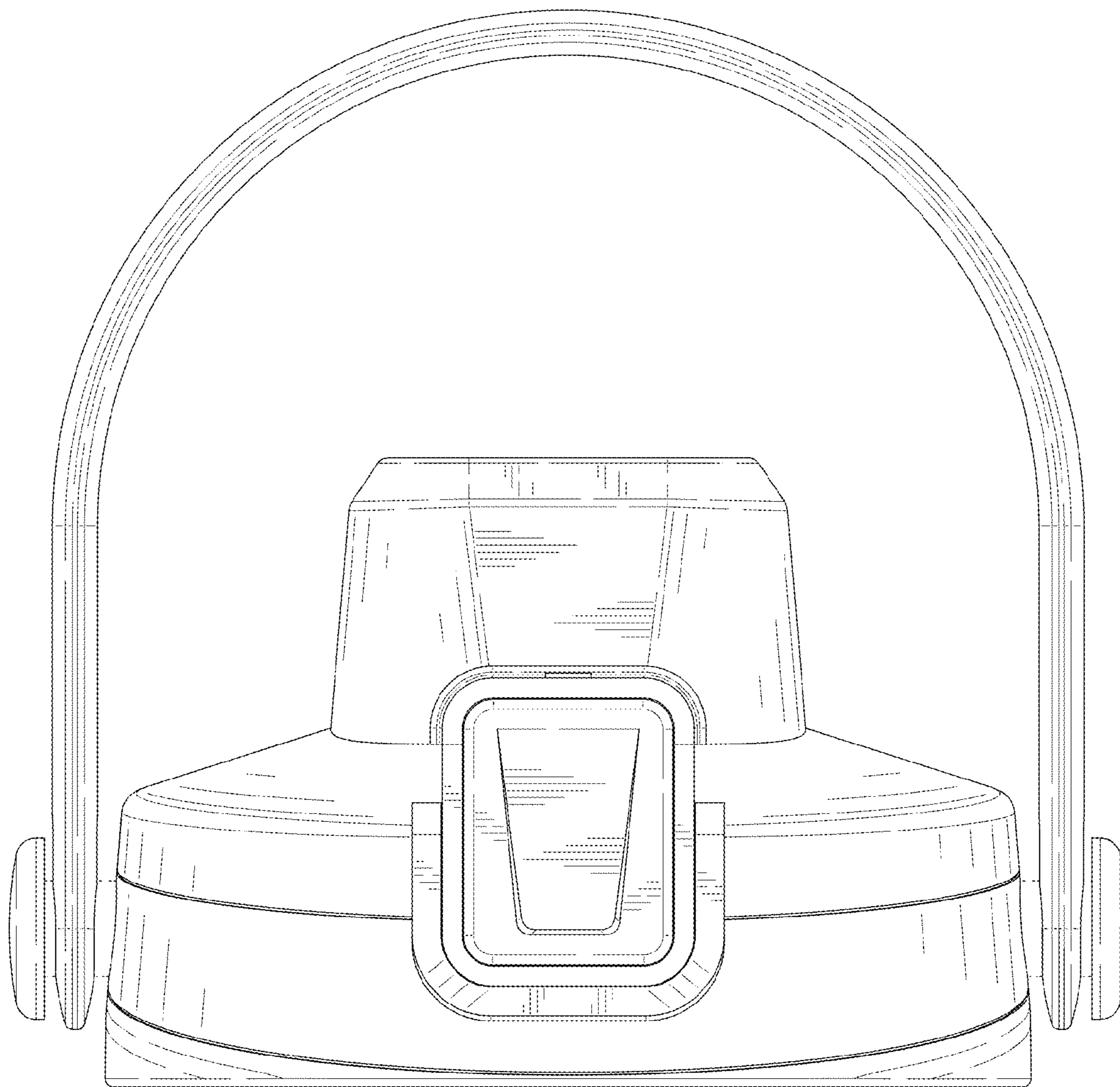


FIG. 3

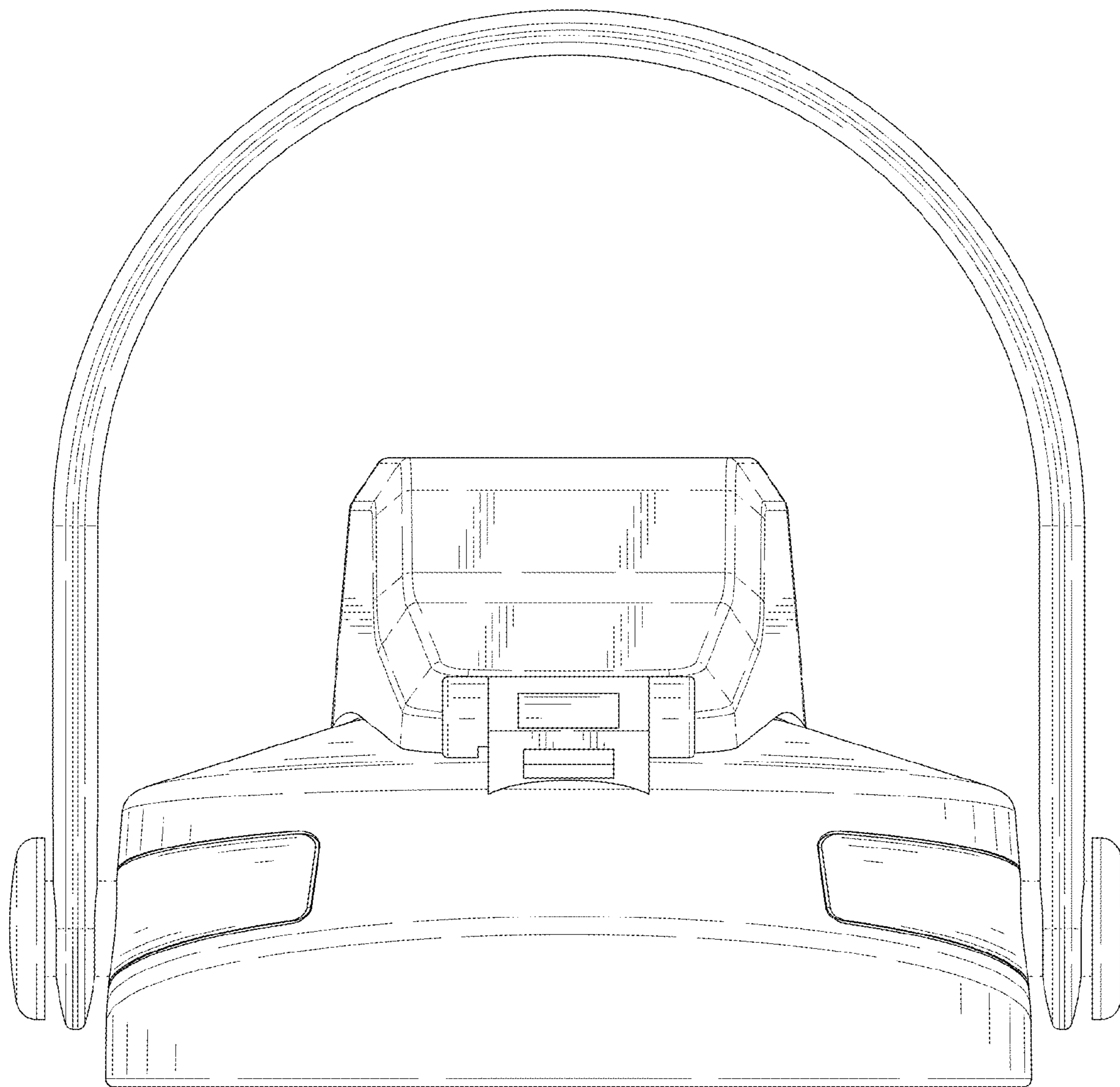


FIG. 4

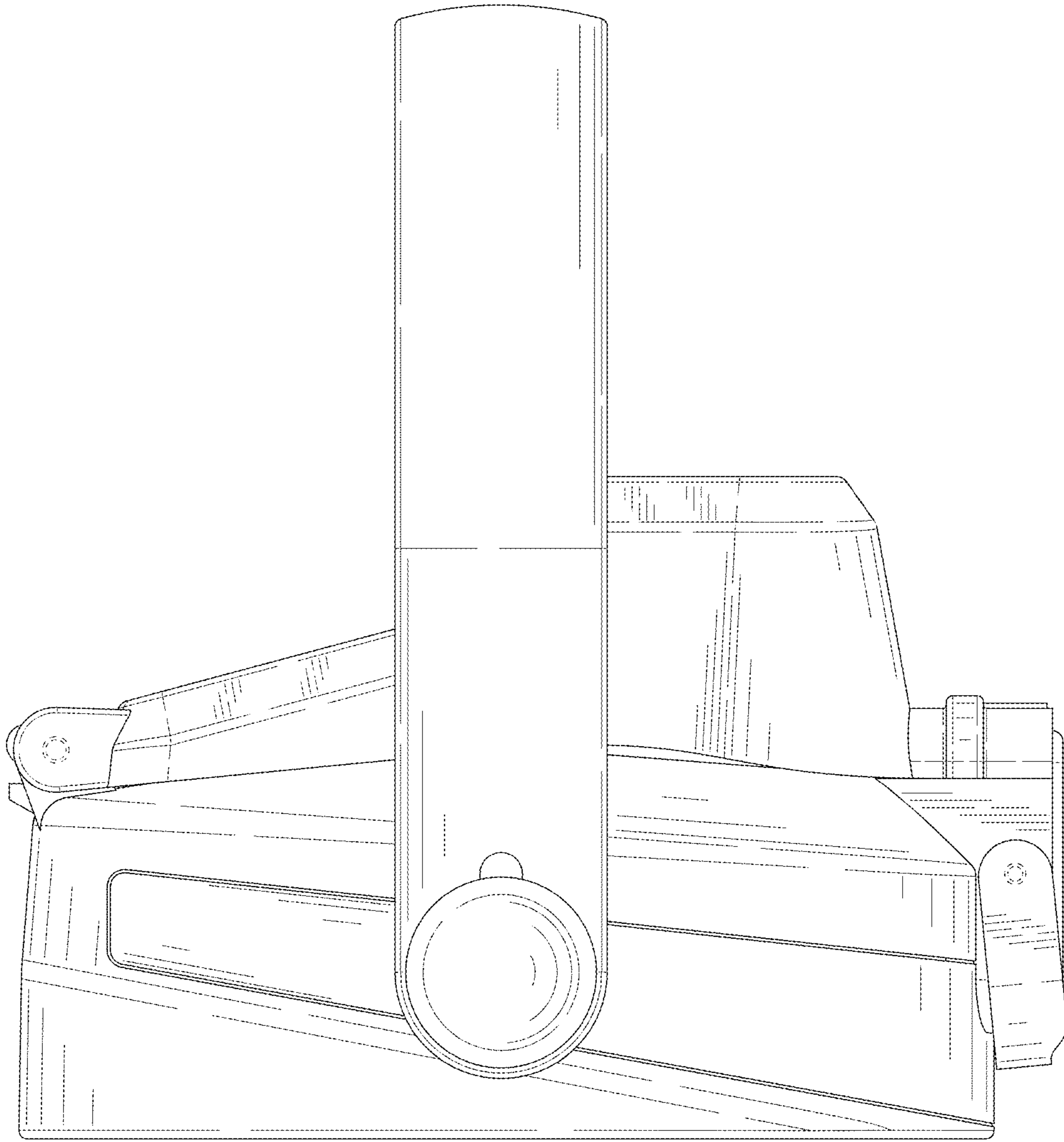


FIG. 5

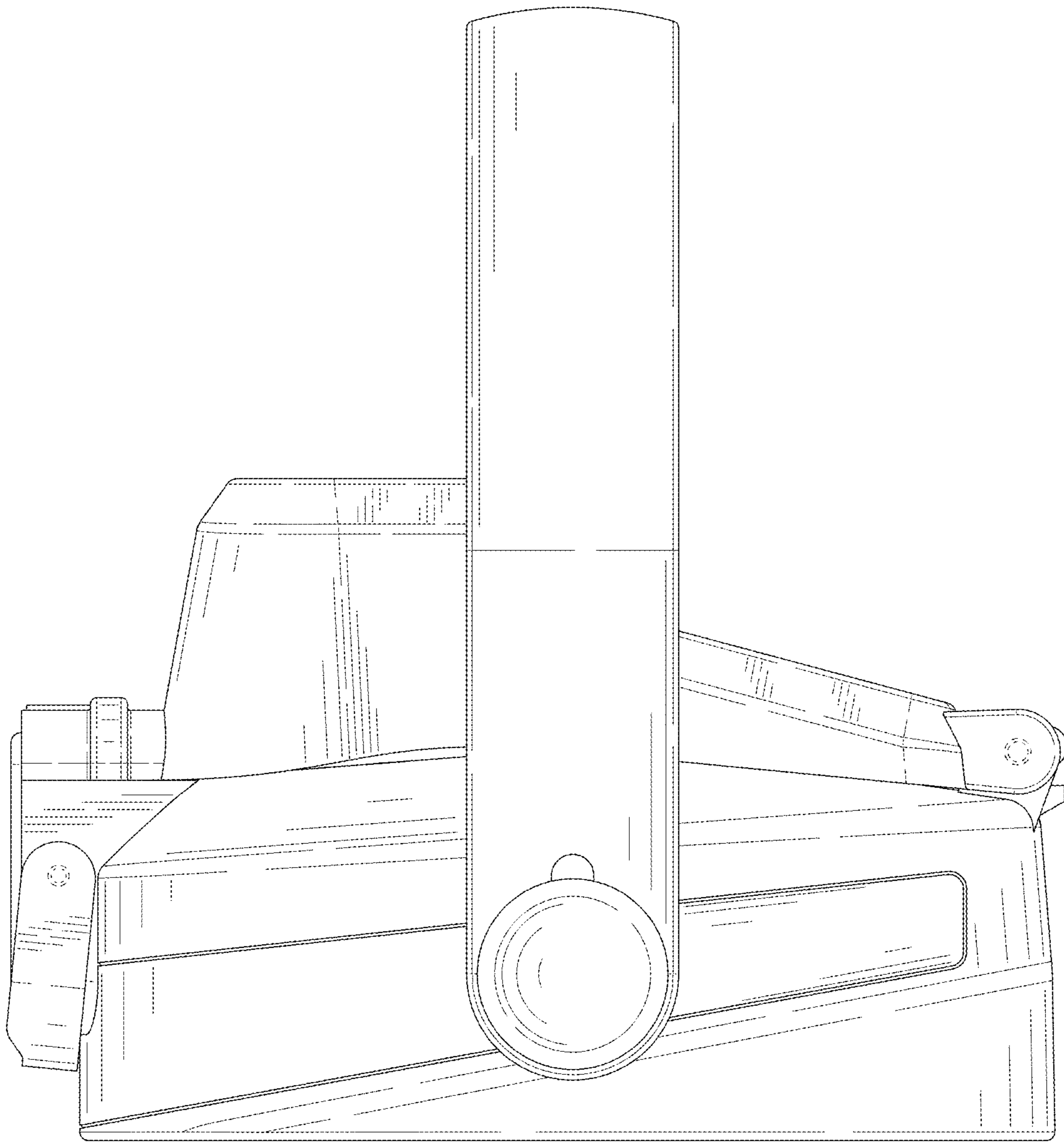


FIG. 6

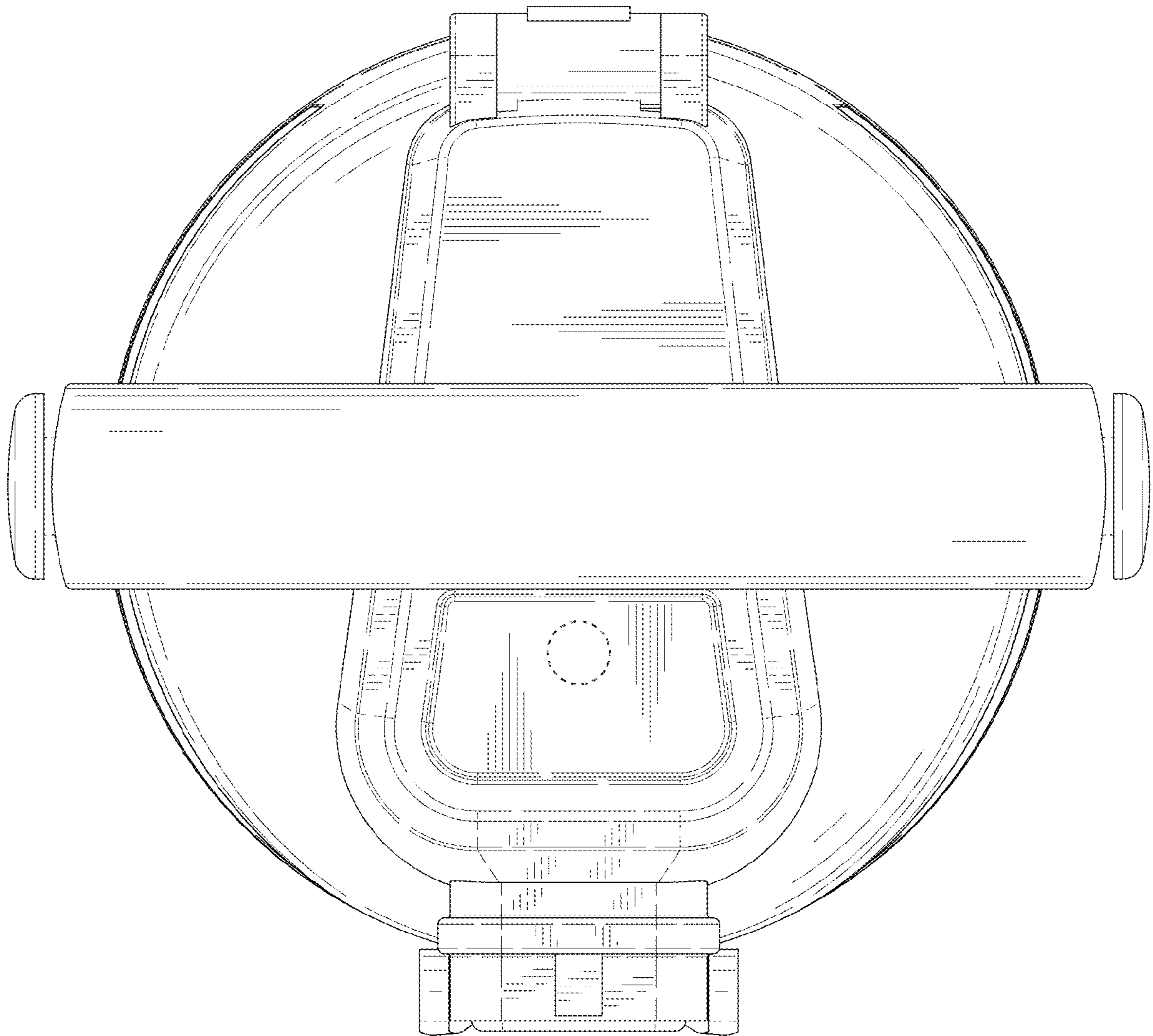


FIG. 7

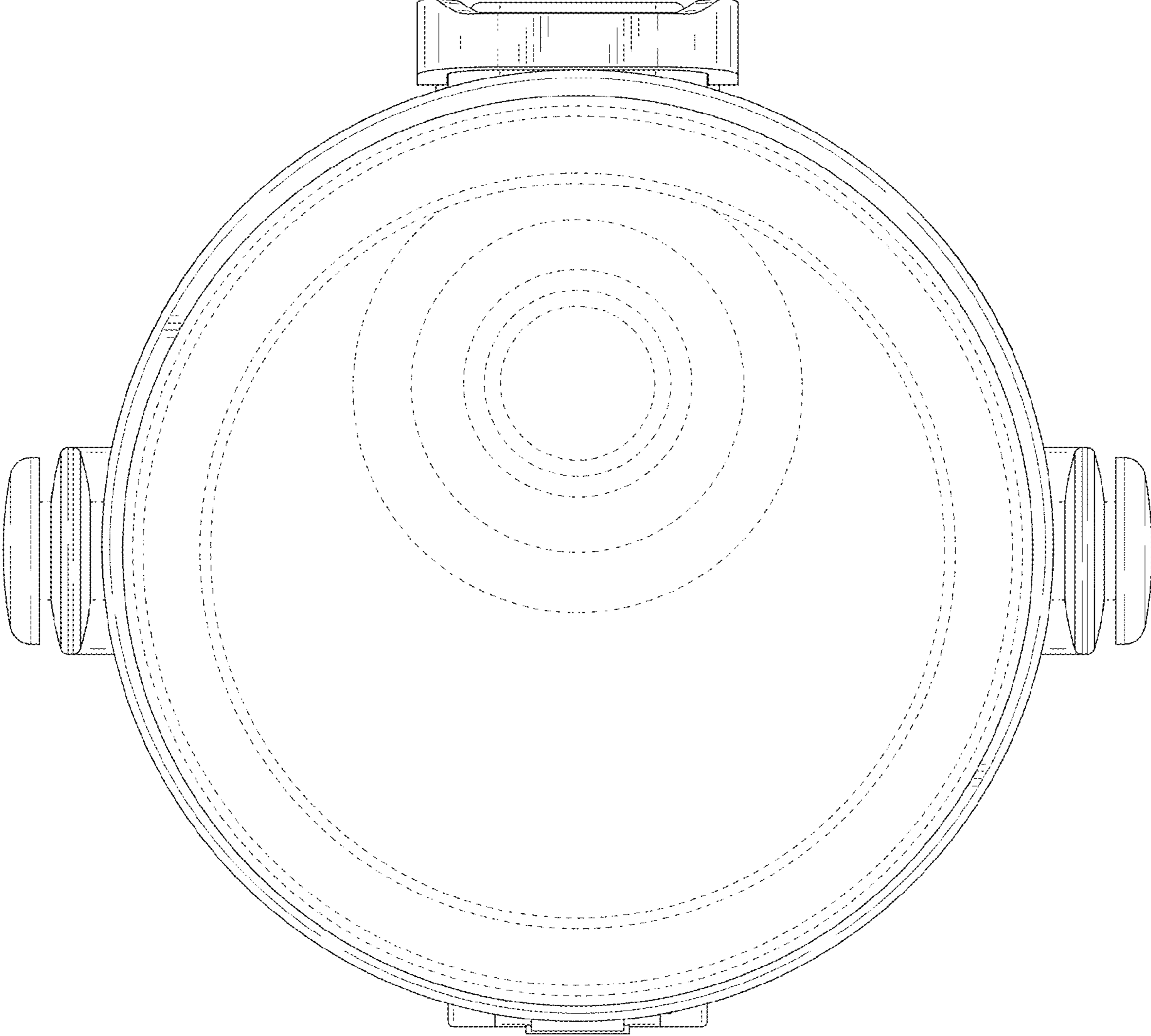


FIG. 8

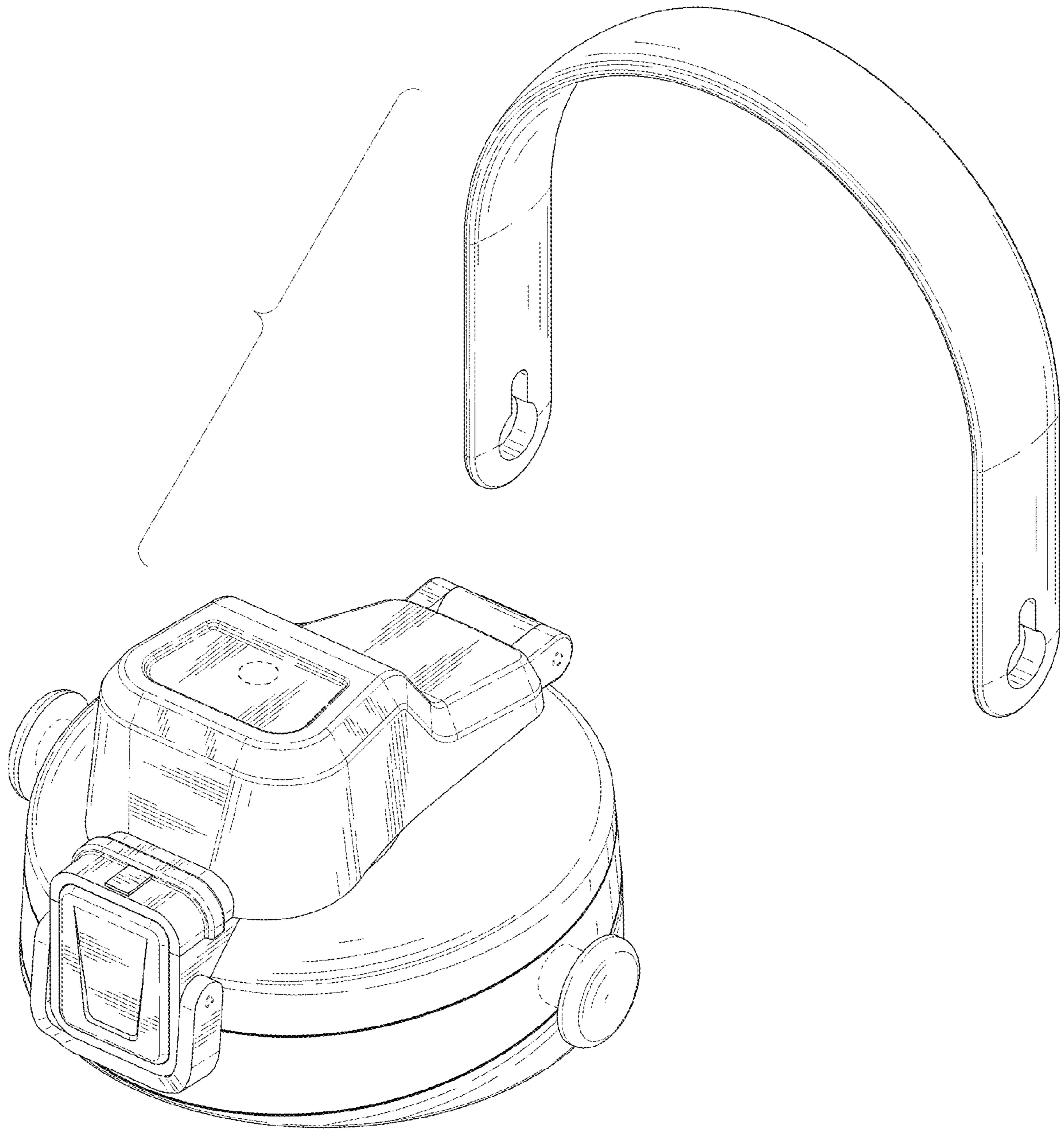


FIG. 9