



US00D96882S

(12) **United States Design Patent**
Chen

(10) **Patent No.:** **US D968,882 S**

(45) **Date of Patent:** **** Nov. 8, 2022**

(54) **BOTTLE LID**

(71) Applicant: **Wenfang Chen**, Xiamen (CN)

(72) Inventor: **Wenfang Chen**, Xiamen (CN)

(**) Term: **15 Years**

(21) Appl. No.: **29/808,628**

(22) Filed: **Sep. 22, 2021**

(51) **LOC (13) Cl.** **07-02**

(52) **U.S. Cl.**

USPC **D7/392.1**; D9/443; D7/396.2

(58) **Field of Classification Search**

USPC D7/392, 392.1, 619.1, 507, 509-511;
D9/443, 439, 440, 435, 531

CPC . A47G 19/2272; B65D 83/205; B65D 83/206

See application file for complete search history.

(56) **References Cited**

U.S. PATENT DOCUMENTS

D719,780 S	*	12/2014	Sullivan	D7/392.1
D816,397 S	*	5/2018	Karl, IV	D9/453
D817,084 S	*	5/2018	Hammer	D7/392.1
D817,085 S	*	5/2018	Davis	D7/392.1
D824,721 S	*	8/2018	Hu	D7/392.1
D848,786 S	*	5/2019	Bujalska	D7/392.1
D858,181 S	*	9/2019	Lown	D9/449
D867,811 S	*	11/2019	Lane	D7/392.1
D870,509 S	*	12/2019	Bo	D7/392.1
D900,536 S	*	11/2020	Yao	D7/392.1
D917,953 S	*	5/2021	Yao	
D922,136 S	*	6/2021	Lin	D9/449
D935,266 S	*	11/2021	Chen	D7/392.1
D935,836 S	*	11/2021	Wang	D9/449
D946,345 S	*	3/2022	Yao	D7/392.1

OTHER PUBLICATIONS

Amazon website, The Coldest Chug Lid and Shaker Lid, Date first available on Amazon Apr. 7, 2021, [site visited Sep. 16, 2022],

Available on the Internet URL www.amazon.com/Coldest-Shaker-Bottles-Protein-Healthy/dp/B0921PJM92 (Year: 2021).*

Amazon website, Spout Lid for Hydro Flask Wide Mouth Sport Water Bottles, Date first available on Amazon Jun. 28, 2019, [site visited Sep. 16, 2022], Available on the Internet URL www.amazon.com/Cheetah-Bottles-Replacement-Accessories-Wide-Mouth/dp/B07SHFQ3BX (Year: 2019).*

* cited by examiner

Primary Examiner — S. Bryan Reinholdt, Jr.

(57) **CLAIM**

The ornamental design for a bottle lid, as shown and described.

DESCRIPTION

FIG. 1 is a perspective view of a bottle lid showing my new design;

FIG. 2 is another perspective view thereof;

FIG. 3 is a front elevational view thereof;

FIG. 4 is a rear elevational view thereof;

FIG. 5 is a left side elevational view thereof;

FIG. 6 is a right side elevational view thereof;

FIG. 7 is a top plan view thereof;

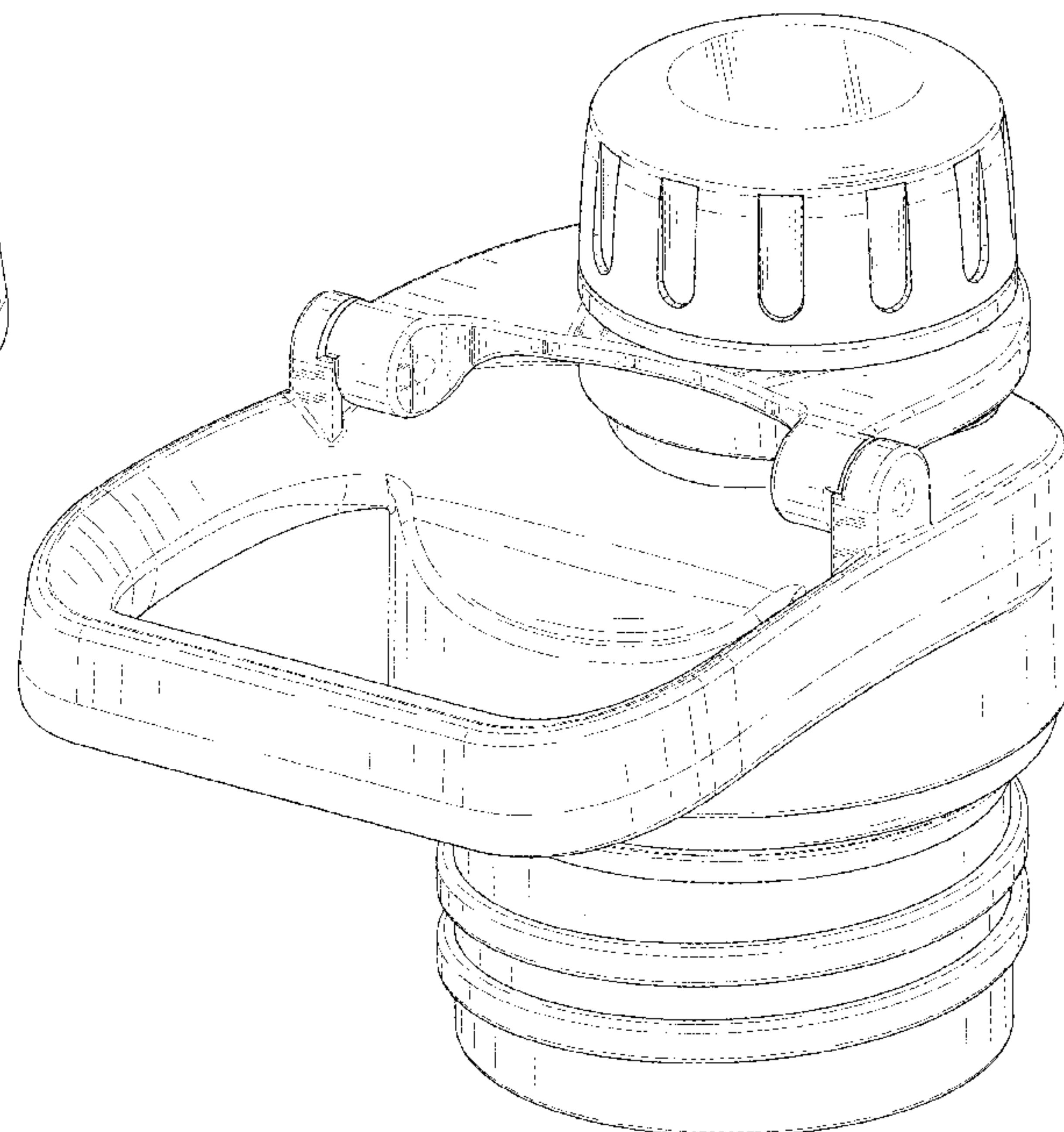
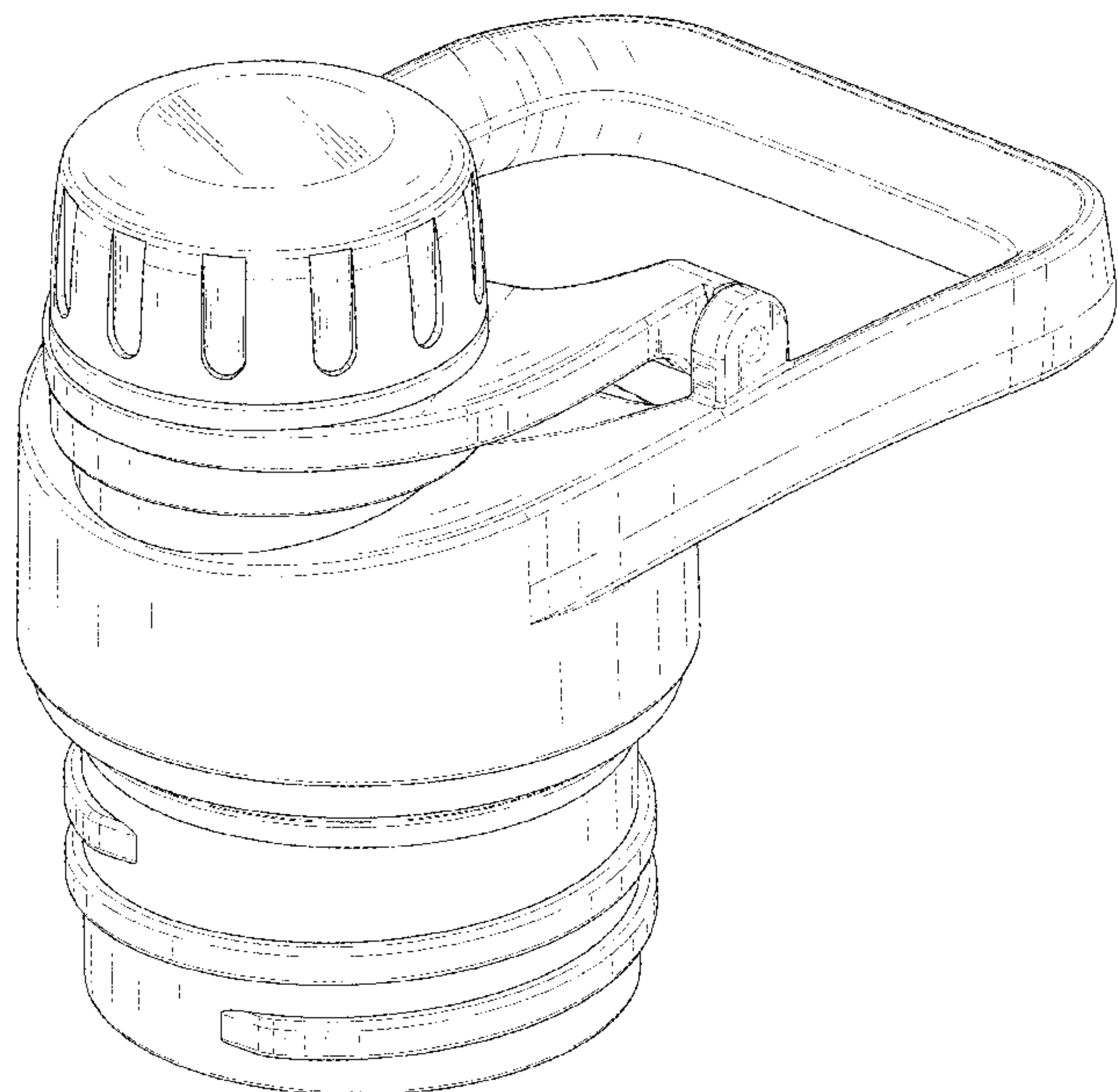
FIG. 8 is a bottom plan view thereof; and,

FIG. 9 is a perspective view of the bottle lid where the bottle lid is in a configuration of use.

The broken lines in the drawings depict portions of the bottle lid that form no part of the claimed design.

The broken lines in FIG. 9 depict environment of a bottle that forms no part of the claimed design.

1 Claim, 9 Drawing Sheets



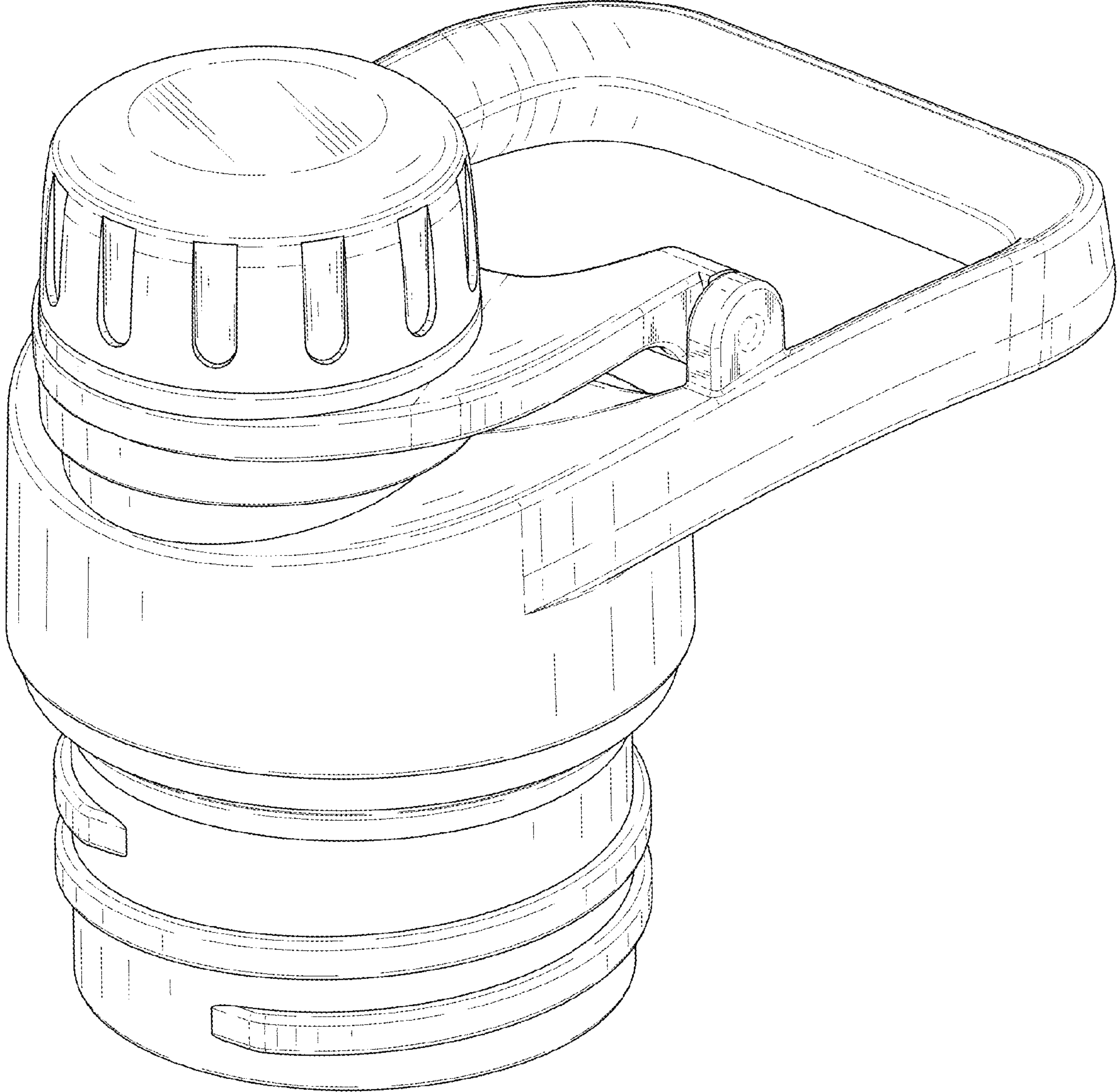


FIG. 1

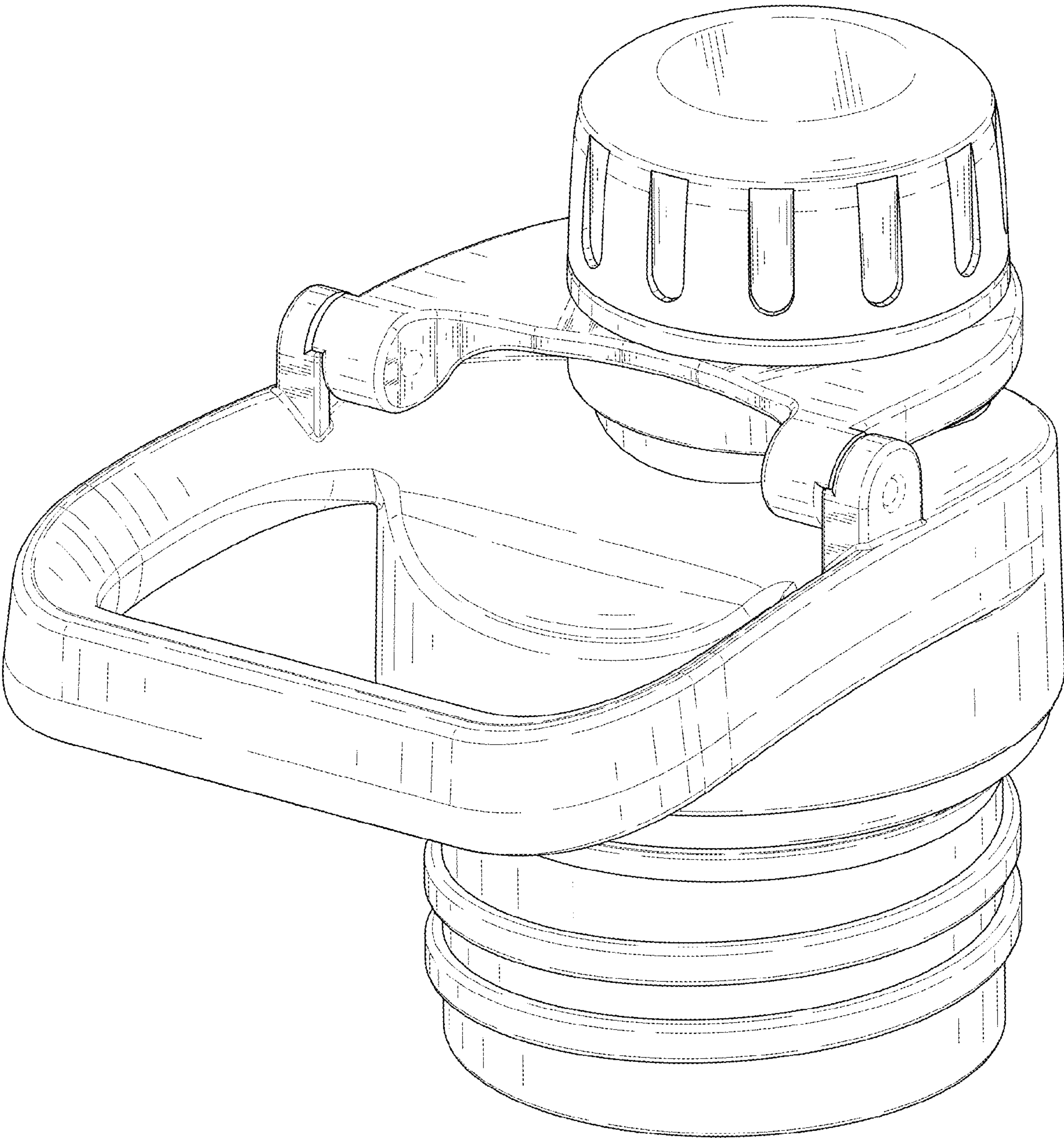


FIG. 2

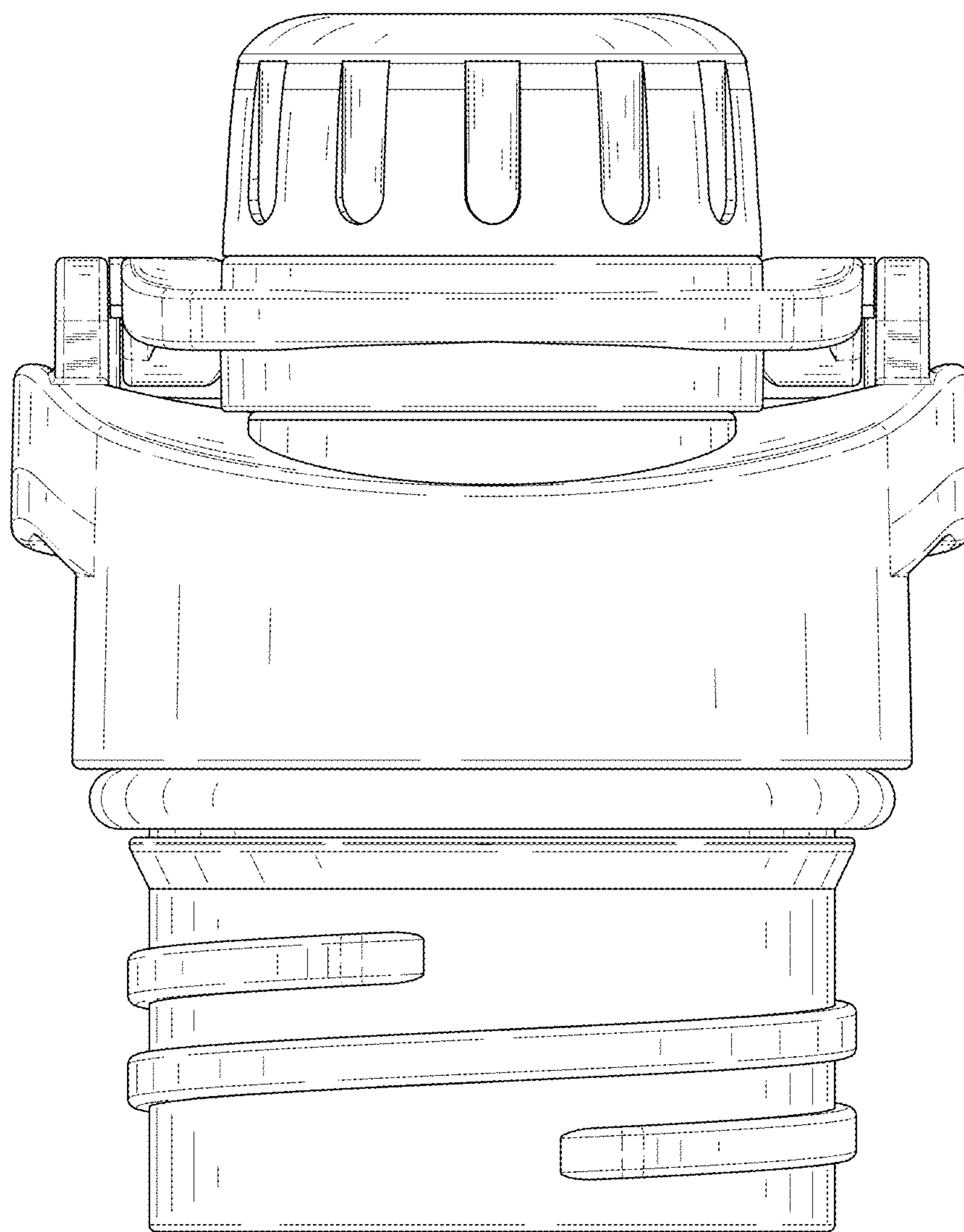


FIG. 3

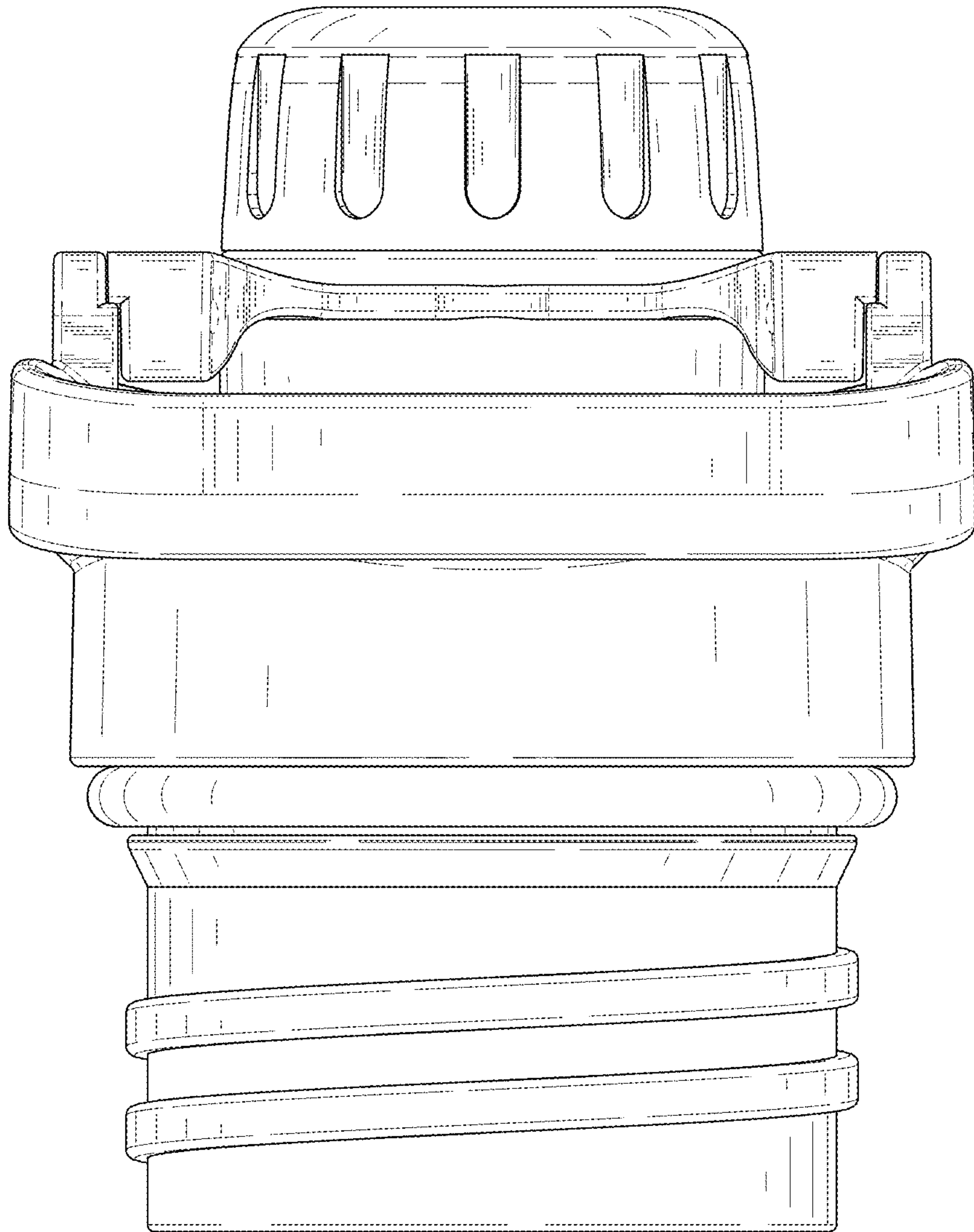


FIG. 4

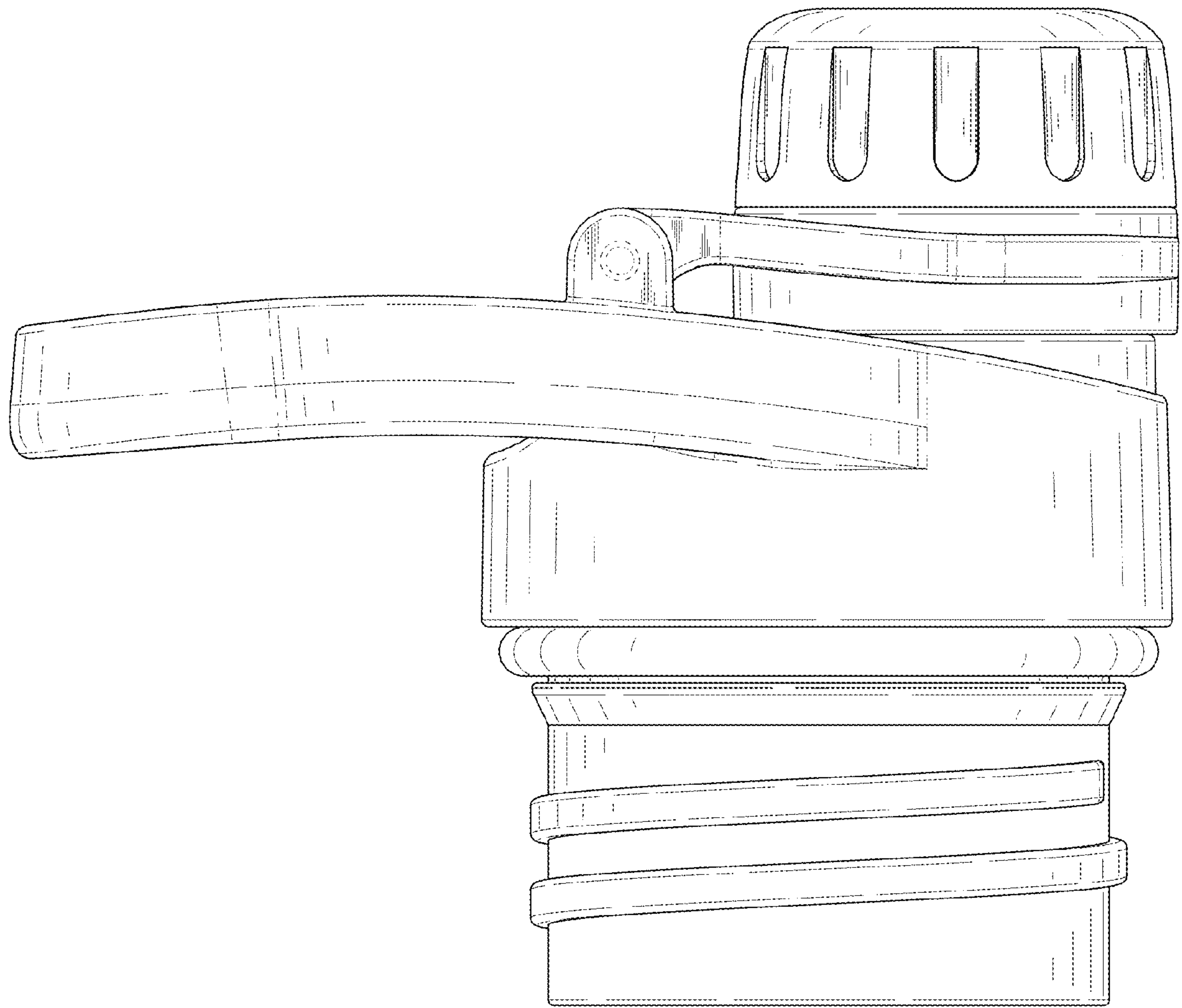


FIG. 5

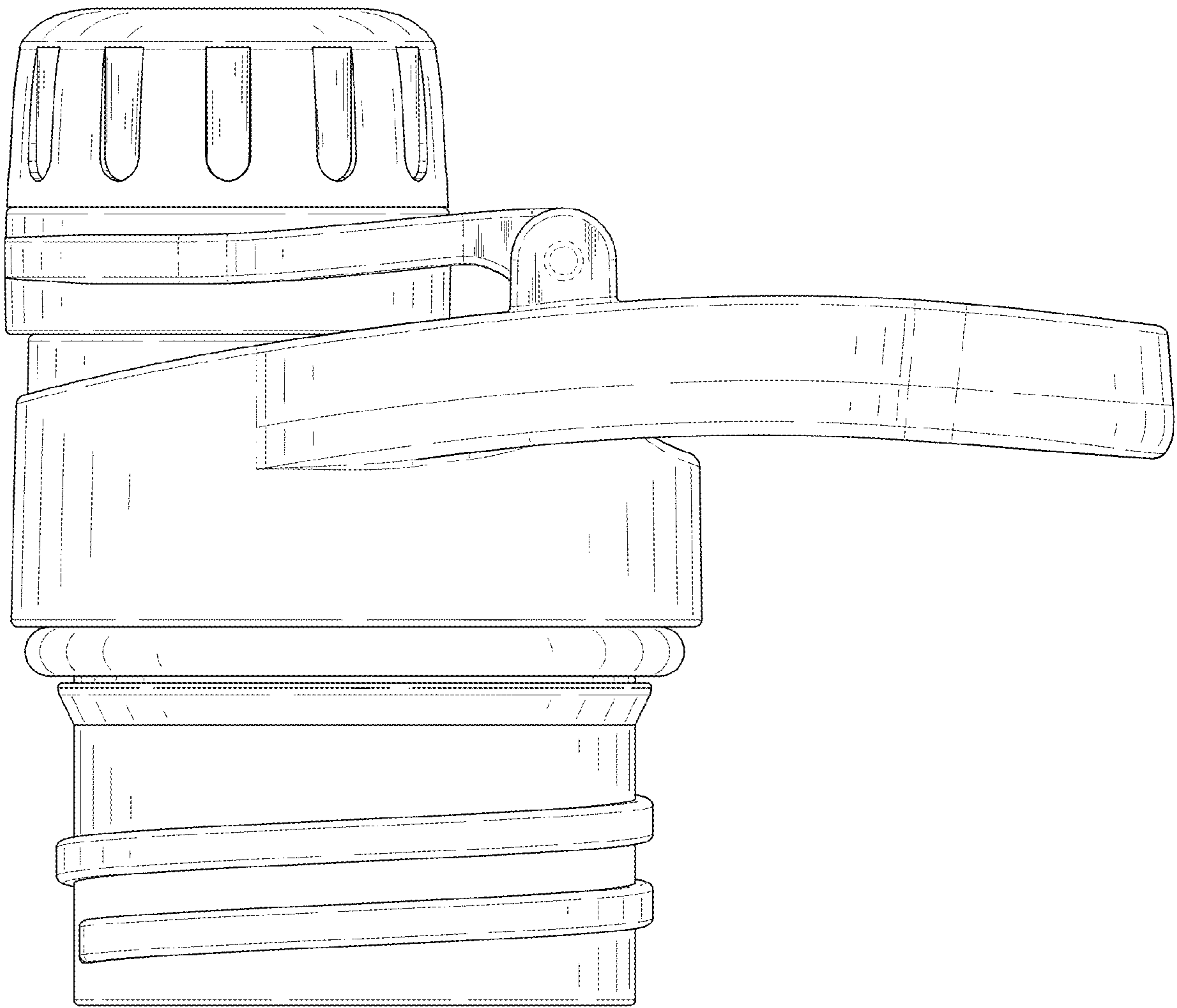


FIG. 6

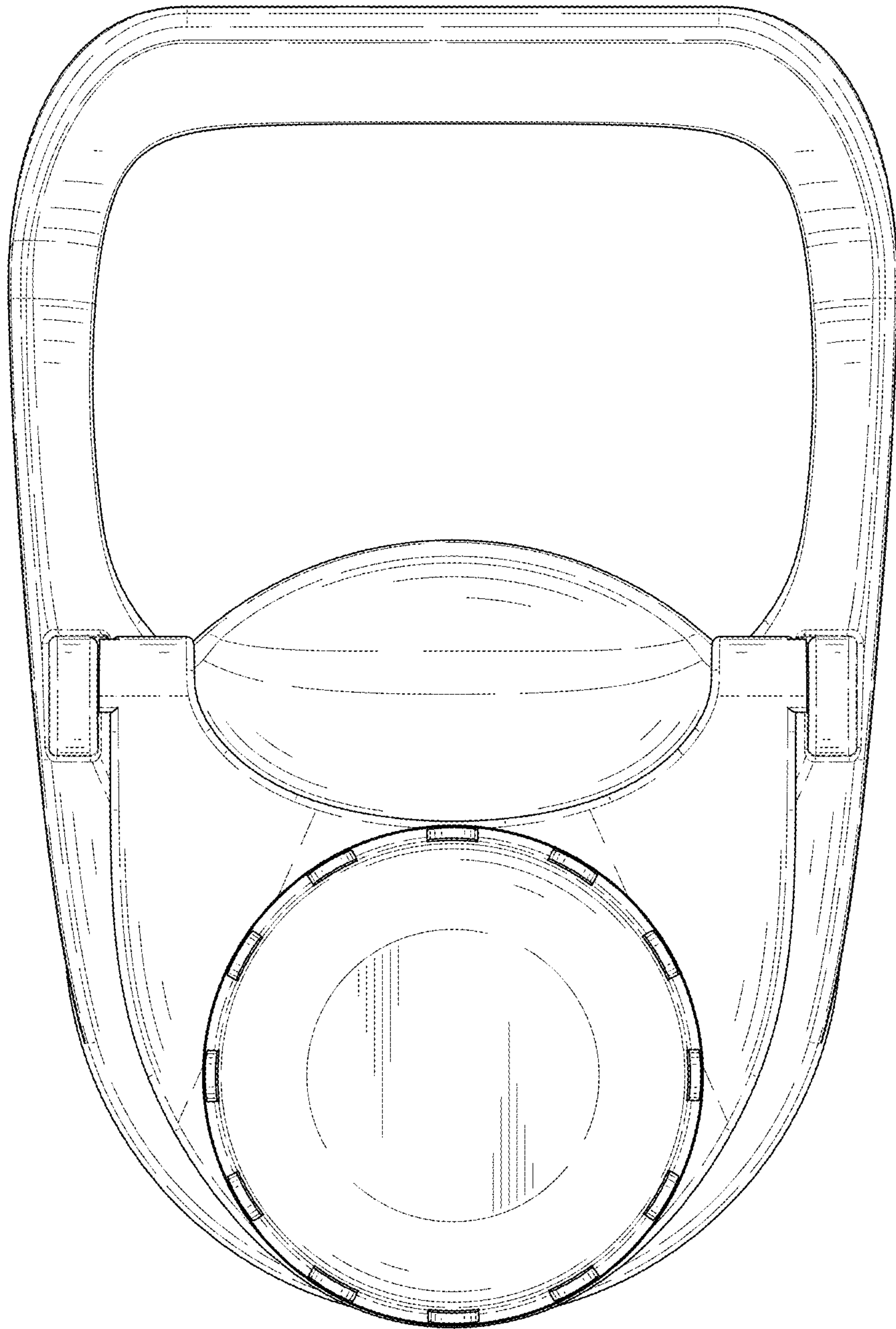


FIG. 7

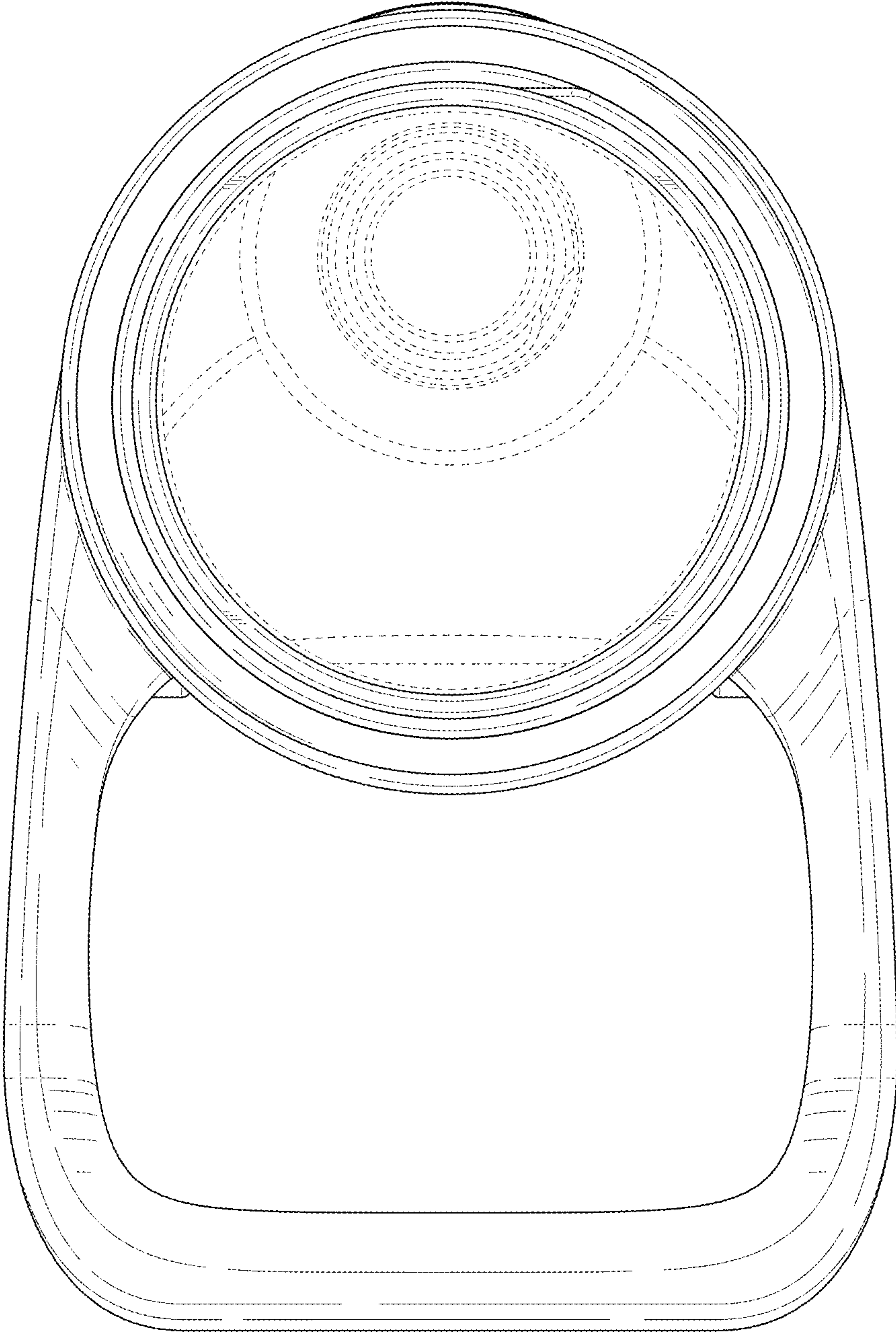


FIG. 8

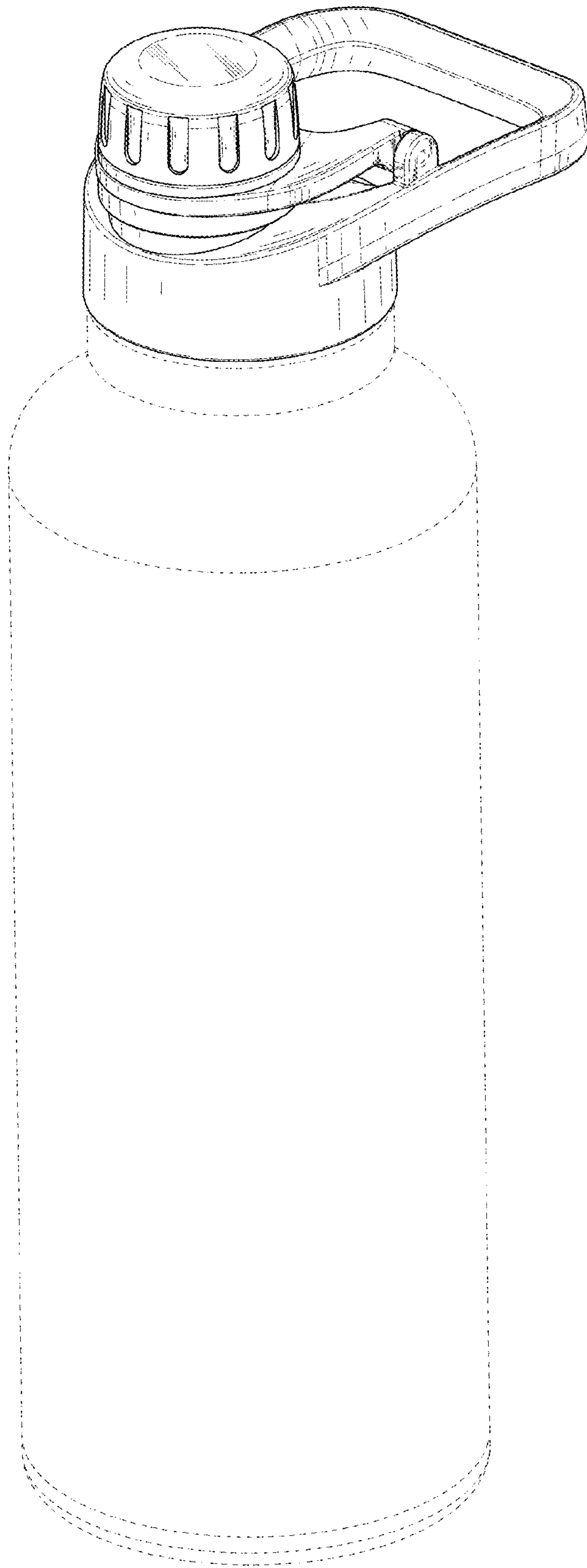


FIG. 9