



US00D968881S

(12) **United States Design Patent**
Huang

(10) **Patent No.:** **US D968,881 S**

(45) **Date of Patent:** **** Nov. 8, 2022**

(54) **BOTTLE LID**

(71) Applicant: **Mufa Huang**, Xiamen (CN)

(72) Inventor: **Mufa Huang**, Xiamen (CN)

(**) Term: **15 Years**

(21) Appl. No.: **29/808,624**

(22) Filed: **Sep. 22, 2021**

(51) **LOC (13) Cl.** **07-02**

(52) **U.S. Cl.**

USPC **D7/392.1**; D9/443; D7/396.2

(58) **Field of Classification Search**

USPC D7/392, 392.1, 619.1, 507, 509–511;
D9/443, 439, 440, 435, 531

CPC . A47G 19/2272; B65D 83/205; B65D 83/206

See application file for complete search history.

(56) **References Cited**

U.S. PATENT DOCUMENTS

D729,569 S *	5/2015	Herbst	D7/510
D756,702 S *	5/2016	Joseph	D7/392.1
D808,711 S *	1/2018	Joseph	D7/392.1
D811,810 S *	3/2018	Joseph	D7/392.1
D814,855 S *	4/2018	Hammer	D7/392.1
D862,156 S *	10/2019	Meyers	D7/392.1
10,455,959 B2 *	10/2019	Coon	B65D 47/0871
D870,508 S *	12/2019	Palkon	D7/392.1
D911,101 S *	2/2021	Fang	D9/450
D917,953 S	5/2021	Yao		
D920,737 S *	6/2021	Armistead	D7/392
D922,136 S	6/2021	Lin et al.		

D938,223 S *	12/2021	Chen	D7/392.1
2012/0187075 A1 *	7/2012	El-Saden	B65D 51/242
				215/389
2019/0161251 A1 *	5/2019	Fang	B65D 47/066

OTHER PUBLICATIONS

Amazon website, Zak Designs Minecraft Kids Water Bottle, Date first available on Amazon Nov. 5, 20218, [site visited Sep. 10, 2022], Available on the Internet URL www.amazon.com/Zak-Designs-MICB-T470-Minecraft-Bottles/dp/B07K6XRPZQ (Year: 2018).*

* cited by examiner

Primary Examiner — S. Bryan Reinholdt, Jr.

(57) **CLAIM**

The ornamental design for a bottle lid, as shown and described.

DESCRIPTION

FIG. 1 is a perspective view of a bottle lid showing my new design;

FIG. 2 is another perspective view thereof;

FIG. 3 is a front elevational view thereof;

FIG. 4 is a rear elevational view thereof;

FIG. 5 is a left side elevational view thereof;

FIG. 6 is a right side elevational view thereof;

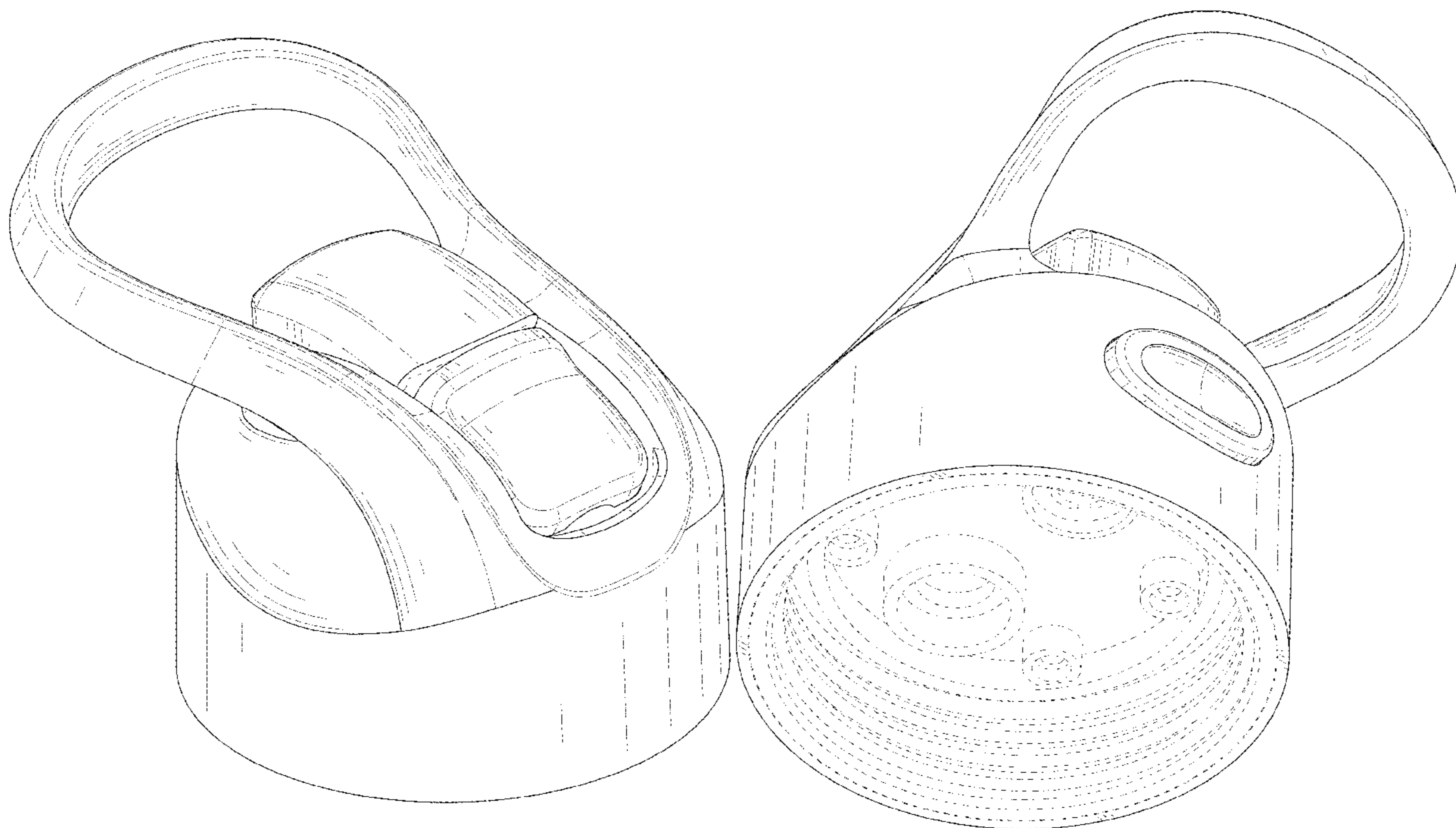
FIG. 7 is a top plan view thereof;

FIG. 8 is a bottom plan view thereof; and,

FIG. 9 is a perspective view of the bottle lid in a configuration of use with environment.

The broken lines in FIGS. 2 and 8 depict portions of the bottle lid that form no part of the claimed design. The broken lines in FIG. 9 depict environment of a bottle that form no part of the claimed design.

1 Claim, 9 Drawing Sheets



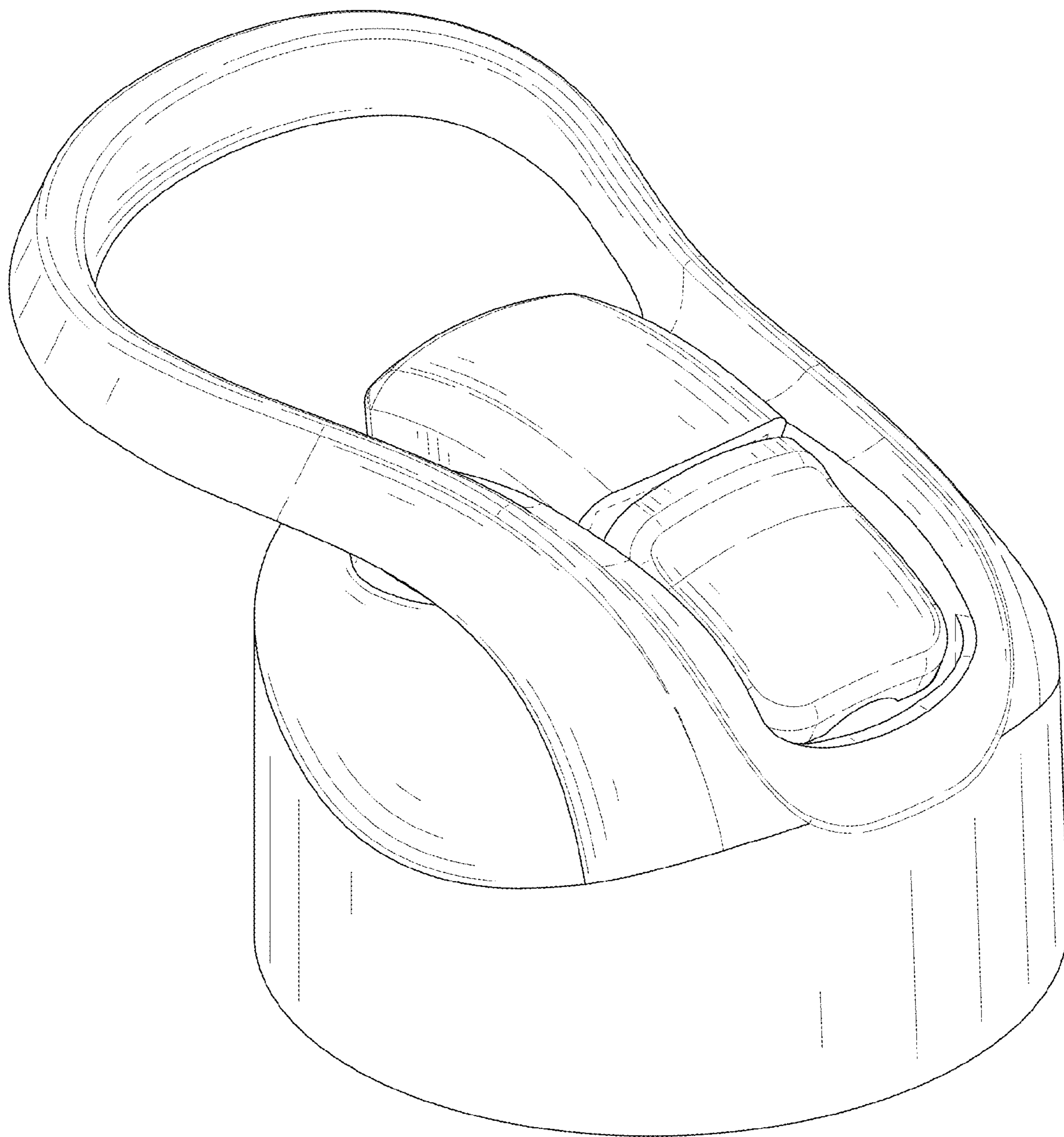


FIG. 1

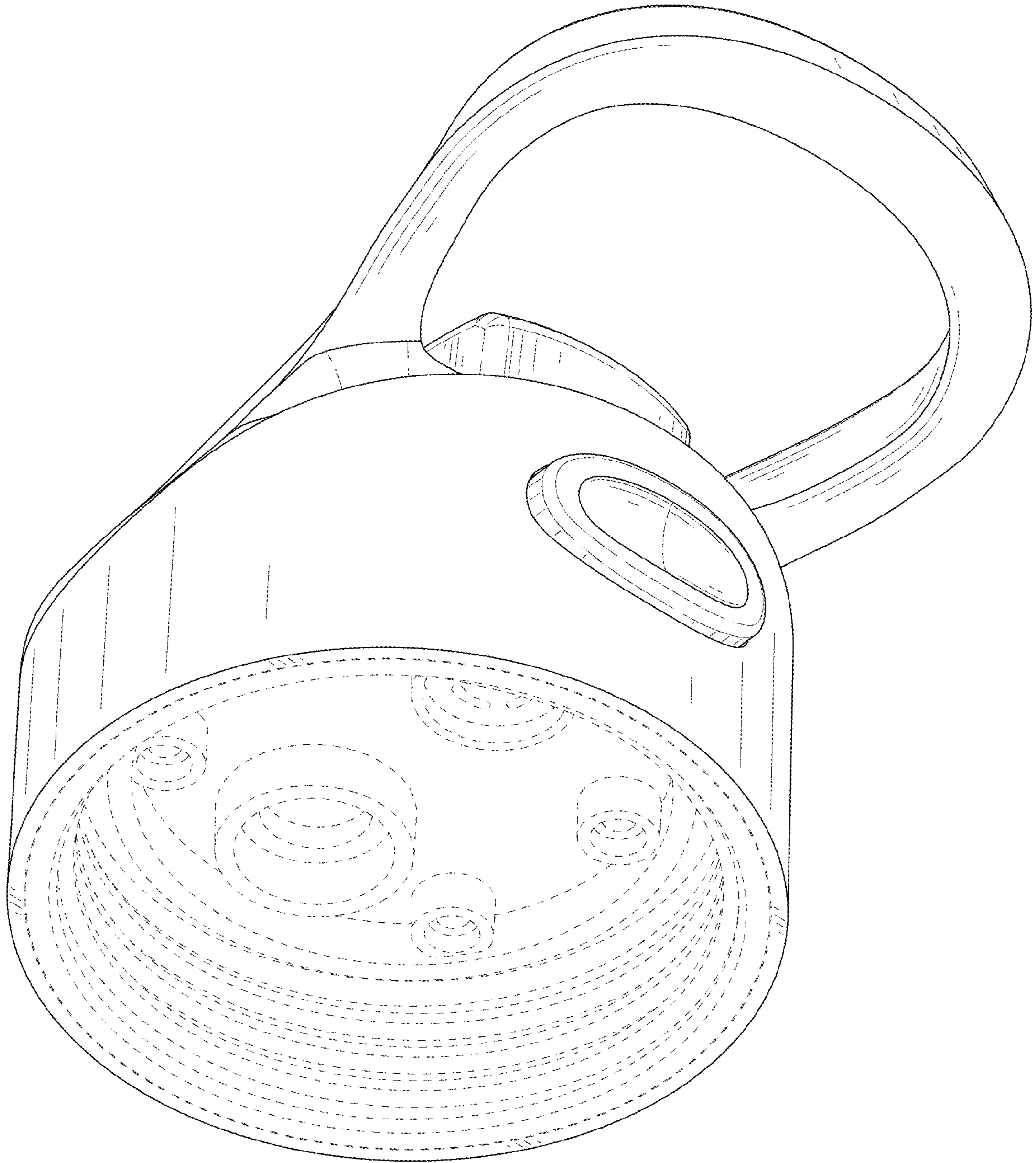


FIG. 2

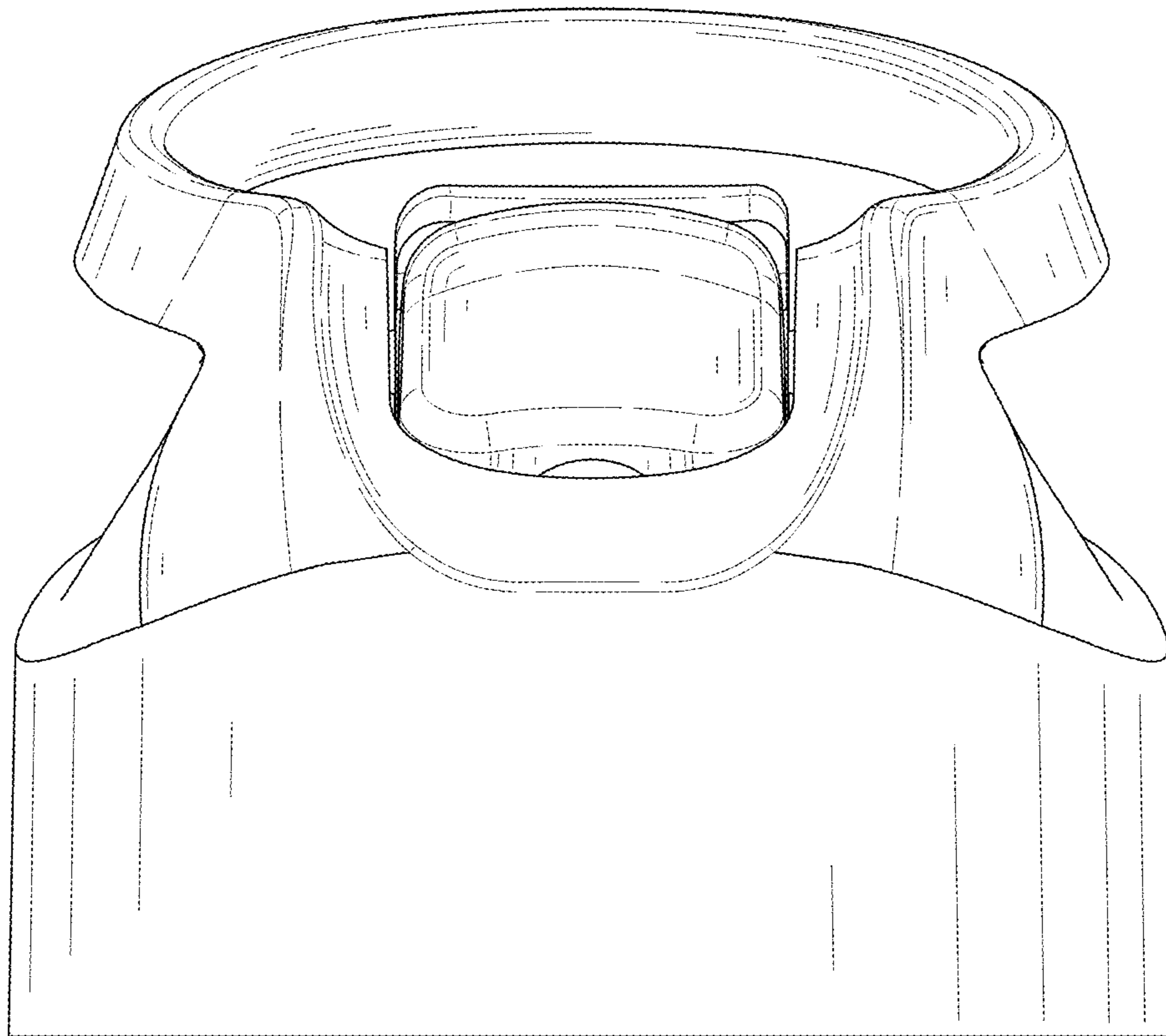


FIG. 3

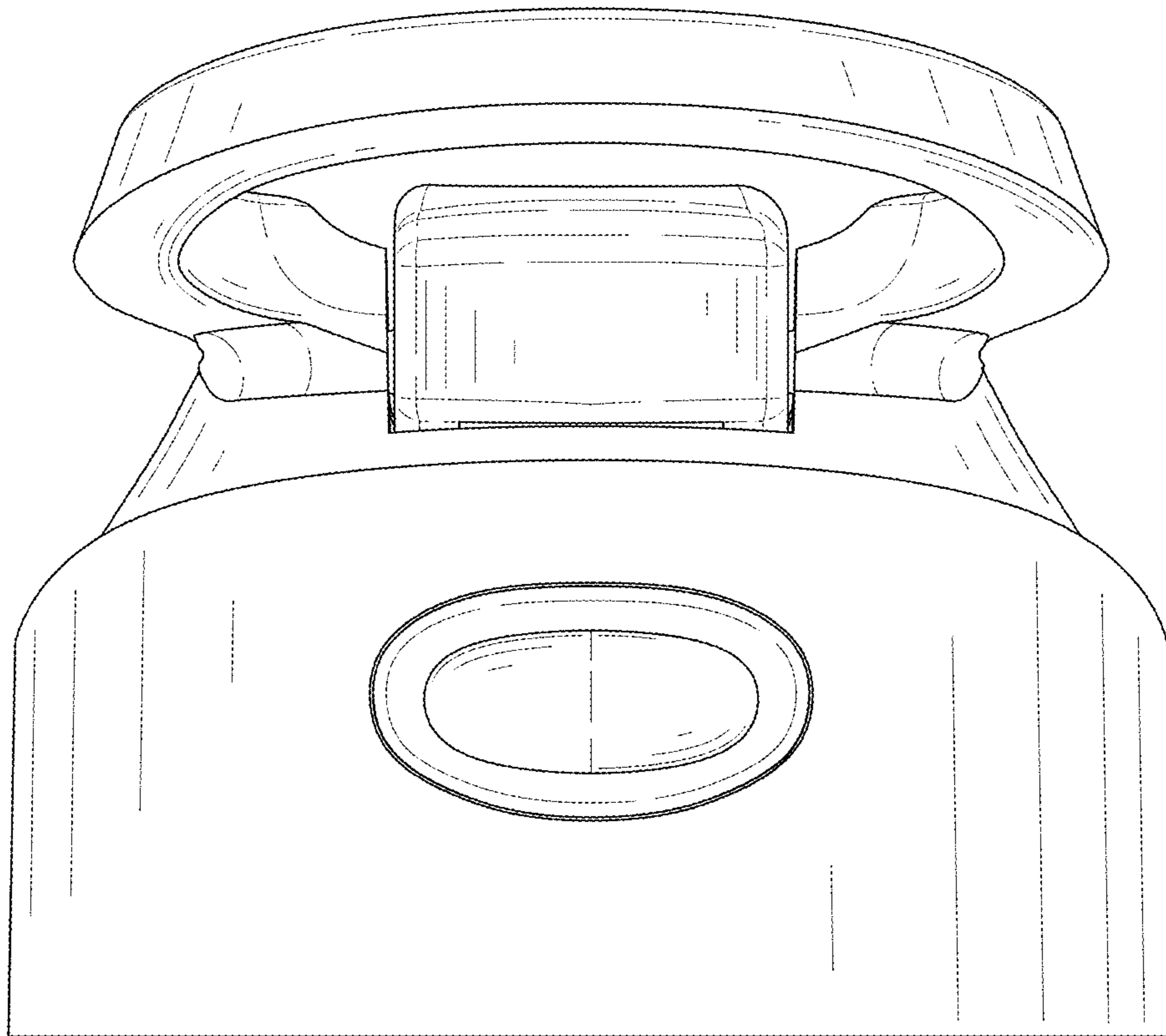


FIG. 4

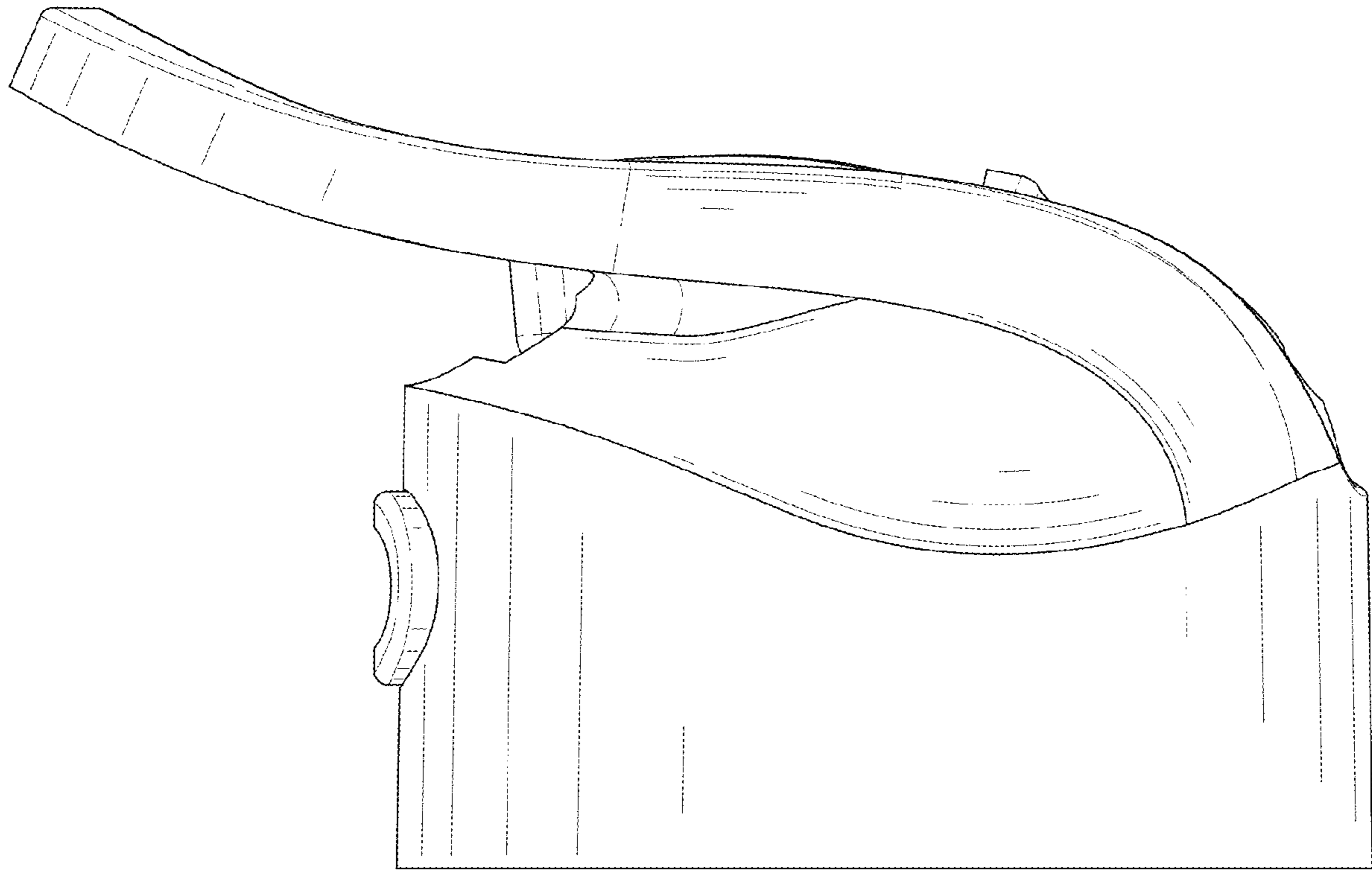


FIG. 5

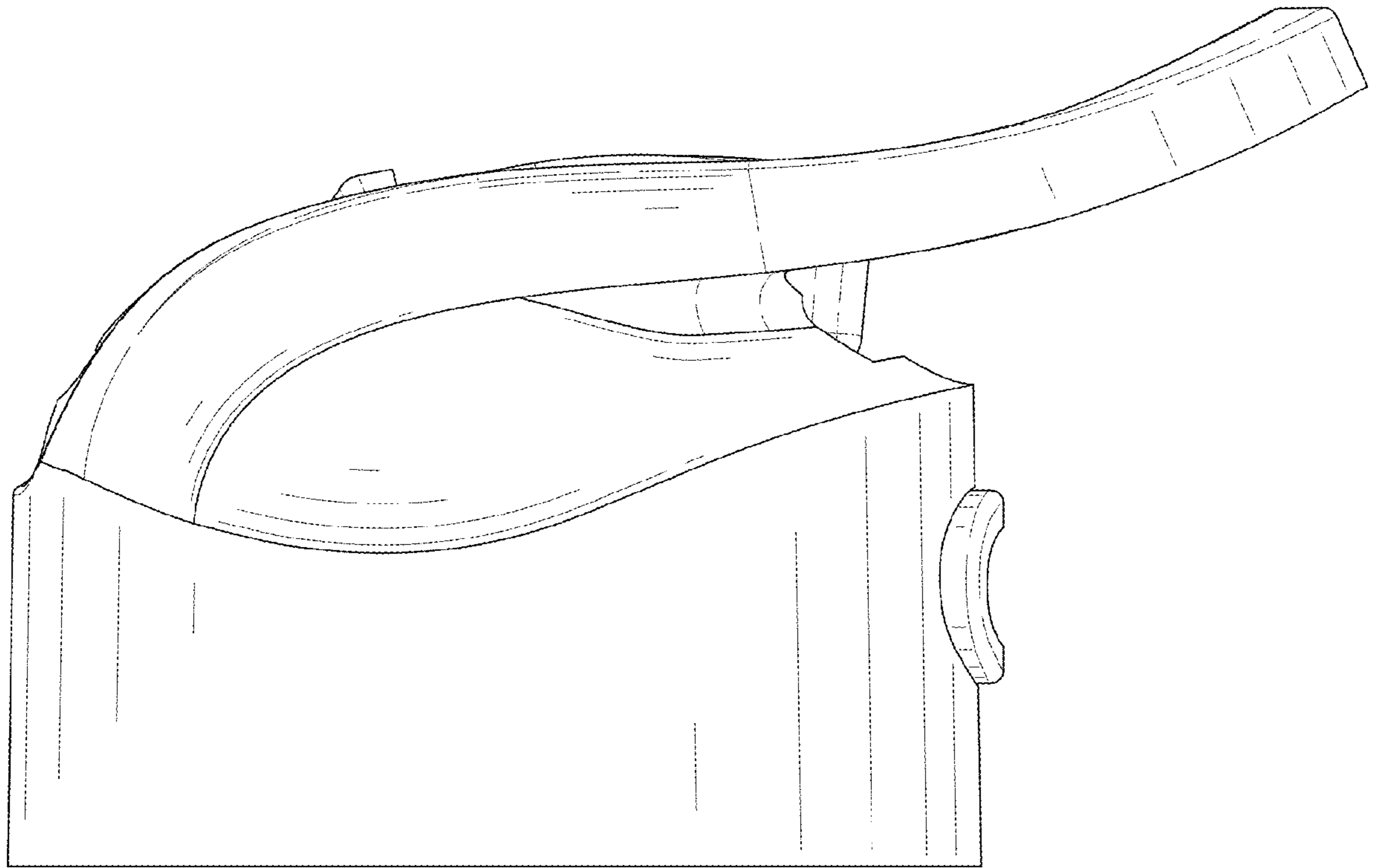


FIG. 6

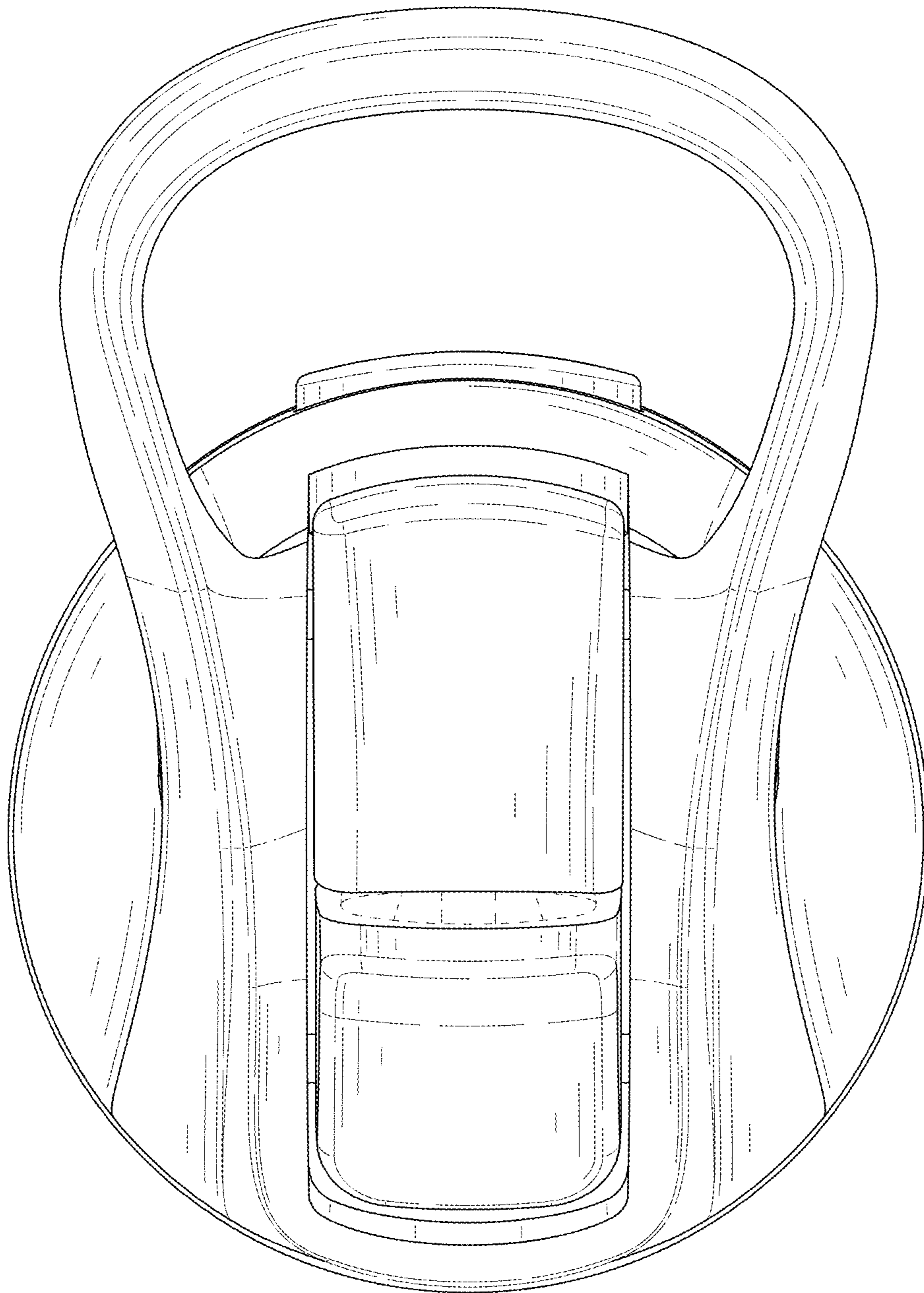


FIG. 7

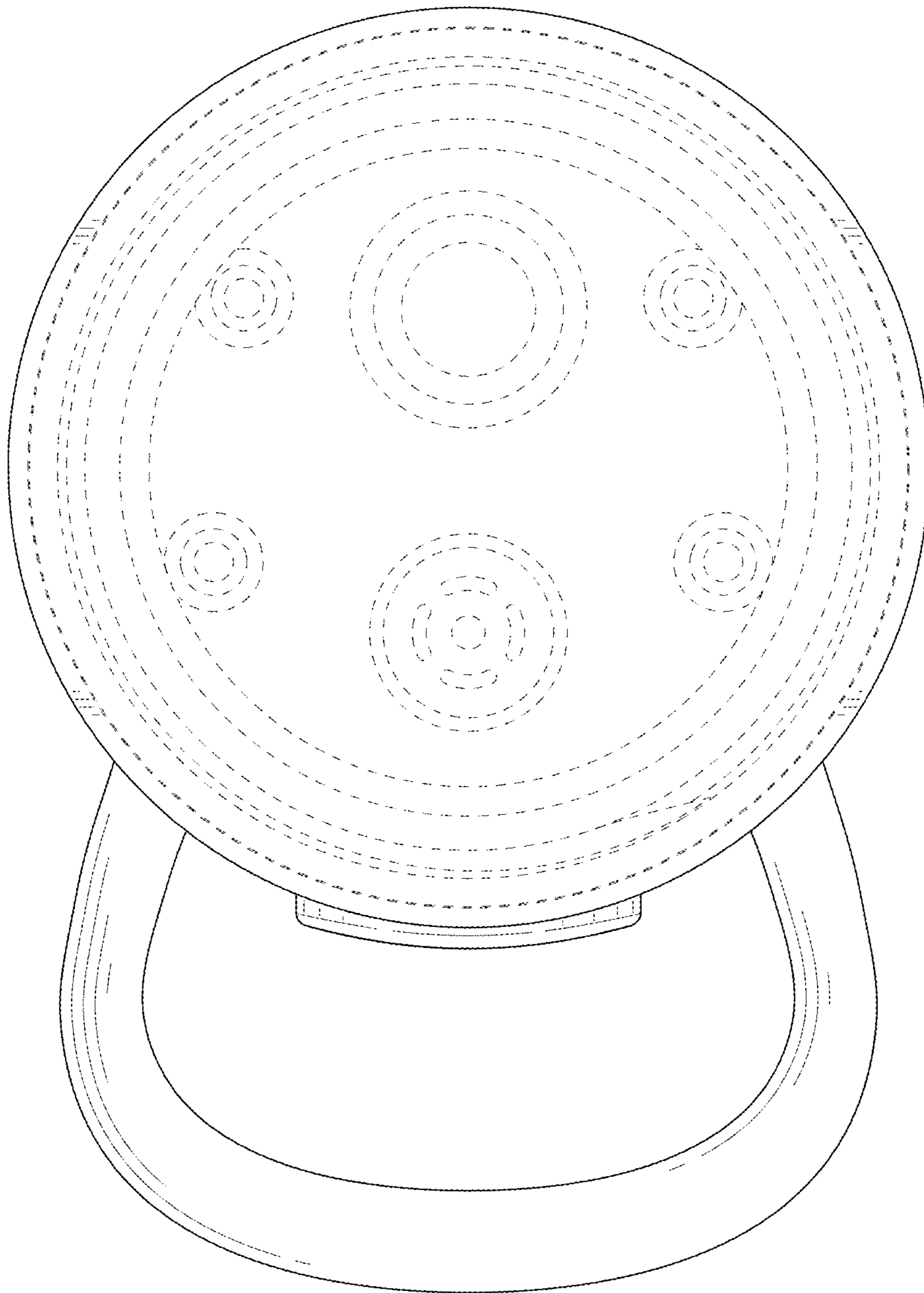


FIG. 8

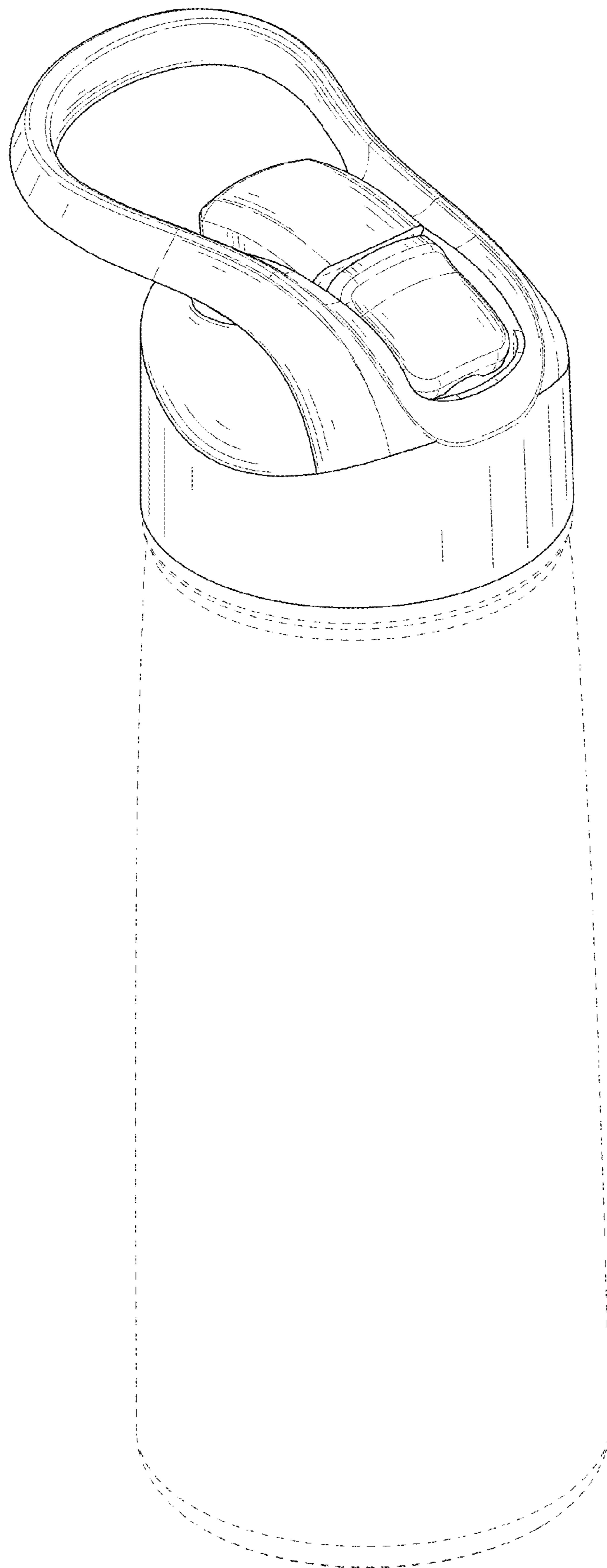


FIG. 9