



US00D968880S

(12) **United States Design Patent**
Stroud

(10) **Patent No.:** **US D968,880 S**
(45) **Date of Patent:** **** Nov. 8, 2022**

(54) **LID HANDLE**

(71) Applicant: **Under Armour, Inc.**, Baltimore, MD
(US)

(72) Inventor: **Brandon Stroud**, Fountain Valley, CA
(US)

(73) Assignee: **Under Armour, Inc.**, Baltimore, MD
(US)

(**) Term: **15 Years**

(21) Appl. No.: **29/774,347**

(22) Filed: **Mar. 16, 2021**

(51) **LOC (13) Cl.** **07-01**

(52) **U.S. Cl.**
USPC **D7/392.1**; D7/391

(58) **Field of Classification Search**
USPC D7/310, 319, 323, 354–363, 391, 392,
D7/392.1, 393–396, 396.2, 401.1, 510,
D7/511; D9/435, 440, 447, 449–453,
D9/454, 504, 523, 670
CPC .. A47G 19/027; A47G 19/12; A47G 19/2272;
A47J 27/00; A47J 27/002; A47J 27/08;
A47J 27/13; A47J 27/21; A47J 27/58;
A47J 36/025; A47J 36/027; A47J 36/06;
A47J 36/12; A47J 37/00; A47J 37/0704;
A47J 37/10; A47J 37/101; A47J 37/103;
A47J 37/12; A47J 37/1204; A47J 39/02;
A47J 45/061; A47J 45/071; A47J 45/08;
B65D 41/0407; B65D 17/401; B65D
43/02; B65D 43/16; B65D 51/242; H05B
6/12; H05B 6/804; H05B 6/6494; A61J
1/2093; A61J 11/00

See application file for complete search history.

(56) **References Cited**

U.S. PATENT DOCUMENTS

D729,569 S * 5/2015 Herbst D7/510
D768,491 S * 10/2016 Sorensen D9/449

D793,154 S * 8/2017 Sorensen D7/392.1
9,790,007 B2 * 10/2017 Sorensen B65D 43/02
D804,903 S * 12/2017 Mason D7/510
D810,502 S * 2/2018 Joseph et al.
D814,855 S * 4/2018 Hammer D7/392.1
D835,938 S 12/2018 Zou et al.
D863,879 S 10/2019 Merrigan et al.
D870,508 S 12/2019 Palkon
D874,214 S 2/2020 Breit et al.
D875,473 S 2/2020 Wahlkvist
D878,853 S * 3/2020 Omdahl, II D9/449
D878,866 S 3/2020 Cheng
D936,413 S * 11/2021 Omdahl, II D9/449
2010/0181329 A1 * 7/2010 Davies B65D 51/242
220/707
2015/0201773 A1 * 7/2015 Sorensen B65D 43/16
220/254.1

* cited by examiner

Primary Examiner — Ricky Pham

(74) *Attorney, Agent, or Firm* — Edell, Shapiro & Finnan,
LLC

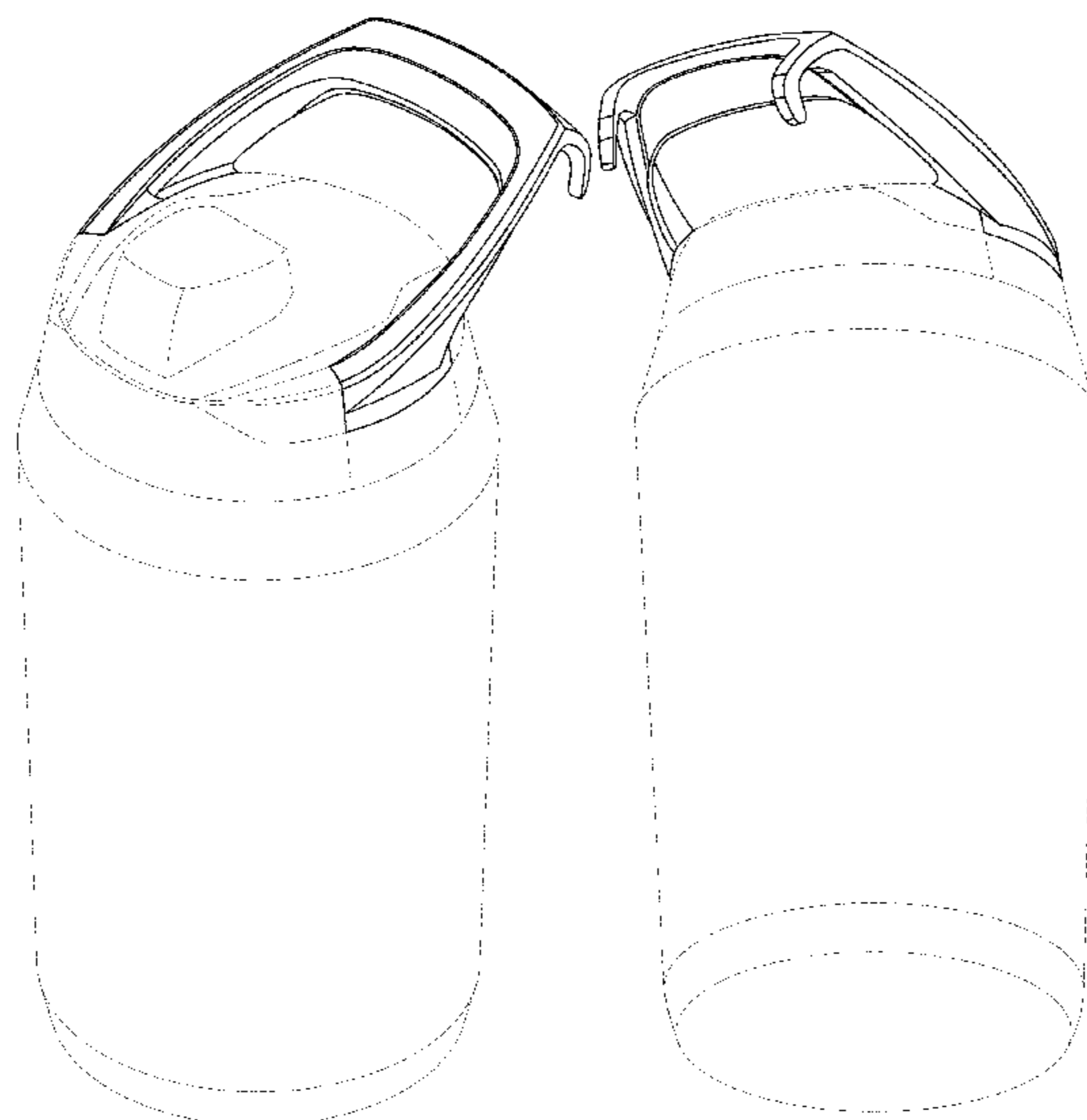
(57) **CLAIM**

The ornamental design for a lid handle, as shown and
described.

DESCRIPTION

FIG. 1 is a front view in perspective of a lid handle, showing
my new design;
FIG. 2 is a rear view in perspective thereof;
FIG. 3 is a front view thereof;
FIG. 4 is a rear view thereof;
FIG. 5 is a first side view thereof;
FIG. 6 is a second side view thereof;
FIG. 7 is a top view thereof; and,
FIG. 8 is a bottom view thereof.
The broken lines in each figure depict environmental subject
matter that forms no part of the claimed design.

1 Claim, 8 Drawing Sheets



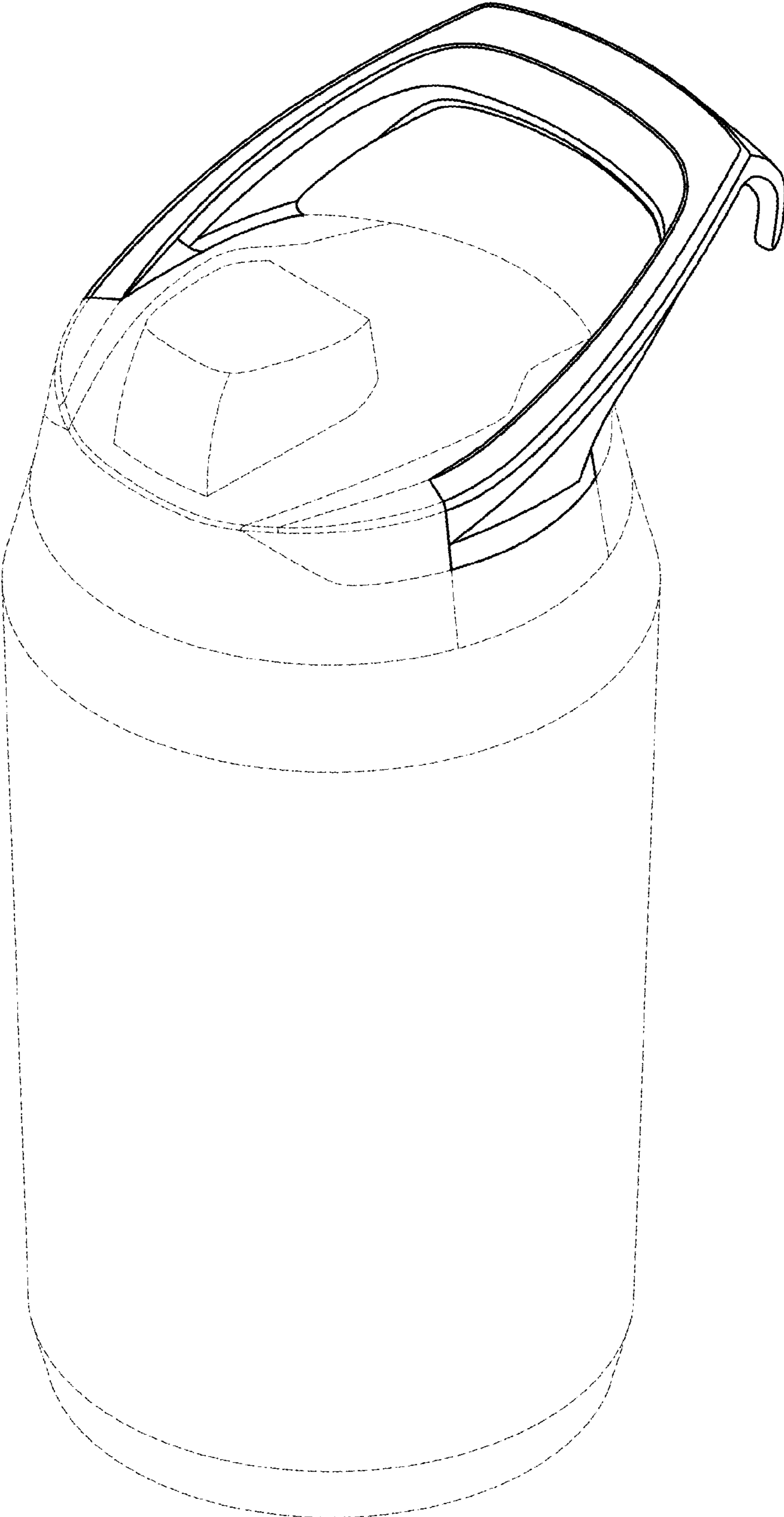


FIG. 1

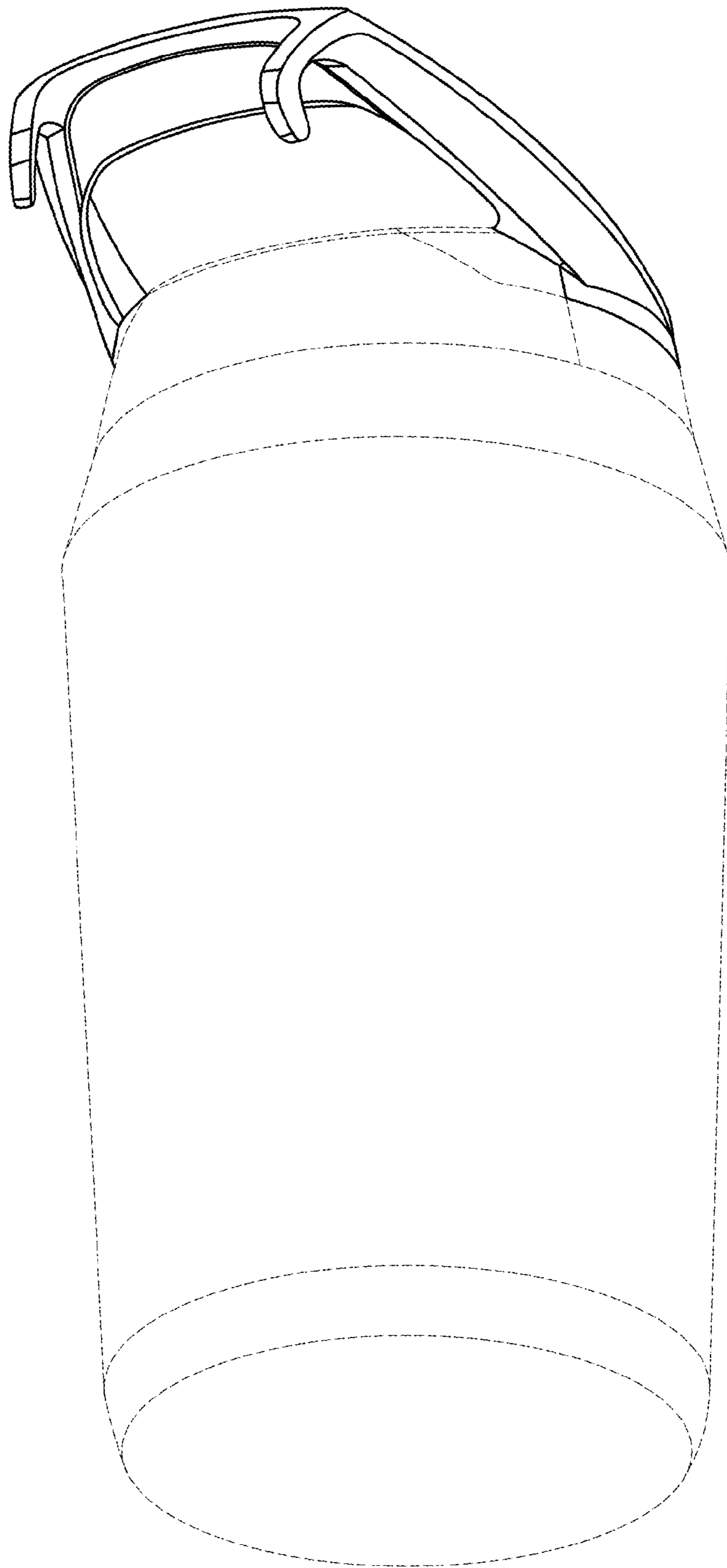


FIG.2

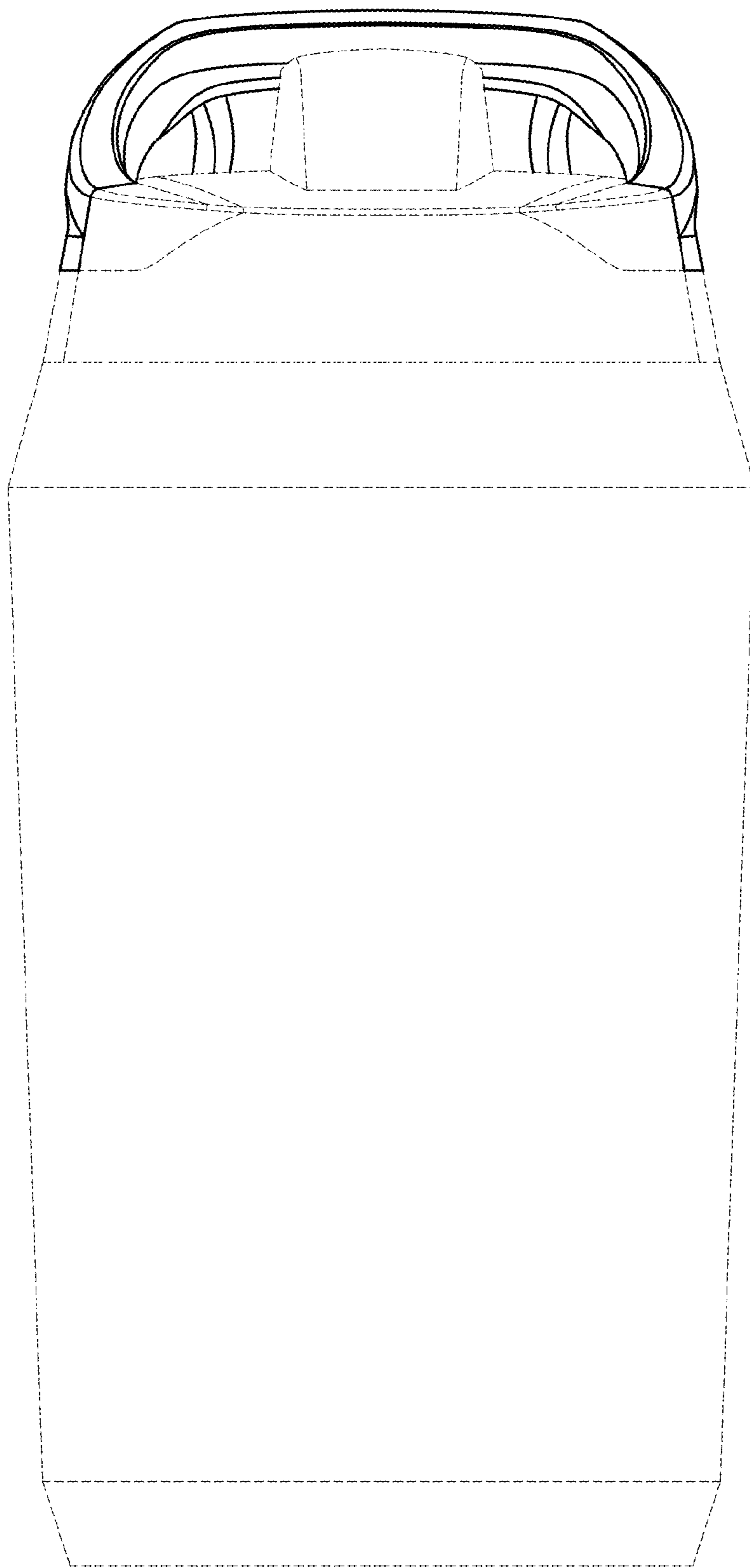


FIG.3

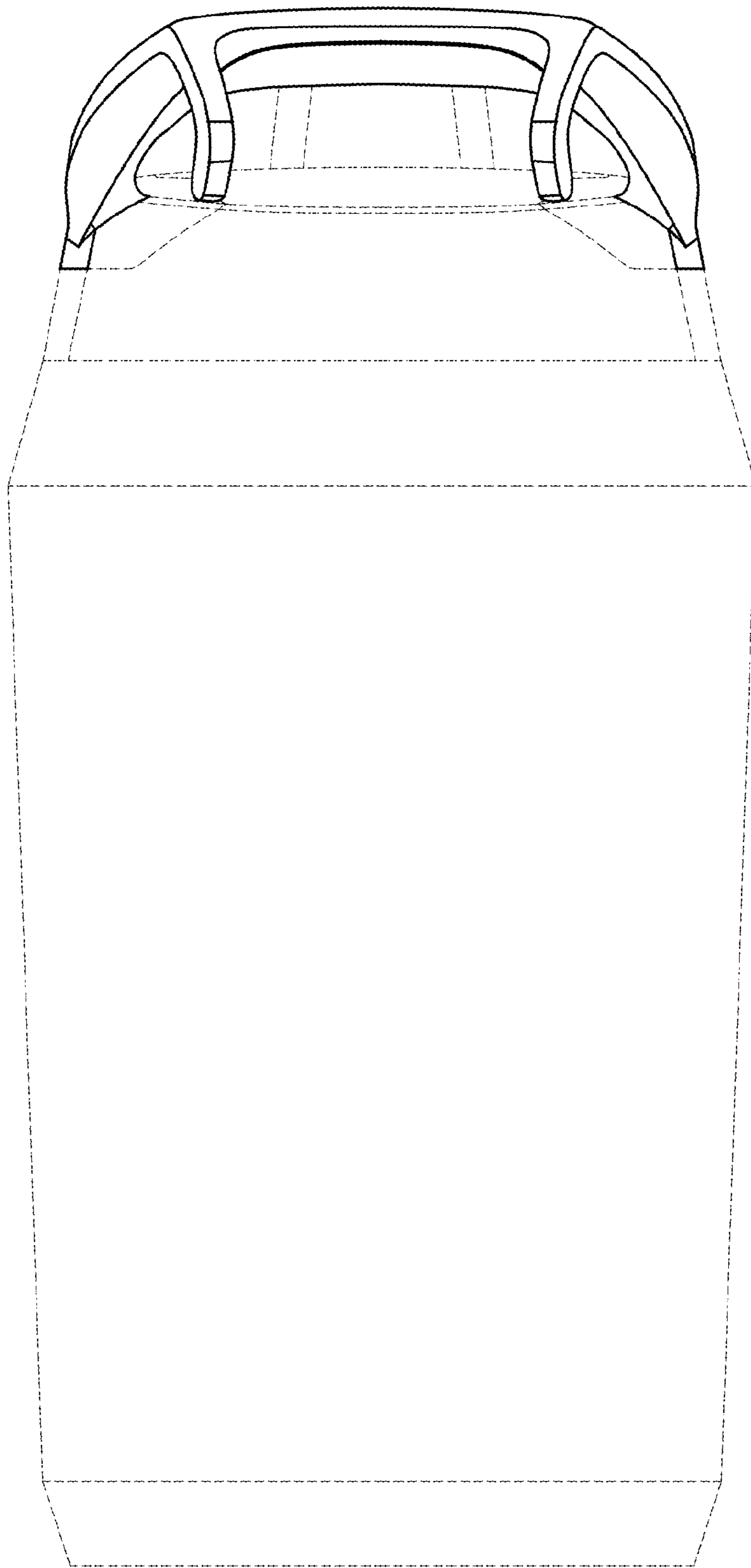


FIG.4

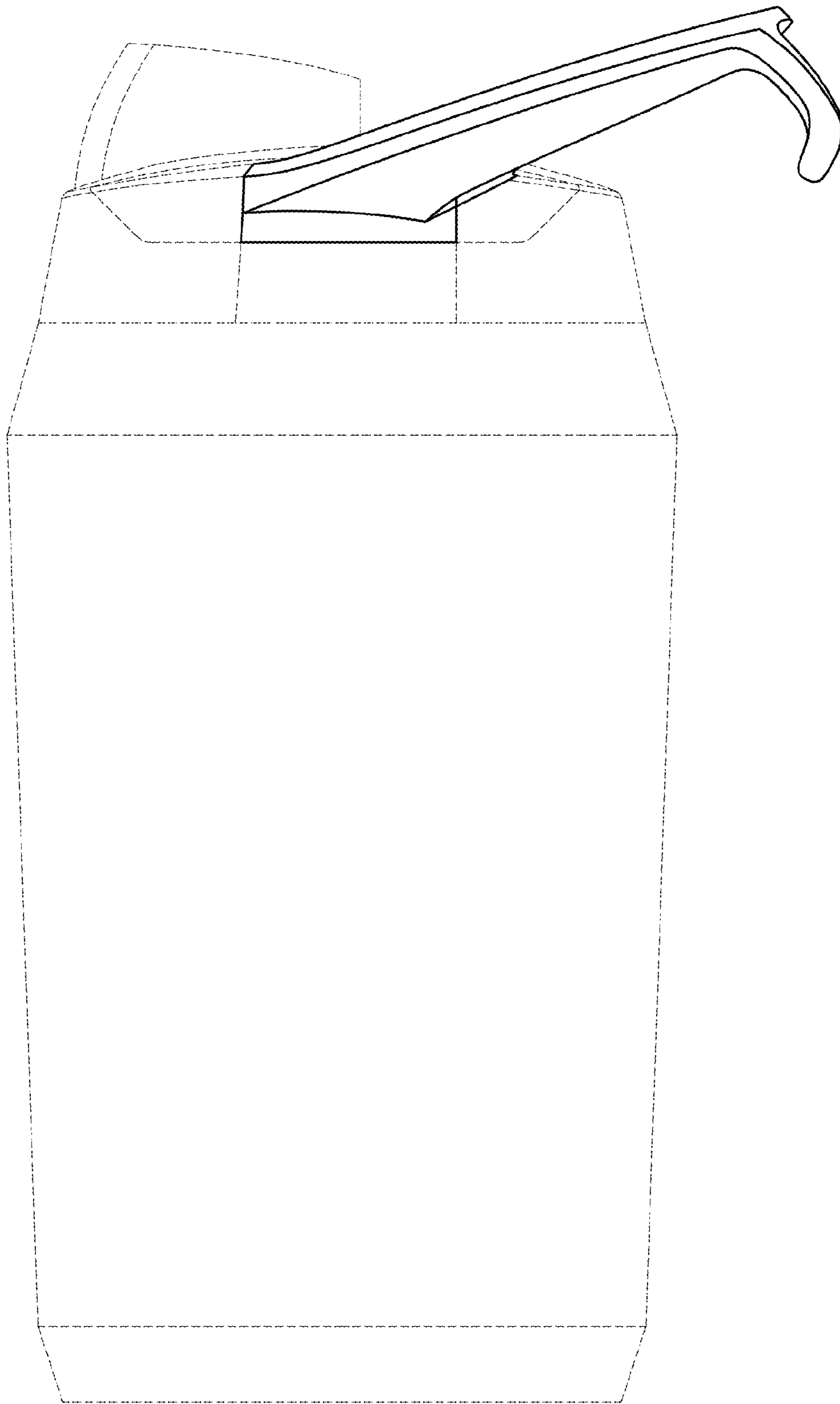


FIG.5

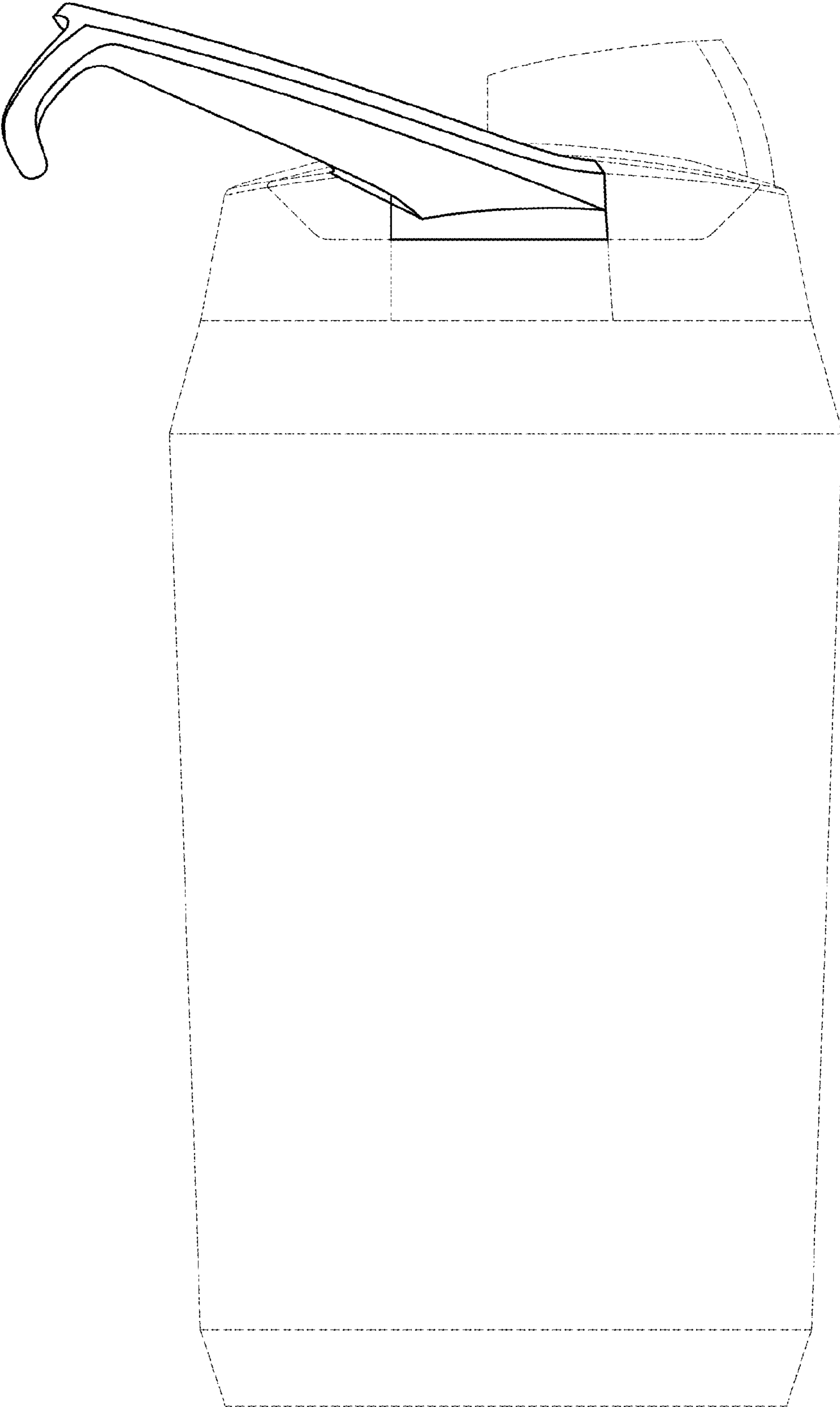


FIG.6

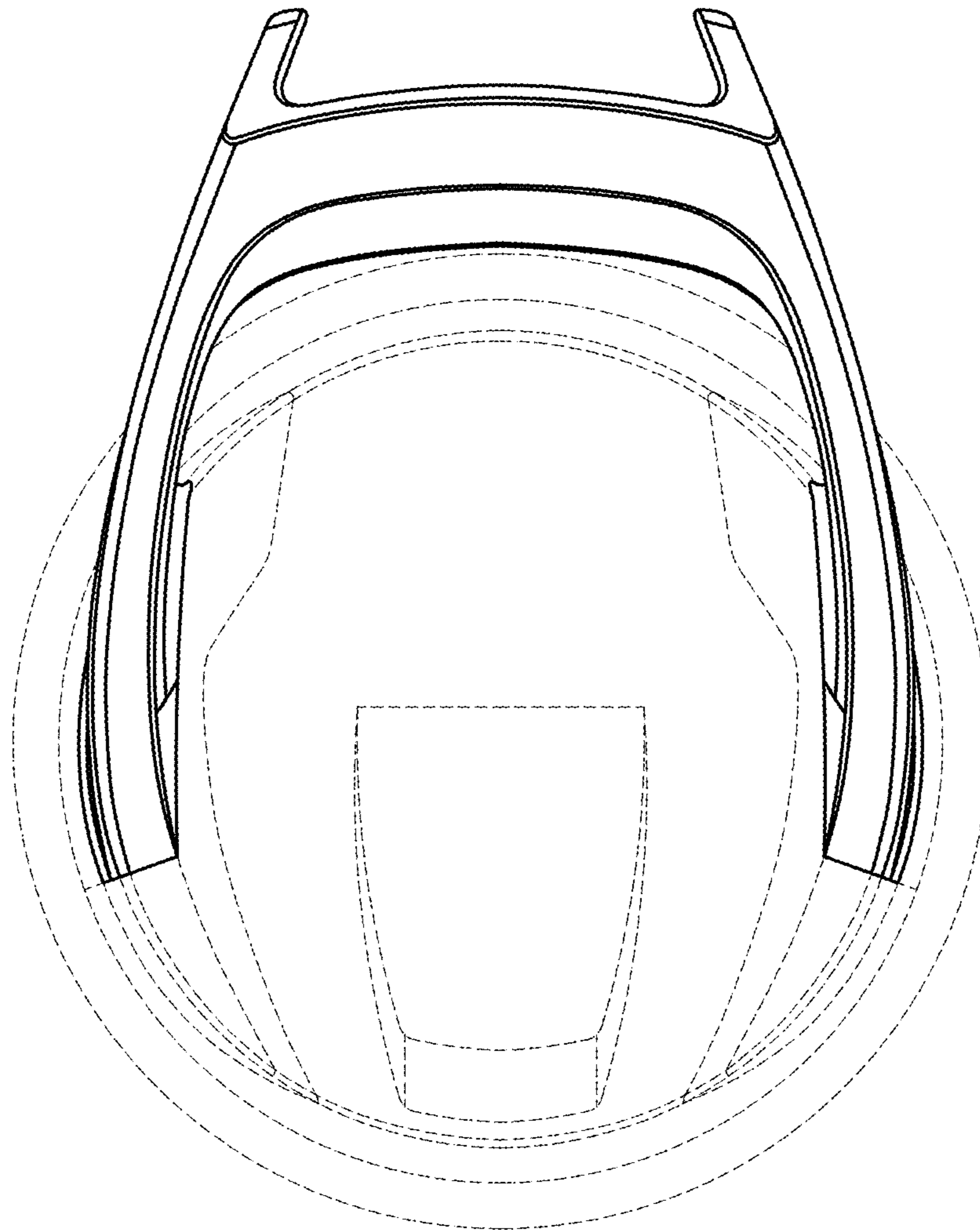


FIG.7

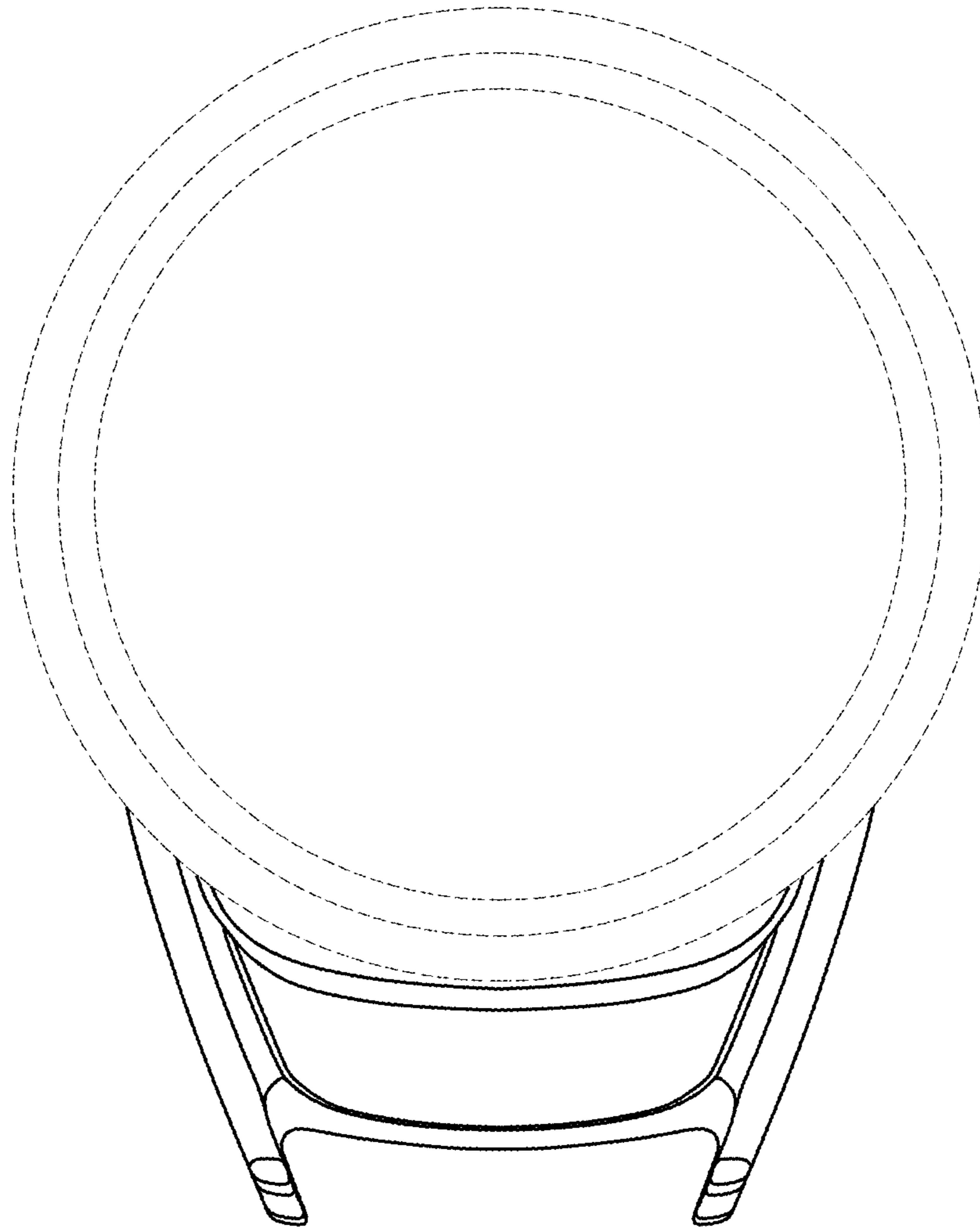


FIG. 8