

US00D968879S

(12) **United States Design Patent** (10) **Patent No.:** **US D968,879 S**
Saadeh (45) **Date of Patent:** **** Nov. 8, 2022**

(54) **CONTAINER LID**

(71) Applicant: **GOURMET HOME PRODUCTS, LLC**, New York, NY (US)
(72) Inventor: **Jack Saadeh**, New York, NY (US)
(73) Assignee: **GOURMET HOME PRODUCTS, LLC**, New York, NY (US)

(**) Term: **15 Years**

(21) Appl. No.: **29/727,703**

(22) Filed: **Mar. 12, 2020**

(51) **LOC (13) Cl.** **07-01**

(52) **U.S. Cl.**

USPC **D7/392.1; D7/391**

(58) **Field of Classification Search**

USPC D7/310, 319, 323, 354–363, 391, 392, D7/392.1, 393–396, 396.2, 401.1, 510, D7/511; D9/435, 440, 447, 453, 454, D9/504, 523

CPC A47G 19/027; A47G 19/12; A47J 27/00; A47J 27/002; A47J 27/08; A47J 27/13; A47J 27/21; A47J 27/58; A47J 36/025; A47J 36/027; A47J 36/06; A47J 36/12; A47J 37/00; A47J 37/0704; A47J 37/10; A47J 37/101; A47J 37/103; A47J 37/12; A47J 37/1204; A47J 39/02; A47J 45/061; A47J 45/071; A47J 45/08; B65D 41/0407; B65D 51/28; H05B 6/12; H05B 6/804; H05B 6/6494; A61J 1/2093; A61J 11/00

See application file for complete search history.

(56) **References Cited**

U.S. PATENT DOCUMENTS

D824,721 S * 8/2018 Hu D7/392.1
D828,722 S * 9/2018 Davis D7/532
D843,778 S * 3/2019 Yao D7/392.1
D862,977 S * 10/2019 Bohman D7/392.1
D889,199 S * 7/2020 Shepard D7/396.2

(Continued)

OTHER PUBLICATIONS

Auto Flip Straw Lid Replacement for Hydro Flask. Date First Available on Amazon.com Apr. 9, 2019. <https://www.amazon.com/dp/B07GK1JNBW/ref> (Year: 2019).*

Primary Examiner — Ricky Pham

(74) *Attorney, Agent, or Firm* — Dorsey & Whitney LLP

(57) **CLAIM**

I claim the ornamental design for a container lid, substantially as shown and described.

DESCRIPTION

FIG. 1 is an isometric view of a container lid in a first configuration.

FIG. 2 is a front elevation view of the container lid of FIG. 1.

FIG. 3 is a rear elevation view of the container lid of FIG. 1.

FIG. 4 is a left side elevation view of the container lid of FIG. 1.

FIG. 5 is a right side elevation view of the container lid of FIG. 1.

FIG. 6 is a top plan view of the container lid of FIG. 1.

FIG. 7 is a bottom plan view of the container lid of FIG. 1.

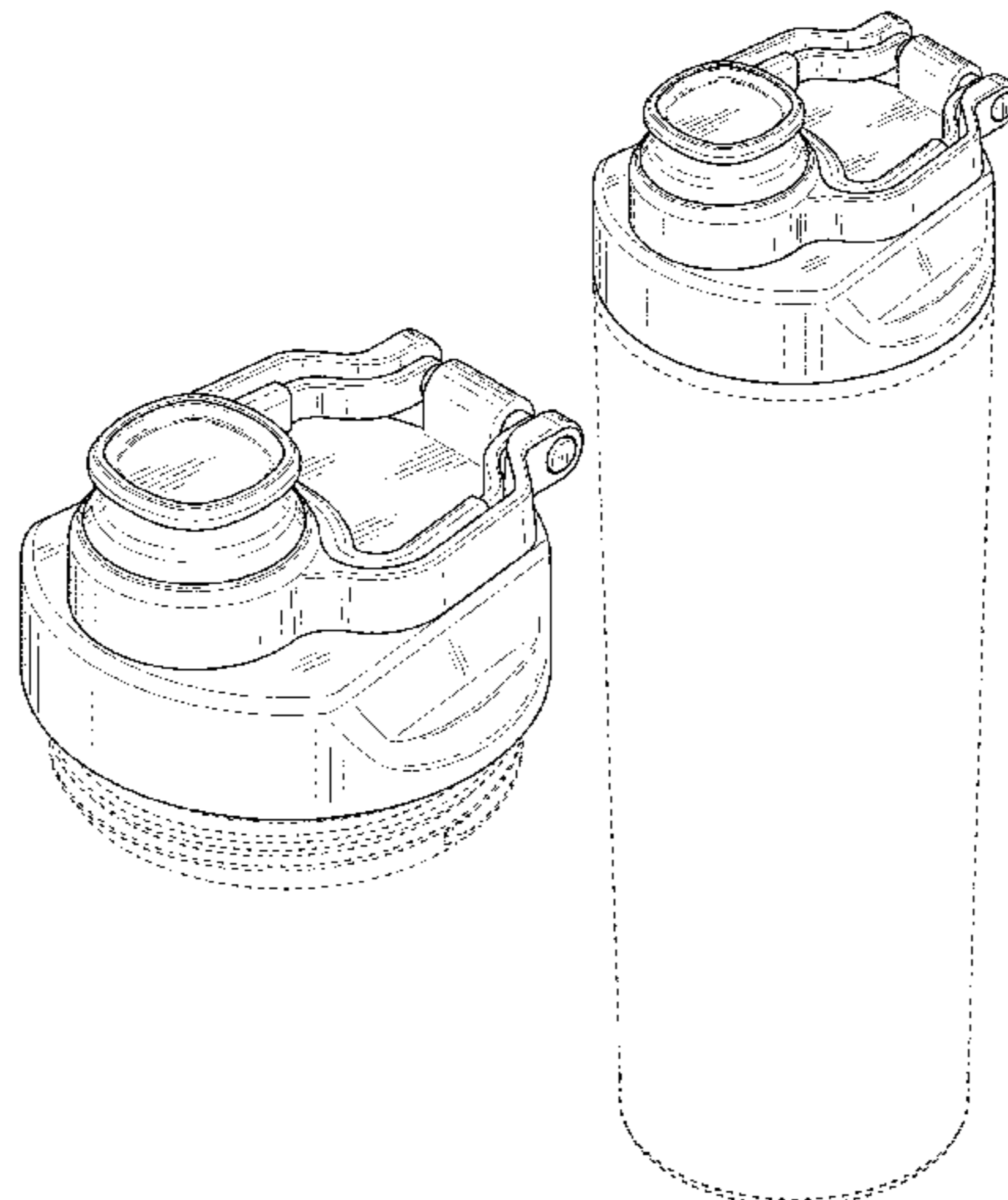
FIG. 8 is an isometric view of the container lid of FIG. 1 in an exemplary environment; and,

FIG. 9 is an isometric view of the container lid of FIG. 1 in a second configuration.

Any combination of the illustrated features, including claimed features and non-claimed features, may be claimed in this application or a continuing application claiming priority to this application by converting any portion of the broken lines to solid lines, any portion of the solid lines to broken lines, or both.

The broken lines in the drawings illustrate portions of the container lid that form no part of the claimed design.

1 Claim, 6 Drawing Sheets



(56)

References Cited

U.S. PATENT DOCUMENTS

D894,669	S	*	9/2020	Lane	D7/392.1
D895,352	S	*	9/2020	Yao	D7/392.1
D920,041	S	*	5/2021	Chen	D7/396.2
D920,739	S	*	6/2021	Omdahl, II	D7/392.1
D946,345	S	*	3/2022	Yao	D7/392.1
2014/0360908	A1	*	12/2014	Sorensen	B65D 51/28 206/501

* cited by examiner

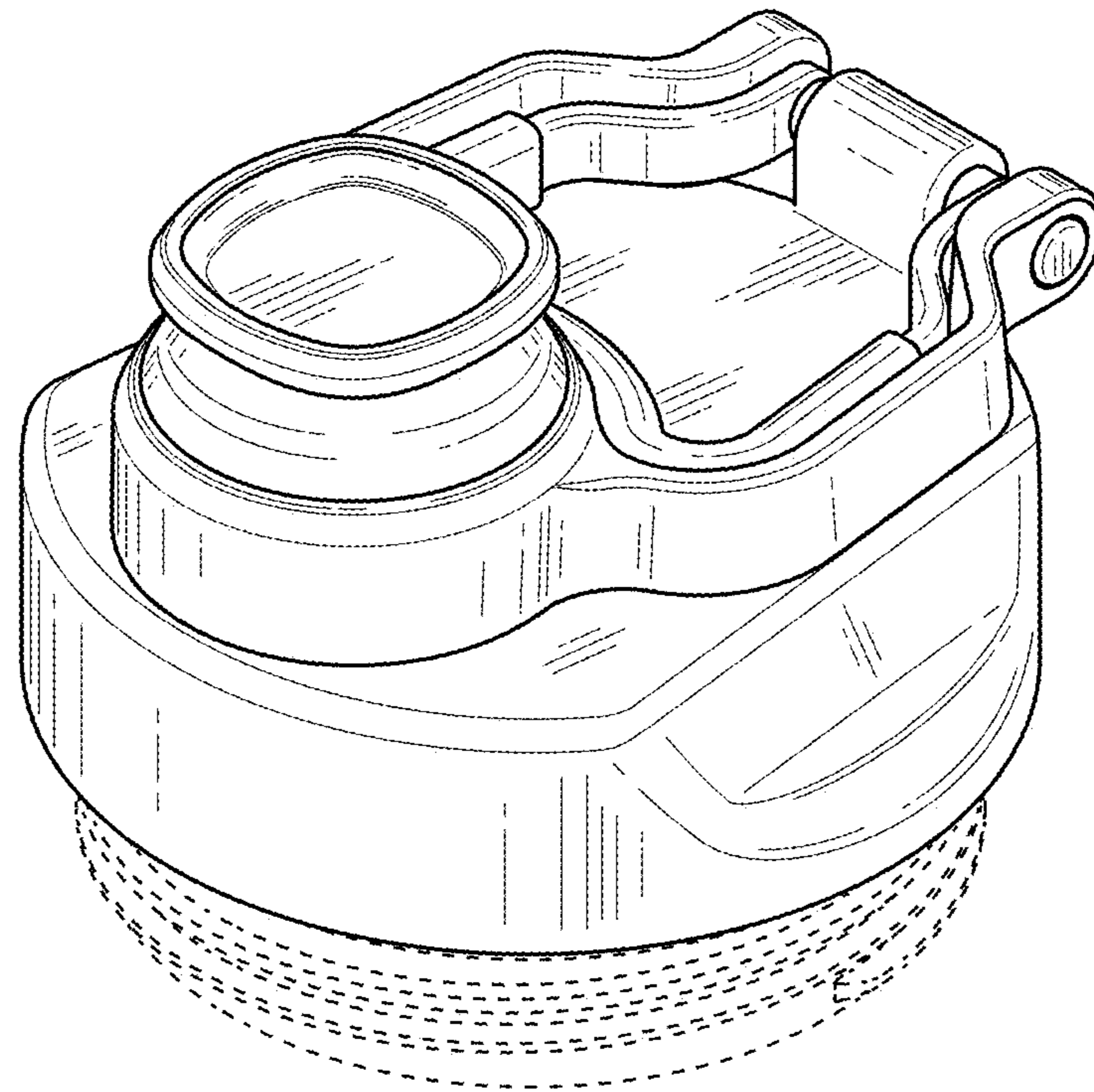


FIG. 1

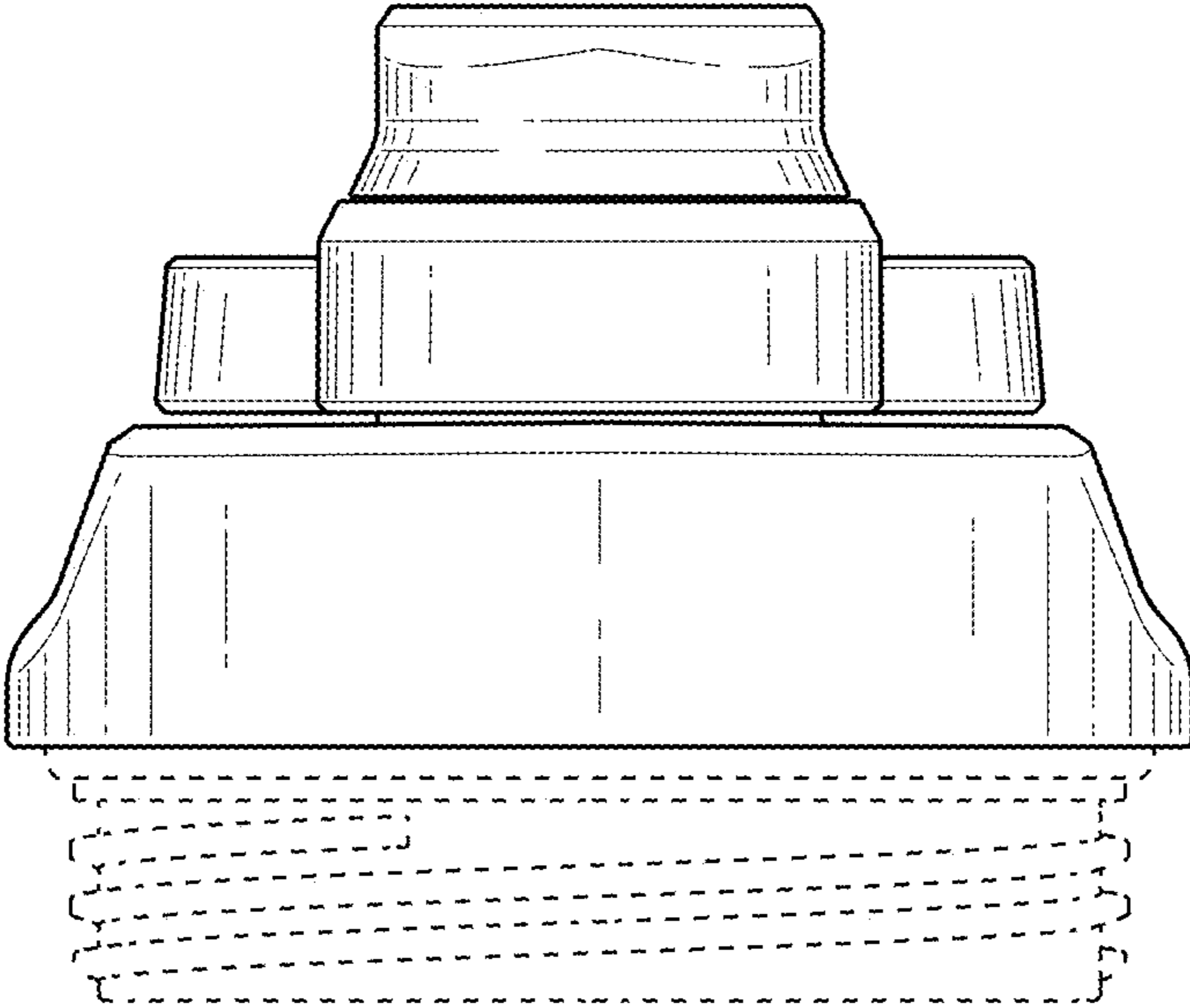


FIG. 2

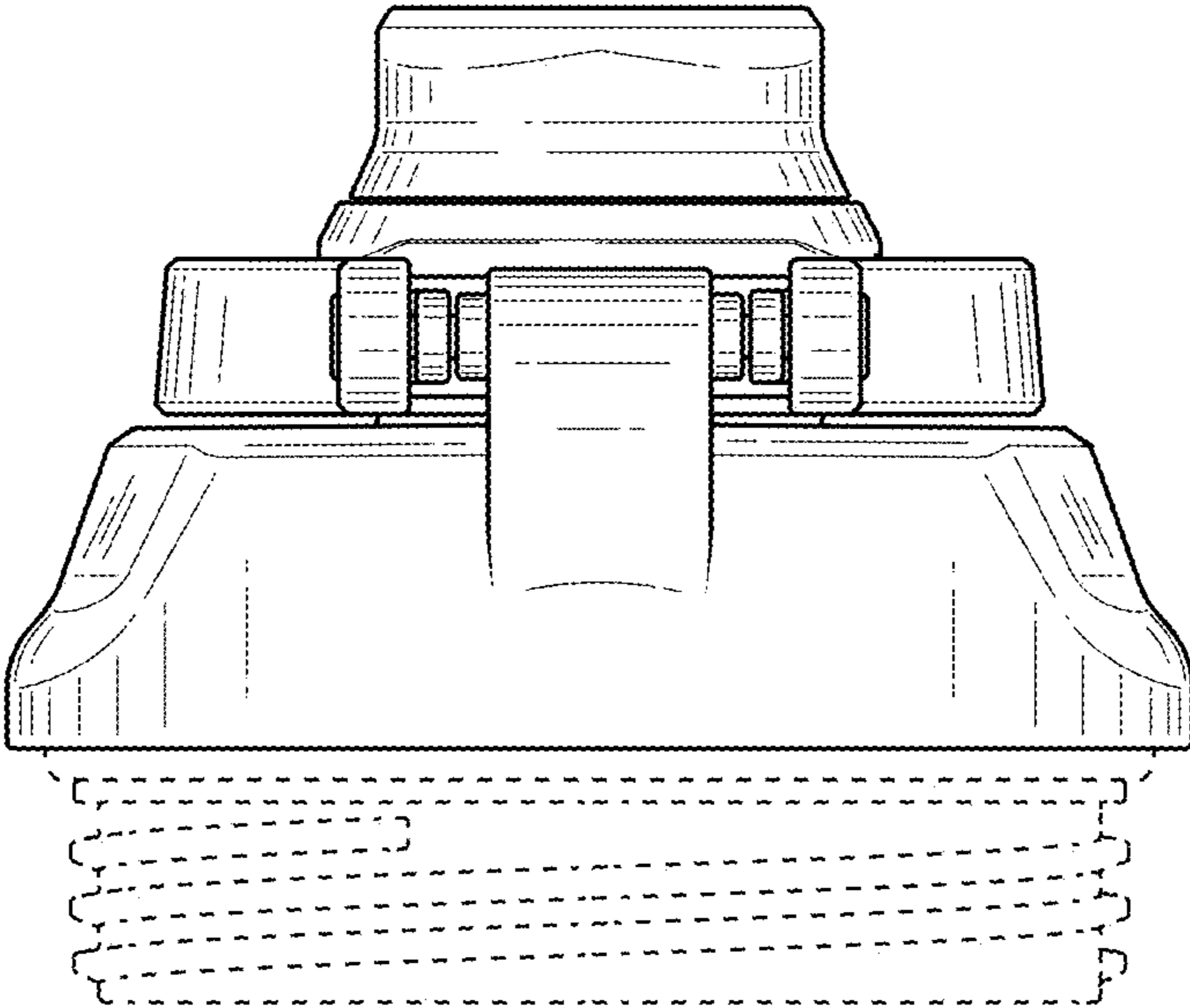


FIG. 3

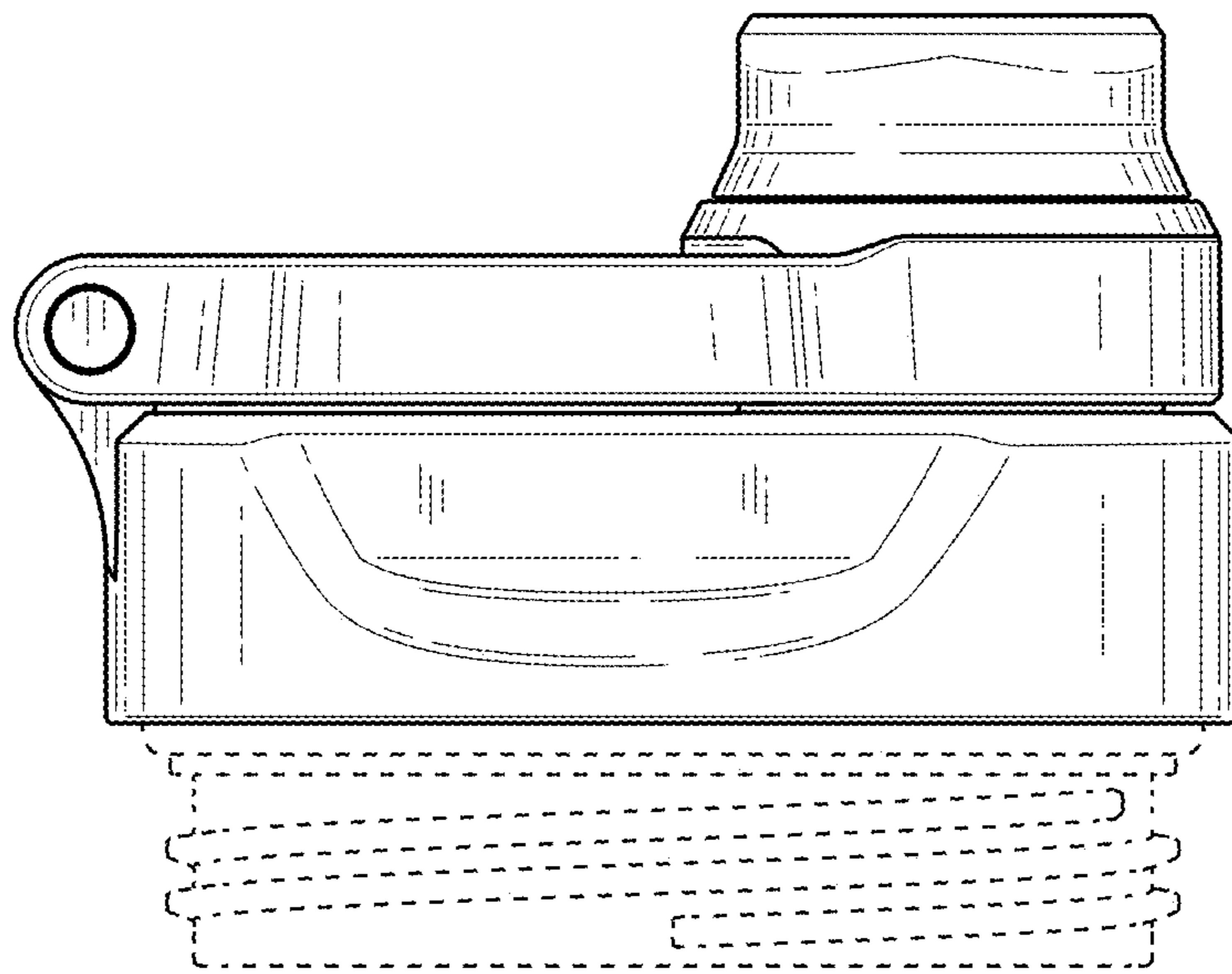


FIG. 4

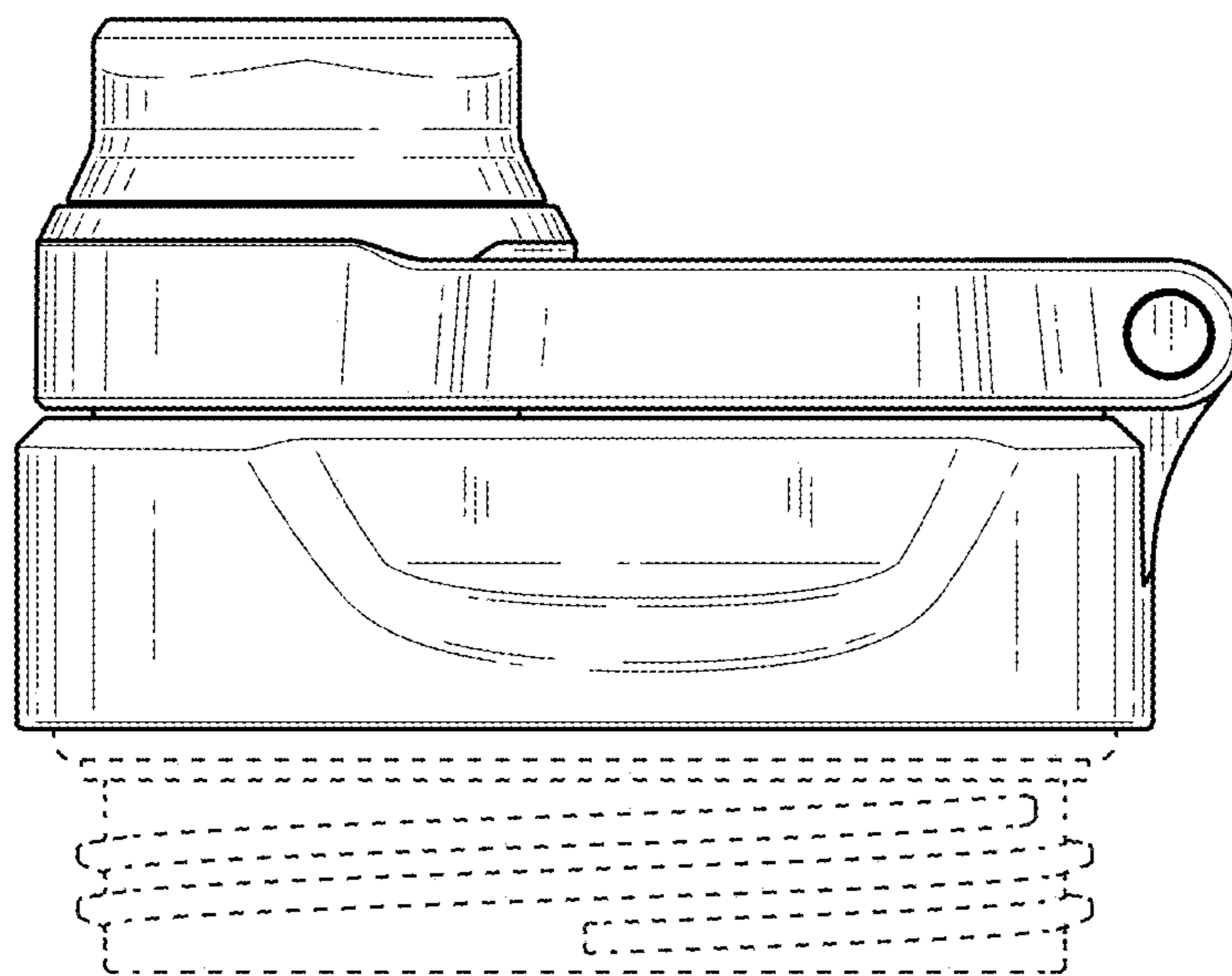


FIG. 5

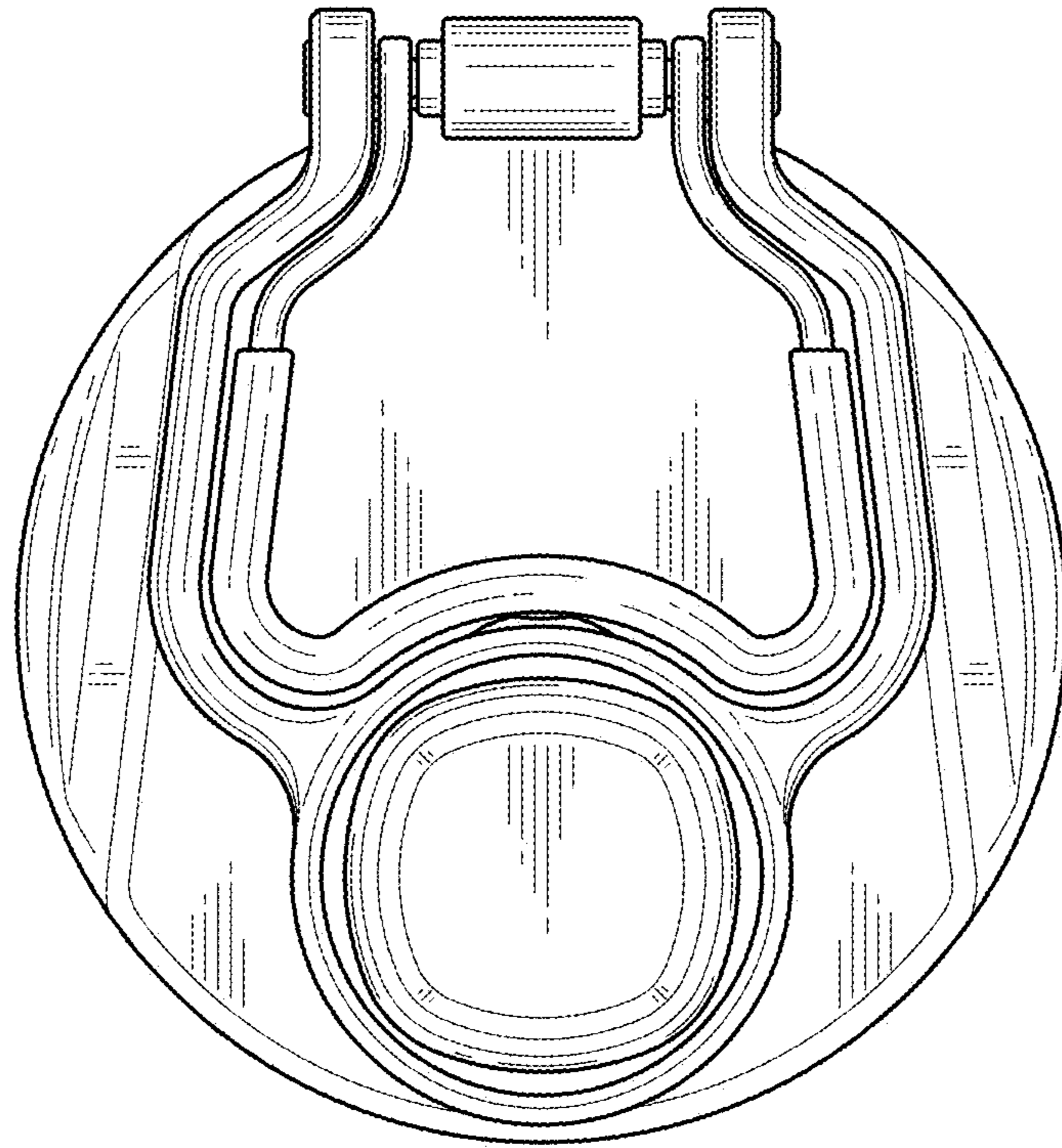


FIG. 6

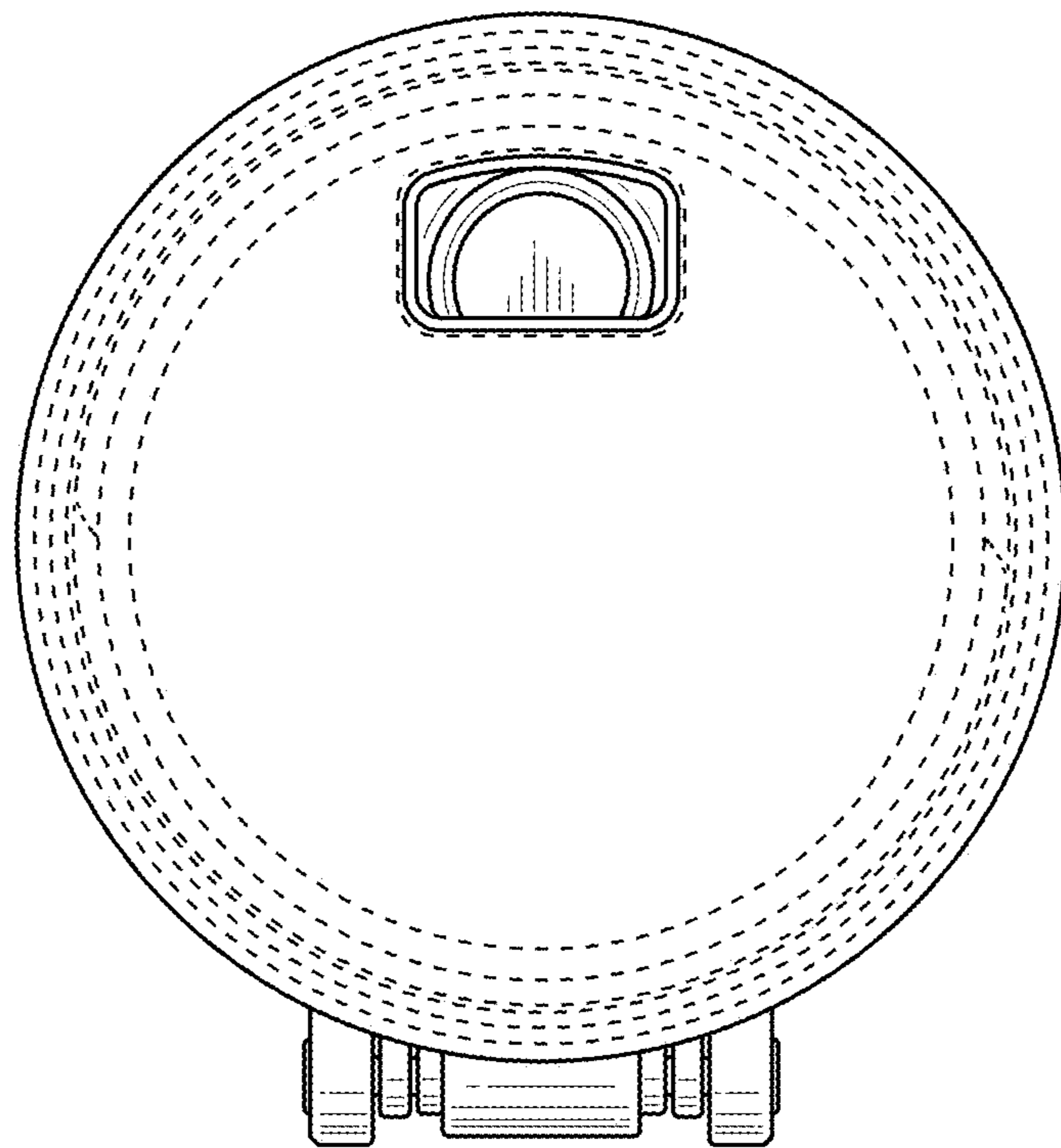


FIG. 7

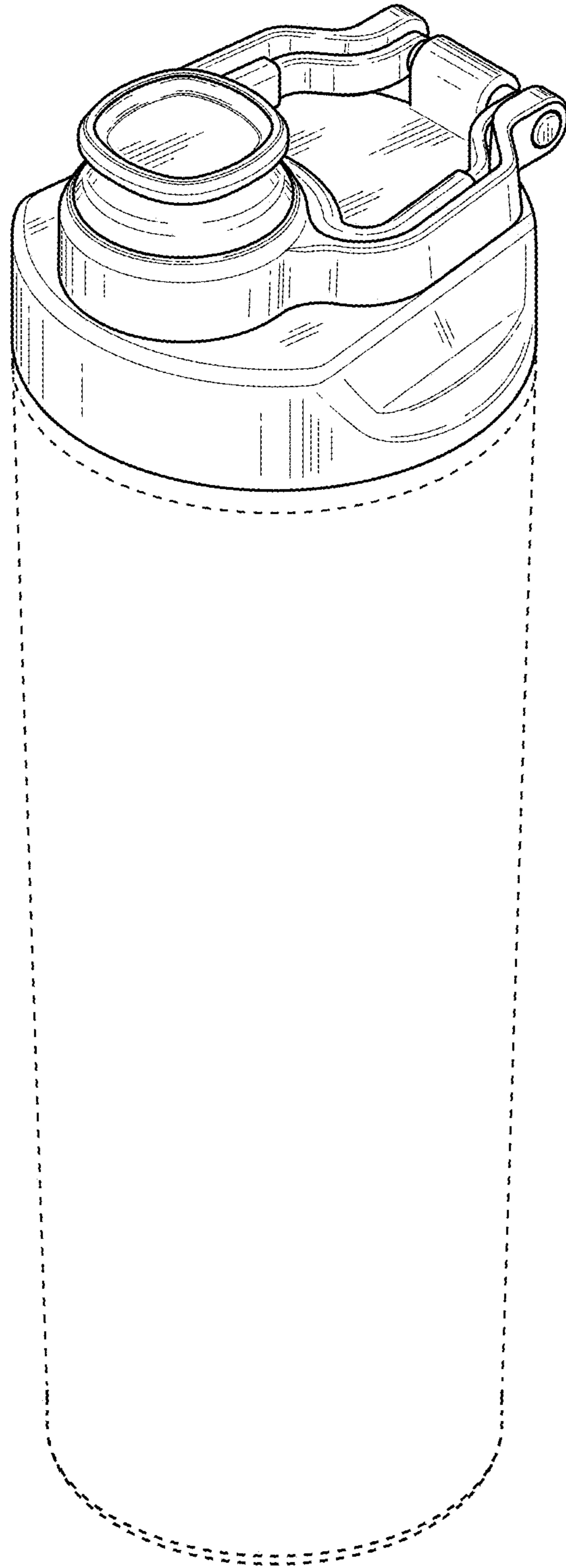


FIG. 8

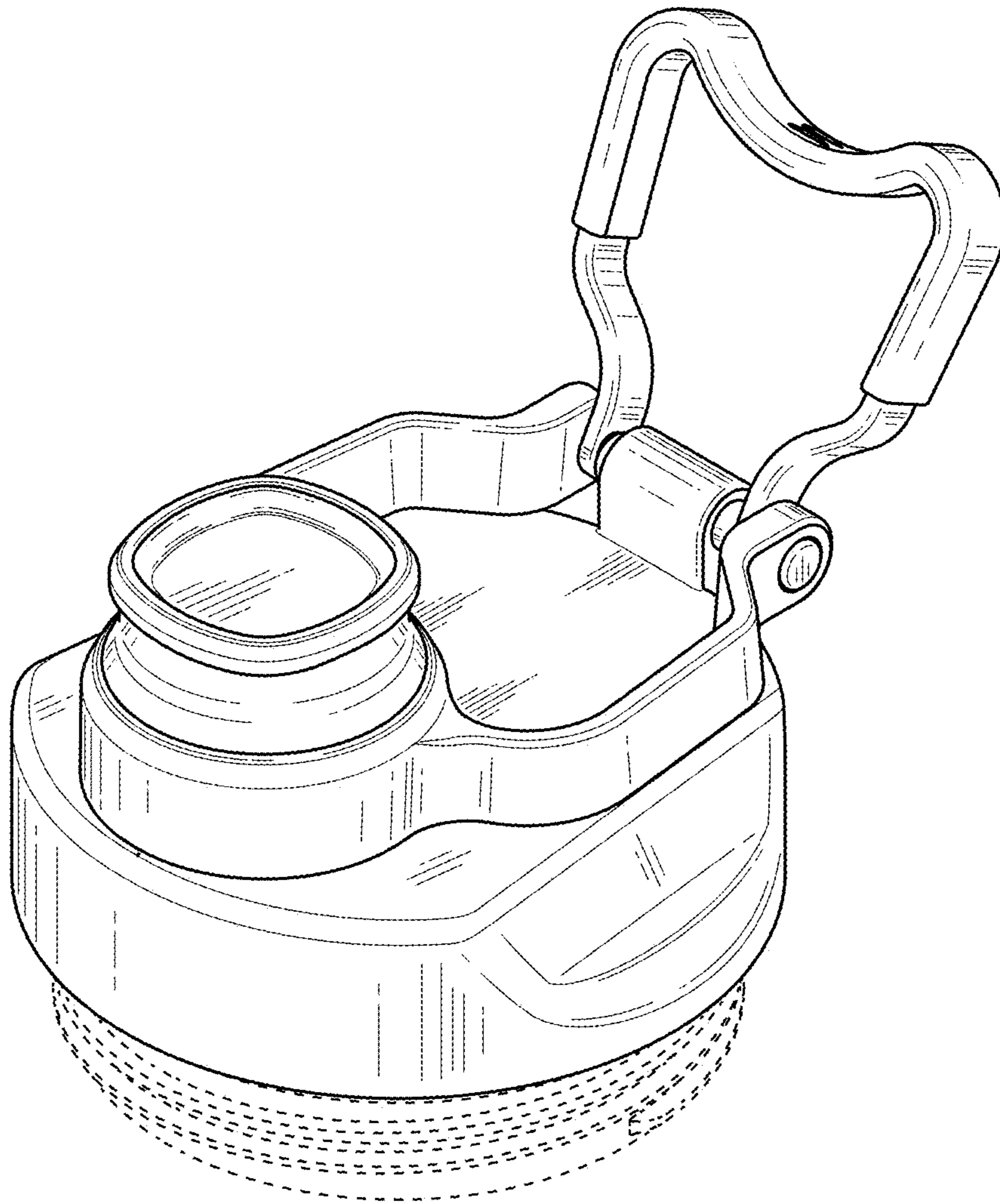


FIG. 9