



US00D968878S

(12) **United States Design Patent** (10) **Patent No.:** **US D968,878 S**  
**Salim** (45) **Date of Patent:** **\*\* Nov. 8, 2022**

(54) **PITCHER CAP**

FOREIGN PATENT DOCUMENTS

(71) Applicant: **Dart Industries Inc.**, Orlando, FL (US)

CN 302739844 \* 2/2014  
CN 304264071 \* 9/2017

(72) Inventor: **Iwan Soetomo Salim**, Singapore (SG)

(Continued)

(73) Assignee: **Dart Industries Inc.**, Orlando, FL (US)

OTHER PUBLICATIONS

(\*\*) Term: **15 Years**

Amazon.com, "Arrow Plastic Clear Pitcher," Jul. 7, 2010, Amazon.com, www.amazon.com/Arrow-Products-00912-Gallon-Pitcher/dp/B005T63IUO (Year: 2010).\*

(21) Appl. No.: **29/728,349**

(Continued)

(22) Filed: **Mar. 18, 2020**

(51) **LOC (13) Cl.** ..... **07-01**

*Primary Examiner* — Joseph Kukella

(52) **U.S. Cl.**

*Assistant Examiner* — Arva P Adams

USPC ..... **D7/392**

(74) *Attorney, Agent, or Firm* — Taylor J. Ross

(58) **Field of Classification Search**

USPC ..... D7/300, 302, 312, 316–319, 321–322,  
D7/392, 392.1, 396.2, 397, 398, 401.1,  
D7/507, 509–511, 598, 600, 605–609,  
D7/619.1, 622, 629; D9/530, 534;  
D10/46.2

(57) **CLAIM**

CPC ..... A47G 19/12; A47G 19/127; A47G 19/14;  
A47G 2019/122; A47J 41/0016; A47J  
41/0022; A47J 41/0027

The ornamental design for a pitcher cap, as shown and described.

See application file for complete search history.

**DESCRIPTION**

(56) **References Cited**

U.S. PATENT DOCUMENTS

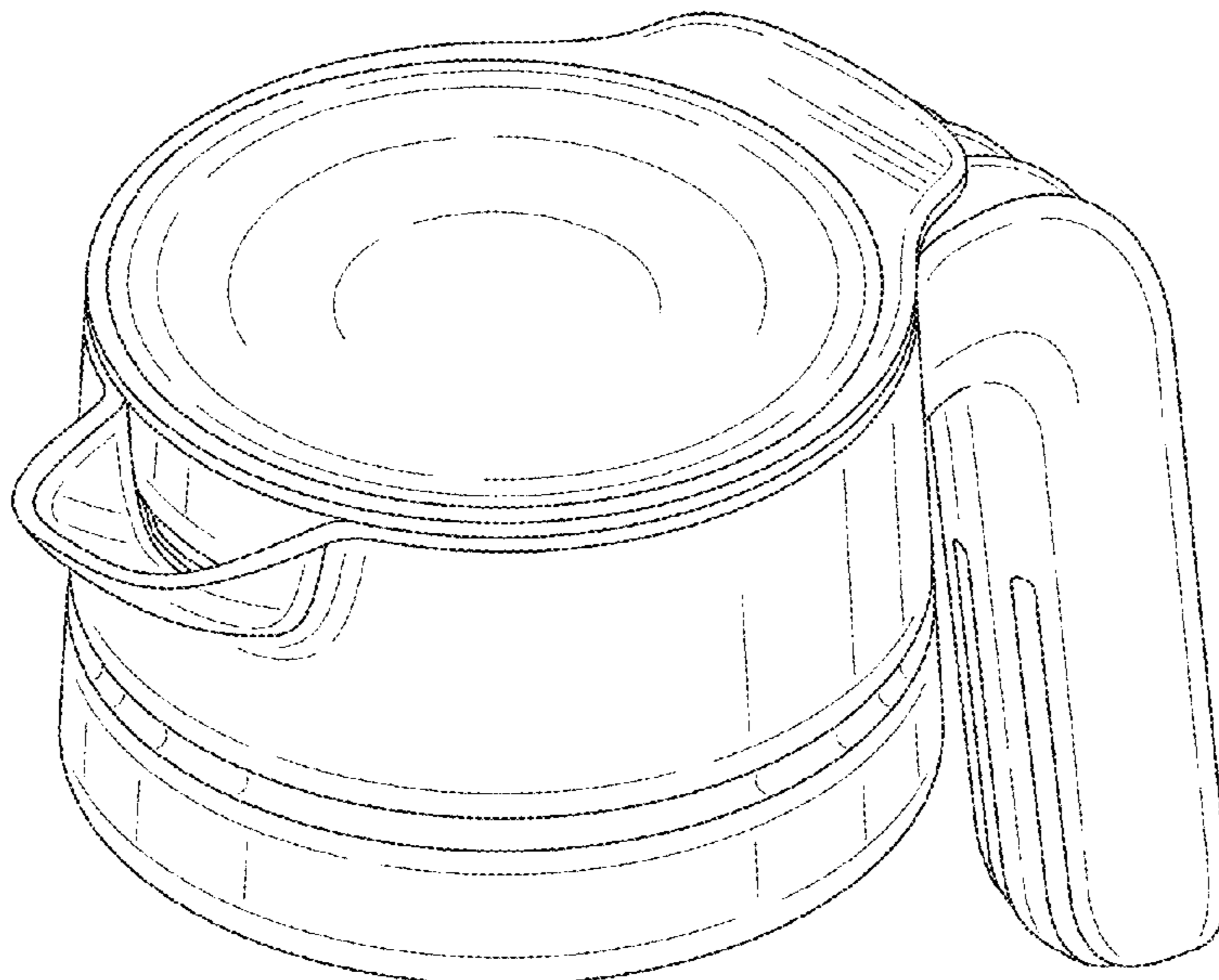
D192,192 S 2/1962 Tupper  
D194,622 S 2/1963 Swett  
D203,211 S \* 12/1965 Brocken ..... D7/392  
D208,567 S \* 9/1967 Mitchell ..... D7/318  
D249,925 S \* 10/1978 Rice ..... D7/379  
D350,255 S 9/1994 Daenen et al.  
D445,293 S 7/2001 Lillelund et al.  
D454,469 S 3/2002 Jalet et al.  
D459,941 S 7/2002 Miller  
D490,266 S \* 5/2004 Imai ..... D7/317  
D506,639 S 6/2005 Jalet

FIG. 1 is a top, front and left side isometric view of a pitcher cap showing my new design;  
FIG. 2 is a bottom, rear and left side isometric view thereof;  
FIG. 3 is a top plan view thereof;  
FIG. 4 is a bottom plan view thereof;  
FIG. 5 is a front elevation view thereof;  
FIG. 6 is a rear elevation view thereof;  
FIG. 7 is a right side elevation view, the left side being a mirror image thereof;  
FIG. 8 is a cross-sectional view take along line 8-8 of FIG. 3; and,  
FIG. 9 is a cross-sectional view taken along line 9-9 of FIG. 3.

The broken lines in the drawings depict environmental subject matter only and form no part of the claimed design.

(Continued)

**1 Claim, 5 Drawing Sheets**



(56)

**References Cited**

U.S. PATENT DOCUMENTS

D562,623 S \* 2/2008 Nybakke ..... D7/391  
D587,957 S \* 3/2009 Imai ..... D7/317  
D609,092 S 2/2010 Laib et al.  
D629,645 S \* 12/2010 Chin ..... D7/392.1  
D661,581 S \* 6/2012 Kallenbach ..... D9/449  
D676,713 S 2/2013 Jalet  
D686,864 S \* 7/2013 Poul ..... D7/317  
D688,909 S \* 9/2013 Chapman ..... D7/379  
9,016,518 B2 \* 4/2015 Poul ..... A47G 19/14  
D9/449  
D847,554 S \* 5/2019 Zhang ..... D7/392.1  
D850,259 S 6/2019 Wiggins  
2015/0201771 A1 \* 7/2015 Elsaden ..... A47G 19/127  
D7/391

FOREIGN PATENT DOCUMENTS

CO 11627-0001 \* 8/2020  
GB 9008156848-0002 \* 9/2020

OTHER PUBLICATIONS

Simple Melody, "New Tupperware Clearly Elegant Pitcher," Oct. 28, 2021, Amazon.com, [www.amazon.com/New-Tupperware-Clearly-Elegant-Pitcher/dp/B09KMGV22N?th=1](http://www.amazon.com/New-Tupperware-Clearly-Elegant-Pitcher/dp/B09KMGV22N?th=1) (Year: 2021).\*

\* cited by examiner

FIG. 1

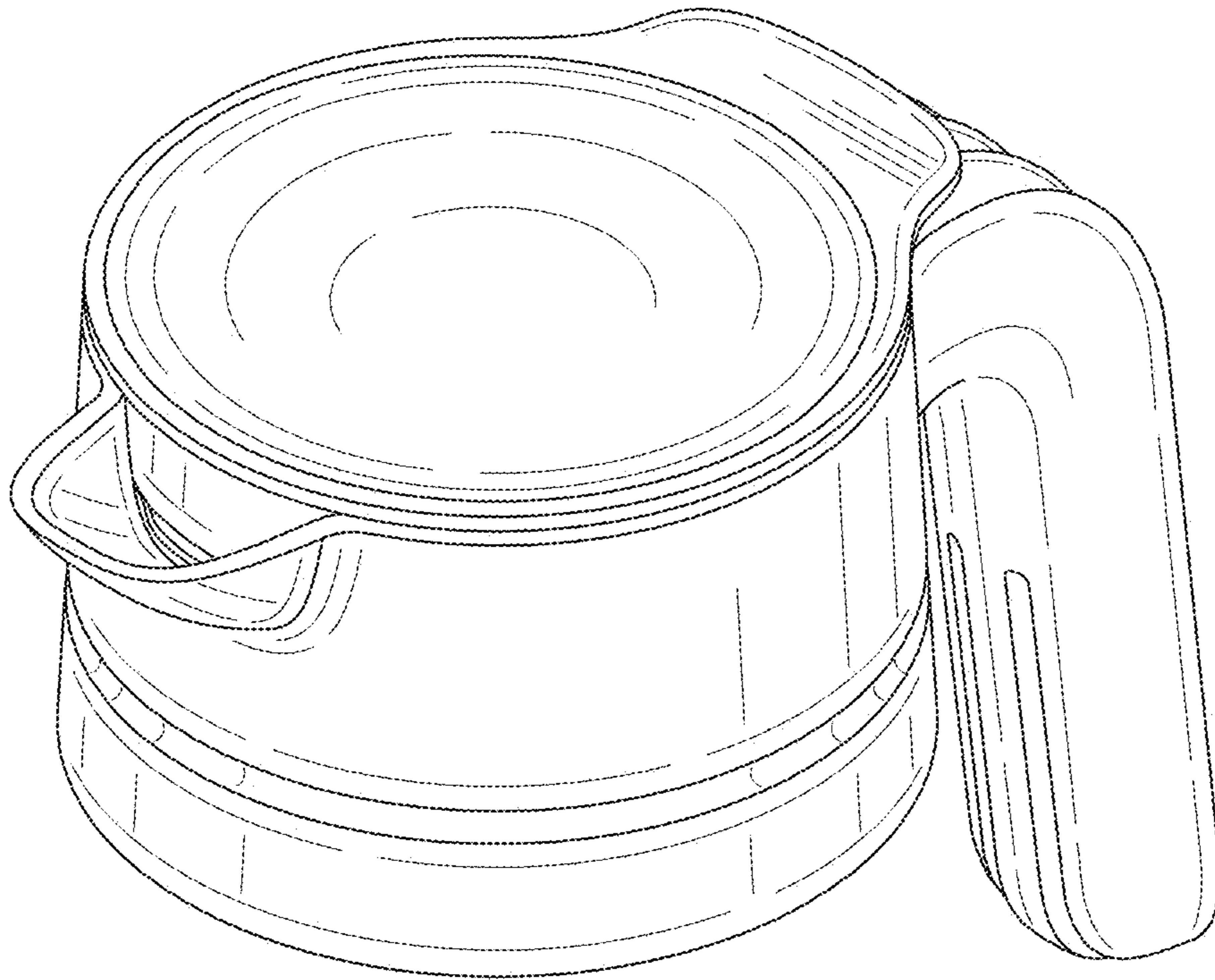


FIG. 2

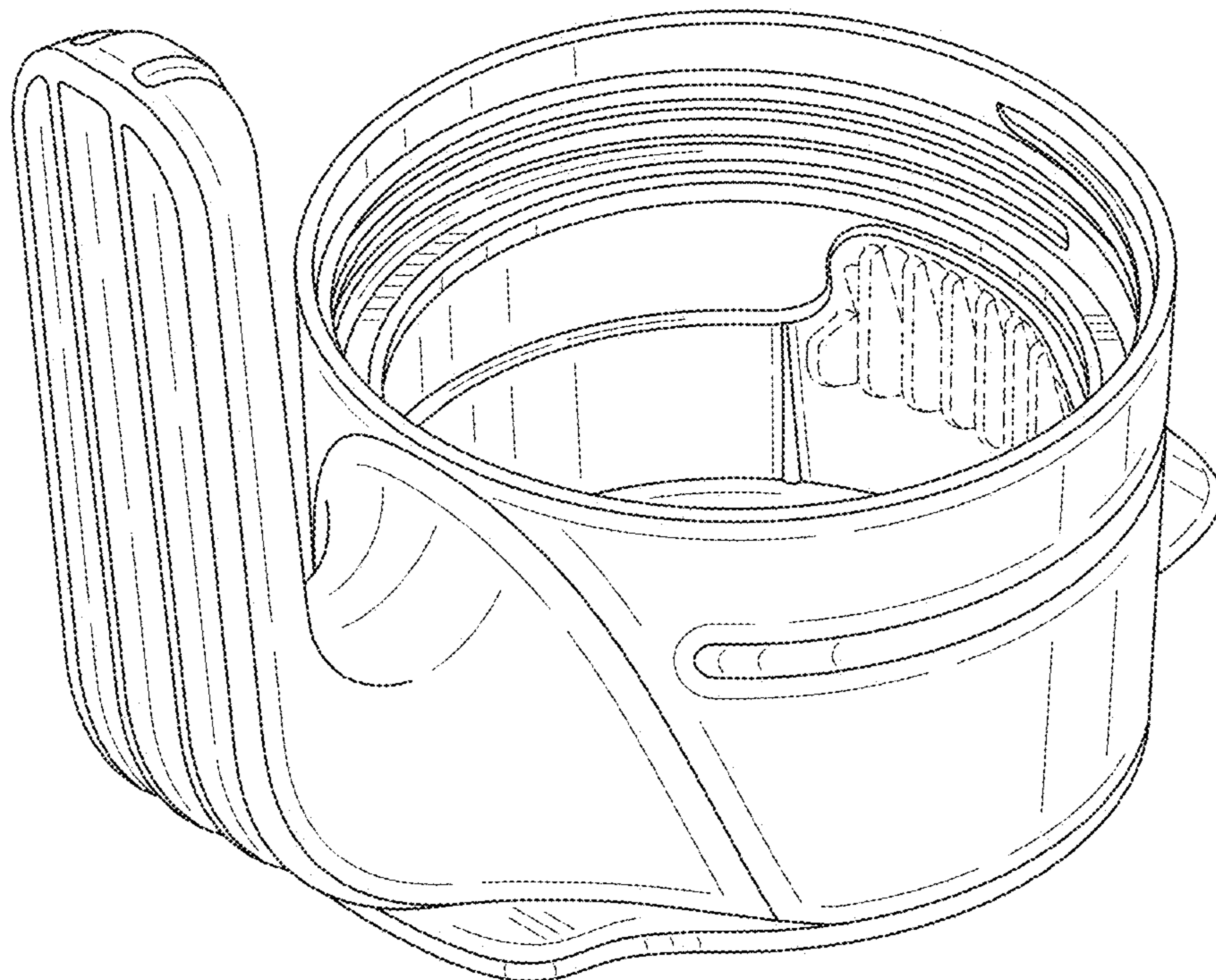
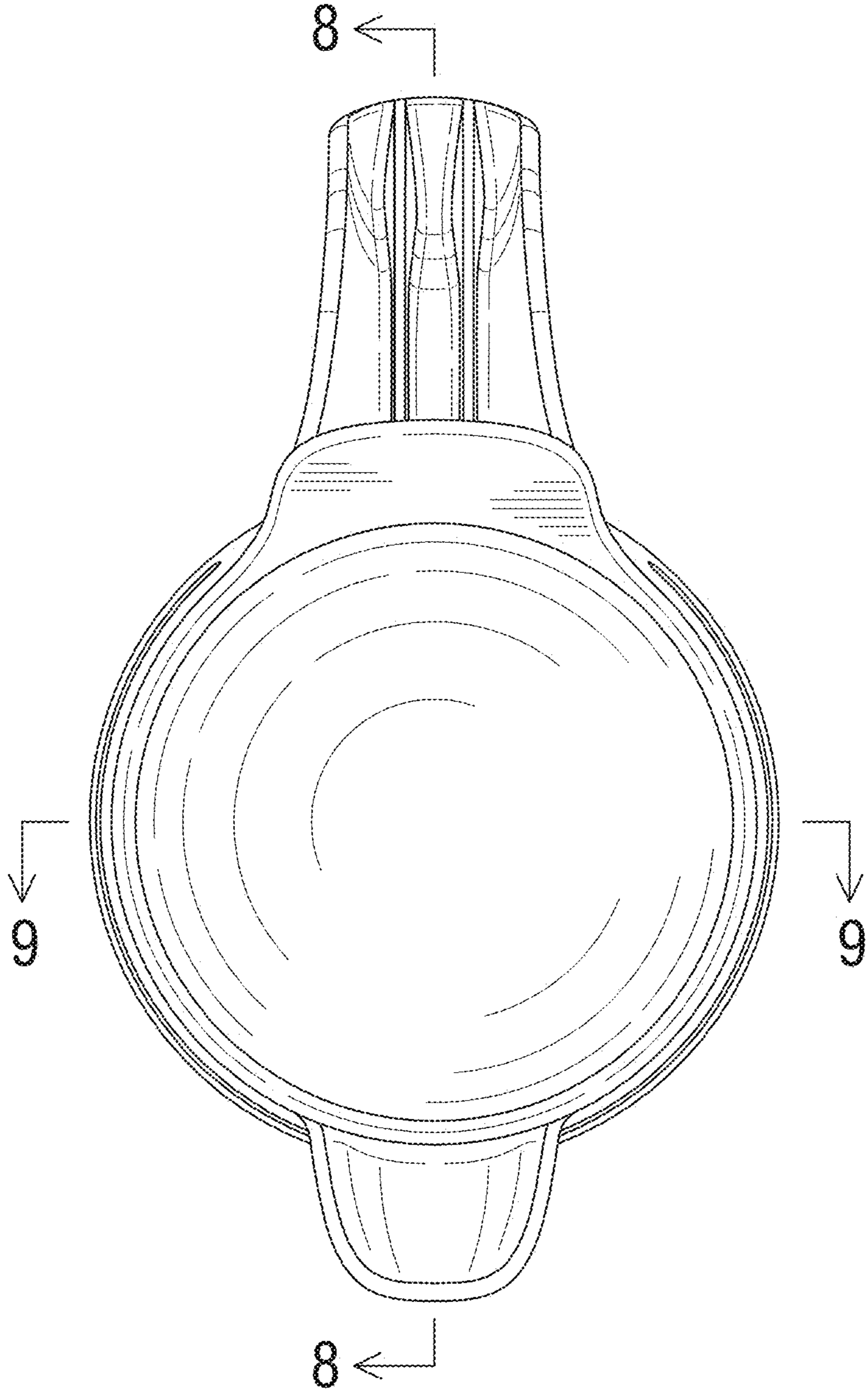


FIG. 3



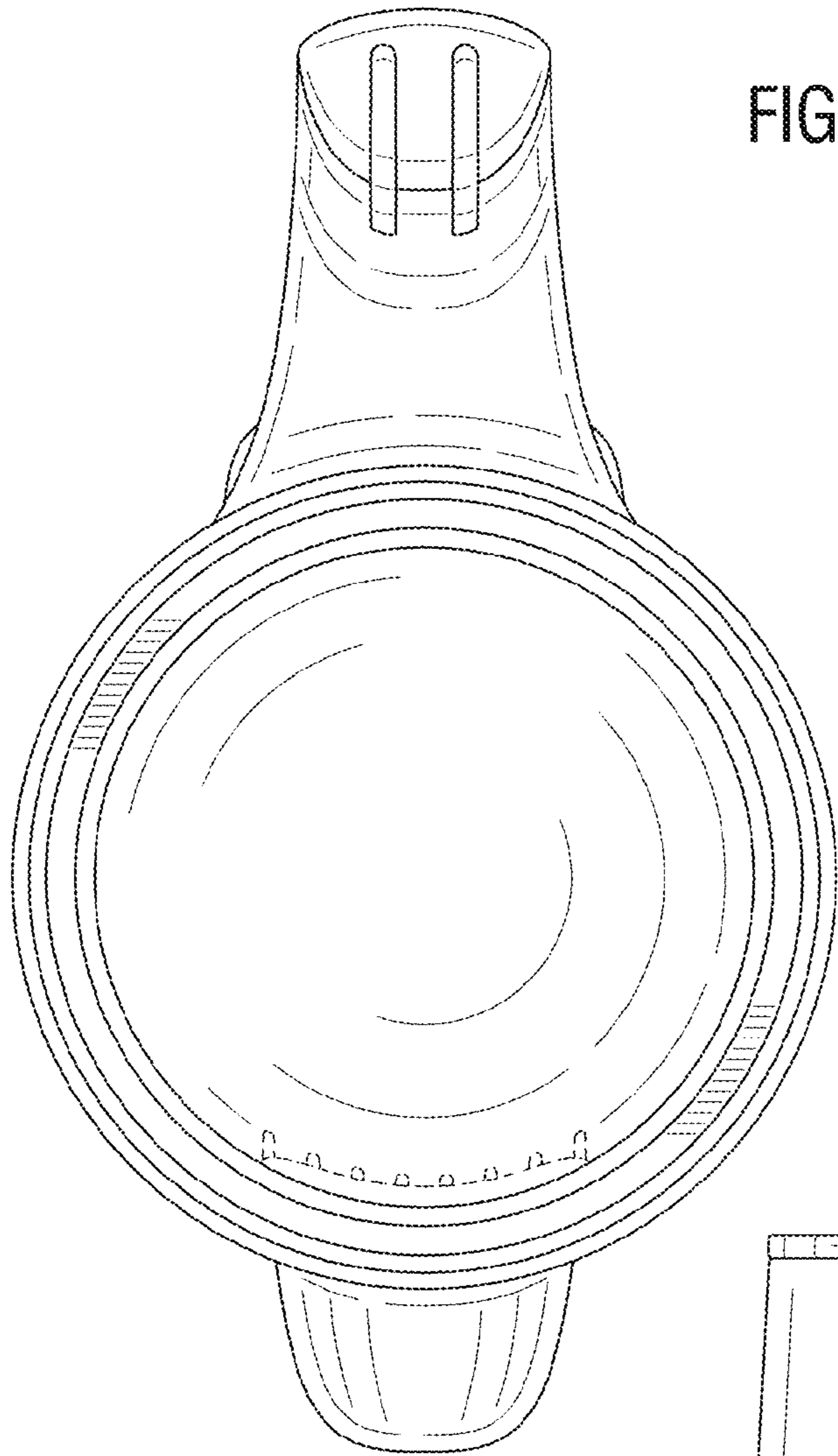


FIG. 4

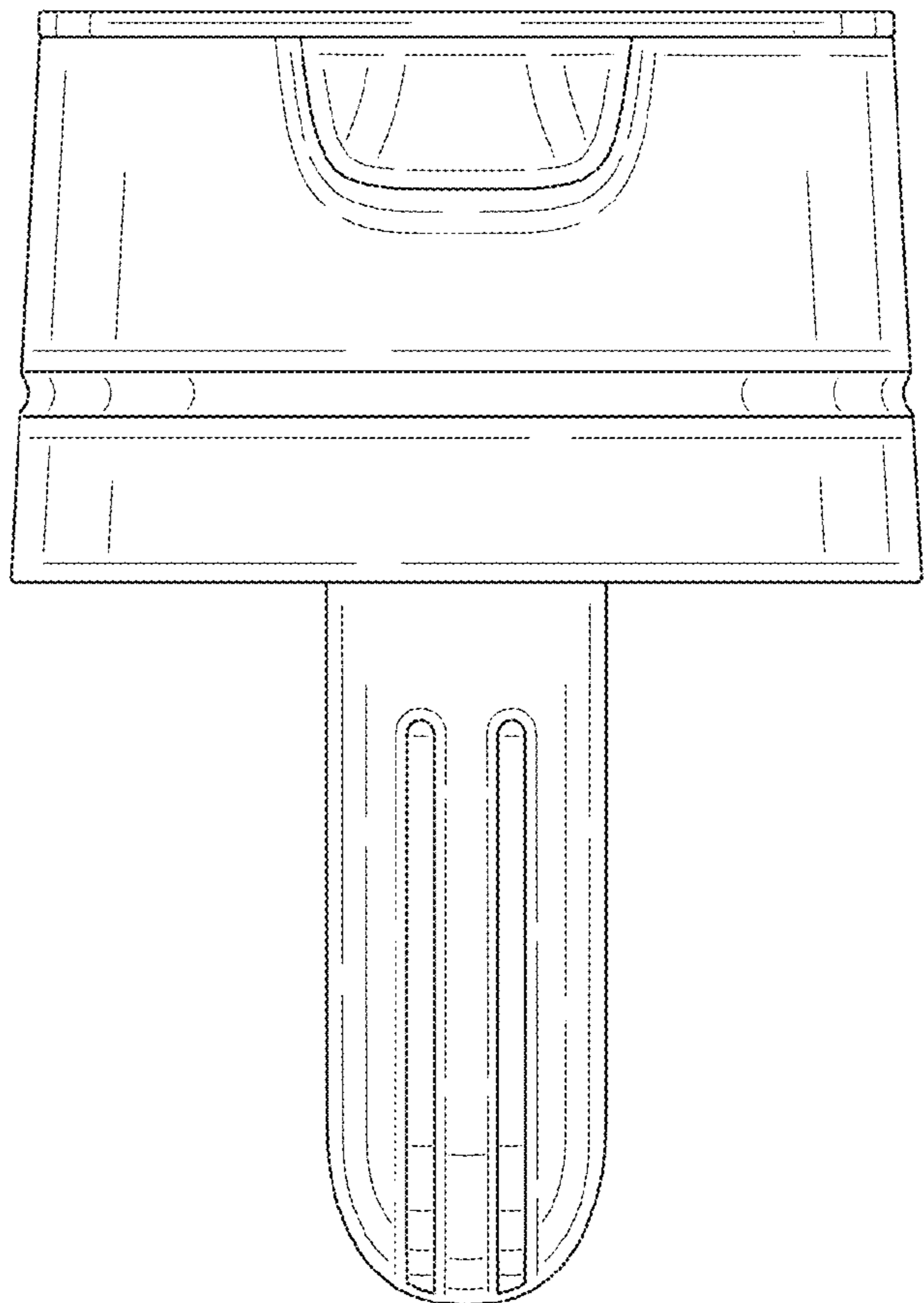


FIG. 5

FIG. 6

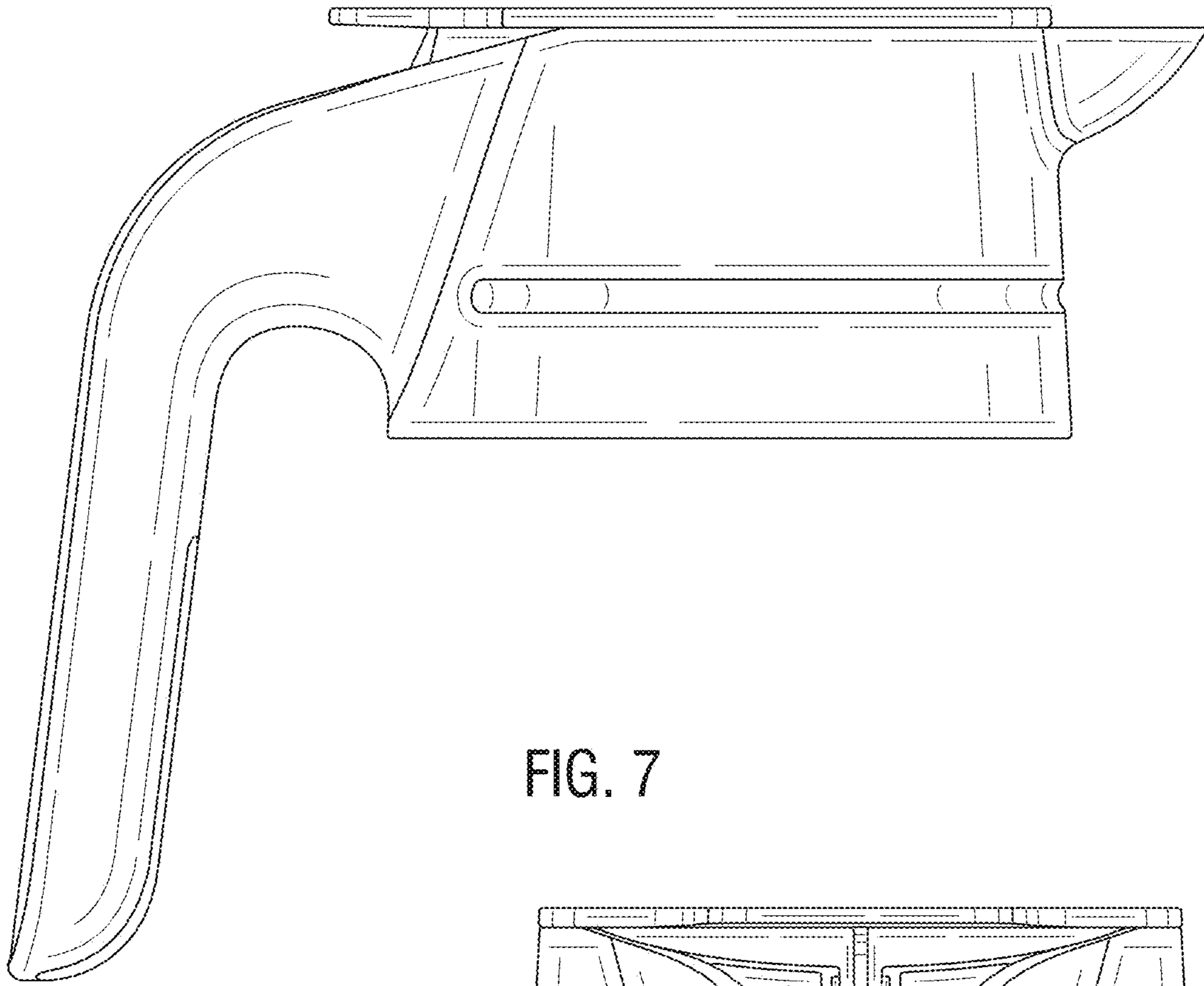


FIG. 7

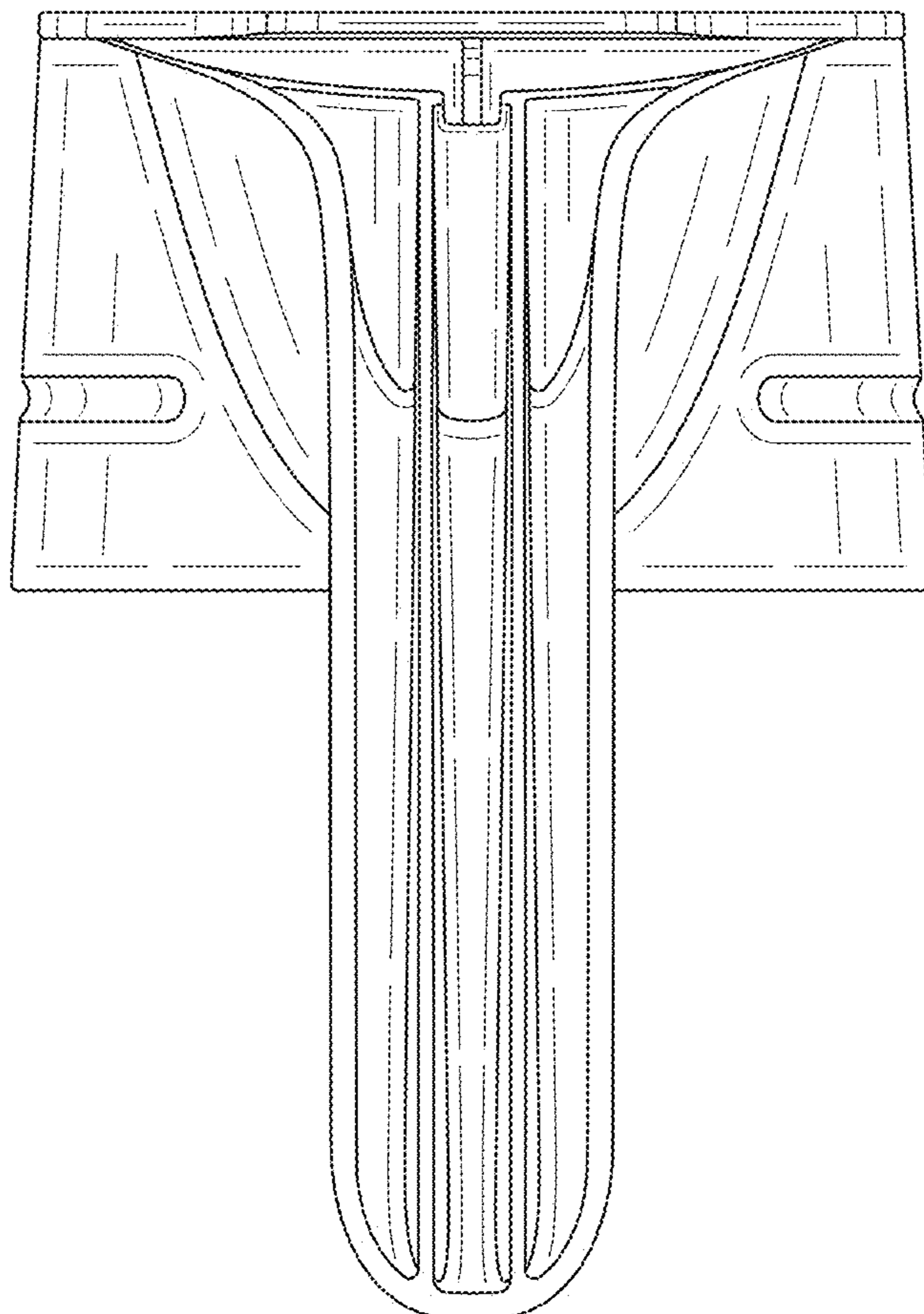


FIG. 8

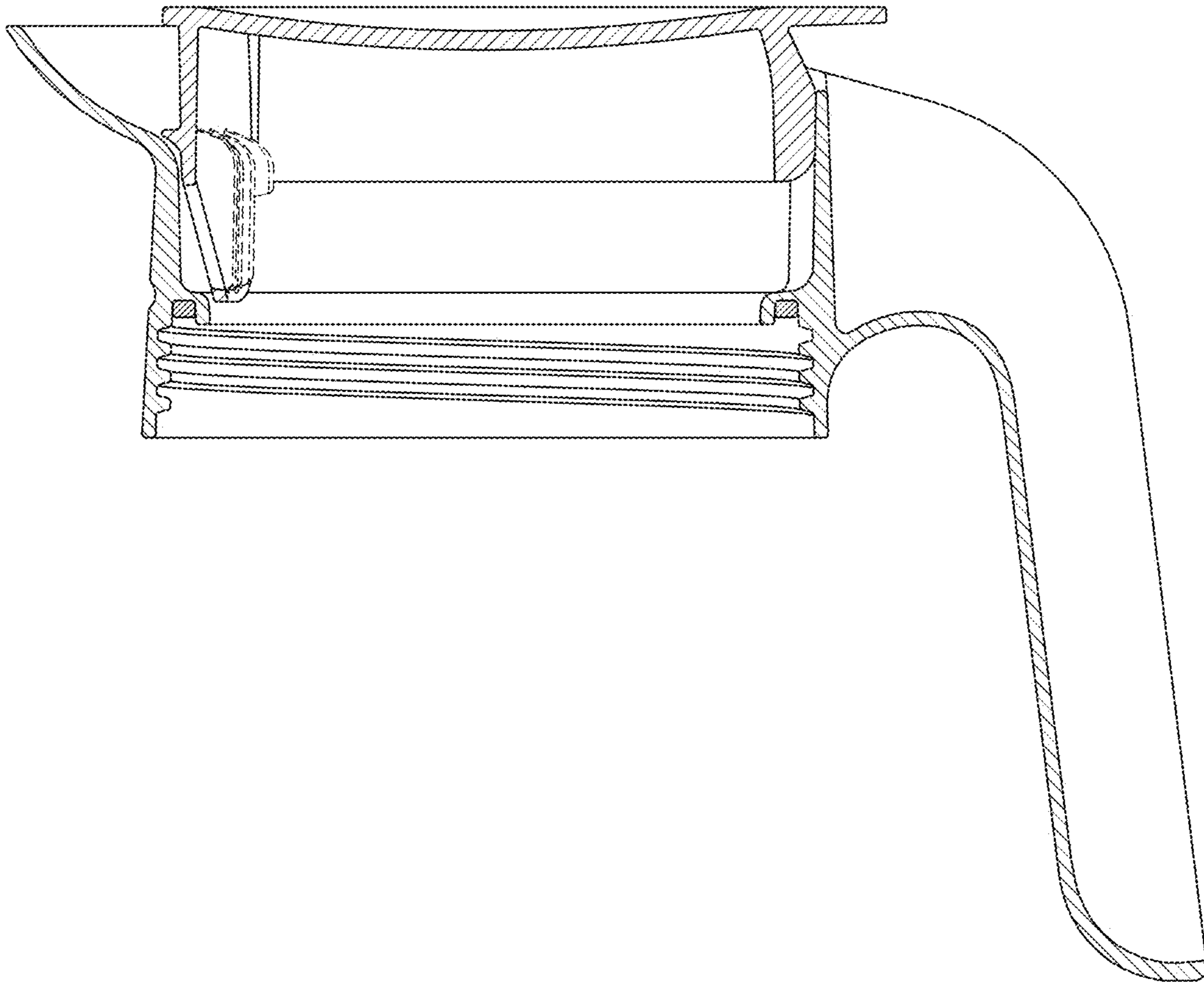


FIG. 9

