

US00D968875S

(12) **United States Design Patent** (10) **Patent No.:** **US D968,875 S**  
**Kloepfel et al.** (45) **Date of Patent:** **\*\* Nov. 8, 2022**

(54) **FOOD GRINDER**

FOREIGN PATENT DOCUMENTS

(71) Applicant: **BLUE SKY INNOVATION GROUP, INC.**, Sheffield Village, OH (US)

CN 302302044 \* 1/2013  
CN 304585647 \* 4/2018

(Continued)

(72) Inventors: **Gregg M. Kloepfel**, Sheffield Lake, OH (US); **Dale J. Zidan**, Eastlake, OH (US); **Jeffrey W. Palese**, Grafton, OH (US)

OTHER PUBLICATIONS

Cabela Carnivore Meat Grinder, posted at [cabelas.com](http://cabelas.com) (date not available), [site visited Jan. 25, 2022]. Available from internet, URL: <<https://www.cabelas.com/shop/en/cabelas-commercial-grade-1-3-4hp-carnivore-meat-grinder?rrec=true>> (Year: NA).\*

(Continued)

(73) Assignee: **BLUE SKY INNOVATION GROUP, INC.**, Sheffield Village, OH (US)

(\*\*) Term: **15 Years**

*Primary Examiner* — Andrew Kerr

*Assistant Examiner* — Chariton Alexakis

(74) *Attorney, Agent, or Firm* — Tarolli, Sundheim, Covell & Tummino LLP

(21) Appl. No.: **29/748,961**

(22) Filed: **Sep. 2, 2020**

(51) **LOC (13) Cl.** ..... **31-00**

(52) **U.S. Cl.**  
USPC ..... **D7/372**

(58) **Field of Classification Search**  
USPC ..... D7/372, 373, 374, 376, 377, 378, 381, D7/382, 383, 384, 385, 386, 412, 413, D7/414, 678, 679; D15/122–126, 138, D15/141  
CPC .... A22C 5/00; A22C 7/00; A22C 9/00; A22C 17/00; A22C 17/0006; A22C 17/004; A22C 17/0026; B02C 18/30; B02C 18/36; B02C 18/301; B02C 18/302; B02C 18/304; B02C 18/305; B02C 2018/307  
See application file for complete search history.

(57) **CLAIM**

The ornamental design for a food grinder, as shown and described.

**DESCRIPTION**

FIG. 1 is a left side view of a food grinder illustrating our new design.

FIG. 2 is a right side view of a food grinder illustrating our new design.

FIG. 3 is a rear view of a food grinder illustrating our new design.

FIG. 4 is a front view of a food grinder illustrating our new design.

FIG. 5 is a top view of a food grinder illustrating our new design; and,

FIG. 6 is a bottom view of a food grinder illustrating our new design.

The broken lines in the drawings depict portions of the food grinder that form no part of the claimed design.

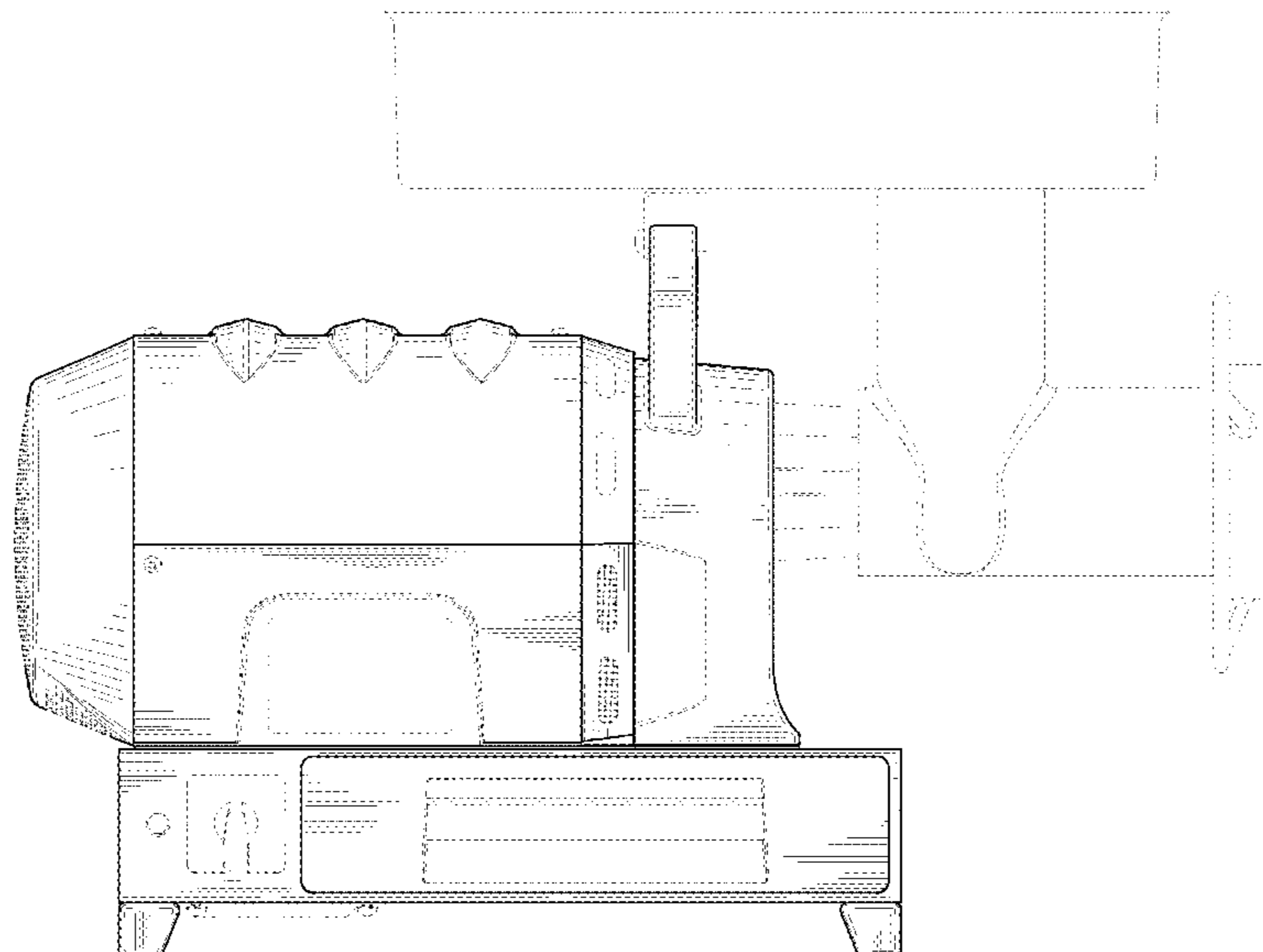
(56) **References Cited**

U.S. PATENT DOCUMENTS

2,262,605 A \* 11/1941 Glaz ..... B02C 18/305  
241/285.1  
2,751,950 A \* 6/1956 Scott ..... B02C 18/305  
241/301  
D236,283 S \* 8/1975 McCue ..... D7/372

(Continued)

**1 Claim, 5 Drawing Sheets**



(56)

**References Cited**

U.S. PATENT DOCUMENTS

6,003,797 A \* 12/1999 Lin ..... B02C 18/302  
 241/82.5  
 D495,921 S \* 9/2004 Lallemand ..... D7/372  
 D526,539 S \* 8/2006 Yip ..... D7/665  
 D610,396 S \* 2/2010 Chiang ..... D7/372  
 D712,696 S \* 9/2014 Huber ..... D7/372  
 D775,491 S \* 1/2017 Brinkley ..... D7/372  
 D809,330 S \* 2/2018 Liu ..... D7/373  
 D811,158 S \* 2/2018 Yuan ..... D7/372  
 D831,080 S \* 10/2018 Palese ..... D15/125  
 D927,266 S \* 8/2021 Wang ..... D7/643  
 2015/0336104 A1 \* 11/2015 Palese ..... B02C 18/301  
 62/4  
 2016/0318032 A1 \* 11/2016 Palese ..... B02C 18/30  
 2016/0332166 A1 \* 11/2016 Chen ..... B02C 18/30  
 2017/0274385 A1 \* 9/2017 Moore ..... A22C 17/0026  
 2017/0311759 A1 \* 11/2017 Xue ..... A47J 42/02

2017/0341083 A1 \* 11/2017 Palese ..... B02C 18/302  
 2018/0099289 A1 \* 4/2018 Moore ..... B02C 18/2291  
 2019/0056163 A1 \* 2/2019 Palese ..... B02C 18/305

FOREIGN PATENT DOCUMENTS

CN 305890986 \* 6/2020  
 CN 306134696 \* 10/2020

OTHER PUBLICATIONS

WESTON Butcher Electric Meat Grinder, posted at Amazon.com on Sep. 14, 2016, [site visited Jan. 25, 2022]. Available from internet, URL: <<https://www.amazon.com/WESTON-BRANDS-09-0801-W-Butcher-STAINLESS/dp/B01LYL9KR7>> (Year: 2016).\*  
 CABELAS Meat Grinder Preview, posted at Youtube.com on Nov. 27, 2017, [site visited Jan. 25, 2022]. Available from internet, URL: <[https://www.youtube.com/watch?v=JRr\\_mtW2pp0](https://www.youtube.com/watch?v=JRr_mtW2pp0)> (Year: 2017).\*

\* cited by examiner

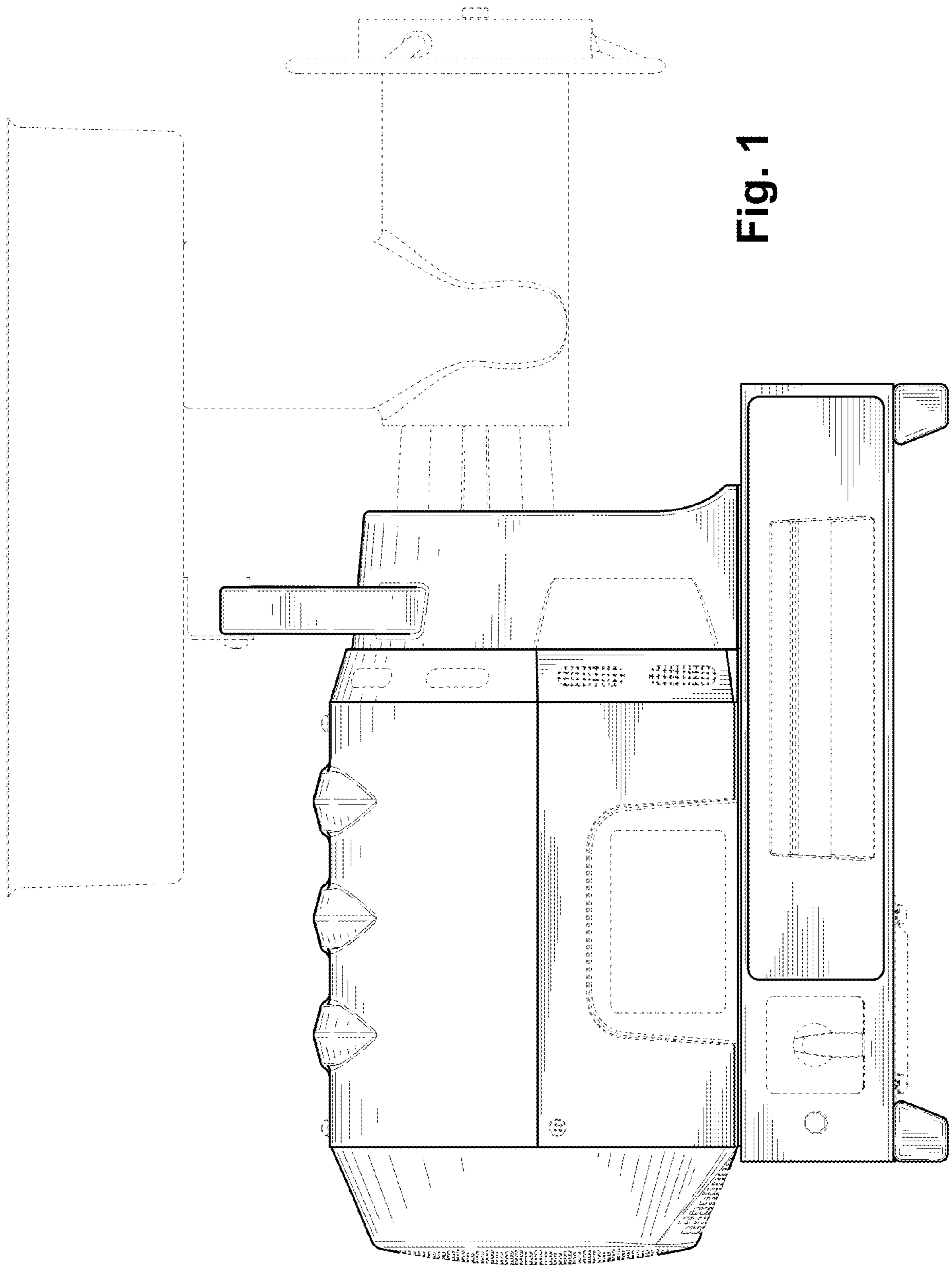


Fig. 1

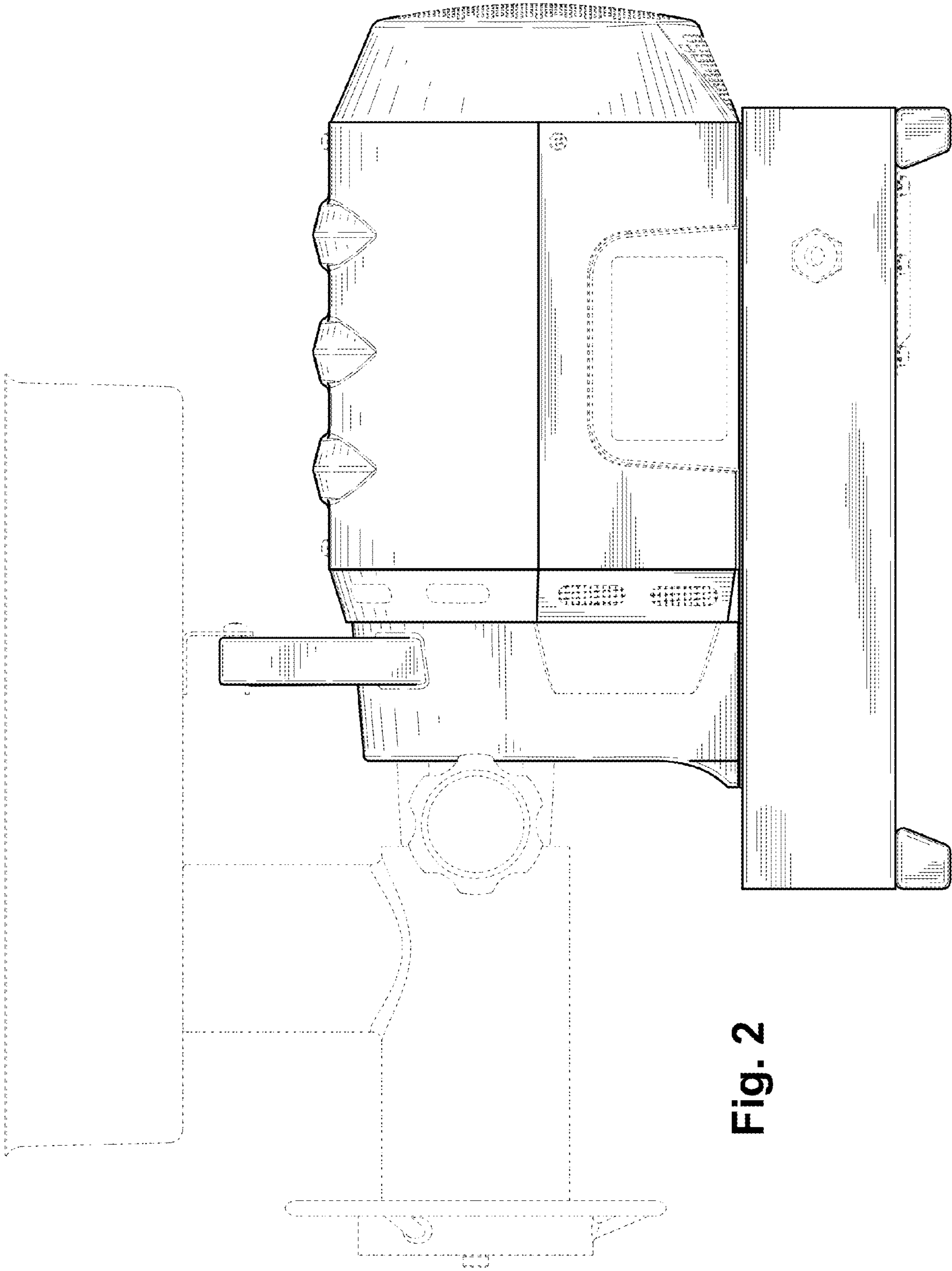


Fig. 2

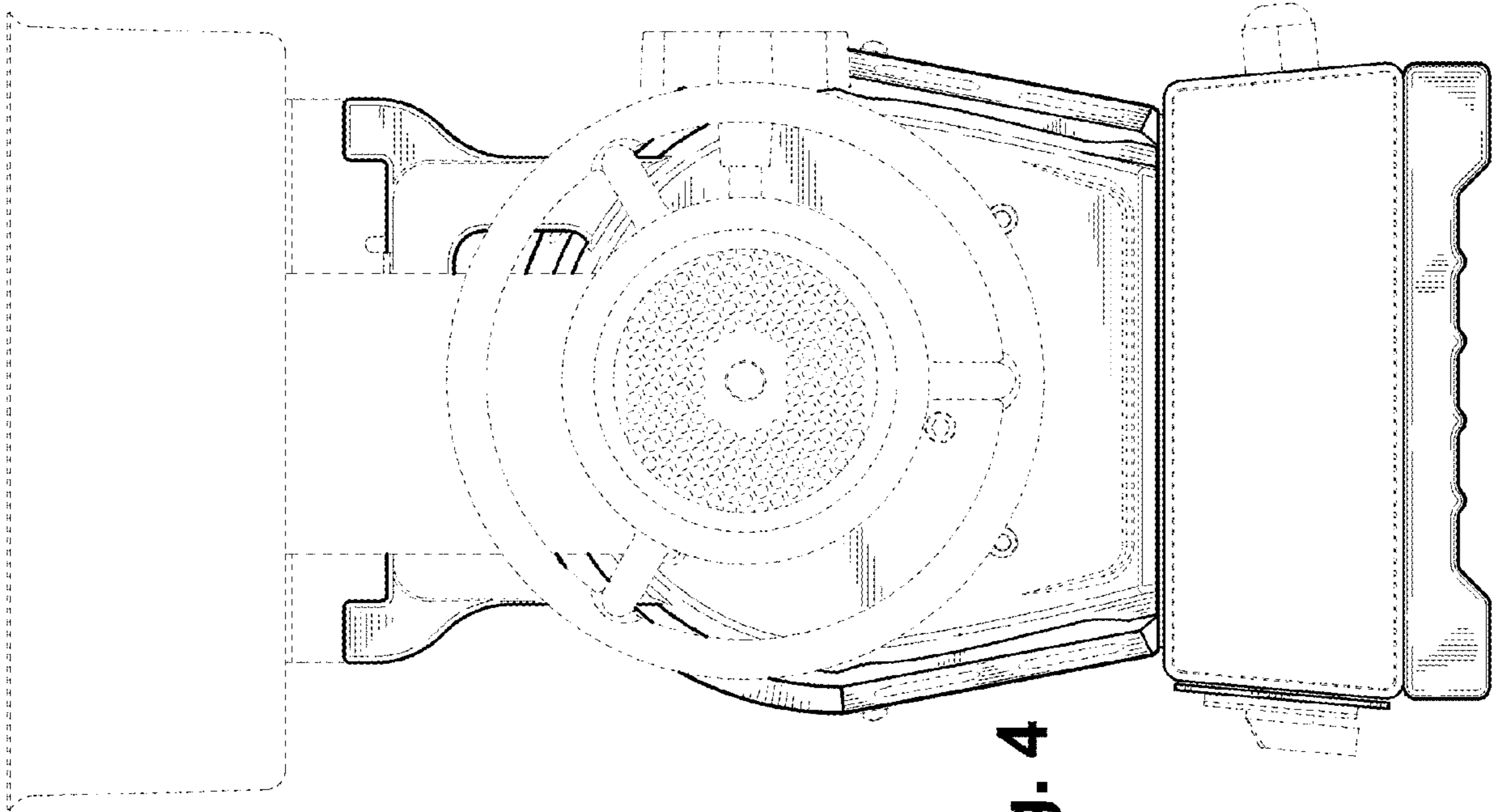


Fig. 4

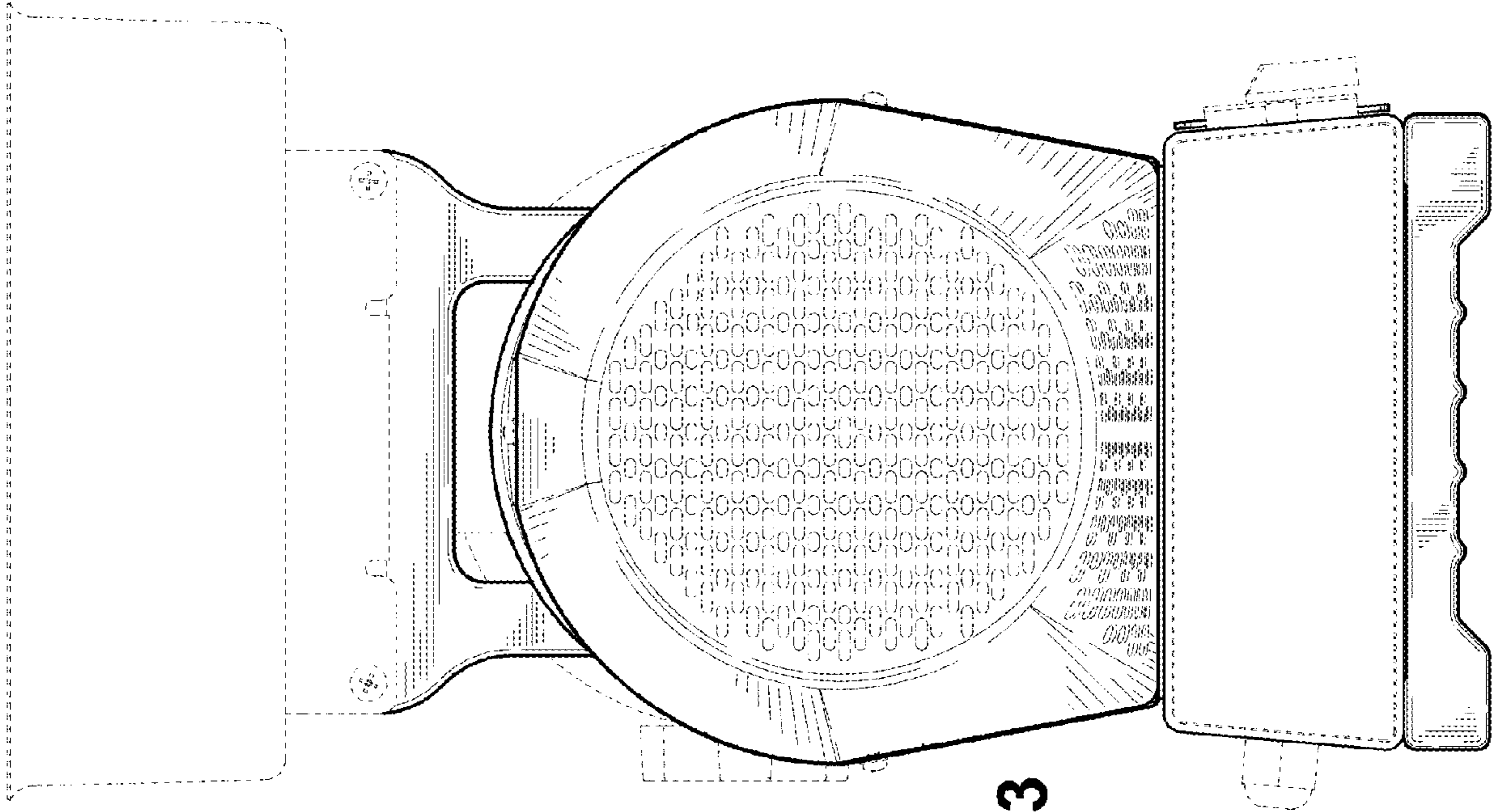


Fig. 3

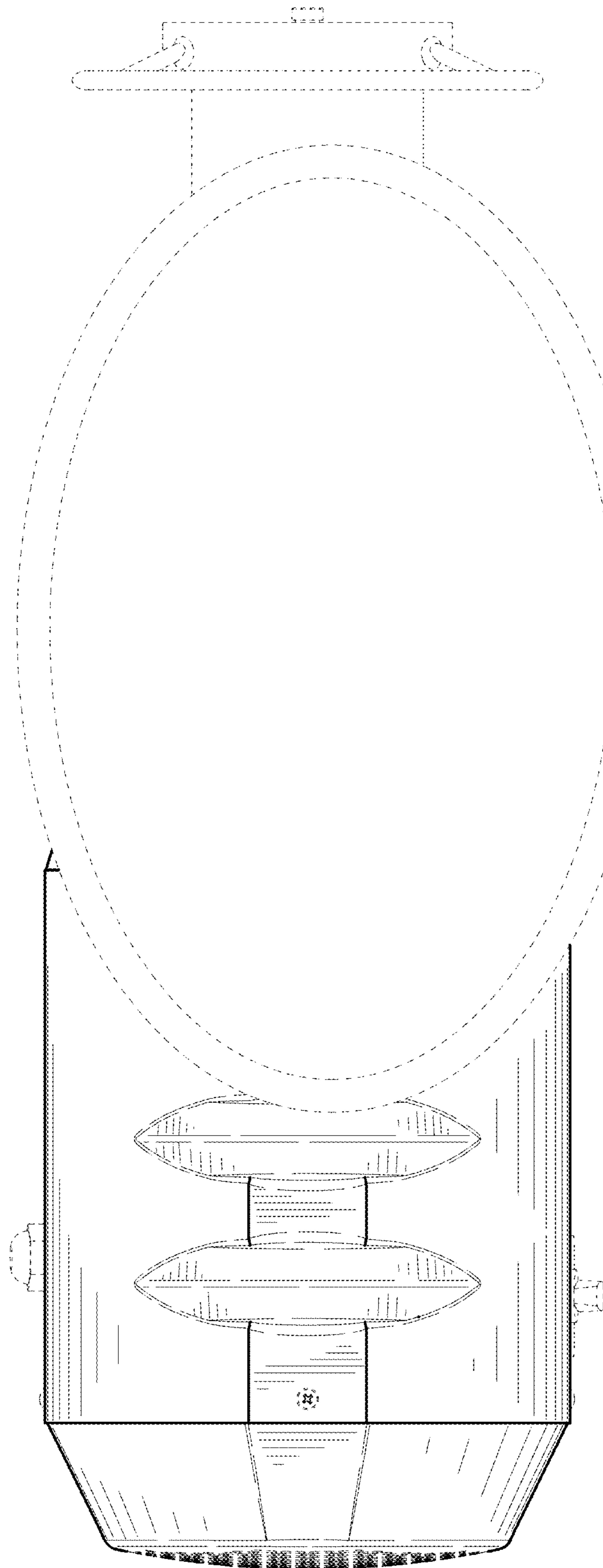


Fig. 5

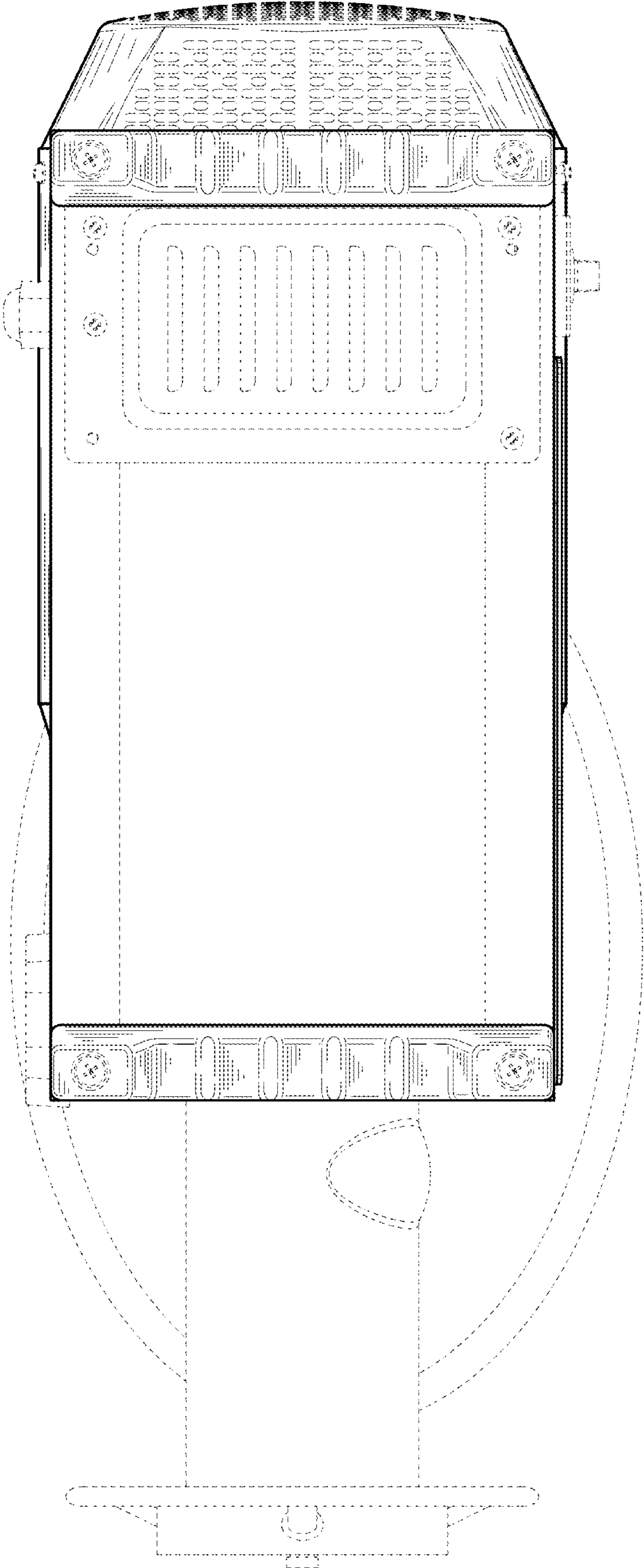


Fig. 6