



US00D968874S

(12) **United States Design Patent**  
**Springer**

(10) **Patent No.:** **US D968,874 S**

(45) **Date of Patent:** **\*\* Nov. 8, 2022**

- (54) **GRIDDLE COOKING PLATE**
- (71) Applicant: **Walmart Apollo, LLC**, Bentonville, AR (US)
- (72) Inventor: **Zachary Springer**, Bentonville, AR (US)
- (73) Assignee: **Walmart Apollo, LLC**, Bentonville, AR (US)

D253,627 S \* 12/1979 Adamson ..... D19/92  
 4,823,684 A 4/1989 Traeger  
 D302,703 S \* 8/1989 Foran ..... D19/86  
 (Continued)

**FOREIGN PATENT DOCUMENTS**

CN 303503968 \* 12/2015  
 CN 207803377 U 9/2018  
 (Continued)

**OTHER PUBLICATIONS**

Campingaz Cooking Plate, posted at Amazon.co.uk. on Jan. 15, 2018, [site visited Mar. 22, 2022 ]. Available from internet, URL: <https://www.amazon.co.uk/dp/B078YKZMTQ/> (Year: 2018).\*  
 (Continued)

*Primary Examiner* — Andrew Kerr  
*Assistant Examiner* — Chariton Alexakis  
 (74) *Attorney, Agent, or Firm* — Patterson Thuent Pedersen, P.A.

- (\*\*) Term: **15 Years**
- (21) Appl. No.: **29/749,463**
- (22) Filed: **Sep. 4, 2020**
- (51) **LOC (13) Cl.** ..... **07-02**
- (52) **U.S. Cl.**  
USPC ..... **D7/363**
- (58) **Field of Classification Search**  
USPC ..... D7/323, 346, 349, 352, 354, 355, 356, D7/357, 358, 359, 360, 361, 362, 363, D7/364, 365, 366, 367, 402, 409, 550.1, D7/553.2, 553.3, 554.3, 554.4; D10/83, D10/87; D32/53.1, 54, 55  
CPC .... A21B 2/00; A21B 3/00; A21B 3/13; A21B 3/15; A21B 5/00; A21B 5/02; A21B 5/023; A47J 36/02; A47J 36/025; A47J 37/00; A47J 37/04; A47J 37/06; A47J 37/0629; A47J 37/067; A47J 37/10; A47J 47/20; F24C 15/10; F24C 15/102; F24C 15/14; H05B 3/68; H05B 3/681; H05B 3/686; H05B 3/70; H05B 3/72; H05B 6/062

See application file for complete search history.

(56) **References Cited**

**U.S. PATENT DOCUMENTS**

D218,352 S \* 8/1970 Hoch ..... D6/683  
 3,837,329 A \* 9/1974 Mutchler ..... F24C 3/008  
 126/39 J

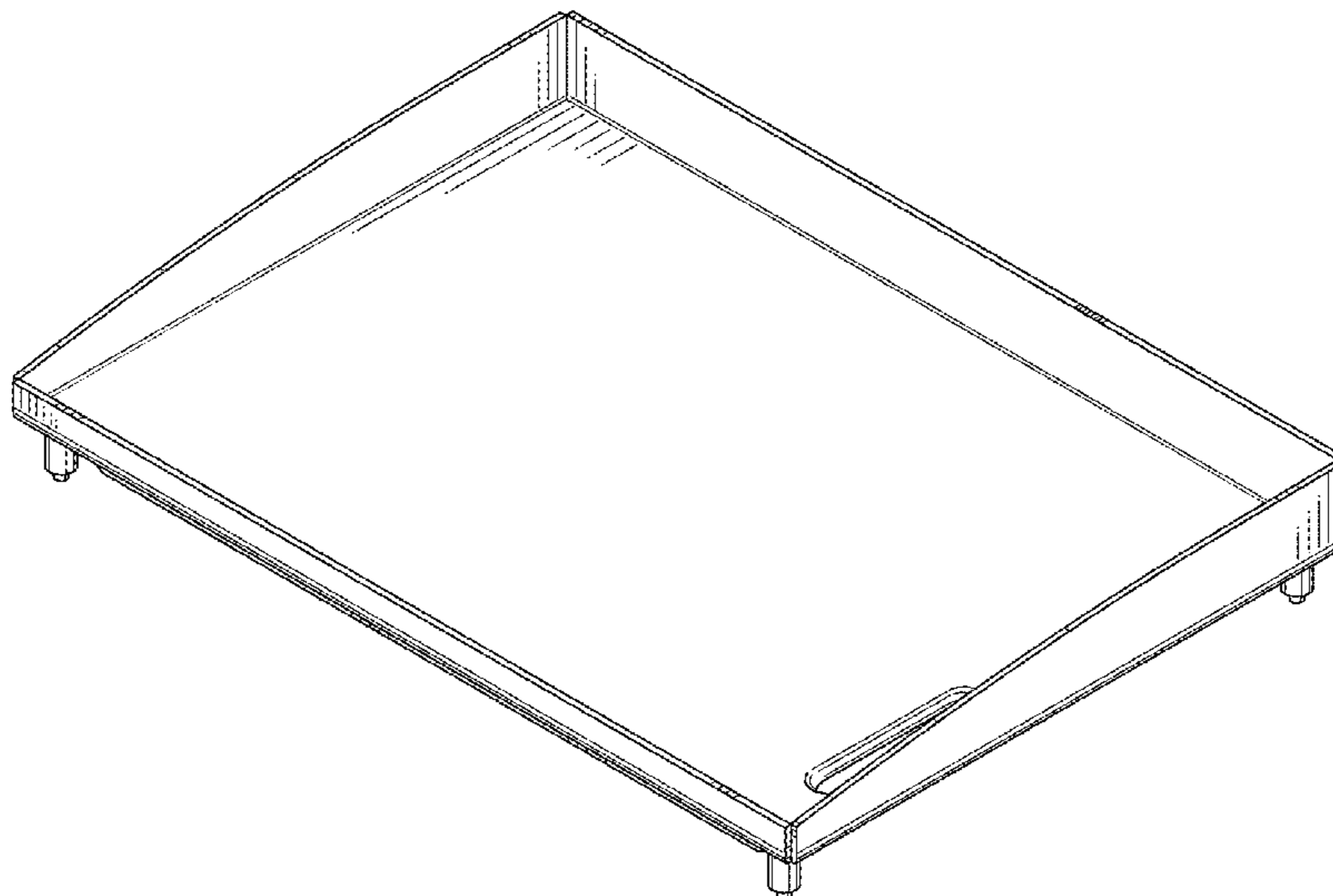
(57) **CLAIM**

I claim the ornamental design for a griddle cooking plate, as shown and described.

**DESCRIPTION**

FIG. 1 is a front perspective view of a griddle cooking plate. FIG. 2 is a top plan view of the griddle cooking plate depicted in FIG. 1. FIG. 3 is a bottom plan view of the griddle cooking plate depicted in FIG. 1. FIG. 4 is a front elevational view of the griddle cooking plate depicted in FIG. 1. FIG. 5 is a rear elevational view of the griddle cooking plate depicted in FIG. 1. FIG. 6 is a left side elevational view of the griddle cooking plate depicted in FIG. 1; and, FIG. 7 is a right side elevational view of the griddle cooking plate depicted in FIG. 1.

**1 Claim, 7 Drawing Sheets**



(56)

References Cited

U.S. PATENT DOCUMENTS

D348,284 S \* 6/1994 Thorud ..... D19/86  
 D348,694 S \* 7/1994 Evenson ..... D19/86  
 D420,851 S \* 2/2000 Wagner ..... D7/402  
 6,203,834 B1 3/2001 Anders  
 D465,693 S 11/2002 Coleman et al.  
 D489,221 S 5/2004 Pai  
 D503,067 S \* 3/2005 Lubowicki ..... D7/362  
 7,066,169 B2 6/2006 Feldewerth  
 D536,918 S 2/2007 Wood  
 7,228,792 B2 6/2007 Crawford  
 D546,116 S 7/2007 Tseng  
 D560,415 S 1/2008 Wood et al.  
 D584,562 S 1/2009 Chau et al.  
 D613,117 S \* 4/2010 Richburg ..... A47J 37/0871  
 D7/409  
 D614,915 S \* 5/2010 Schnitman ..... F24C 15/14  
 D7/409  
 D655,989 S \* 3/2012 Nelms ..... F23Q 9/045  
 D7/698  
 D657,183 S 4/2012 May  
 D671,788 S 12/2012 Slater  
 D679,331 S \* 4/2013 Stravitz ..... D19/92  
 D680,797 S 4/2013 Chung  
 D683,177 S 5/2013 Brennan  
 D694,056 S 11/2013 Dahle  
 D732,874 S 6/2015 Chung  
 D736,026 S 8/2015 Kam et al.  
 D737,627 S 9/2015 Goldenstein et al.  
 D741,105 S \* 10/2015 Ryan ..... D7/354  
 D745,802 S \* 12/2015 Yao ..... D7/363  
 9,357,879 B2 6/2016 Ortner  
 9,814,354 B2 11/2017 McAdams  
 D805,343 S 12/2017 Magee  
 D833,207 S \* 11/2018 Zemel ..... D7/363  
 10,213,051 B2 2/2019 Colston  
 D857,439 S 8/2019 Chung  
 D869,894 S 12/2019 Nicoll et al.  
 D896,561 S 9/2020 Measom et al.  
 D901,244 S 11/2020 Baker et al.  
 D915,120 S 4/2021 Bennion et al.  
 D921,413 S 6/2021 Fitzpatrick  
 D926,510 S 8/2021 Chung  
 D927,917 S 8/2021 Yueh  
 D927,918 S 8/2021 Dahle et al.  
 D934,611 S 11/2021 Dahle et al.  
 D940,496 S \* 1/2022 Wang ..... D7/363  
 2005/0034716 A1 2/2005 Harbin  
 2007/0277800 A1 12/2007 Chiang  
 2009/0025705 A1 \* 1/2009 Hatjopoulos ..... A47J 37/0682  
 126/214 D  
 2009/0235918 A1 \* 9/2009 Espina ..... F23Q 9/045  
 126/39 G  
 2017/0164783 A1 6/2017 Sauerwein et al.  
 2017/0332838 A1 \* 11/2017 Dahle ..... F24C 15/14  
 2018/0368618 A1 12/2018 Measom et al.  
 2019/0256338 A1 8/2019 Moss  
 2021/0244233 A1 \* 8/2021 Bush, III ..... A47J 37/0871  
 2021/0315416 A1 \* 10/2021 Fullmer ..... F24C 15/107  
 2022/0022688 A1 \* 1/2022 Barajas, Jr ..... F24C 15/14  
 2022/0071444 A1 3/2022 Springer  
 2022/0071445 A1 3/2022 Springer

FOREIGN PATENT DOCUMENTS

DE 202017105189 9/2017  
 GB 9004005239-0005 \* 5/2017

OTHER PUBLICATIONS

Cuisinart Grill with Removable Plate, posted at Amazon.co.uk. on Aug. 28, 2020, [site visited Mar. 22, 2022]. Available from internet, URL: <<https://www.amazon.co.uk/Cuisinart-Collection-Entertaining-Temperature-PL60U/dp/B08GYHGJQ6/>> (Year: 2020).\*

Camplux Gas Griddle, posted at Amazon.com on Sep. 18, 2020, [site visited Mar. 22, 2022]. Available from internet, URL: <<https://www.amazon.com/CAMPLUX-ENJQY-OUTDOOR-LIFE-GG302S/dp/B08JGJZHPF/>> (Year: 2020).\*

Chinese Application Design No. 305786550, published on May 19, 2020, Author: Wang Maoxian, 8 pages.

Home Depot, “Dyna-Glo 4-Burner Propane Gas Grill in Stainless Steel with Griddle-DGX440SGP,” Retrieved from internet URL: <https://www.homedepot.com/p/Dyna-Glo-4-Burner-Propane-Gas-Grill-in-Stainless-Steel-with-Griddle-DGX440SGP/310506606>, 2021, 6 pages.

Lowe’s, “Blackstone 3-Burner Natural Gas or Liquid Propane Flat Top Grill,” Retrieved from internet URL: <https://www.lowes.com/pd/Blackstone-Culinary-3-Burner-30-In-with-Hood/1003254674>, site visited on Nov. 11, 2021, 6 pages.

Walmart, “Expert Grill Commadore Pellet Grill and Smoker,” Retrieved from Internet URL: <https://www.walmart.com/ip/Expert-Grill-Cornrodore-Pellet-Grill-and-Smoker/675237961>, retrieved on Oct. 6, 2021, 12 pages.

Walmart, “Expert Grill Concord 3-In-1 Pellet Grill, Smoker, and Propane Gas Griddle,” Retrieved from internet URL: <https://www.walmart.com/ip/Expert-Grill-Concord-3-In-1-Pellet-Grill-Smoker-and-Propane-Gas-Griddle/505997762>, 2021, 13 pages.

Walmart, “Expert Grill Pioneer 28-Inch Portable Propane Gas Griddle,” Retrieved from Internet URL: <https://www.walmart.com/ip/Expert-Grill-Pioneer-28-Inch-Portable-Propane-Gas-Griddle/768889699?athbdg=L1300>, Retrieved on Oct. 6, 2021, 10 pages.

Application and File History for U.S. Appl. No. 29/749,461, filed Sep. 4, 2020, Inventor: Zachary Springer.

Application and File History for U.S. Appl. No. 29/749,468, filed Sep. 4, 2020, Inventor: Zachary Springer.

Application and File History for U.S. Appl. No. 29/749,472, filed Sep. 4, 2020, Inventor: Zachary Springer.

Application and File History for U.S. Appl. No. 29/749,475, filed Sep. 4, 2020, Inventor: Zachary Springer.

EQuipped GR24-T 24" Gas Griddle—Thermostatic, ¾" Steel Plate, Natural Gas, dated Sep. 19, 2019, 5 pages.

Blaze Outdoor Products, Blaze 30-Inch Built-In Gas Griddle Lite, dated Sep. 19, 2019, 3 pages.

amazon.com, Cuisinart GR-55 Griddler Stainless Steel Nonstick Grill/Griddle Combo, dated Sep. 19, 2019, 8 pages.

The Spruce Eats, Weber Genesis II E-210 Propane Grill Review, dated Sep. 19, 2019, 17 pages.

walmart.com, George Foreman Dual Surface Griddle and Grill, GFG240X, dated Sep. 18, 2019, 17 pages.

The GMG Difference: How A Pellet Grill Works, dated Sep. 23, 2019, 10 pages.

Blaze 30-Inch Built-In Gas Griddle Lite, dated Sep. 19, 2019, 3 pages.

Oster Titanium Infused DuraCeramic Reversible Grill/Griddle, Black, dated Sep. 20, 2019, 9 pages.

Cuisinart GR-55 Griddler Stainless Steel Nonstick Grill/Griddle Combo, dated Sep. 19, 2019, 8 pages.

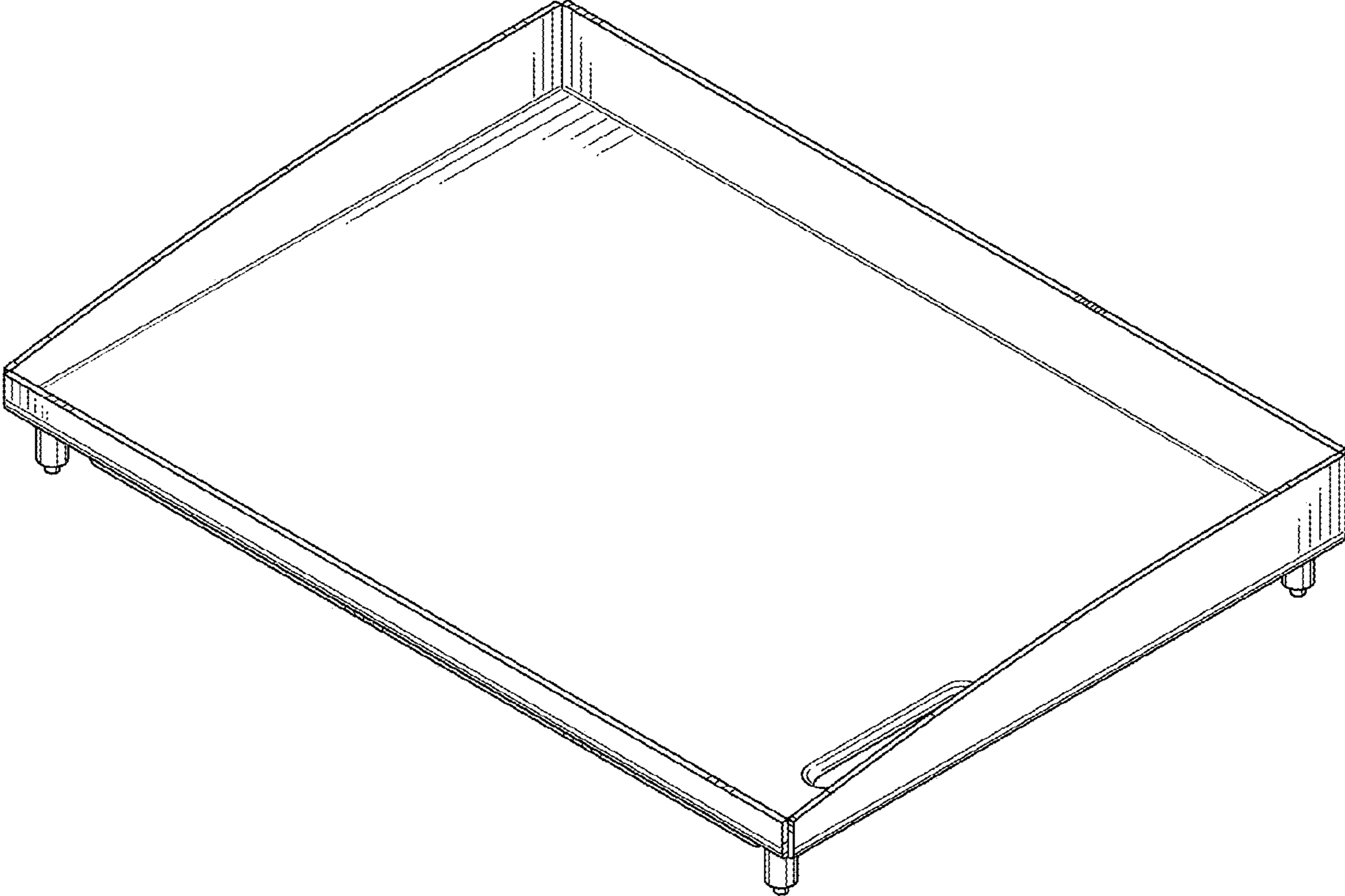
Weber Genesis II E-210 Propane Grill Review, dated Sep. 19, 2019, 17 pages.

Chinese Application, Application No. 201721097557.7, filed Aug. 29, 2017.

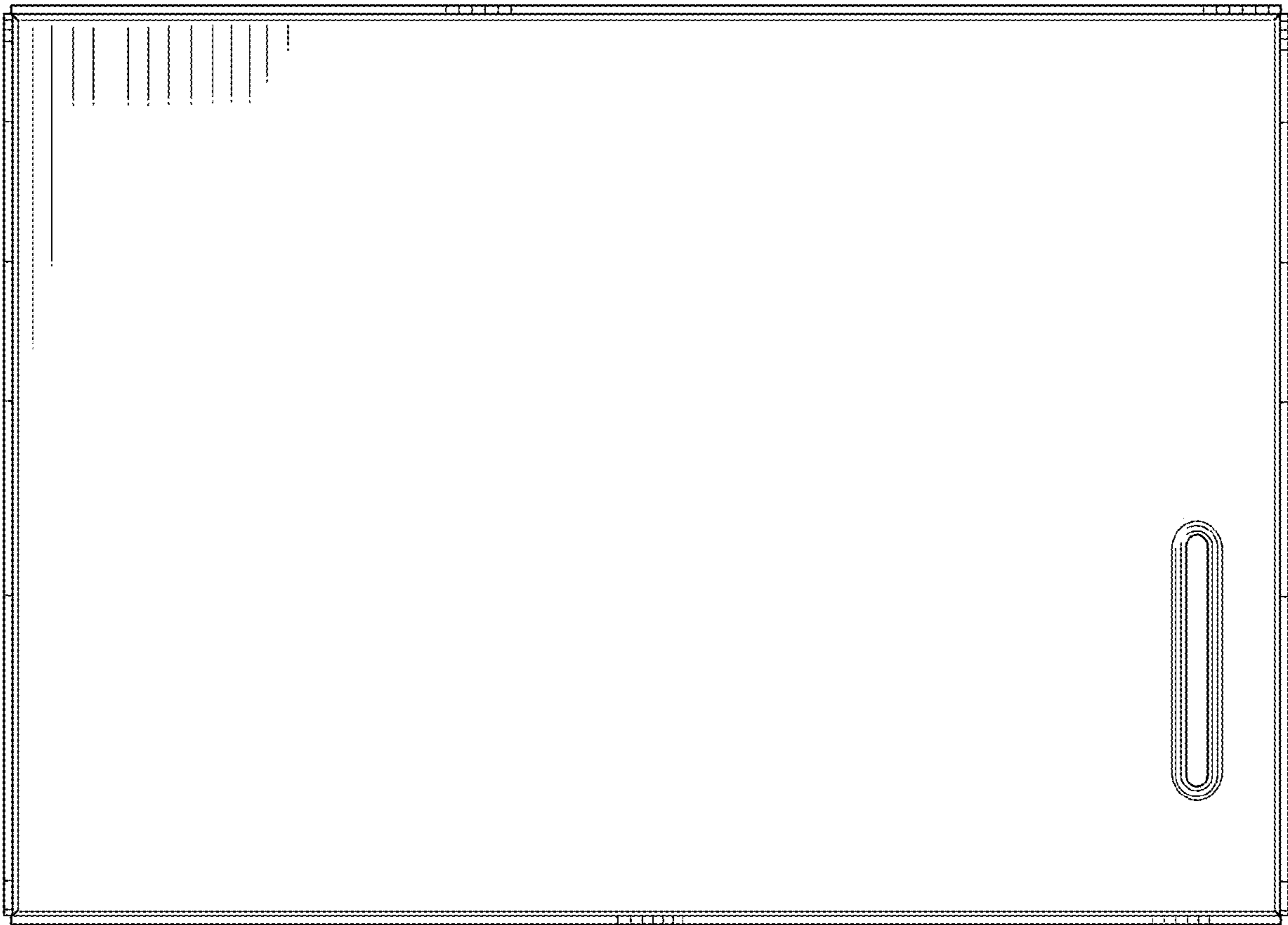
Walmart. Com, Pit Boss Platinum KC Combo, WiFi and Bluetooth Wood Pellet and Gas Grill, : <https://www.walmart.com/ip/Pit-Boss-KC-Combo-Platinum-Series-Wood-Pellet-Grill-and-Smoker-w-Gas-Grill-and-Griddle/716604652?wmlspartner=wlp&selectedSellerId=0&w13=1&adid=222222227325778989&w10=&w11=g&w12=c&w13=408300245413&w14=aud-430887228898:pla-854030077418&w15=9026058&w16=&w17=&w18=&w19=pla&w10=8175035&w11=local&w12=716604652&veh=sem>, available prior to Sep. 4, 2020, 31 pages.

Expert Grill Atlas Pellet Grill and Smoker, Walmart [online], [site visited Oct. 6, 2021], Available from internet URL: <https://www.walmart.com/ip/Expert-Grill-Atlas-Pellet-Grill-and-Smoker/808216815> (Year: 2021).

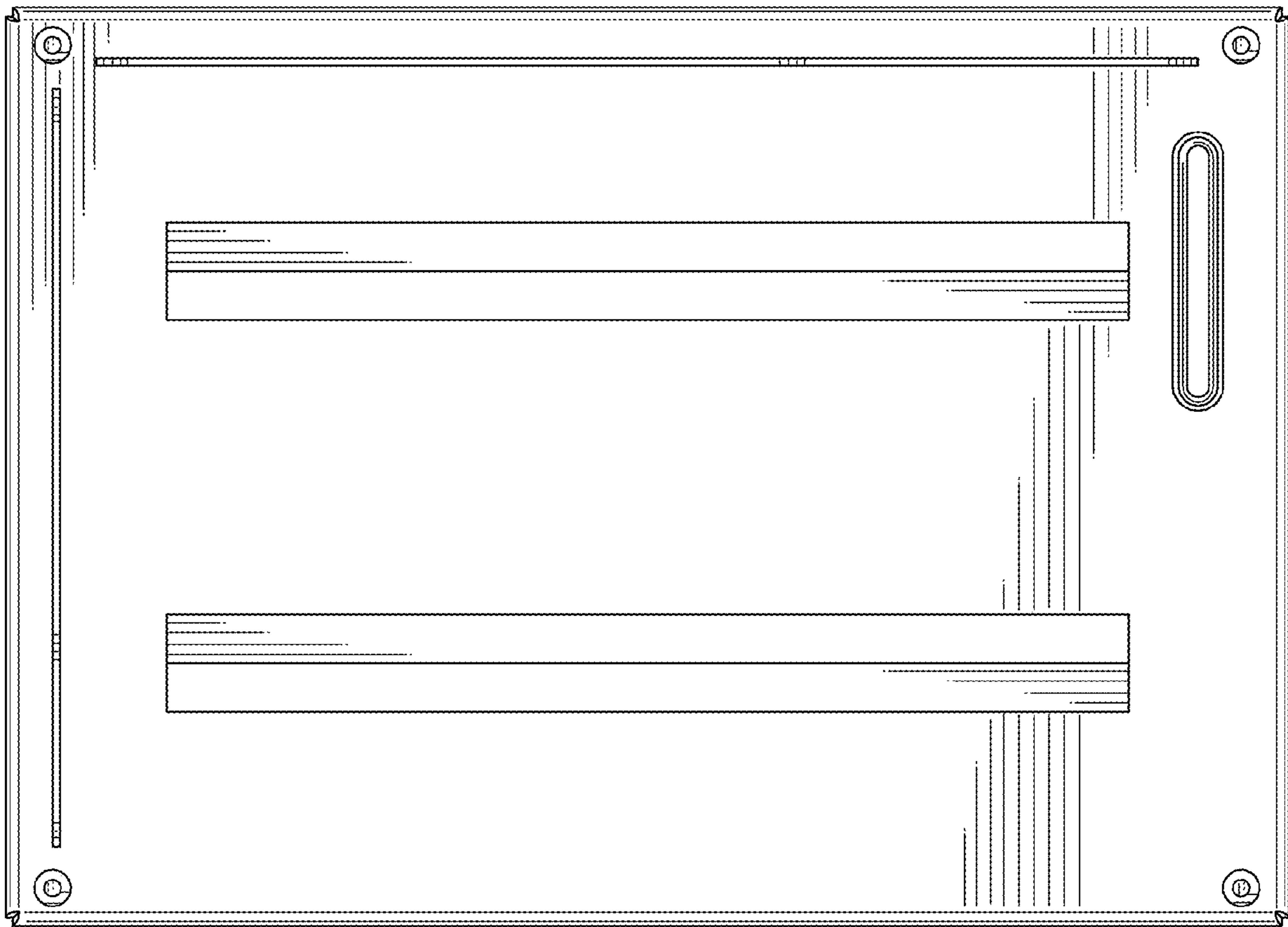
\* cited by examiner



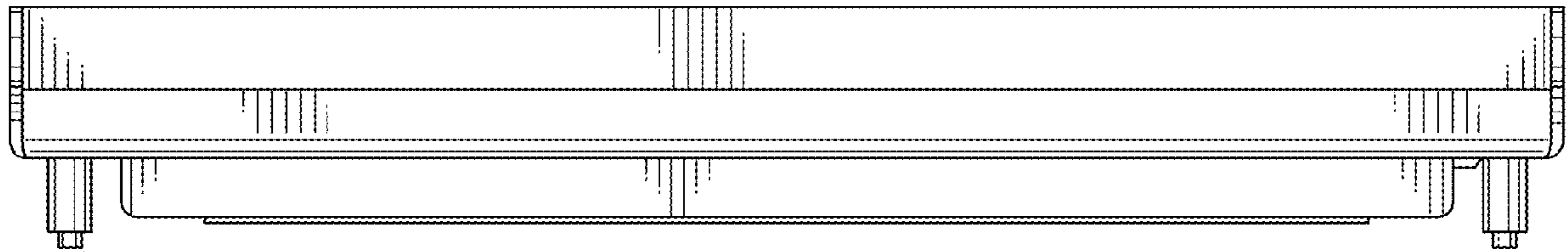
**FIG. 1**



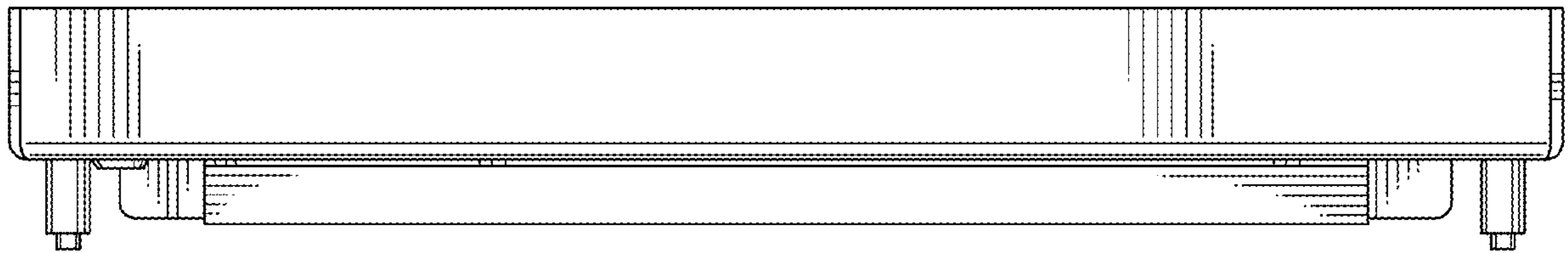
**FIG. 2**



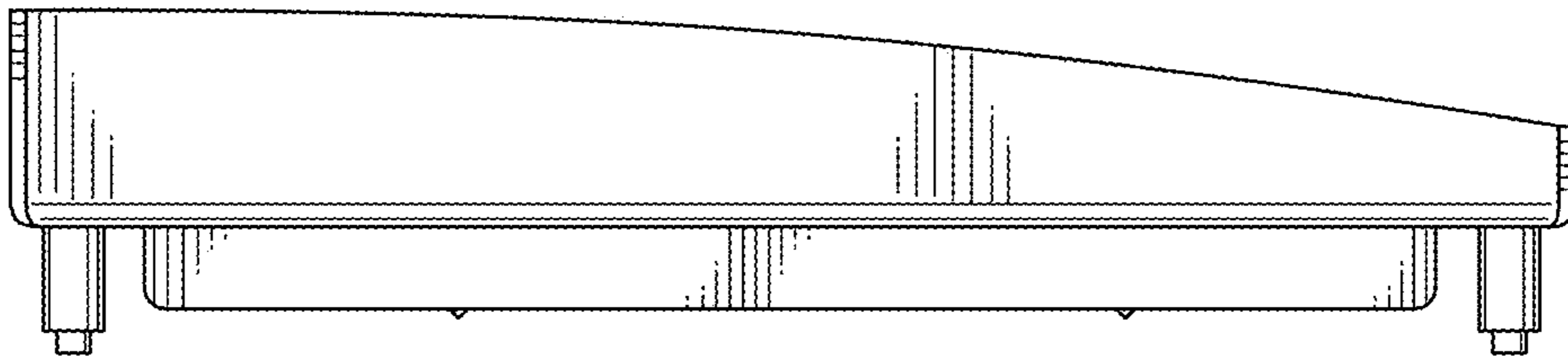
**FIG. 3**



**FIG. 4**

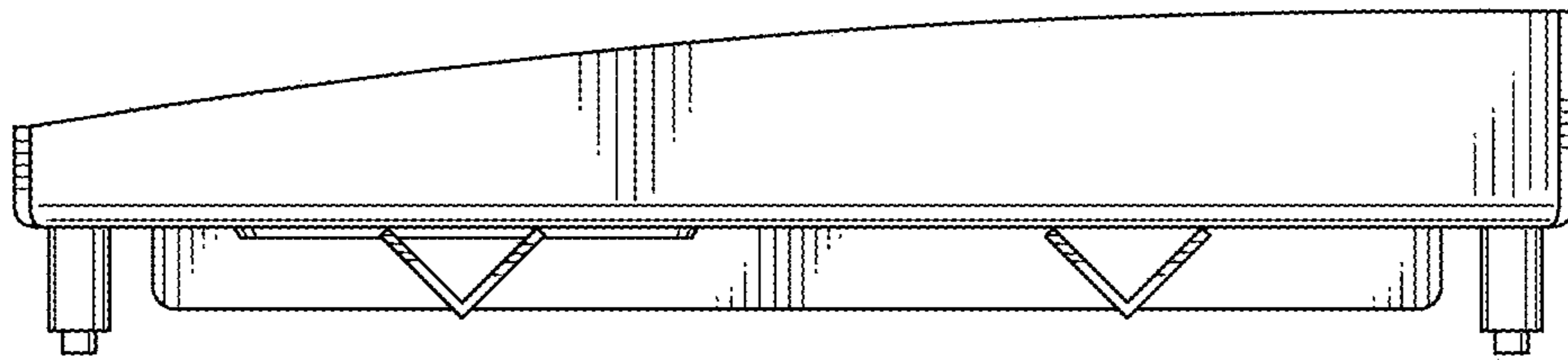


**FIG. 5**



**FIG. 6**





**FIG. 7**