



US00D968873S

(12) **United States Design Patent**
Yu et al.

(10) **Patent No.: US D968,873 S**
(45) **Date of Patent: ** Nov. 8, 2022**

- (54) **PELLET OVEN**
- (71) Applicant: **H&Z INTERNATIONAL TRADING CORP.**, Brooklyn, NY (US)
- (72) Inventors: **Puyu Yu**, Foshan (CN); **Zhipeng Huang**, Foshan (CN)
- (*) Notice: Patent file contains an affidavit/declaration under 37 CFR 1.130(b).
- (**) Term: **15 Years**
- (21) Appl. No.: **29/746,813**
- (22) Filed: **Aug. 18, 2020**
- (51) **LOC (13) Cl. 07-02**
- (52) **U.S. Cl.**
USPC **D7/339**; D7/332; D7/348
- (58) **Field of Classification Search**
USPC D7/332-338, 407-409, 417, 339, 348, D7/350.1; 126/25 R, 9 R, 29; D23/332, D23/343, 348, 342
CPC A47J 37/0763; A47J 37/0786; A47J 37/0704; A47J 2037/0777; A47J 37/0694; A47J 33/00; A47J 37/0658; A47J 37/0623; F24B 1/205; F24C 1/16; F24C 3/14
See application file for complete search history.

- 10,827,878 B2 * 11/2020 Baker A47J 37/0658
- D909,551 S * 2/2021 Wu D23/342
- D925,962 S * 7/2021 Tapaninaho D7/332
- D929,170 S * 8/2021 Wu D7/348
- 2015/0164278 A1 * 6/2015 Kohler A47J 37/0704
99/340

(Continued)

FOREIGN PATENT DOCUMENTS

GB 6059882 * 5/2019

OTHER PUBLICATIONS

Andmakers, GYBER Fremont Stainless Steel Portable, Jun. 30, 2020, Amazon, <https://www.amazon.com/andmakers-Fremont-Flavored-Portable-Stainless-Steel/dp/B089GPSBT3> (Year: 2020).*

Primary Examiner — Brett Miller

(57) **CLAIM**

The ornamental design for a pellet oven, as shown and described.

DESCRIPTION

FIG. 1 is a front and top perspective view of a pellet oven, showing our new design;
 FIG. 2 is a rear and bottom perspective view thereof;
 FIG. 3 is a front elevational view thereof;
 FIG. 4 is a rear elevational view thereof;
 FIG. 5 is a left side elevational view thereof;
 FIG. 6 is a right side elevational view thereof;
 FIG. 7 is a top plan view thereof;
 FIG. 8 is a bottom plan view thereof; and,
 FIG. 9 is an enlarged, view of a portion labeled, 'FIG. 9' in FIG. 1.
 The dashed broken lines in the figures illustrate portions of the article that form no part of the claimed design. The dash dot dash lines in FIGS. 1 and 9 are for the purpose of depicting the cut line of the enlarged view and form no part of the claim.

1 Claim, 9 Drawing Sheets

(56) **References Cited**

U.S. PATENT DOCUMENTS

- 3,087,414 A * 4/1963 Gannon F24B 1/202
99/393
- D280,967 S * 10/1985 Wrighton D7/339
- D642,855 S * 8/2011 de Paula D7/333
- D693,166 S * 11/2013 Measom D7/350.1
- D775,489 S * 1/2017 Zemel D7/332
- D845,055 S * 4/2019 Goodwin D7/323
- D845,695 S * 4/2019 Wu D7/334
- D849,908 S * 5/2019 Wu D23/343
- D853,774 S * 7/2019 Tapaninaho D7/339
- D862,969 S * 10/2019 Tapaninaho D7/339
- D887,767 S * 6/2020 Huang D7/323

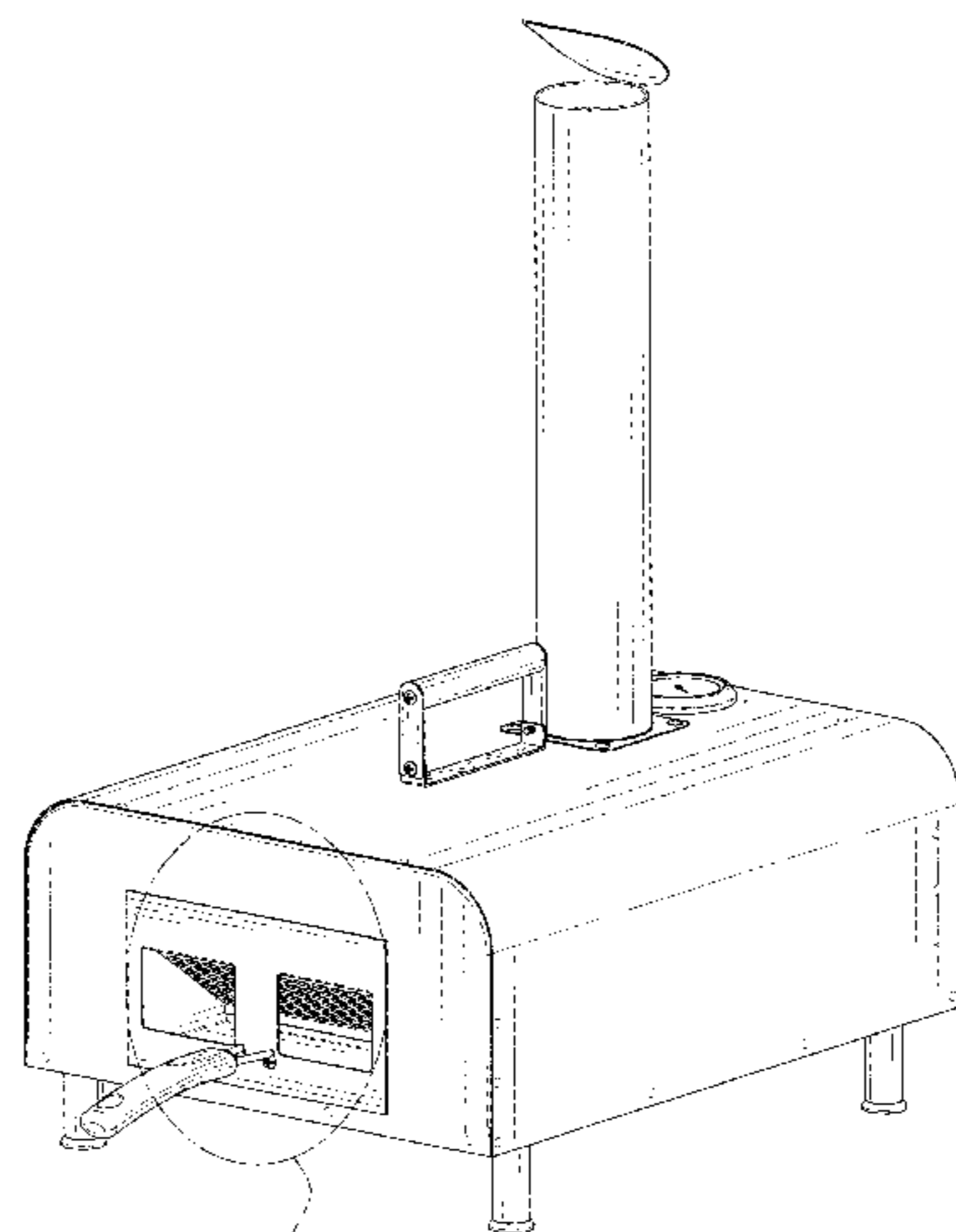


FIG. 9

(56)

References Cited

U.S. PATENT DOCUMENTS

2018/0213973 A1* 8/2018 Tapaninaho A47J 37/0763
2021/0121016 A1* 4/2021 Stitt A47J 37/0704
2021/0392904 A1* 12/2021 Raio A47J 37/0658

* cited by examiner

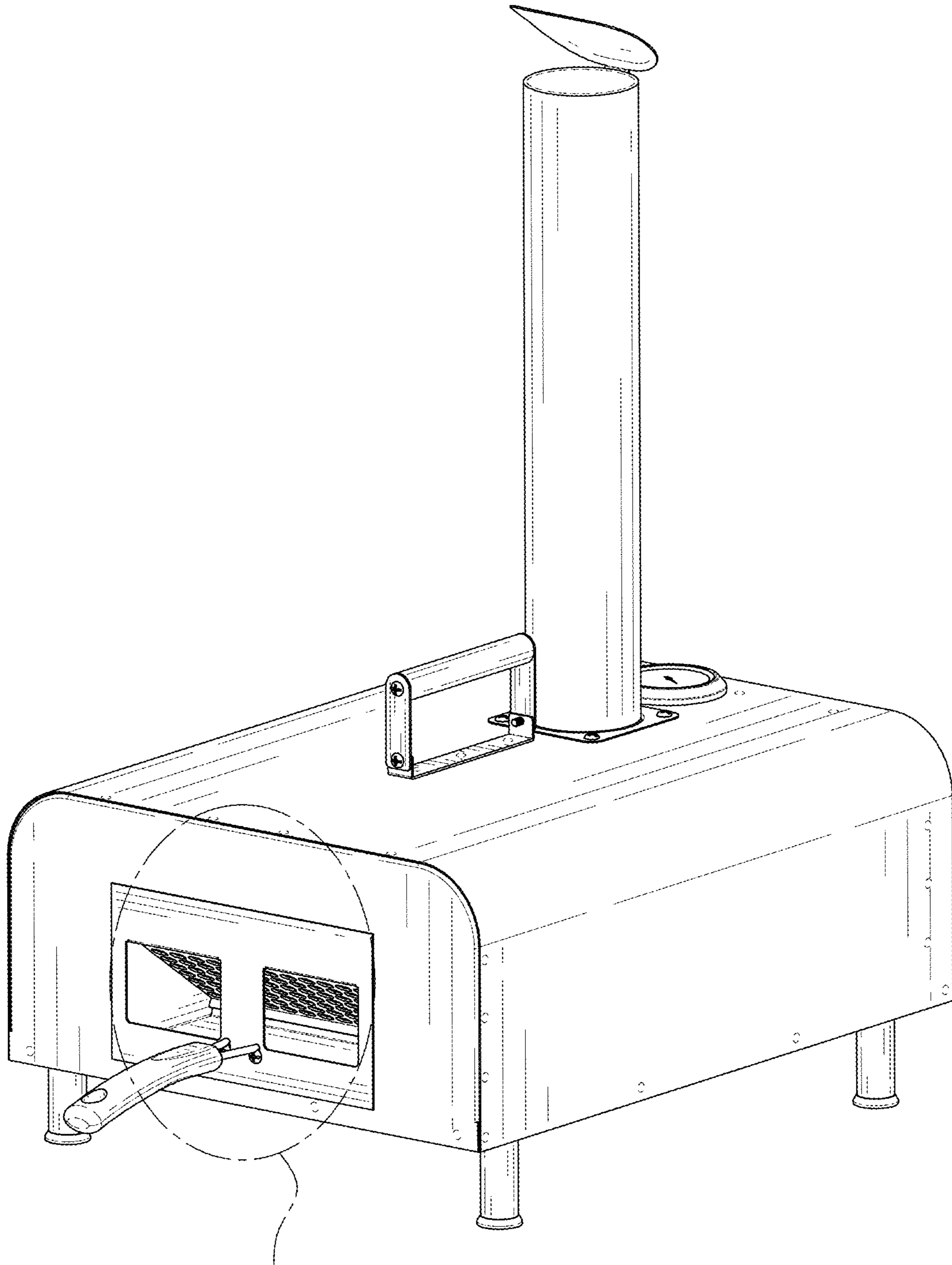


FIG. 9

FIG. 1

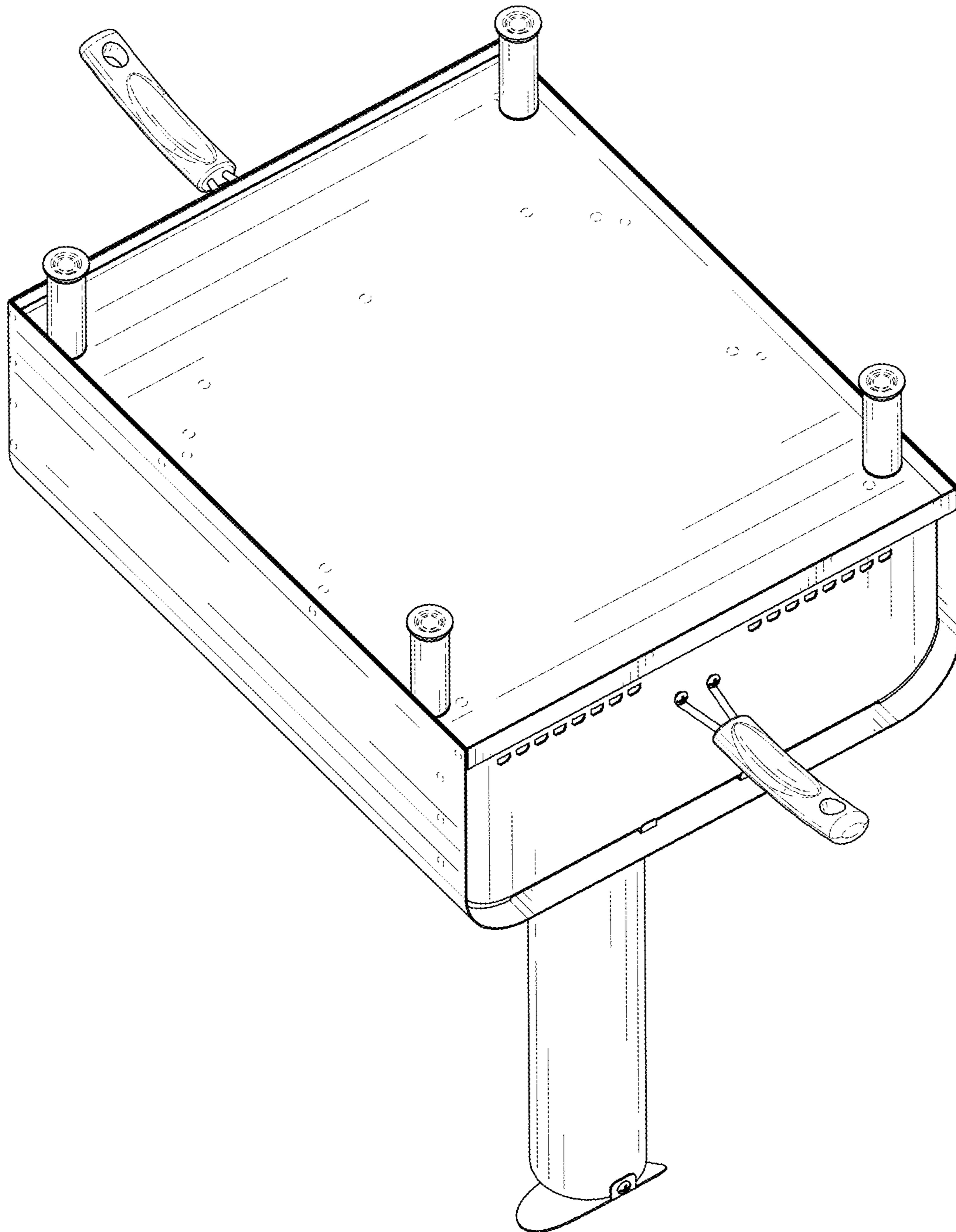


FIG. 2

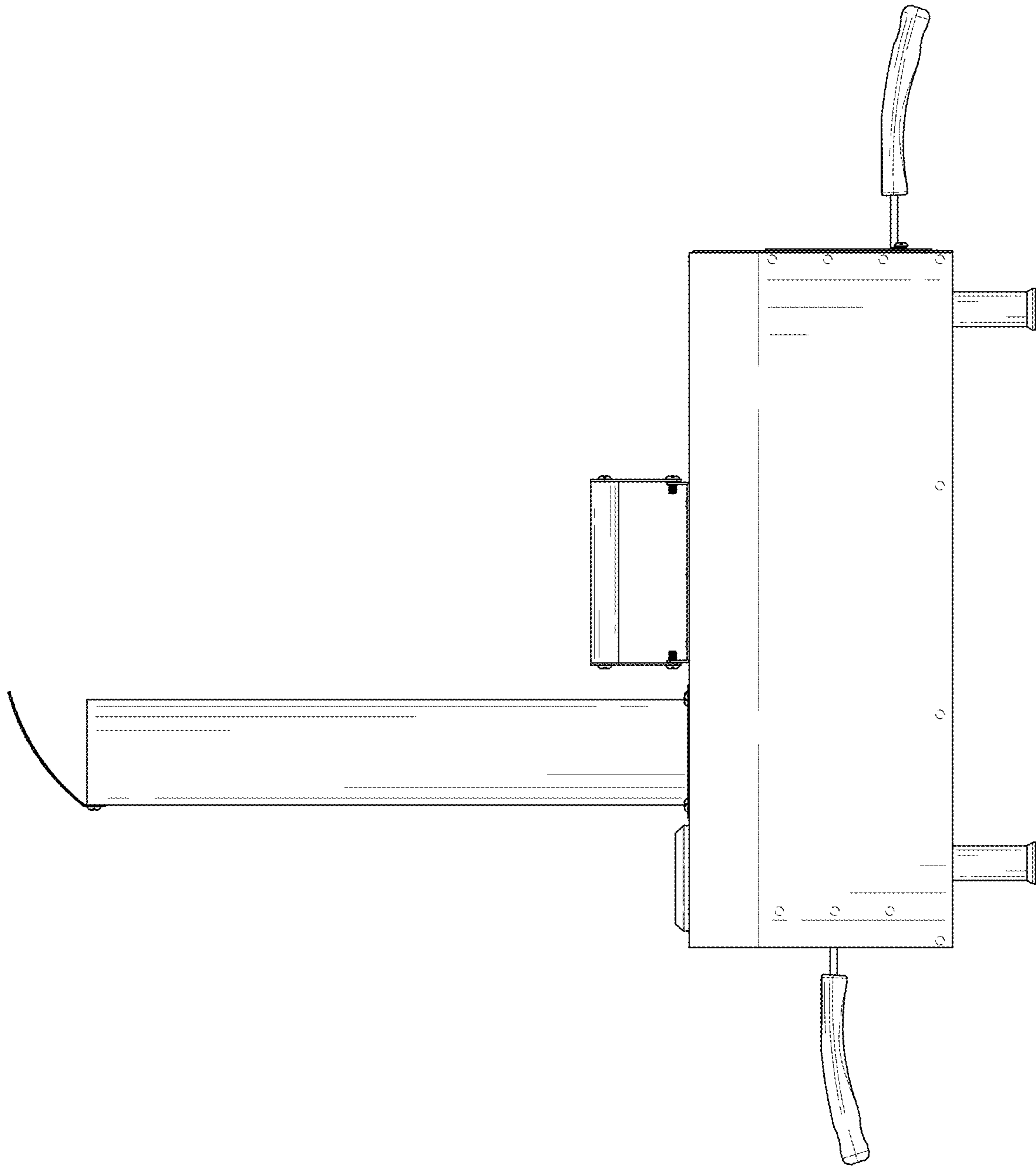


FIG. 3

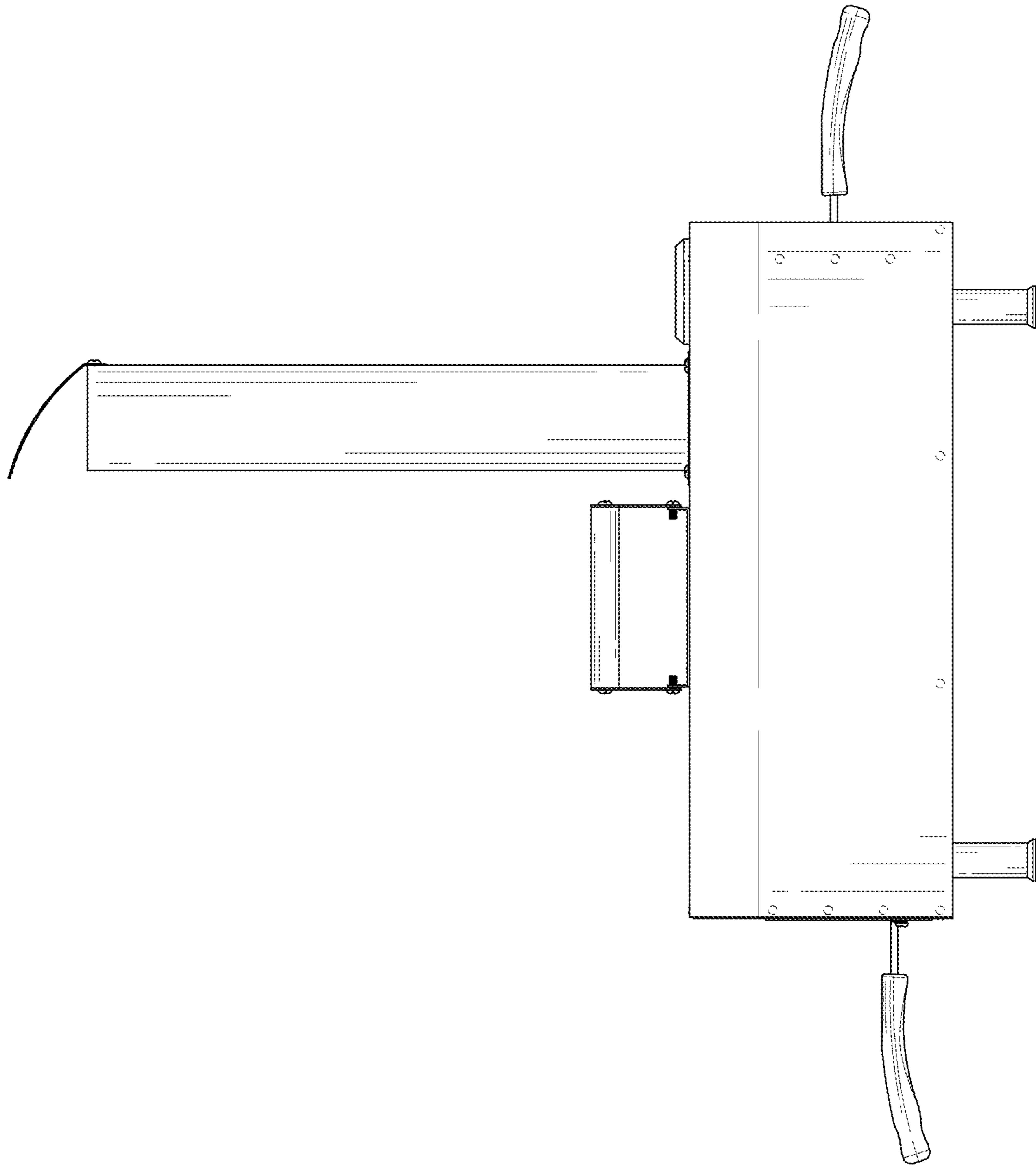


FIG. 4

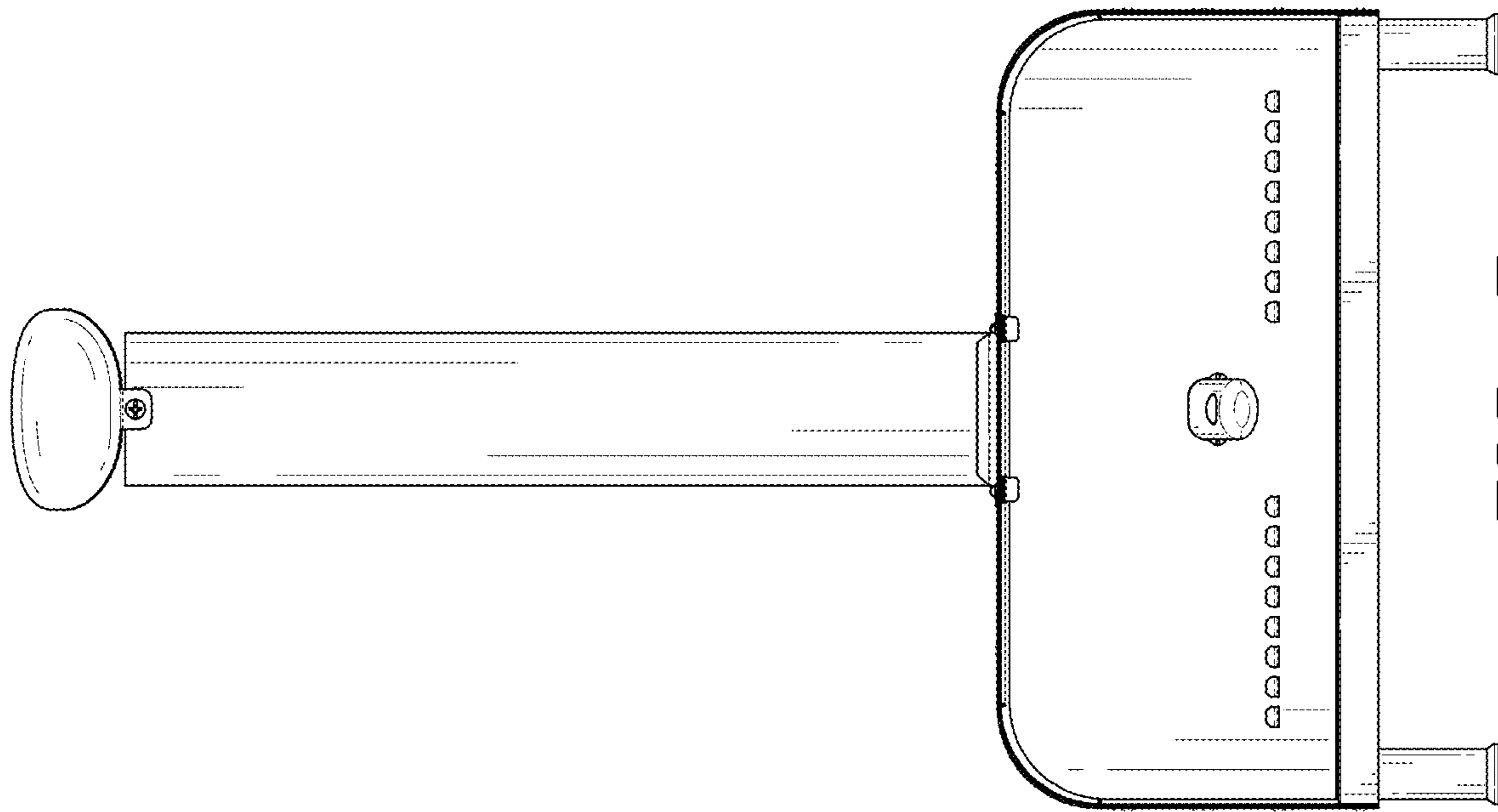


FIG. 5

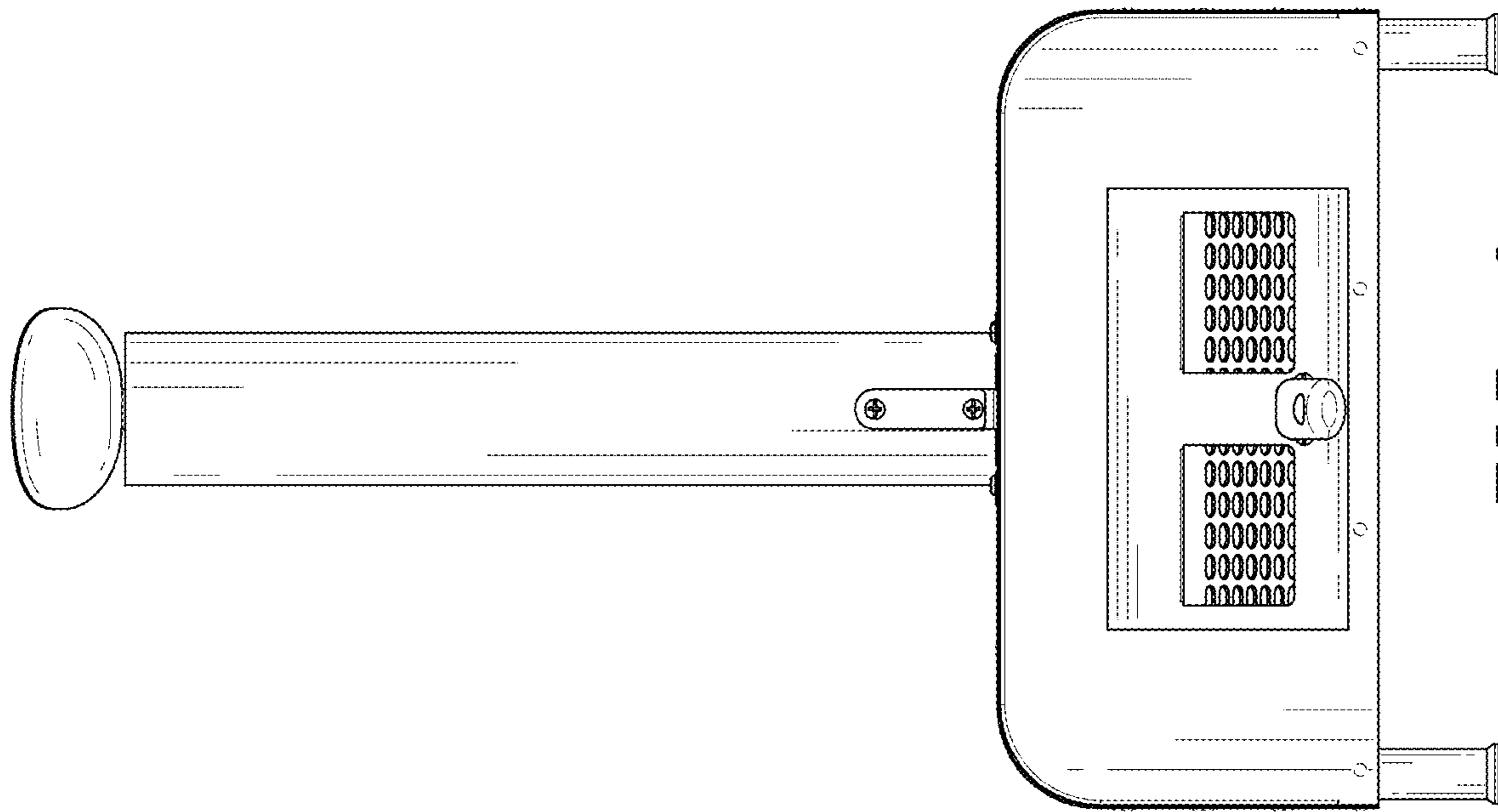


FIG. 6

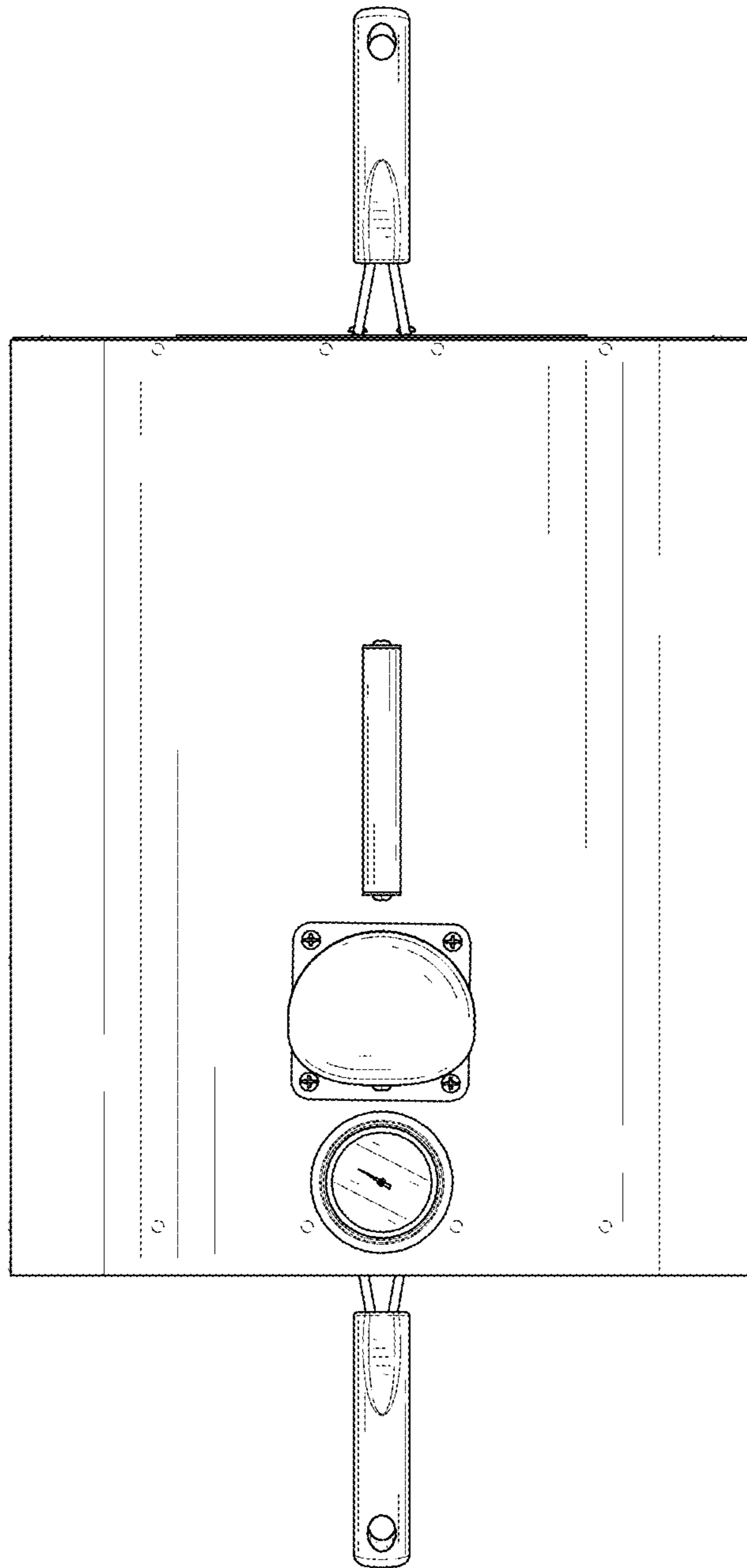


FIG. 7

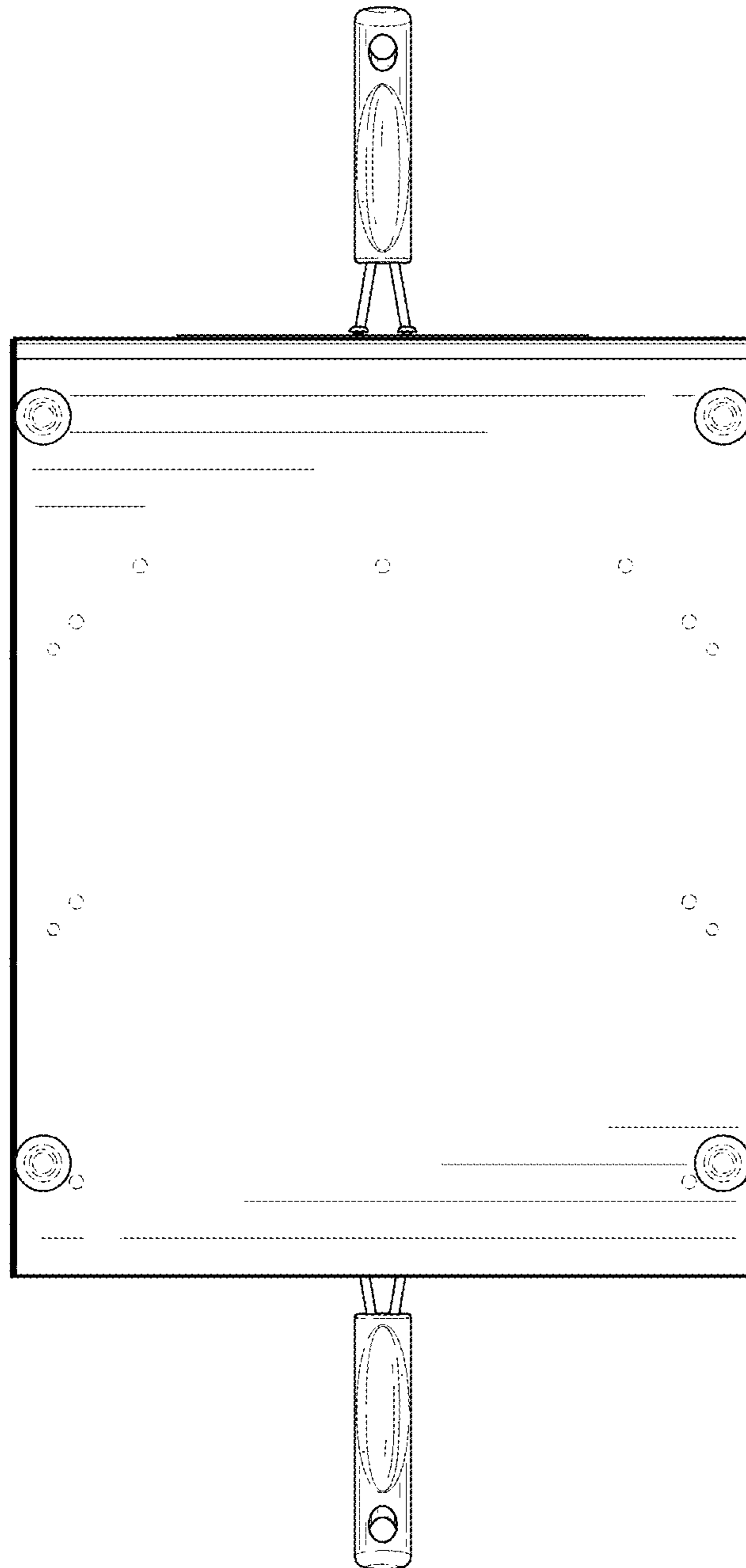


FIG. 8

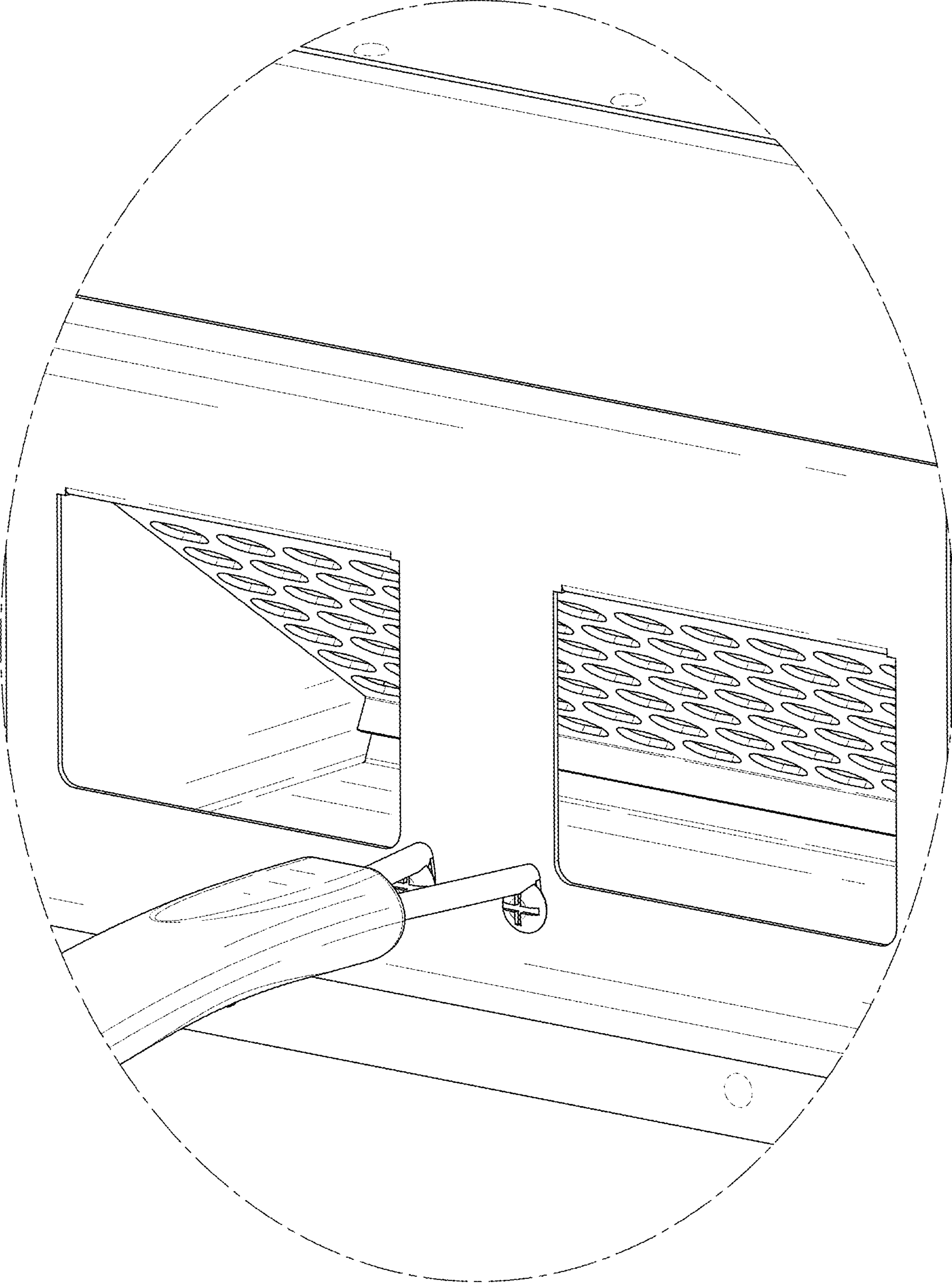


FIG. 9