



US00D968872S

(12) **United States Design Patent**
Springer

(10) **Patent No.:** **US D968,872 S**
(45) **Date of Patent:** **** Nov. 8, 2022**

(54) **COMBINATION GRILL**

FOREIGN PATENT DOCUMENTS

(71) Applicant: **Walmart Apollo, LLC**, Bentonville, AR (US)

CN 207803377 U * 8/2017 A23L 3/3409
DE 202017105189 9/2017
GB 9004005239-0005 5/2017

(72) Inventor: **Zachary Springer**, Bentonville, AR (US)

OTHER PUBLICATIONS

(73) Assignee: **Walmart Apollo, LLC**, Bentonville, AR (US)

Design No. 305786550, May 19, 2020—China National Intellectual Property Administration Publication Date—May 19, 2020 Owner—Wang Maoxian WIPO, available at <https://www3.wipo.int/designdb/en/index.jsp> (Year: 2020).*

(**) Term: **15 Years**

(Continued)

(21) Appl. No.: **29/749,475**

Primary Examiner — Mary Ann Calabrese

(22) Filed: **Sep. 4, 2020**

Assistant Examiner — Natalya M Rapundalo

(51) **LOC (13) Cl.** **07-02**

(74) *Attorney, Agent, or Firm* — Patterson Thuent Pedersen, P.A.

(52) **U.S. Cl.**

(57) **CLAIM**

USPC **D7/334**

I claim the ornamental design for a combination grill, as shown and described.

(58) **Field of Classification Search**

DESCRIPTION

USPC D7/323, 332–339, 347, 387, 402–406, D7/409; D21/523, 524

CPC A47J 37/06; A47J 37/0605; A47J 37/0623; A47J 37/0647; A47J 37/07; A47J 37/0704; A47J 37/0709; A47J 37/0713; A47J 37/0718; A47J 37/0727; A47J 37/0731; A47J 37/074; A47J 37/0745; A47J 37/075; A47J 37/0754; A47J 37/0763

See application file for complete search history.

FIG. 1 is a front perspective view of a combination grill.

FIG. 2 is a front elevational view of the combination grill depicted in FIG. 1.

FIG. 3 is a rear elevational view of the combination grill depicted in FIG. 1.

FIG. 4 is a top plan view of the combination grill depicted in FIG. 1.

FIG. 5 is a bottom plan view of the combination grill depicted in FIG. 1.

FIG. 6 is a left side elevational view of the combination grill depicted in FIG. 1; and,

FIG. 7 is a right side elevational view of the combination grill depicted in FIG. 1.

The broken lines in the drawings illustrate portions of the combination grill that form no part of the claimed design.

The patterned grip portions of the central handles are shown in broken lines and form no part of the claimed design.

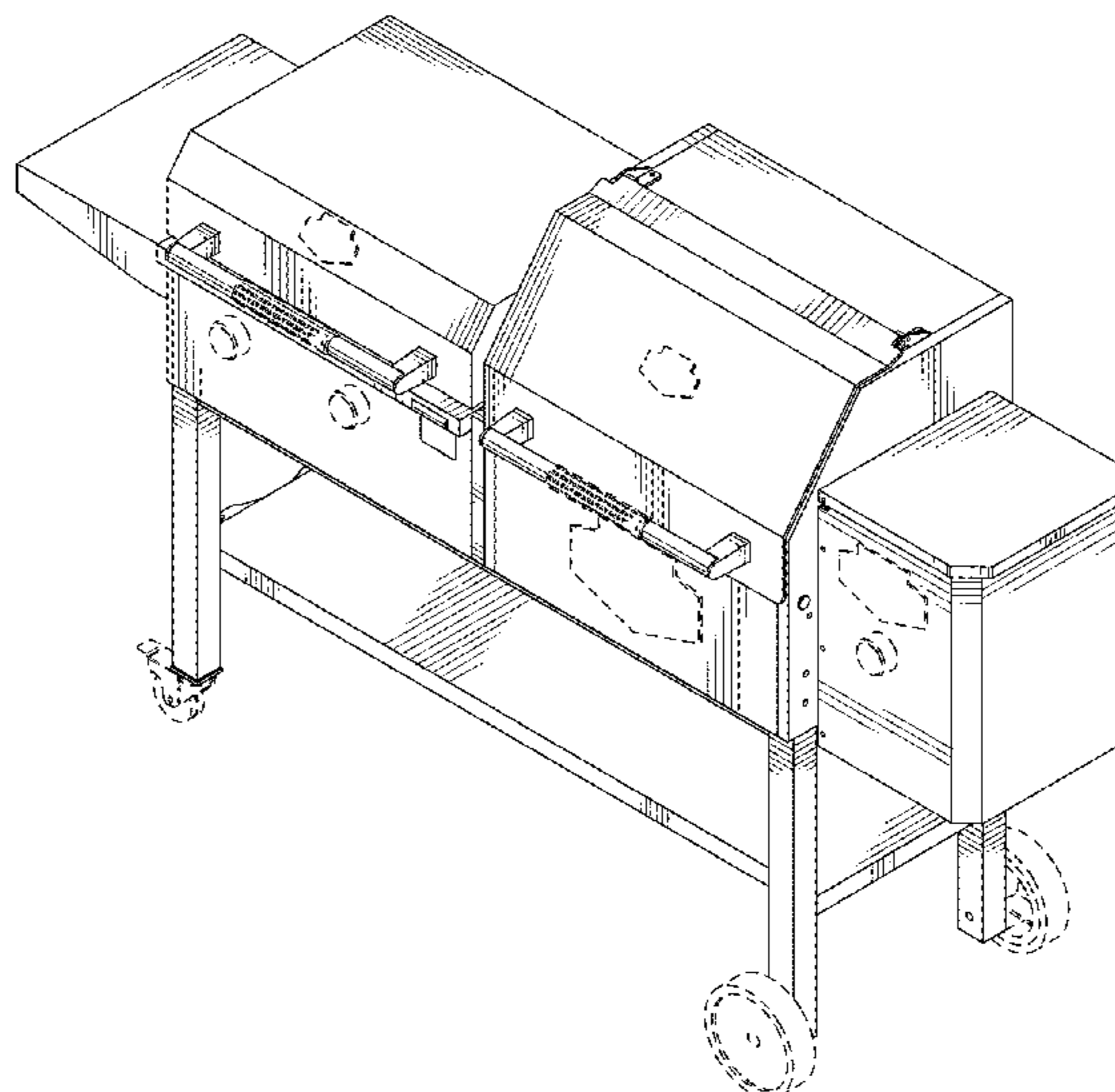
(56) **References Cited**

U.S. PATENT DOCUMENTS

D218,352 S 8/1970 Hoch
3,837,329 A 9/1974 Mutchler
D253,627 S 12/1979 Adamson
4,823,684 A 4/1989 Traeger
D302,703 S 8/1989 Foran
D348,284 S 6/1994 Thorud
D348,694 S 7/1994 Evenson

(Continued)

1 Claim, 7 Drawing Sheets



(56)

References Cited

U.S. PATENT DOCUMENTS

D420,851	S	2/2000	Wagner	
6,203,834	B1	3/2001	Anders	
D465,693	S *	11/2002	Coleman	D7/334
D489,221	S	5/2004	Pai	
D503,067	S	3/2005	Lubowicki	
7,066,169	B2	6/2006	Feldewerth	
D536,918	S *	2/2007	Wood	D7/334
7,228,792	B2	6/2007	Crawford	
D546,116	S *	7/2007	Tseng	D7/334
D560,415	S	1/2008	Wood et al.	
D584,562	S *	1/2009	Chau	F24C 1/16 D7/334
D613,117	S	4/2010	Richburg	
D614,915	S	5/2010	Schnitman	
D655,989	S	3/2012	Nelms	
D657,183	S	4/2012	May	
D671,788	S *	12/2012	Slater	D7/334
D679,331	S	4/2013	Stravitz	
D680,797	S	4/2013	Chung	
D683,177	S *	5/2013	Brennan	D7/334
D694,056	S	11/2013	Dahle	
D732,874	S *	6/2015	Chung	D7/334
D736,026	S *	8/2015	Kam	D7/334
D737,627	S *	9/2015	Goldenstein	D7/402
D741,105	S	10/2015	Ryan	
D745,802	S	12/2015	Yao	
9,357,879	B2	6/2016	Ortner	
9,814,354	B2	11/2017	McAdams	
D805,343	S *	12/2017	Magee	D7/334
D833,207	S	11/2018	Zemel	
10,213,051	B2 *	2/2019	Colston	F24C 1/16
D857,439	S	8/2019	Chung	
D869,894	S *	12/2019	Nicoll	D7/332
D896,561	S	9/2020	Measom et al.	
D901,244	S *	11/2020	Baker	D7/402
D915,120	S *	4/2021	Bennion	D7/334
D921,413	S *	6/2021	Fitzpatrick	A47J 37/0704 D7/334
D926,510	S	8/2021	Chung	
D927,917	S *	8/2021	Yueh	A23B 4/052 D7/334
D927,918	S	8/2021	Dahle et al.	
D934,611	S	11/2021	Dahle et al.	
D940,496	S	1/2022	Wang	
2005/0034716	A1	2/2005	Harbin	
2007/0277800	A1	12/2007	Chiang	
2009/0025705	A1	1/2009	Hatjopoulos	
2009/0235918	A1	9/2009	Espina	
2017/0164783	A1	6/2017	Sauerwein et al.	
2017/0332838	A1	11/2017	Dahle	
2018/0368618	A1 *	12/2018	Measom	A23B 4/052
2019/0256338	A1 *	8/2019	Moss	A47J 37/0704
2021/0244233	A1	8/2021	Bush	
2021/0315416	A1	10/2021	Fullmer et al.	
2022/0022688	A1	1/2022	Barajas, Jr.	
2022/0071444	A1	3/2022	Springer	
2022/0071445	A1	3/2022	Springer	

OTHER PUBLICATIONS

Expert Grill Concord 3-In-1 Pellet Grill, Smoker, and Propane Gas Griddle, Walmart, [online], [site visited Oct. 6, 2021], Available from internet URL: <https://www.walmart.com/ip/Expert-Grill-Concord-3-In-1-Pellet-Grill-Smoker-and-Propane-Gas-Griddle/505997762> (Year: 2021).*

Dyna-Glo 4-Burner Propane Gas Grill in Stainless Steel with Griddle-DGX440SGP, Home Depot [online], [site visited Nov. 11, 2021], Available from internet URL: <https://www.homedepot.com/p/Dyna-Glo-4-Burner-Propane-Gas-Grill-in-Stainless-Steel-with-Griddle-DGX440SGP/310506606> (Year: 2021).*

Application and File History for U.S. Appl. No. 29/749,463, filed Sep. 4, 2020, Inventor: Zachary Springer.

Application and File History for U.S. Appl. No. 29/749,468, filed Sep. 4, 2020, Inventor: Zachary Springer.

Application and File History for U.S. Appl. No. 29/749,472, filed Sep. 4, 2020, Inventor: Zachary Springer.

Application and File History for U.S. Appl. No. 29/749,461, filed Sep. 4, 2020, Inventor: Zachary Springer.

eQuipped GR24-T 24" Gas Griddle—Thermostatic, 3/4" Steel Plate, Natural Gas, dated Sep. 19, 2019, 5 pages.

Blaze Outdoor Products, Blaze 30-Inch Built-In Gas Griddle Lite, dated Sep. 19, 2019, 3 pages.

Amazon.com, Cuisinart GR-55 Griddler Stainless Steel Nonstick Grill/Griddle Combo, dated Sep. 19, 2019, 8 pages.

The Spruce Eats, Weber Genesis II E-210 Propane Grill Review, dated Sep. 19, 2019, 17 pages.

Walmart.com, George Foreman Dual Surface Griddle and Grill, GFG240X, dated Sep. 18, 2019, 17 pages.

The GMG Difference: How A Pellet Grill Works, dated Sep. 23, 2019, 10 pages.

Oster Titanium Infused DuraCeramic Reversible Grill/Griddle, Black, dated Sep. 20, 2019, 9 pages.

Walmart.com, Pit Boss Platinum KC Combo, WiFi and Bluetooth Wood Pellet and Gas Grill, <https://www.walmart.com/ip/Pit-Boss-KC-Combo-Platinum-Series-Wood-Pellet-Grill-and-Smoker-w-Gas-Grill-and-Griddle/716604652?wmlspartner=wlp&selectedSellerId=0&w13=&adid=2222222227325778989&w10=&w11=g&w12=c&w13=408300245413&w14=aud-430887228898:pla-854030077418&w15=9026058&w16=8w17=8w18=&w19=pla8w10=8175035&w11=local&w12=716604652&veh=sem>, available prior to Sept. 4, 2020, 31 pages.

Lowe's, "Blackstone 3-Burner Natural Gas or Liquid Propane Flat Top Grill," Retrieved from internet URL: <https://www.lowes.com/pd/Blackstone-Culinary-3-Burner-30-In-with-Hood/1003254674>, site visited on Nov. 11, 2021, 6 pages.

Walmart, "Expert Grill Commodore Pellet Grill and Smoker," Retrieved from Internet URL: <https://www.walmart.com/ip/Expert-Grill-Cornrodore-Pellet-Grill-and-Smoker/675237961>, retrieved on Oct. 6, 2021, 12 pages.

Walmart, "Expert Grill Pioneer 28-Inch Portable Propane Gas Griddle," Retrieved from Internet URL: <https://www.walmart.com/ip/Expert-Grill-Pioneer-28-Inch-Portable-Propane-Gas-Griddle/768889699?athbdg=L1300>, Retrieved on Oct. 6, 2021, 10 pages.

Cuisinart Grill with Removable Plate, posted at Amazon.co.uk. on Aug. 28, 2020, [site visited Mar. 22, 2022]. Available from internet, URL: <https://www.amazon.co.uk/Cuisinart-Collection-Entertaining-Temperature-PL60U/dp/B08GYH-GJQ6/> (Year: 2020).

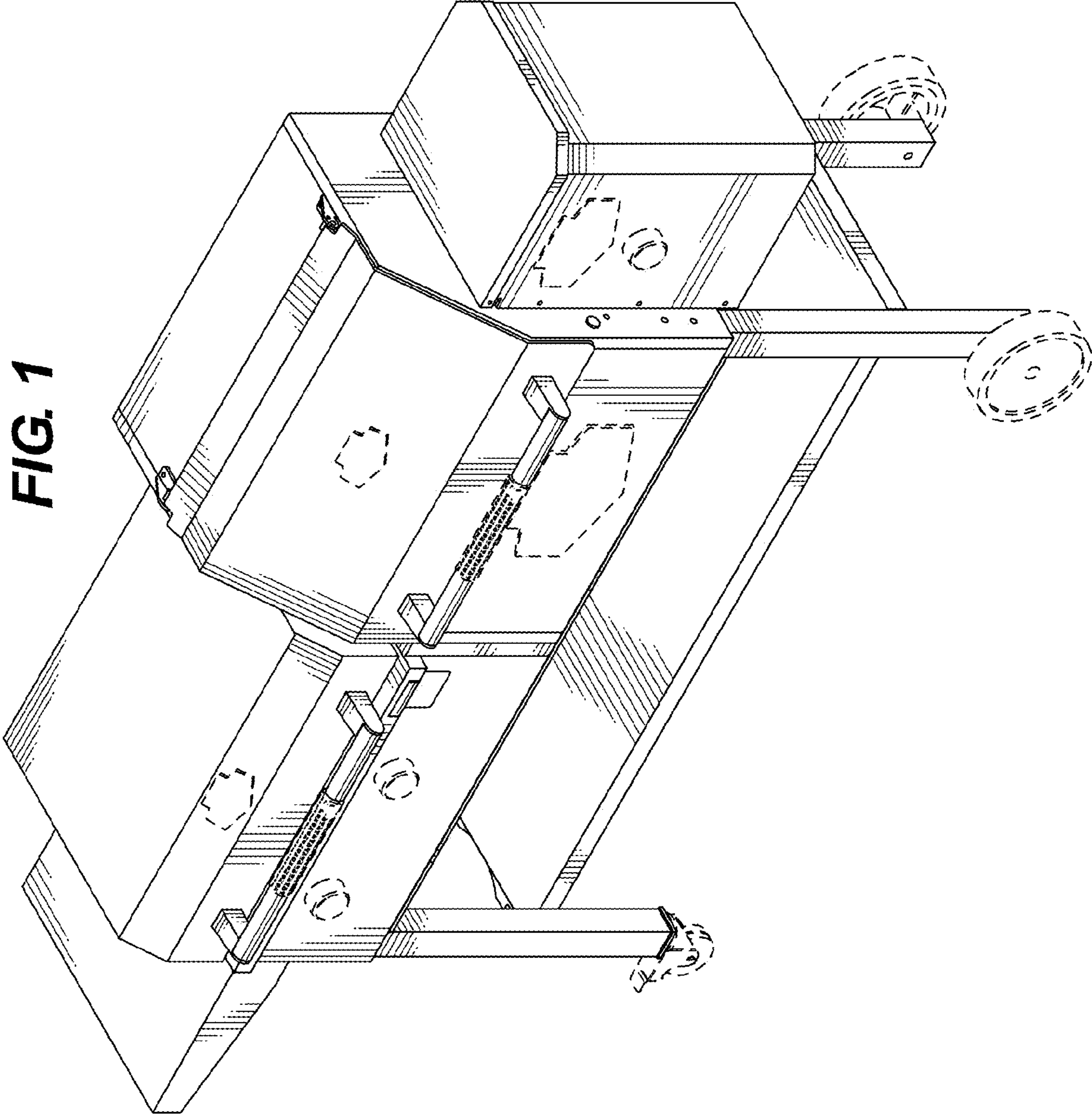
Cam Plux Gas Griddle, posted at Amazon.com on Sep. 18, 2020, [site visited Mar. 22, 2022]. Available from internet, URL: <https://www.amazon.com/CAMPLUX-ENJOY-OUTDOOR-LIFE-GG302S/dp/B08JGJZHPF/> (Year: 2020).

Expert Grill Atlas Pellet Grill and Smoker, Walmart [online], [site visited Oct. 6, 2021], Available from internet URI: <https://www.walmart.com/ip/Expert-Grill-Atlas-Pellet-Grill-and-Smoker/808216815> (Year: 2021).

Campingaz Cooking Plate, posted at Amazon.co.uk. on Jan. 15, 2018, [site visited Mar. 22, 2022]. Available from internet, URL: <https://www.amazon.co.uk/dp/B078YKZMYQ/> (Year: 2018).

* cited by examiner

FIG. 1



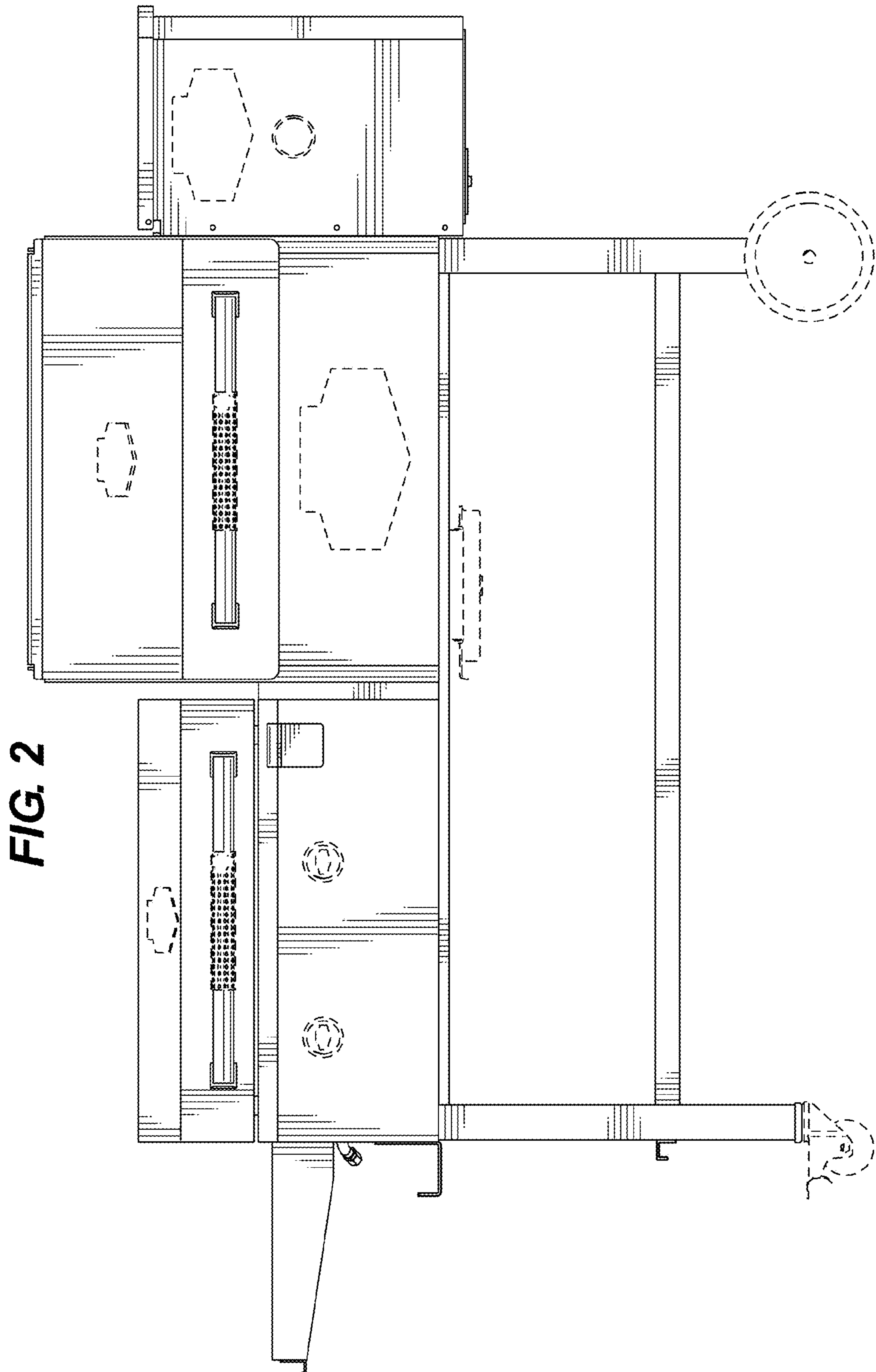
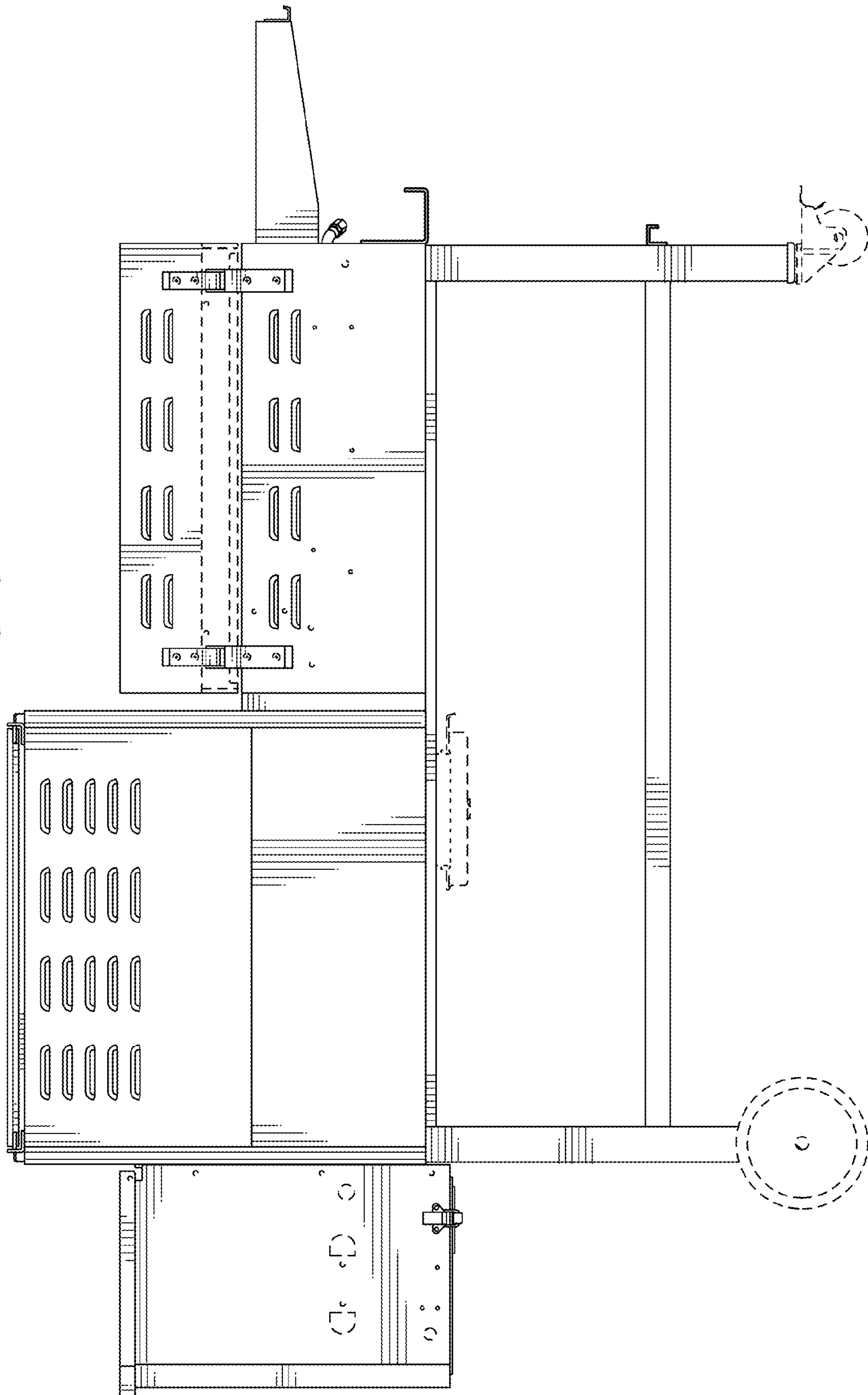


FIG. 2

FIG. 3



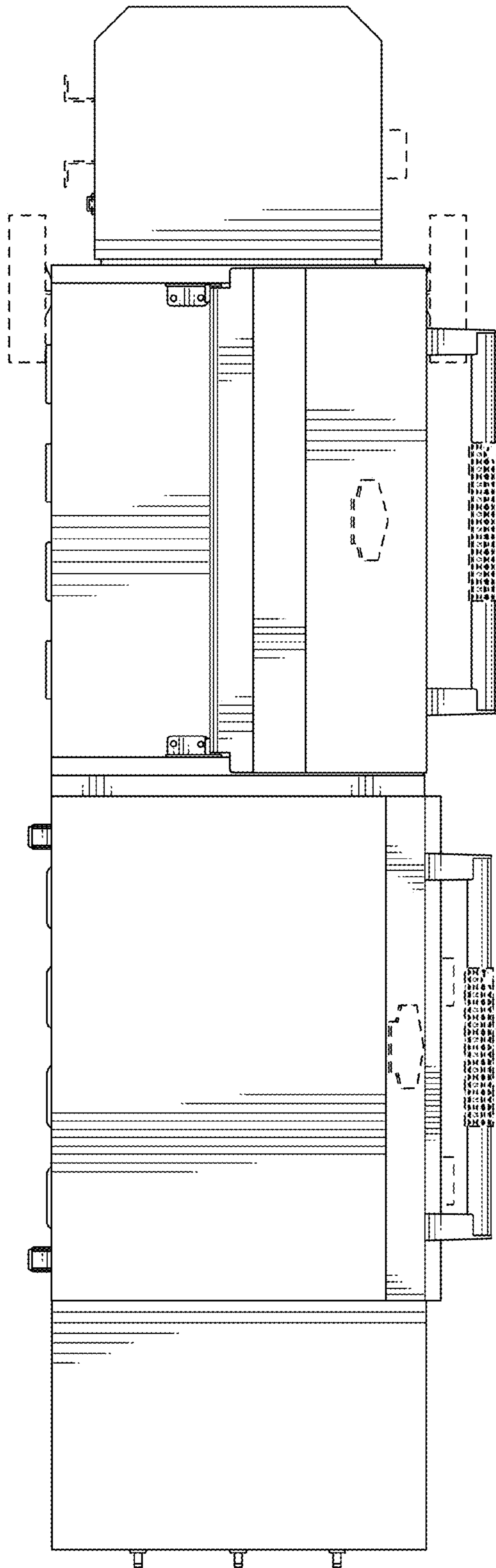


FIG. 4

FIG. 5

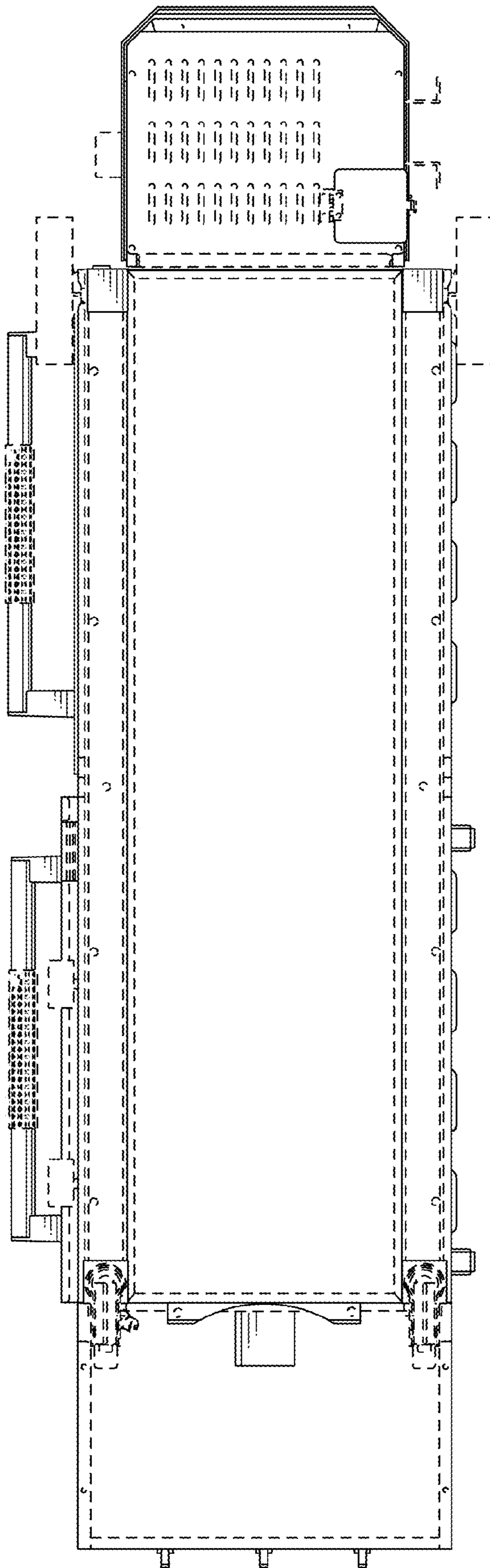


FIG. 6

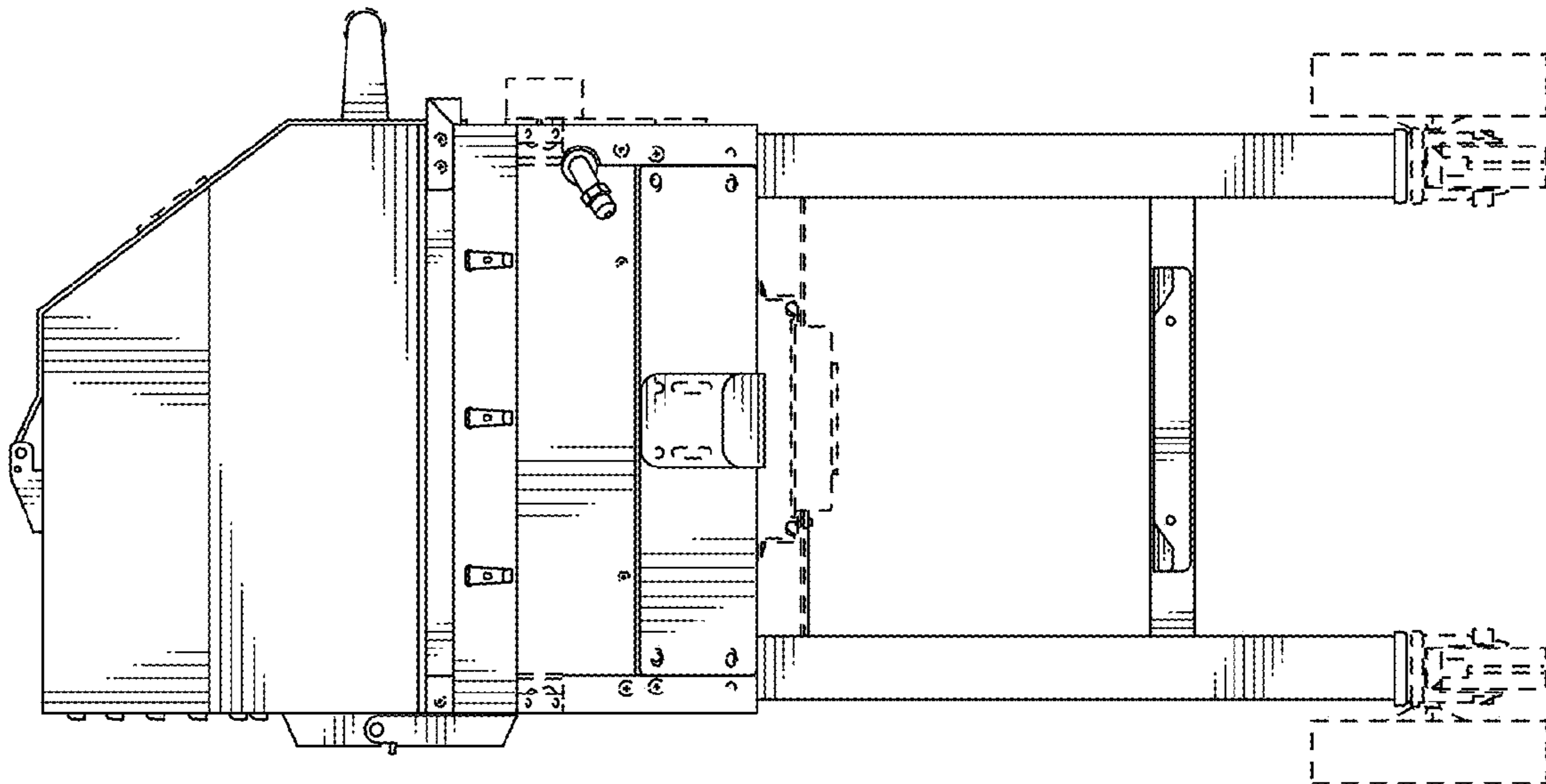


FIG. 7

