



US00D968871S

(12) **United States Design Patent** (10) **Patent No.:** **US D968,871 S**  
**Springer** (45) **Date of Patent:** **\*\* Nov. 8, 2022**

(54) **PELLET GRILL**

FOREIGN PATENT DOCUMENTS

(71) Applicant: **Walmart Apollo, LLC**, Bentonville, AR (US)

CN 207803377 U \* 8/2017 ..... A23L 3/3409  
DE 202017105189 9/2017  
GB 9004005239-0005 5/2017

(72) Inventor: **Zachary Springer**, Bentonville, AR (US)

OTHER PUBLICATIONS

(73) Assignee: **Walmart Apollo, LLC**, Bentonville, AR (US)

Design No. 305786550, May 19, 2020—China National Intellectual Property Administration Publication Date—May 19, 2020 Owner—Wang Maoxian WIPO, available at <https://www3.wipo.int/designdb/en/index.jsp> (Year: 2020).\*

(\*\*) Term: **15 Years**

(Continued)

(21) Appl. No.: **29/749,472**

*Primary Examiner* — Mary Ann Calabrese  
*Assistant Examiner* — Natalya M Rapundalo  
(74) *Attorney, Agent, or Firm* — Patterson Thuente Pedersen, P.A.

(22) Filed: **Sep. 4, 2020**

(51) **LOC (13) Cl.** ..... **07-02**

(52) **U.S. Cl.**

USPC ..... **D7/334**

(58) **Field of Classification Search**

USPC ..... D7/323, 332–339, 347, 387, 402–406, D7/409; D21/523, 524

CPC .... A47J 37/06; A47J 37/0605; A47J 37/0623; A47J 37/0647; A47J 37/07; A47J 37/0704; A47J 37/0709; A47J 37/0713; A47J 37/0718; A47J 37/0727; A47J 37/0731; A47J 37/074; A47J 37/0745; A47J 37/075; A47J 37/0754; A47J 37/0763

See application file for complete search history.

(57) **CLAIM**

I claim the ornamental design for a pellet grill, as shown and described.

**DESCRIPTION**

FIG. 1 is a front perspective view of a pellet grill.  
FIG. 2 is a front elevational view of the pellet grill depicted in FIG. 1.  
FIG. 3 is a rear elevational view of the pellet grill depicted in FIG. 1.  
FIG. 4 is a top plan view of the pellet grill depicted in FIG. 1.  
FIG. 5 is a bottom plan view of the pellet grill depicted in FIG. 1.  
FIG. 6 is a left side elevational view of the pellet grill depicted in FIG. 1; and  
FIG. 7 is a right side elevational view of the pellet grill depicted in FIG. 1.  
The broken lines in the drawings illustrate portions of the pellet grill that form no part of the claimed design. The patterned grip portion of the central handle is shown in broken lines and forms no part of the claimed design.

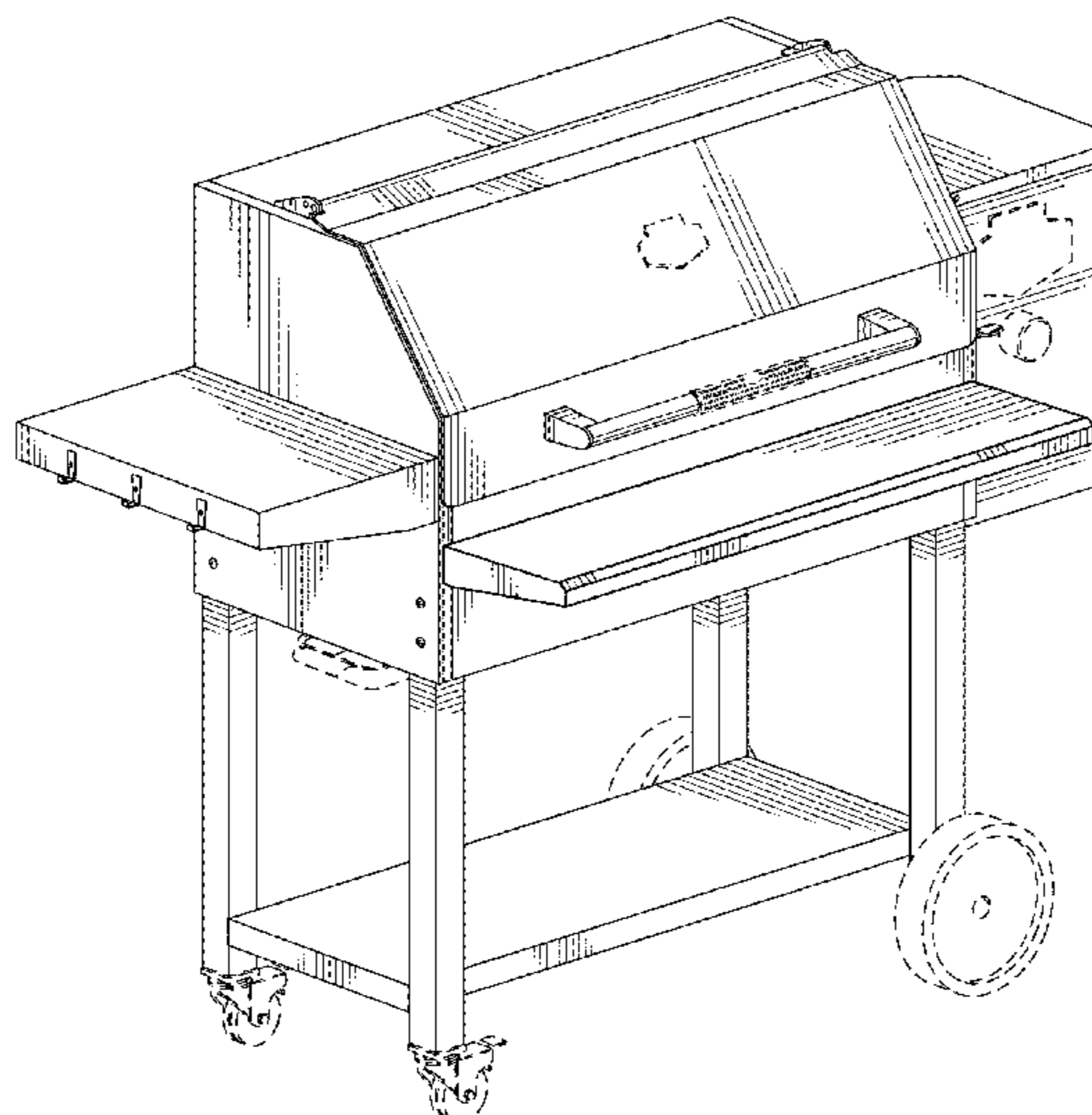
(56) **References Cited**

U.S. PATENT DOCUMENTS

D218,352 S 8/1970 Hoch  
3,837,329 A 9/1974 Mutchler  
D253,627 S 12/1979 Adamson  
4,823,684 A 4/1989 Traeger  
D302,703 S 8/1989 Foran  
D348,284 S 6/1994 Thorud  
D348,694 S 7/1994 Evenson  
D420,851 S 2/2000 Wagner

(Continued)

**1 Claim, 7 Drawing Sheets**



(56)

References Cited

U.S. PATENT DOCUMENTS

6,203,834	B1	3/2001	Anders	
D465,693	S *	11/2002	Coleman	D7/334
D489,221	S	5/2004	Pai	
D503,067	S	3/2005	Lubowicki	
7,066,169	B2	6/2006	Feldewerth	
D536,918	S *	2/2007	Wood	D7/334
7,228,792	B2	6/2007	Crawford	
D546,116	S *	7/2007	Tseng	D7/334
D560,415	S	1/2008	Wood et al.	
D584,562	S *	1/2009	Chau	F24C 1/16 D7/334
D613,117	S	4/2010	Richburg	
D614,915	S	5/2010	Schnitman	
D655,989	S	3/2012	Nelms	
D657,183	S	4/2012	May	
D671,788	S	12/2012	Slater	
D679,331	S	4/2013	Stravitz	
D680,797	S	4/2013	Chung	
D683,177	S	5/2013	Brennan	
D694,056	S	11/2013	Dahle	
D732,874	S	6/2015	Chung	
D736,026	S	8/2015	Kam et al.	
D737,627	S *	9/2015	Goldenstein	D7/402
D741,105	S	10/2015	Ryan	
D745,802	S	12/2015	Yao	
9,357,879	B2	6/2016	Ortner	
9,814,354	B2	11/2017	McAdams	
D805,343	S *	12/2017	Magee	D7/334
D833,207	S	11/2018	Zemel	
10,213,051	B2 *	2/2019	Colston	F24C 1/16
D857,439	S	8/2019	Chung	
D869,894	S *	12/2019	Nicoll	D7/332
D896,561	S *	9/2020	Measom	D7/334
D901,244	S *	11/2020	Baker	D7/402
D915,120	S *	4/2021	Bennion	D7/334
D921,413	S *	6/2021	Fitzpatrick	A23B 4/052 D7/334
D926,510	S	8/2021	Chung	
D927,917	S *	8/2021	Yueh	A47J 37/0786 D7/334
D927,918	S	8/2021	Dahle et al.	
D934,611	S	11/2021	Dahle et al.	
D940,496	S	1/2022	Wang	
2005/0034716	A1	2/2005	Harbin	
2007/0277800	A1	12/2007	Chiang	
2009/0025705	A1	1/2009	Hatjopoulos	
2009/0235918	A1	9/2009	Espina	
2017/0164783	A1 *	6/2017	Sauerwein	A47J 37/0786
2017/0332838	A1	11/2017	Dahle	
2018/0368618	A1 *	12/2018	Measom	A23B 4/052
2019/0256338	A1	8/2019	Moss	
2021/0244233	A1	8/2021	Bush, III	
2021/0315416	A1	10/2021	Fullmer et al.	
2022/0022688	A1	1/2022	Barajas, Jr.	
2022/0071444	A1	3/2022	Springer	
2022/0071445	A1	3/2022	Springer	

OTHER PUBLICATIONS

Expert Grill Atlas Pellet Grill and Smoker, Walmart, [online], [site visited Oct. 6, 2021], Available from internet URL: <https://www.walmart.com/ip/Expert-Grill-Atlas-Pellet-Grill-and-Smoker/808216815> (Year: 2021).\*

Application and File History for U.S. Appl. No. 29/749,463, filed Sep. 4, 2020, Inventor: Zachary Springer.

Application and File History for U.S. Appl. No. 29/749,468, filed Sep. 4, 2020, Inventor: Zachary Springer.

Application and File History for U.S. Appl. No. 29/749,461, filed Sep. 4, 2020, Inventor: Zachary Springer.

Application and File History for U.S. Appl. No. 29/749,475, filed Sep. 4, 2020, Inventor: Zachary Springer.

EQuipped GR24-T 24" Gas Griddle—Thermostatic, 3/4" Steel Plate, Natural Gas, dated Sep. 19, 2019, 5 pages.

Blaze Outdoor Products, Blaze 30-Inch Built-In Gas Griddle Lite, dated Sep. 19, 2019, 3 pages.

amazon.com, Cuisinart GR-55 Griddler Stainless Steel Nonstick Grill/Griddle Combo, dated Sep. 19, 2019, 8 pages.

The Spruce Eats, Weber Genesis II E-210 Propane Grill Review, dated Sep. 19, 2019, 17 pages.

walmart.com, George Foreman Dual Surface Griddle and Grill, GFG240X, dated Sep. 18, 2019, 17 pages.

The GMG Difference: How A Pellet Grill Works, dated Sep. 23, 2019, 10 pages.

Oster Titanium Infused DuraCeramic Reversible Grill/Griddle, Black, dated Sep. 20, 2019, 9 pages.

Walmart. Com, Pit Boss Platinum KC Combo, WiFi and Bluetooth Wood Pellet and Gas Grill, : <https://www.walmart.com/ip/Pit-Boss-KC-Combo-Platinum-Series-Wood-Pellet-Grill-and-Smoker-w-Gas-Grill-and-Griddle/716604652?wmlspartner=wlp&selectedSellerId=0&w13=1&adid=2222222227325778989&w10=&w11=g&w12=c&w13=408300245413&w14=aud-430887228898:pla-854030077418&w15=9026058&w16=&w17=&w18=&w19=pla&w10=8175035&w11=local&w12=716604652&veh=sem>, available prior to Sep. 4, 2020, 31 pages/.

Home Depot, "Dyna-Glo 4-Burner Propane Gas Grill in Stainless Steel with Griddle—DGX440SGP," Retrieved from internet URL: <https://www.homedepot.com/p/Dyna-Glo-4-Burner-Propane-Gas-Grill-in-Stainless-Steel-with-Griddle-DGX440SGP/310506606>, 2021, 6 pages.

Lowe's., "Blackstone 3-Burner Natural Gas or Liquid Propane Flat Top Grill," Retrieved from internet URL: <https://www.lowes.com/pd/Blackstone-Culinary-3-Burner-30-In-with-Hood/1003254674>, site visited on Nov. 11, 2021, 6 pages.

Walmart, "Expert Grill Concord 3-In-1 Pellet Grill, Smoker, and Propane Gas Griddle," Retrieved from internet URL: <https://www.walmart.com/ip/Expert-Grill-Concord-3-In-1-Pellet-Grill-Smoker-and-Propane-Gas-Griddle/505997762>, 2021, 13 pages.

Walmart., "Expert Grill Pioneer 28-Inch Portable Propane Gas Griddle," Retrieved from Internet URL: <https://www.walmart.com/ip/Expert-Grill-Pioneer-28-Inch-Portable-Propane-Gas-Griddle/768889699?athbdg=L1300>, Retrieved on Oct. 6, 2021, 10 pages.

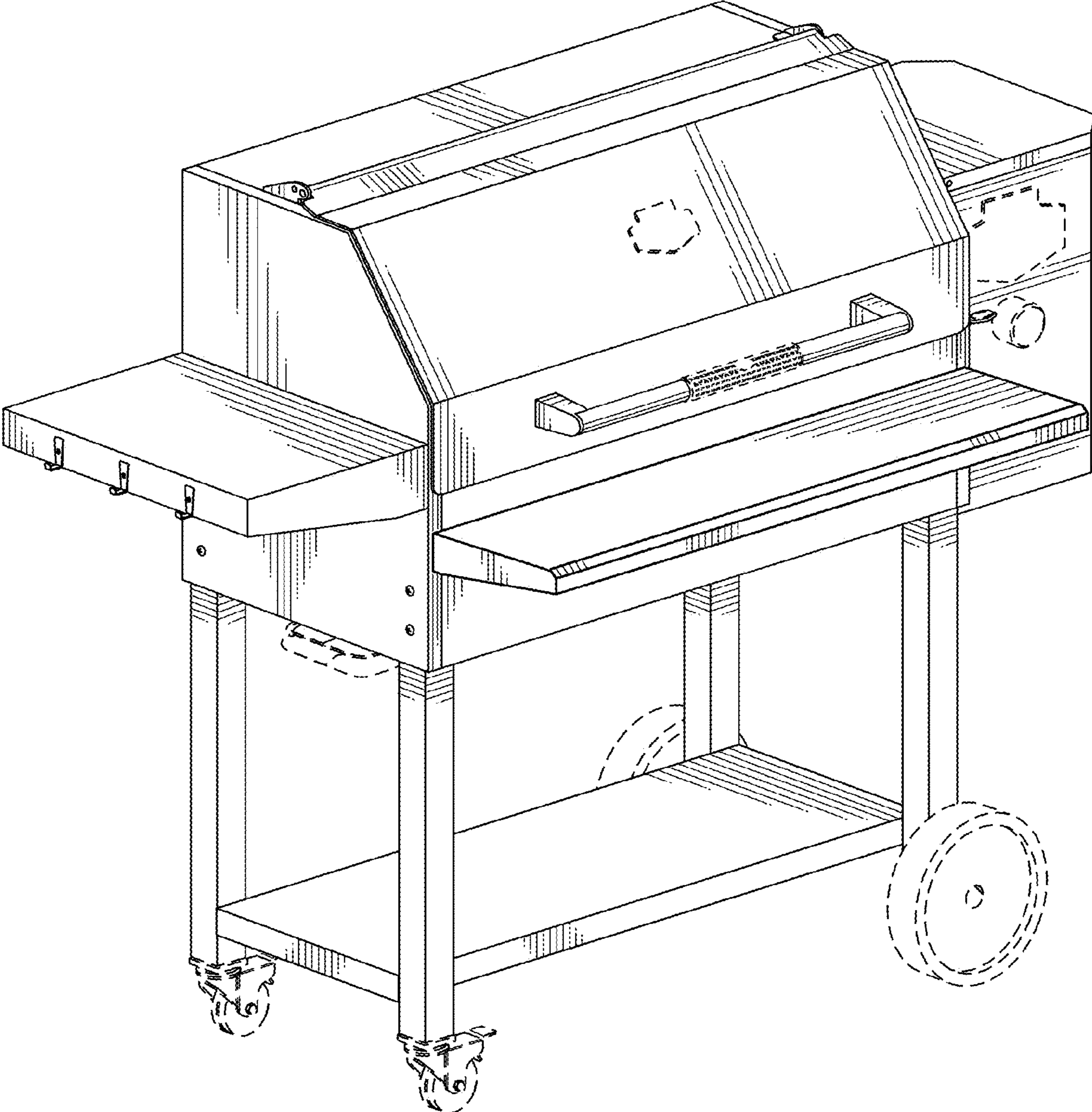
Cuisinart Grill with Removable Plate, posted at Amazon.co.uk. on Aug. 28, 2020, [site visited Mar. 22, 2022 ]. Available from internet, URL: <https://www.amazon.co.uk/Cuisinart-Collection-Entertaining-Temperature-PL60U/dp/B08GYH-GJQ6/> (Year: 2020).

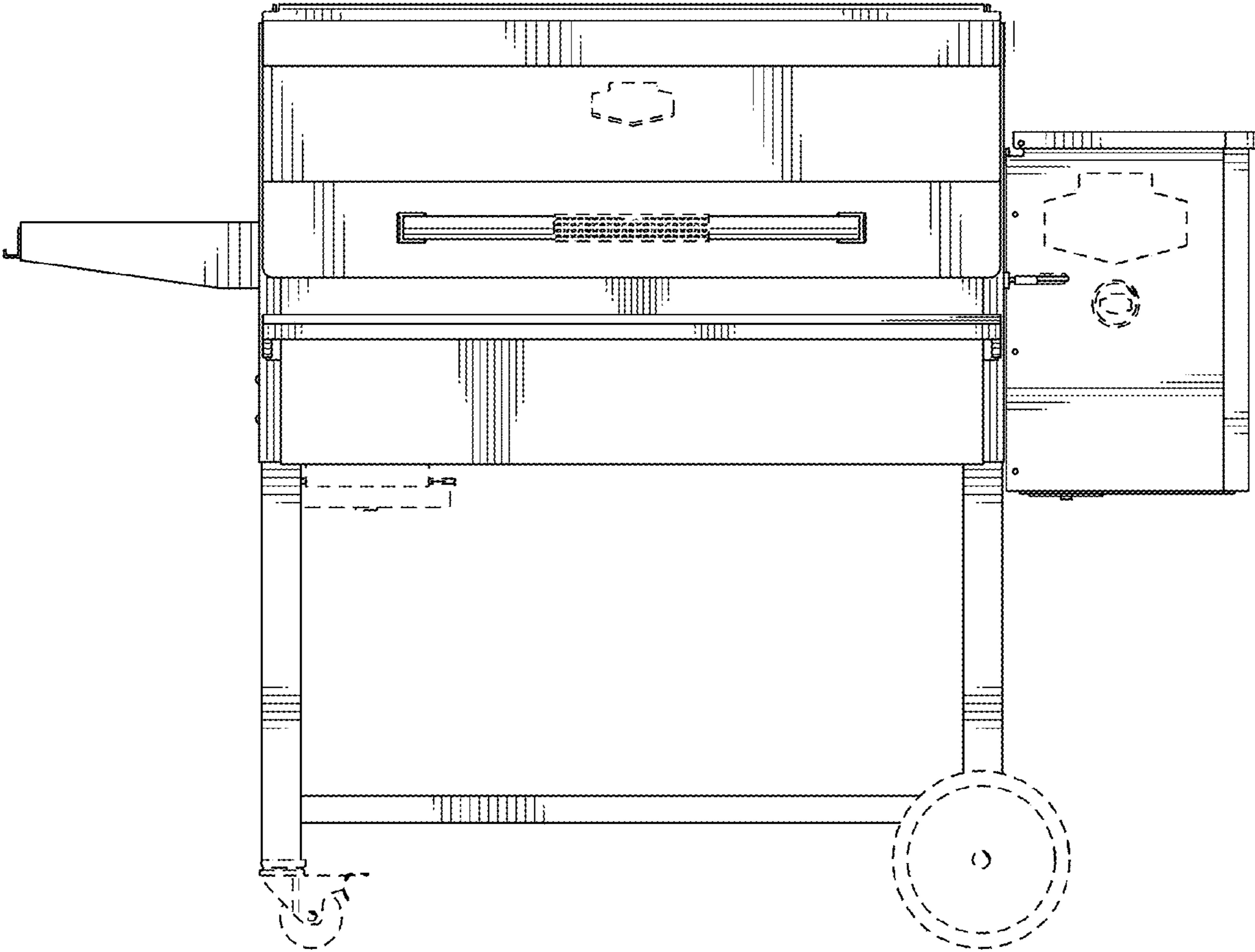
CAM PLUX Gas Griddle, posted at Amazon.com on Sep. 18, 2020, [site visited Mar. 22, 2022 ]. Available from internet, URL: <https://www.amazon.com/CAMPLUX-ENJOY-OUTDOOR-LIFE-GG302S/dp/B08JGZHPF/> (Year: 2020).

Campingaz Cooking Plate, posted at Amazon.co.uk. on Jan. 15, 2018, [site visited Mar. 22, 2022 ]. Available from internet, URL: <https://www.amazon.co.uk/dp/B078YKZMYQ/> (Year: 2018).

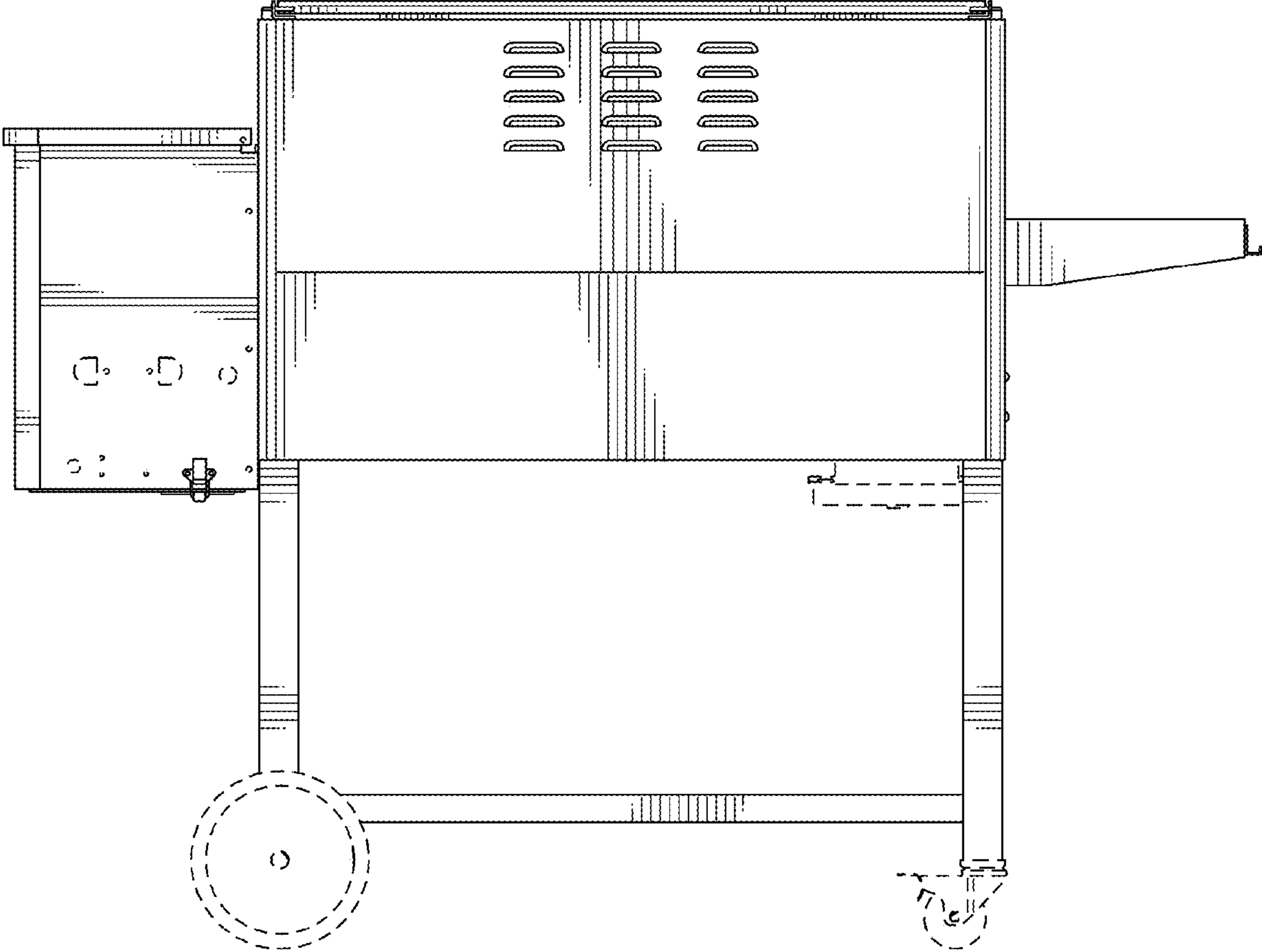
\* cited by examiner

**FIG. 1**

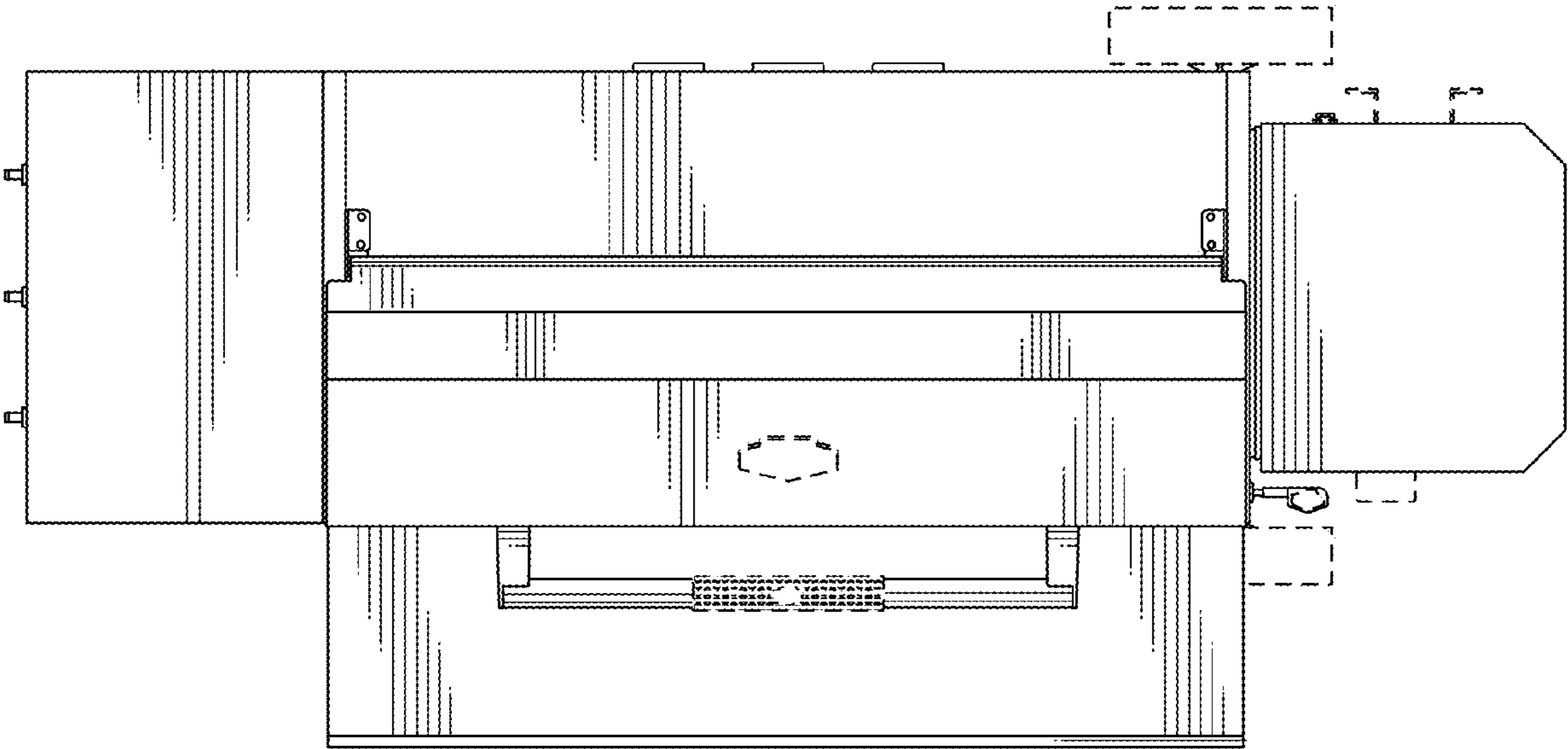




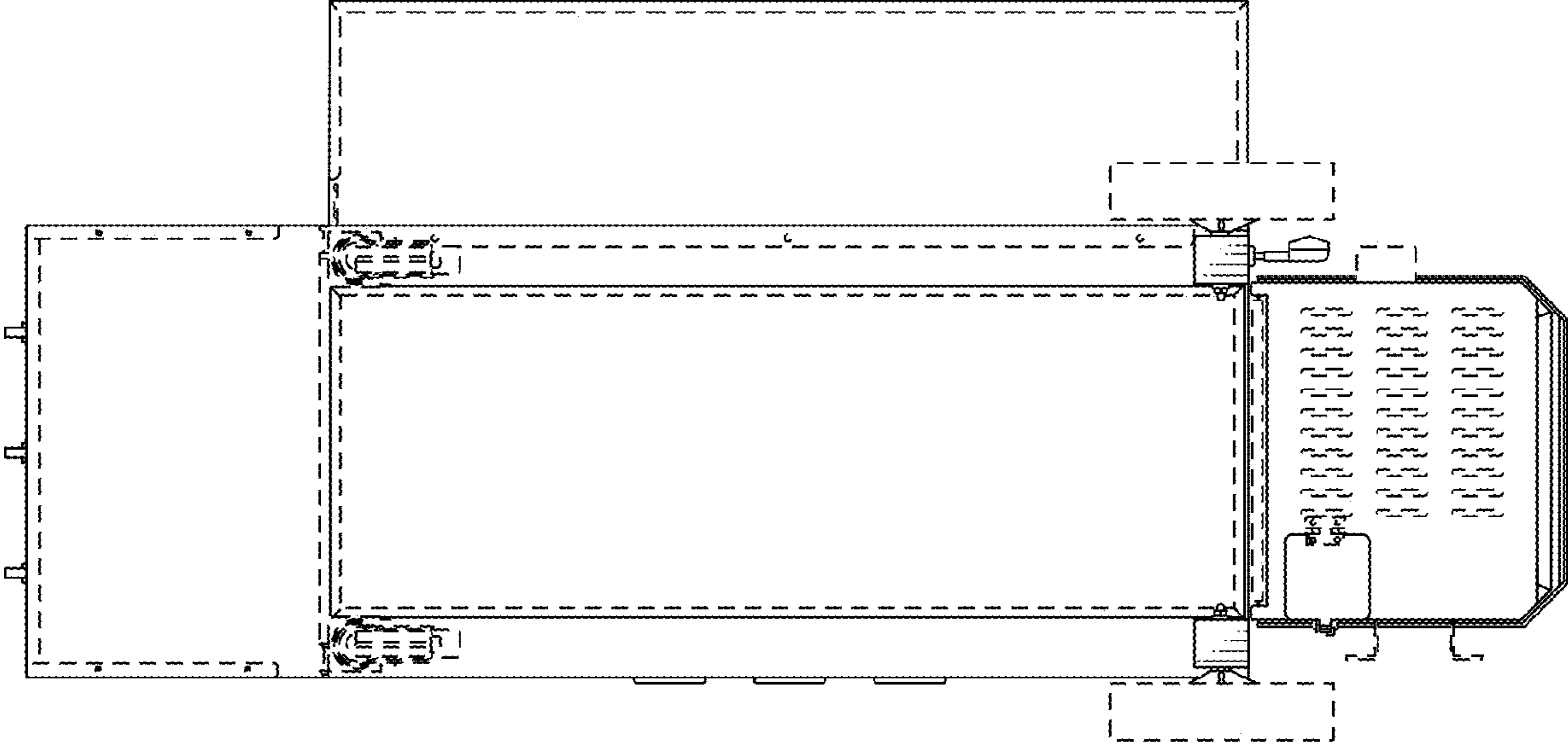
**FIG. 2**



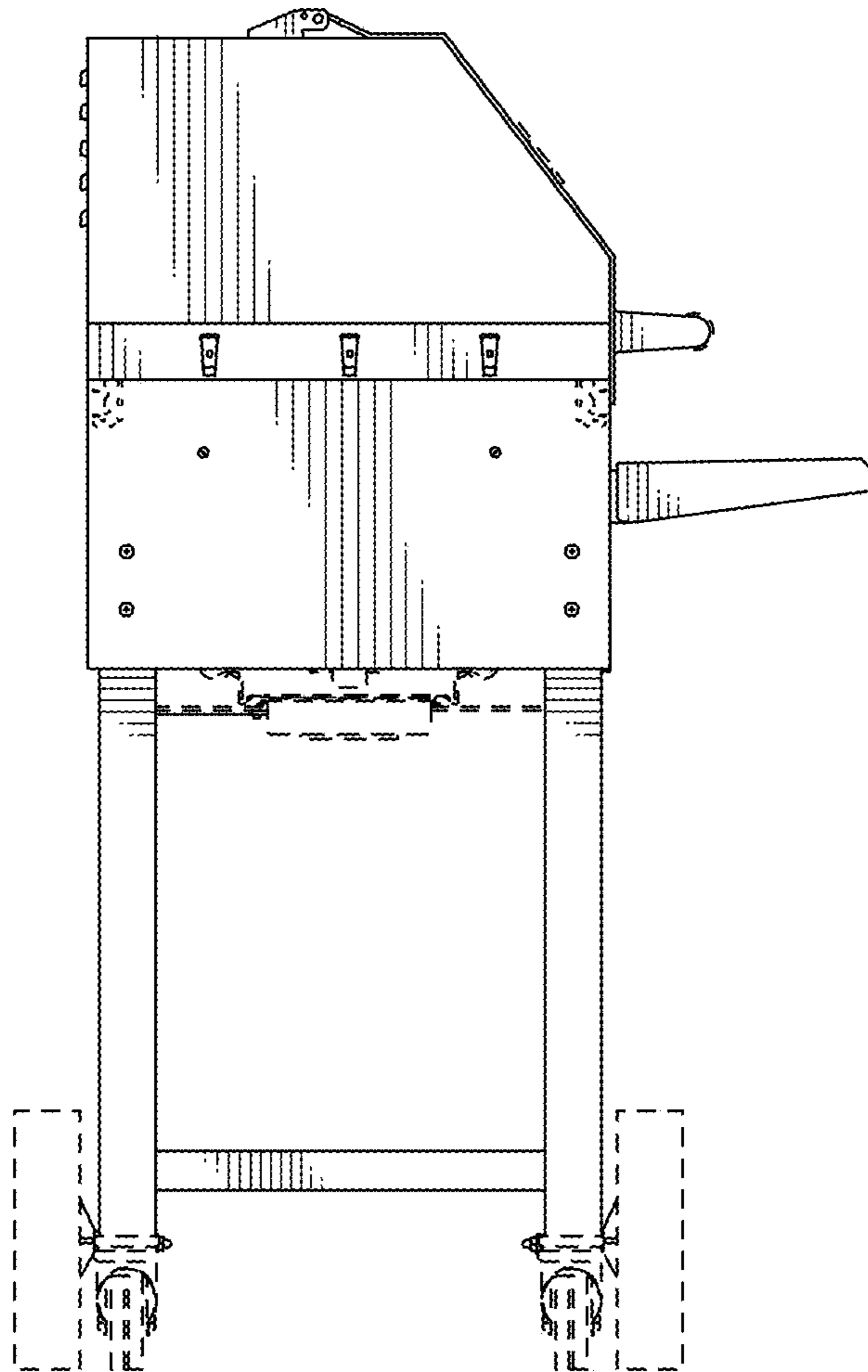
**FIG. 3**



**FIG. 4**

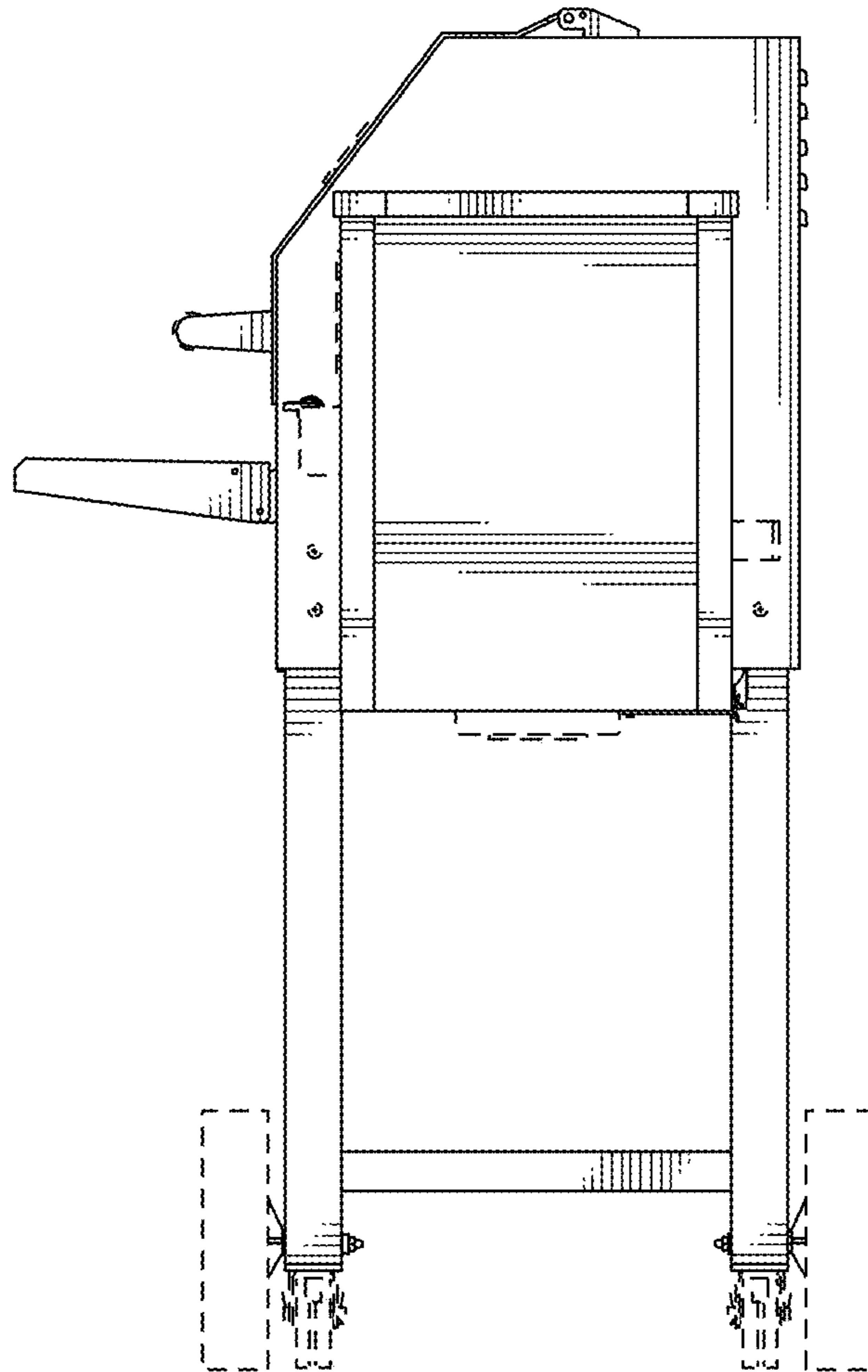


**FIG. 5**



**FIG. 6**





**FIG. 7**