



US00D968870S

(12) **United States Design Patent** (10) **Patent No.:** **US D968,870 S**
Springer (45) **Date of Patent:** **** Nov. 8, 2022**

(54) **PELLET GRILL**

FOREIGN PATENT DOCUMENTS

(71) Applicant: **Walmart Apollo, LLC**, Bentonville, AR (US)

CN 207803377 U * 8/2017 A23L 3/3409
DE 202017105189 9/2017
GB 9004005239-0005 5/2017

(72) Inventor: **Zachary Springer**, Bentonville, AR (US)

OTHER PUBLICATIONS

(73) Assignee: **Walmart Apollo, LLC**, Bentonville, AR (US)

Design No. 305786550, May 19, 2020—China National Intellectual Property Administration Publication Date—May 19, 2020 Owner—Wang Maoxian WIPO, available at <https://www3.wipo.int/designdb/en/index.jsp> (Year: 2020).*

(**) Term: **15 Years**

(Continued)

(21) Appl. No.: **29/749,468**

Primary Examiner — Mary Ann Calabrese
Assistant Examiner — Natalya M Rapundalo
(74) *Attorney, Agent, or Firm* — Patterson Thuente Pedersen, P.A.

(22) Filed: **Sep. 4, 2020**

(51) **LOC (13) Cl.** **07-02**

(52) **U.S. Cl.**

USPC **D7/334**

(58) **Field of Classification Search**

USPC D7/323, 332–339, 347, 387, 402–406, D7/409; D21/523, 524

CPC A47J 37/06; A47J 37/0605; A47J 37/0623; A47J 37/0647; A47J 37/07; A47J 37/0704; A47J 37/0709; A47J 37/0713; A47J 37/0718; A47J 37/0727; A47J 37/0731; A47J 37/074; A47J 37/0745; A47J 37/075; A47J 37/0754; A47J 37/0763

See application file for complete search history.

(57) **CLAIM**

I claim the ornamental design for a pellet grill, as shown and described.

DESCRIPTION

FIG. 1 is a front perspective view of a pellet grill.
FIG. 2 is a front elevational view of the pellet grill depicted in FIG. 1.
FIG. 3 is a rear elevational view of the pellet grill depicted in FIG. 1.
FIG. 4 is a top plan view of the pellet grill depicted in FIG. 1.
FIG. 5 is a bottom plan view of the pellet grill depicted in FIG. 1.
FIG. 6 is a left side elevational view of the pellet grill depicted in FIG. 1; and
FIG. 7 is a right side elevational view of the pellet grill depicted in FIG. 1.
The broken lines in the drawings illustrate portions of the pellet grill that form no part of the claimed design. The patterned grip portion of the central handle is shown in broken lines and forms no part of the claimed design.

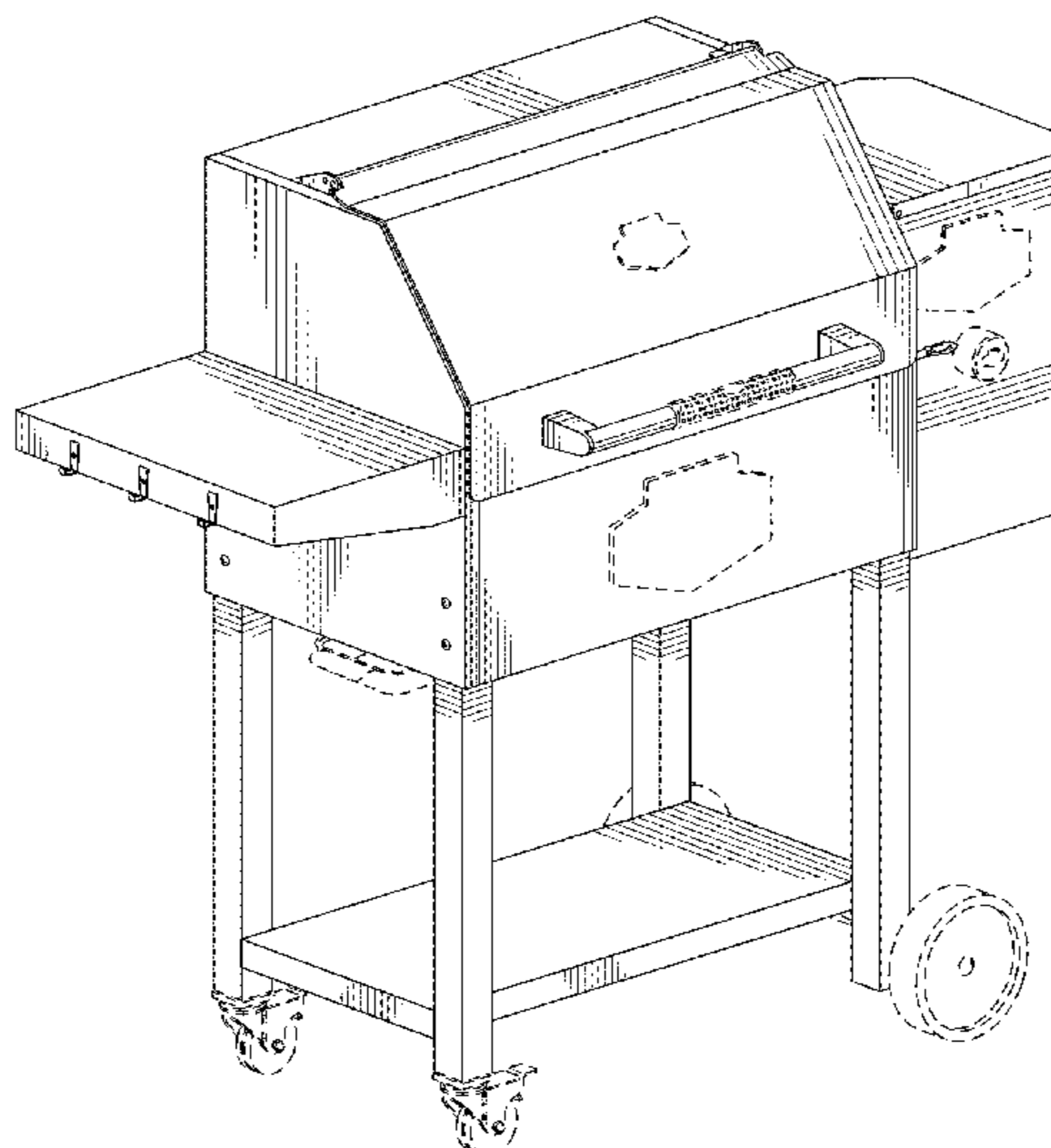
(56) **References Cited**

U.S. PATENT DOCUMENTS

D218,352 S 8/1970 Hoch
3,837,329 A 9/1974 Mutchler
D253,627 S 12/1979 Adamson
4,823,684 A 4/1989 Traeger
D302,703 S 8/1989 Foran
D348,284 S 6/1994 Thorud
D348,694 S 7/1994 Evenson
D420,851 S 2/2000 Wagner

(Continued)

1 Claim, 7 Drawing Sheets



(56)

References Cited

U.S. PATENT DOCUMENTS

6,203,834 B1 3/2001 Anders
D465,693 S * 11/2002 Coleman D7/334
D489,221 S 5/2004 Pai
D503,067 S 3/2005 Lubowicki
7,066,169 B2 6/2006 Feldewerth
D536,918 S * 2/2007 Wood D7/334
7,228,792 B2 6/2007 Crawford
D546,116 S * 7/2007 Tseng D7/334
D560,415 S 1/2008 Wood et al.
D584,562 S * 1/2009 Chau F24C 1/16
D7/334
D613,117 S 4/2010 Richburg
D614,915 S 5/2010 Schnitman
D655,989 S 3/2012 Nelms
D657,183 S 4/2012 May
D671,788 S 12/2012 Slater
D679,331 S 4/2013 Stravitz
D680,797 S 4/2013 Chung
D683,177 S 5/2013 Brennan
D694,056 S 11/2013 Dahle
D732,874 S 6/2015 Chung
D736,026 S 8/2015 Kam et al.
D737,627 S * 9/2015 Goldenstein D7/402
D741,105 S 10/2015 Ryan
D745,802 S 12/2015 Yao
9,357,879 B2 6/2016 Ortner
9,814,354 B2 11/2017 McAdams
D805,343 S * 12/2017 Magee D7/334
D833,207 S 11/2018 Zemel
10,213,051 B2 * 2/2019 Colston F24C 1/16
D857,439 S 8/2019 Chung
D869,894 S * 12/2019 Nicoll D7/332
D896,561 S * 9/2020 Measom D7/334
D901,244 S * 11/2020 Baker D7/402
D915,120 S * 4/2021 Bennion D7/334
D921,413 S * 6/2021 Fitzpatrick A23B 4/052
D7/334
D926,510 S 8/2021 Chung
D927,917 S * 8/2021 Yueh A47J 37/0786
D7/334
D927,918 S 8/2021 Dahle et al.
D934,611 S 11/2021 Dahle et al.
D940,496 S 1/2022 Wang
2005/0034716 A1 2/2005 Harbin
2007/0277800 A1 12/2007 Chiang
2009/0025705 A1 1/2009 Hatjopoulos
2009/0235918 A1 9/2009 Espina
2017/0164783 A1 * 6/2017 Sauerwein A47J 37/0786
2017/0332838 A1 11/2017 Dahle
2018/0368618 A1 * 12/2018 Measom A23B 4/052
2019/0256338 A1 8/2019 Moss
2021/0244233 A1 8/2021 Bush, III
2021/0315416 A1 10/2021 Fullmer et al.
2022/0022688 A1 1/2022 Barajas, Jr.
2022/0071444 A1 3/2022 Springer
2022/0071445 A1 3/2022 Springer

OTHER PUBLICATIONS

Expert Grill Commodore Pellet Grill and Smoker, Walmart, [online], [site visited Oct. 6, 2021], Available from internet URL: <https://www.walmart.com/ip/Expert-Grill-Commodore-Pellet-Grill-and-Smoker/675237961> (Year: 2021).*

Application and File History for U.S. Appl. No. 29/749,463, filed Sep. 4, 2020, Inventor: Zachary Springer.
Application and File History for U.S. Appl. No. 29/749,461, filed Sep. 4, 2020, Inventor: Zachary Springer.
Application and File History for U.S. Appl. No. 29/749,472, filed Sep. 4, 2020, Inventor: Zachary Springer.
Application and File History for U.S. Appl. No. 29/749,475, filed Sep. 4, 2020, Inventor: Zachary Springer.
EQuipped GR24-T 24" Gas Griddle—Thermostatic, ¾" Steel Plate, Natural Gas, dated Sep. 19, 2019, 5 pages.
Blaze Outdoor Products, Blaze 30-Inch Built-In Gas Griddle Lite, dated Sep. 19, 2019, 3 pages.
amazon.com, Cuisinart GR-55 Griddler Stainless Steel Nonstick Grill/Griddle Combo, dated Sep. 19, 2019, 8 pages.
The Spruce Eats, Weber Genesis II E-210 Propane Grill Review, dated Sep. 19, 2019, 17 pages.
walmart.com, George Foreman Dual Surface Griddle and Grill, GFG240X, dated Sep. 18, 2019, 17 pages.
The GMG Difference: How A Pellet Grill Works, dated Sep. 23, 2019, 10 pages.
Oster Titanium Infused DuraCeramic Reversible Grill/Griddle, Black, dated Sep. 20, 2019, 9 pages.
Walmart. Com, Pit Boss Platinum KC Combo, WiFi and Bluetooth Wood Pellet and Gas Grill, : <https://www.walmart.com/ip/Pit-Boss-KC-Combo-Platinum-Series-Wood-Pellet-Grill-and-Smoker-w-Gas-Grill-and-Griddle/716604652?wmlspartner=wlp&selectedSellerId=0&w13=1&adid=2222222227325778989&w10=&w11=g&w12=c&w13=408300245413&w14=aud-430887228898:pla-854030077418&w15=90260S8&w16=&w17=&w18=&w19=pla&w110=8175035&w111=local&w112=716604652&veh=sem>, available prior to Sep. 4, 2020, 31 pages/.
Home Depot, "Dyna-Glo 4-Burner Propane Gas Grill in Stainless Steel with Griddle-DGX440SGP," Retrieved from internet URL: <https://www.homedepot.com/p/Dyna-Glo-4-Burner-Propane-Gas-Grill-in-Stainless-Steel-with-Griddle-DGX440SGP/310506606>, 2021, 6 pages.
Lowe's., "Blackstone 3-Burner Natural Gas or Liquid Propane Flat Top Grill," Retrieved from internet URL: <https://www.lowes.com/pd/Blackstone-Culinary-3-Burner-30-In-with-Hood/1003254674>, site visited on Nov. 11, 2021, 6 pages.
Walmart, "Expert Grill Concord 3-In-1 Pellet Grill, Smoker, and Propane Gas Griddle," Retrieved from internet URL: <https://www.walmart.com/ip/Expert-Grill-Concord-3-In-1-Pellet-Grill-Smoker-and-Propane-Gas-Griddle/505997762>, 2021, 13 pages.
Walmart., "Expert Grill Pioneer 28-Inch Portable Propane Gas Griddle," Retrieved from Internet URL: <https://www.walmart.com/ip/Expert-Grill-Pioneer-28-Inch-Portable-Propane-Gas-Griddle/768889699?athbdg=L1300>, Retrieved on Oct. 6, 2021, 10 pages.
Cuisinart Grill with Removable Plate, posted at Amazon.co.uk. on Aug. 28, 2020, [site visited Mar. 22, 2022]. Available from internet, URL: <https://www.amazon.co.uk/Cuisinart-Collection-Entertaining-Temperature-PL60U/dp/B08GYH-GJQ6/> (Year: 2020).
Cam Plux Gas Griddle, posted at Amazon.com on Sep. 18, 2020, [site visited Mar. 22, 2022]. Available from internet, URL: <https://www.amazon.com/CAMPLUX-ENJOY-OUTDOOR-LIFE-GG302S/dp/B08JGJZHPF/> (Year: 2020).
Expert Grill Atlas Pellet Grill and Smoker, Walmart [online], [site visited Oct. 6, 2021], Available from internet URL: <https://www.walmart.com/ip/Expert-Grill-Atlas-Pellet-Grill-and-Smoker/808216815> (Year: 2021).
Campingaz Cooking Plate, posted at Amazon.co.uk. on Jan. 15, 2018, [site visited Mar. 22, 2022]. Available from internet, URL: <https://www.amazon.co.uk/dp/B078YKZMYQ/> (Year: 2018).

* cited by examiner

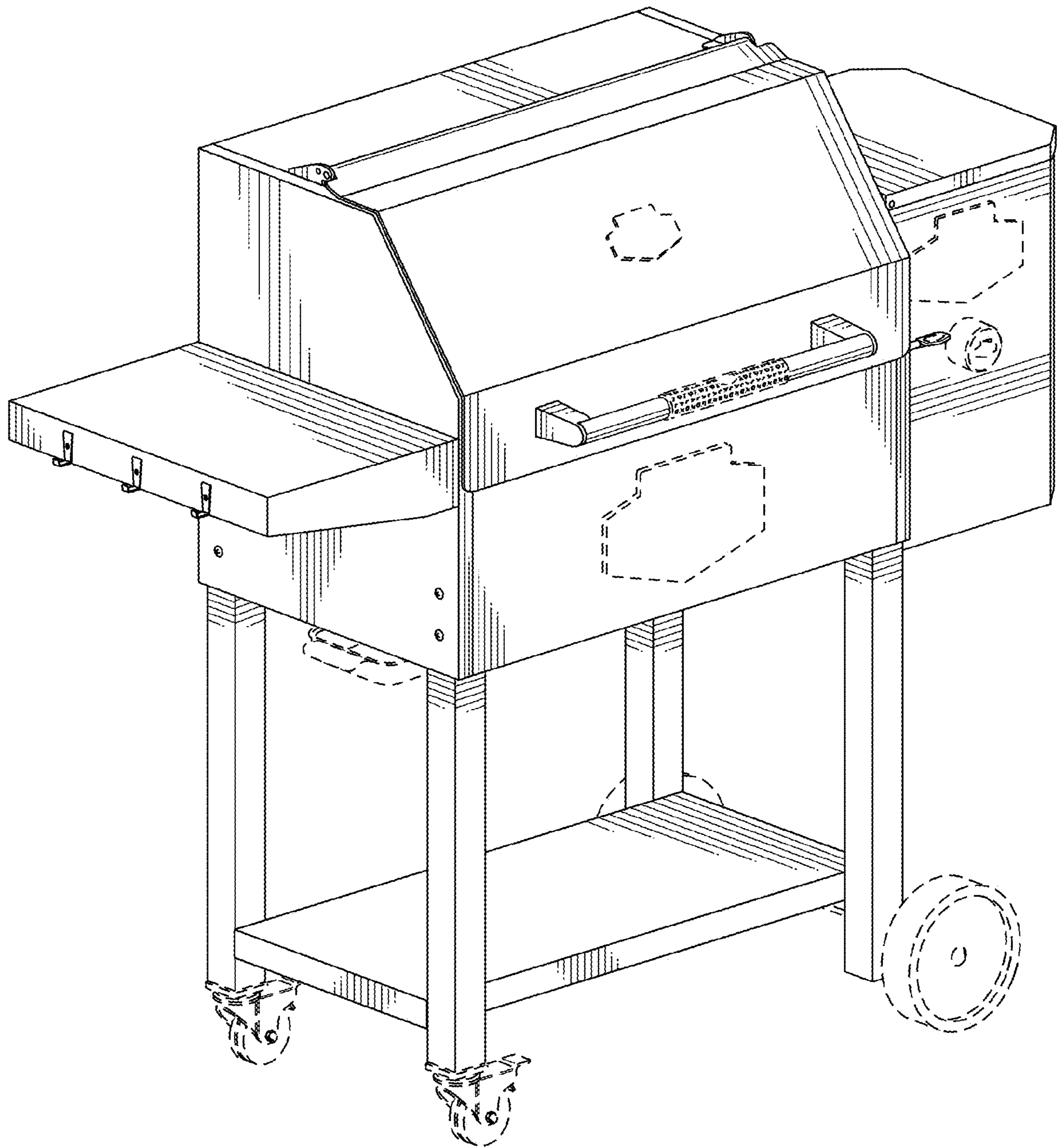


FIG. 1

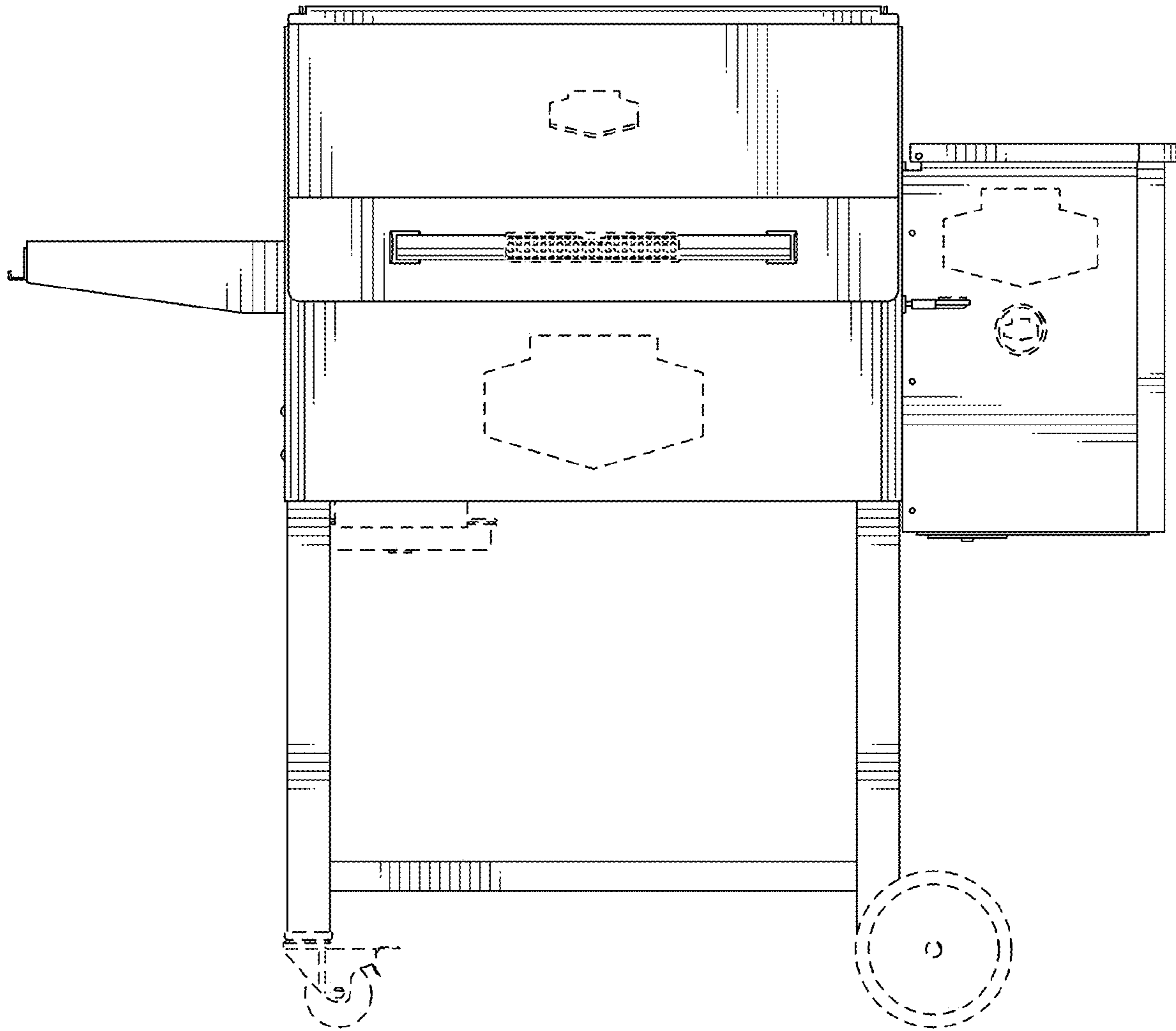


FIG. 2

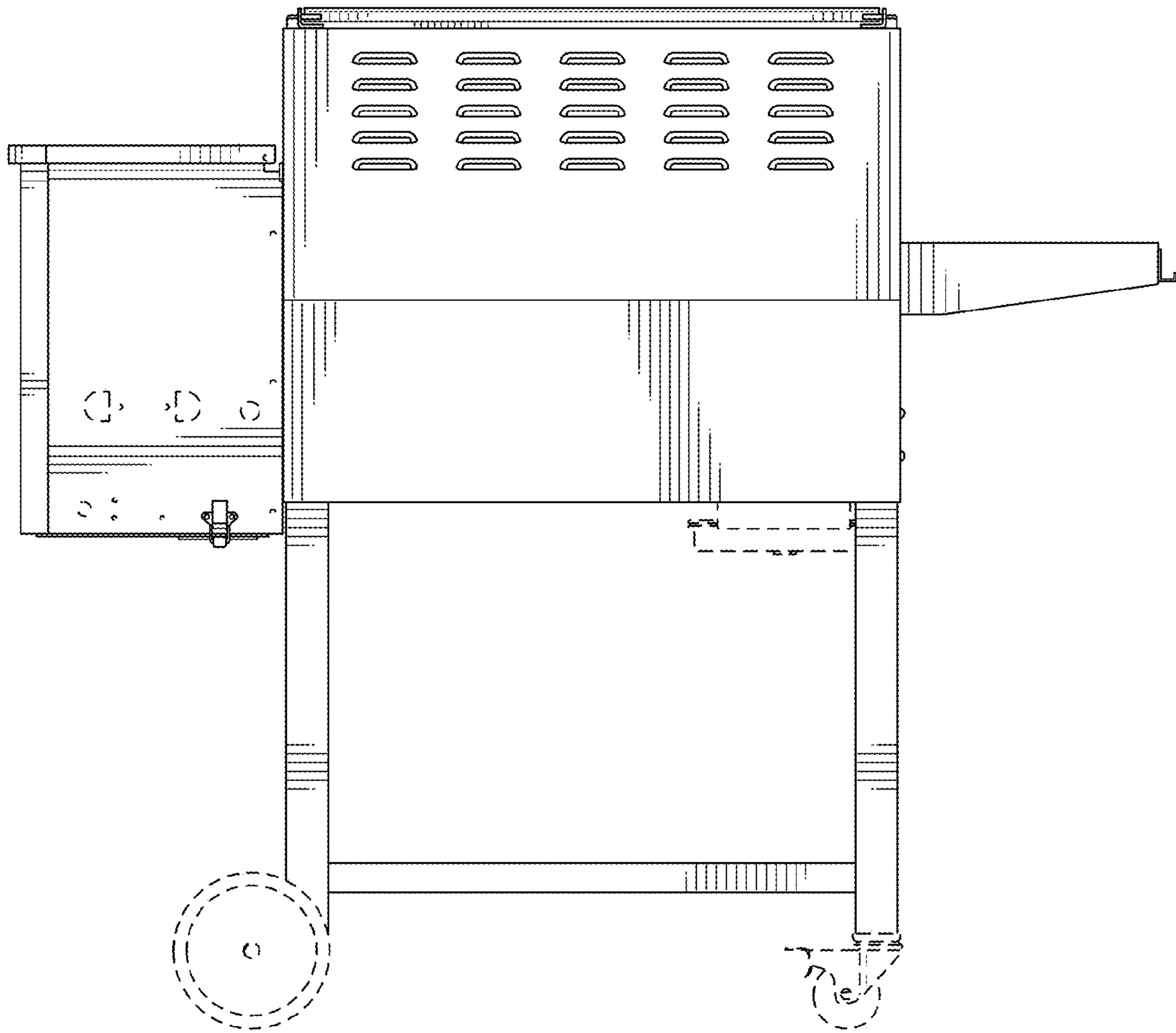


FIG. 3

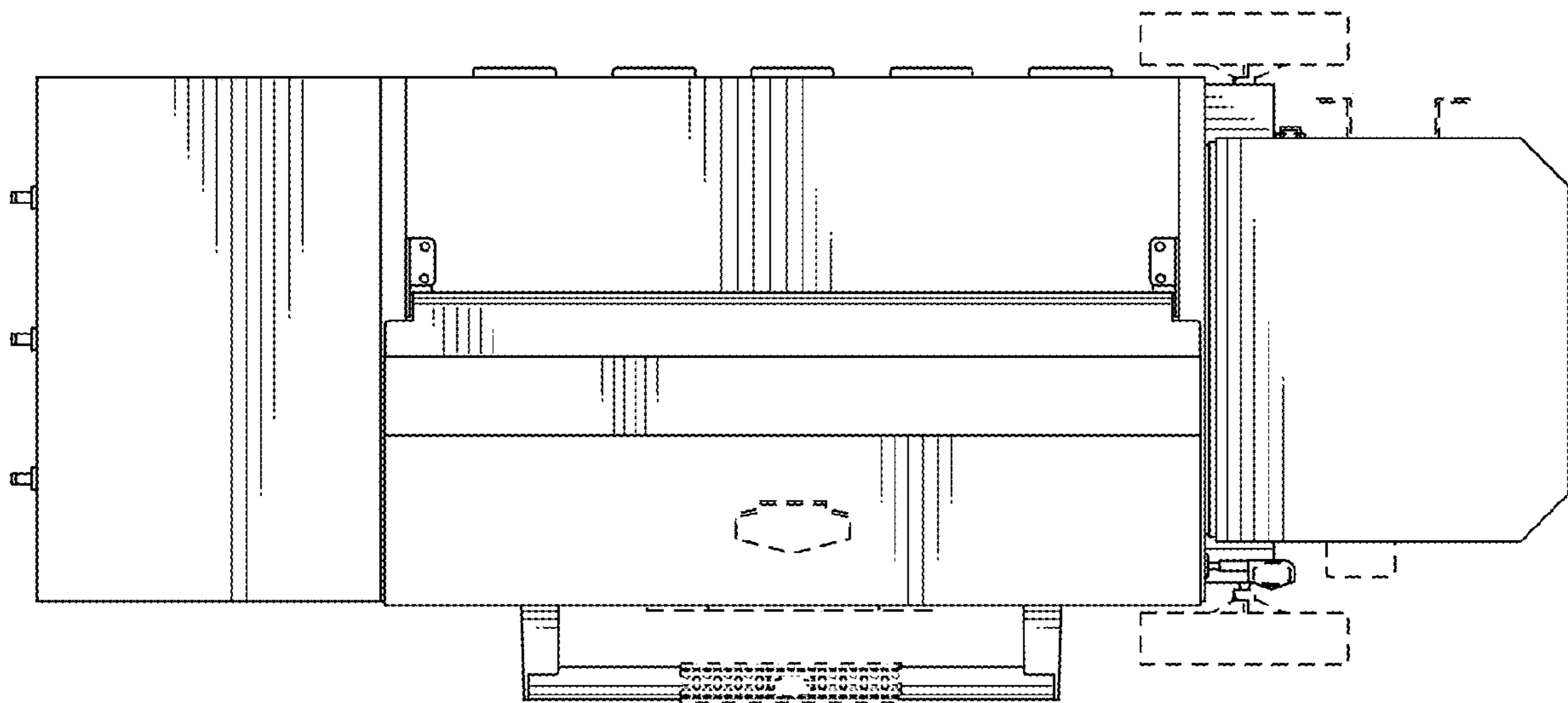


FIG. 4

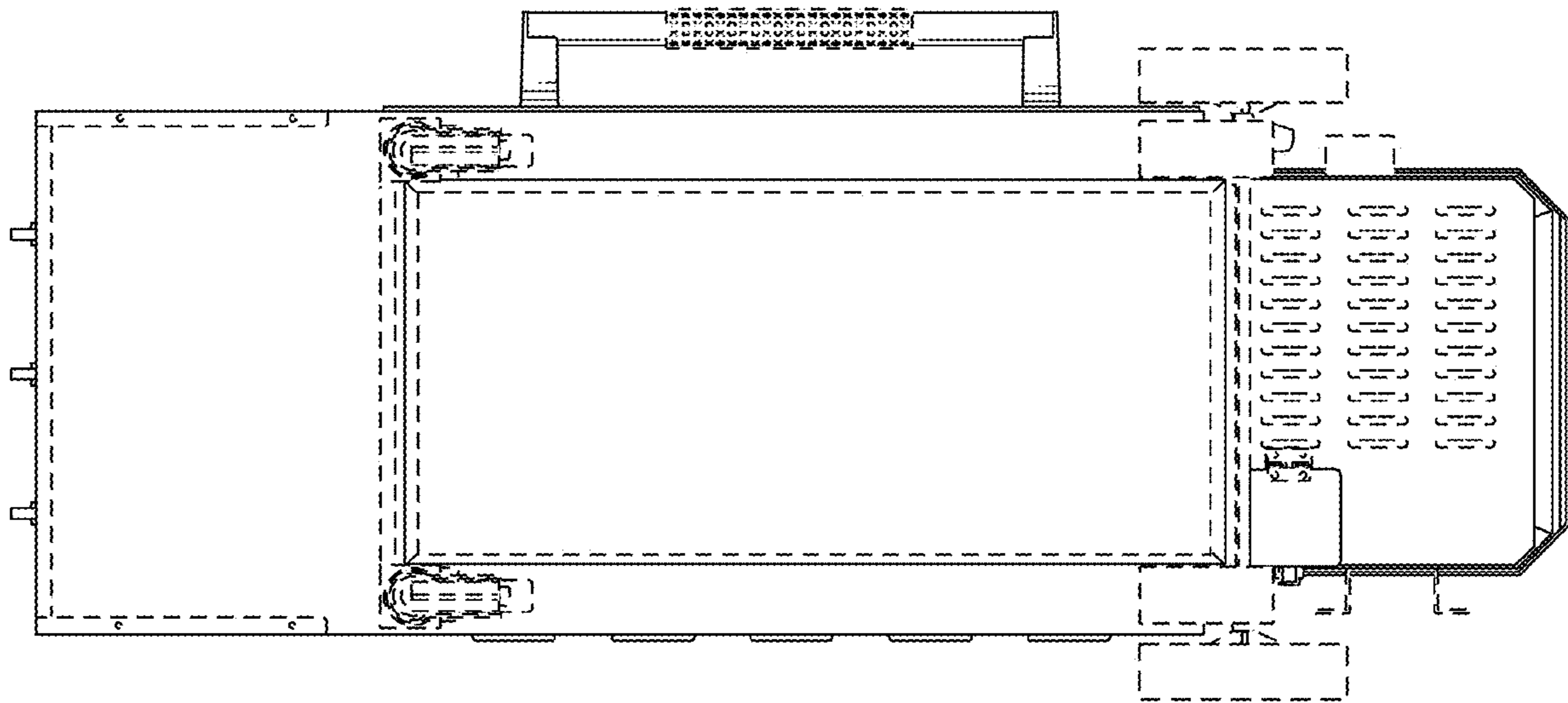


FIG. 5

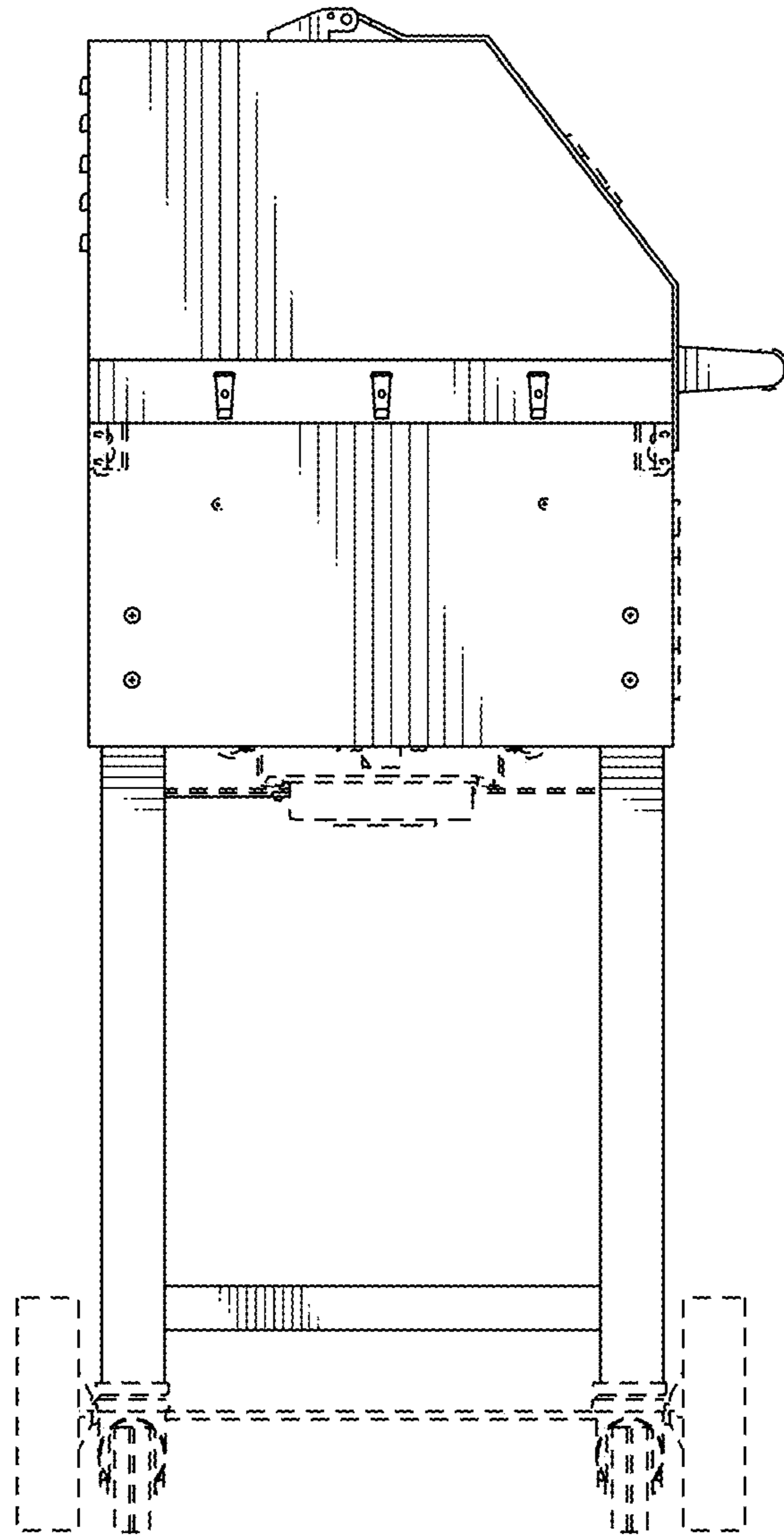


FIG. 6

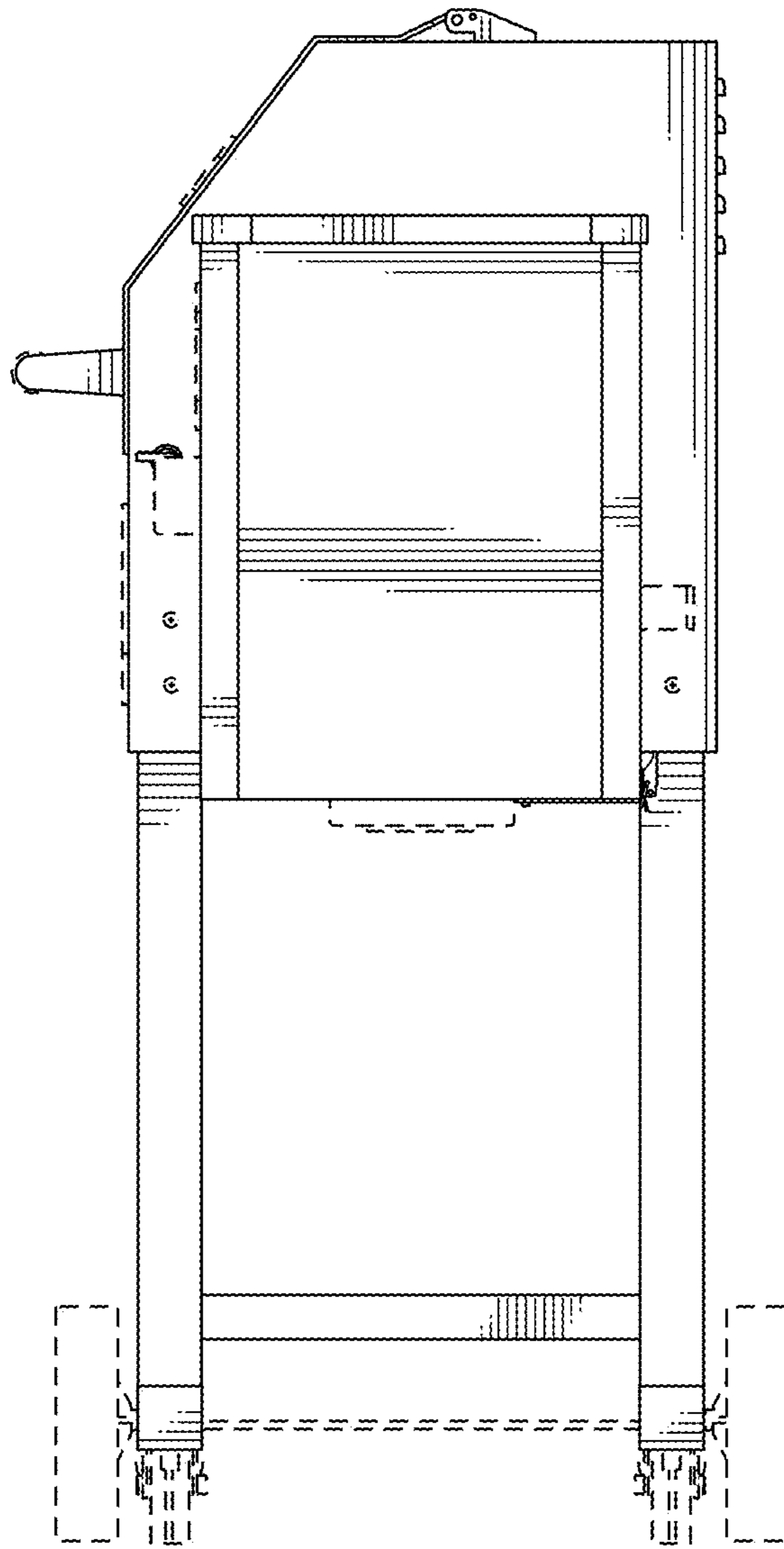


FIG. 7