



US00D968869S

(12) **United States Design Patent** (10) **Patent No.:** **US D968,869 S**  
**Springer** (45) **Date of Patent:** **\*\* Nov. 8, 2022**

(54) **ROTISSERIE GRILL**

FOREIGN PATENT DOCUMENTS

(71) Applicant: **Walmart Apollo, LLC**, Bentonville, AR (US)

CN 206621244 U 11/2017

(72) Inventor: **Zachary Springer**, Bentonville, AR (US)

OTHER PUBLICATIONS

(73) Assignee: **Walmart Apollo, LLC**, Bentonville, AR (US)

Vevor, 25W Stainless Steel Rotisserie Grill, Nov. 30, 2020, Amazon, <https://www.amazon.com/VEVOR-Rotisserie-Roaster-Stainless-Charcoal/dp/B08JTVJV6C> (Year: 2020).\*

(Continued)

(\*\*) Term: **15 Years**

Primary Examiner — Brett Miller

(21) Appl. No.: **29/788,024**

(74) Attorney, Agent, or Firm — Patterson Theunte Pedersen, P.A.

(22) Filed: **Feb. 12, 2021**

(51) **LOC (13) Cl.** ..... **07-02**

(57) **CLAIM**

(52) **U.S. Cl.**  
USPC ..... **D7/332; D7/338**

I claim the ornamental design for a rotisserie grill, as shown and described.

(58) **Field of Classification Search**  
USPC ..... D7/332–338, 323, 402, 331  
CPC .... A47J 37/07; A47J 37/0704; A47J 37/0745;  
A47J 37/0763; A47J 2037/0777; A47J  
33/00; A47J 37/041; A47J 37/0786  
See application file for complete search history.

**DESCRIPTION**

(56) **References Cited**

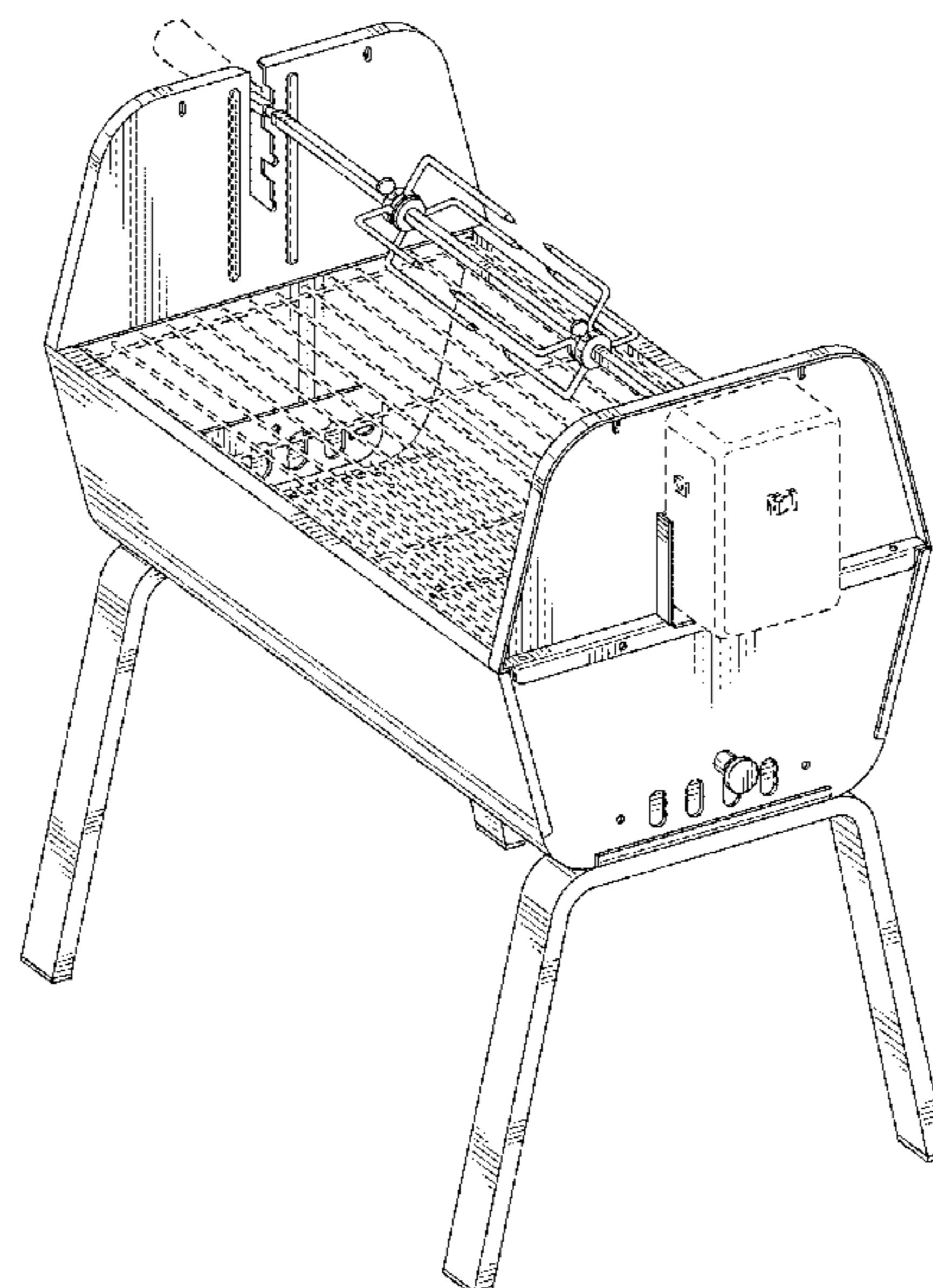
U.S. PATENT DOCUMENTS

3,005,451 A \* 10/1961 Richart ..... A47J 37/0763  
126/304 R  
3,247,827 A \* 4/1966 Cremer ..... A47J 37/0786  
99/421 H  
D205,570 S \* 8/1966 Frazier ..... D7/338  
3,939,761 A \* 2/1976 McGinty ..... A47J 37/041  
99/421 V  
D270,421 S \* 9/1983 Whelan ..... D7/338  
4,593,613 A \* 6/1986 Waltman ..... A47J 37/041  
99/449  
D286,256 S \* 10/1986 Jung ..... D7/334  
5,253,634 A \* 10/1993 LeBeouf ..... A47J 37/0731  
99/450

FIG. 1 is a front perspective view of a rotisserie grill, according to an embodiment.  
FIG. 2 is a rear perspective view of the rotisserie grill depicted in FIG. 1.  
FIG. 3 is a front elevational view of the rotisserie grill depicted in FIG. 1.  
FIG. 4 is a right side elevational view of the rotisserie grill depicted in FIG. 1.  
FIG. 5 is a left side elevational view of the rotisserie grill depicted in FIG. 1.  
FIG. 6 is a rear elevational view of the rotisserie grill depicted in FIG. 1.  
FIG. 7 is a top plan view of the rotisserie grill depicted in FIG. 1; and,  
FIG. 8 is a bottom plan view of the rotisserie grill depicted in FIG. 1.  
The broken lines in the drawings illustrate portions of the rotisserie grill that form no part of the claimed design.

(Continued)

**1 Claim, 8 Drawing Sheets**



(56)

**References Cited**

## U.S. PATENT DOCUMENTS

5,445,065 A \* 8/1995 Lopata ..... A47J 37/042  
99/421 H  
5,471,915 A \* 12/1995 Lopata ..... A47J 37/042  
99/421 H  
D381,552 S \* 7/1997 Pizzey ..... D7/332  
5,755,153 A 5/1998 Su  
5,878,739 A \* 3/1999 Guidry ..... A47J 37/0786  
126/41 R  
6,347,577 B1 \* 2/2002 Harneit ..... A47J 37/047  
99/449  
6,508,167 B1 \* 1/2003 Lu ..... A47J 37/0745  
99/421 A  
D612,190 S \* 3/2010 Tenney ..... D7/332  
D896,562 S \* 9/2020 Shi ..... D7/338  
2015/0216215 A1 \* 8/2015 Cristovao ..... A47J 37/0786  
426/302  
2016/0374507 A1 \* 12/2016 Forbes ..... A47J 37/0763  
99/419  
2017/0007071 A1 \* 1/2017 Zvi Lavie ..... A47J 37/041

## OTHER PUBLICATIONS

Titan Great Outdoors Stainless Steel Rotisserie Grill Roaster, 2020, Amazon, <https://www.amazon.com/Titan-Outdoors-Stainless-Rotisserie-Capacity/dp/B07ZP9Q69J> (Year: 2020).\*

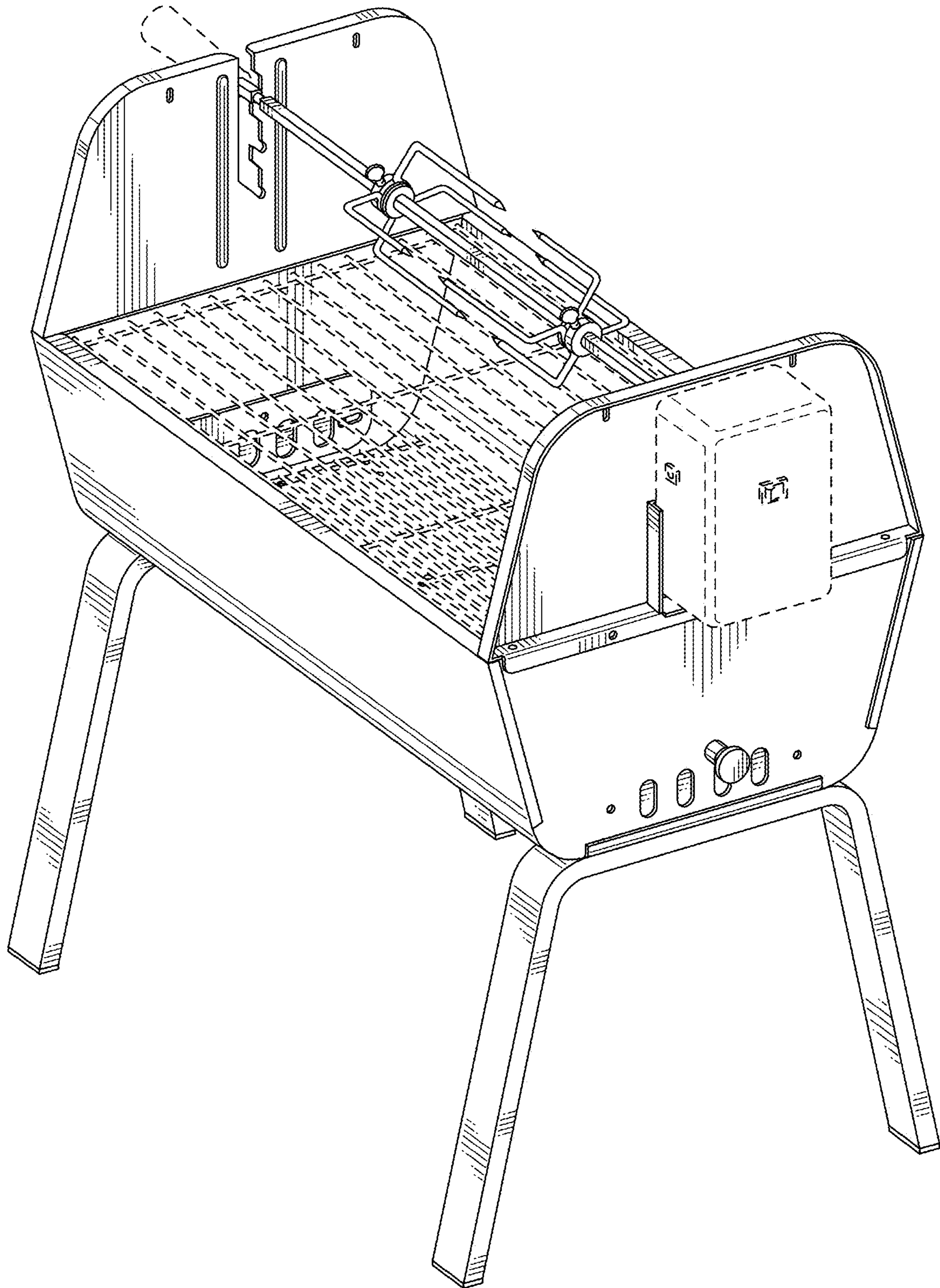
New Portable BBQ Spit Rotisserie Barbeque Grill—C03, dated Jan. 28, 2021, 3 pages.

Casmate, Dual Fuel Spit Roaster, Model No. GM160-016, No. 4515-06/16, 20 pages, dated available prior to Sep. 4, 2020.

We Cooker, *35 Inch Charcoal Spit Roaster for Outdoor*, as available at <https://www.jiangxinbbq.com/spit-roaster/56452712.html>, dated Jan. 28, 2021, 5 pages.

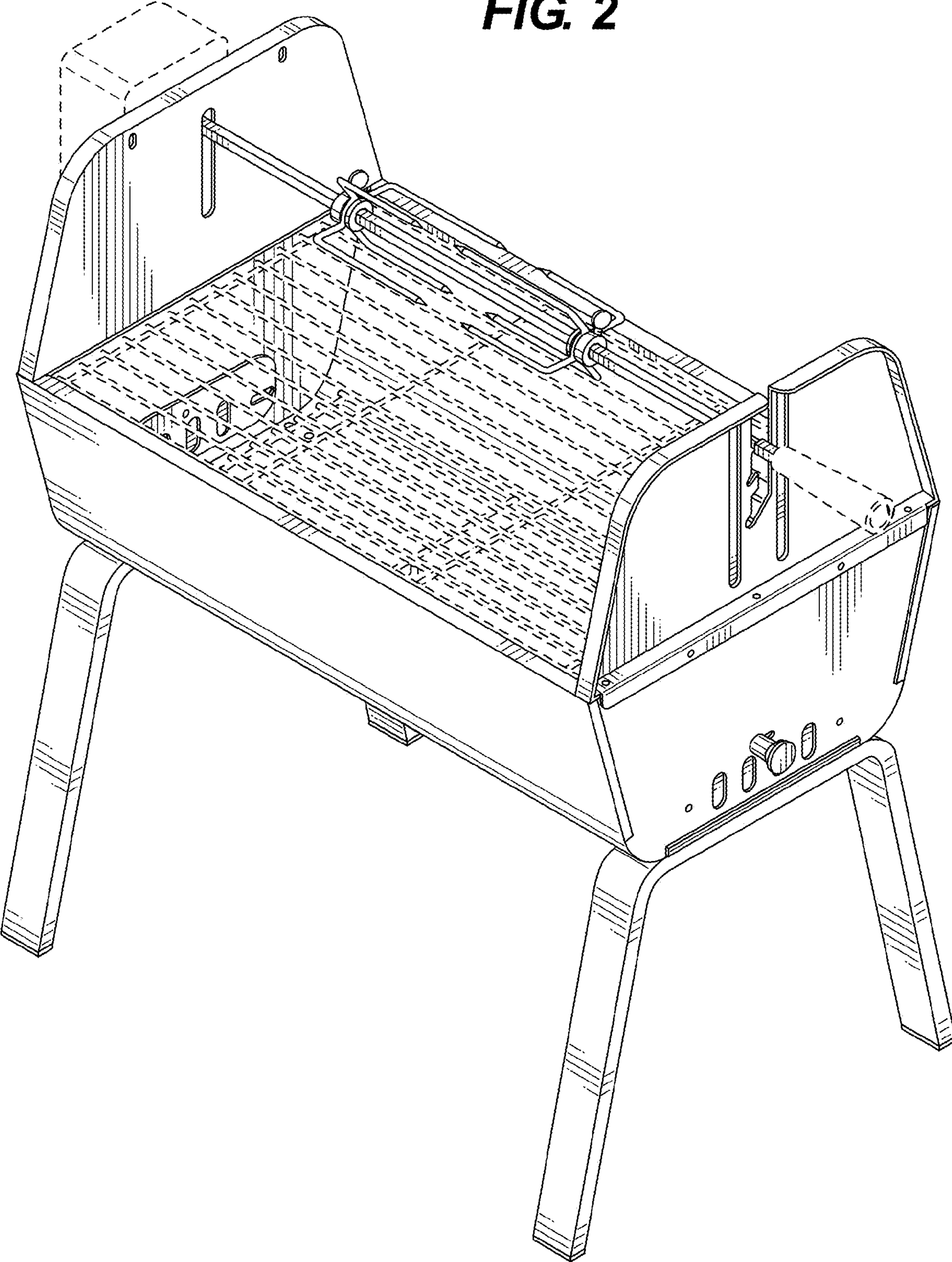
\* cited by examiner

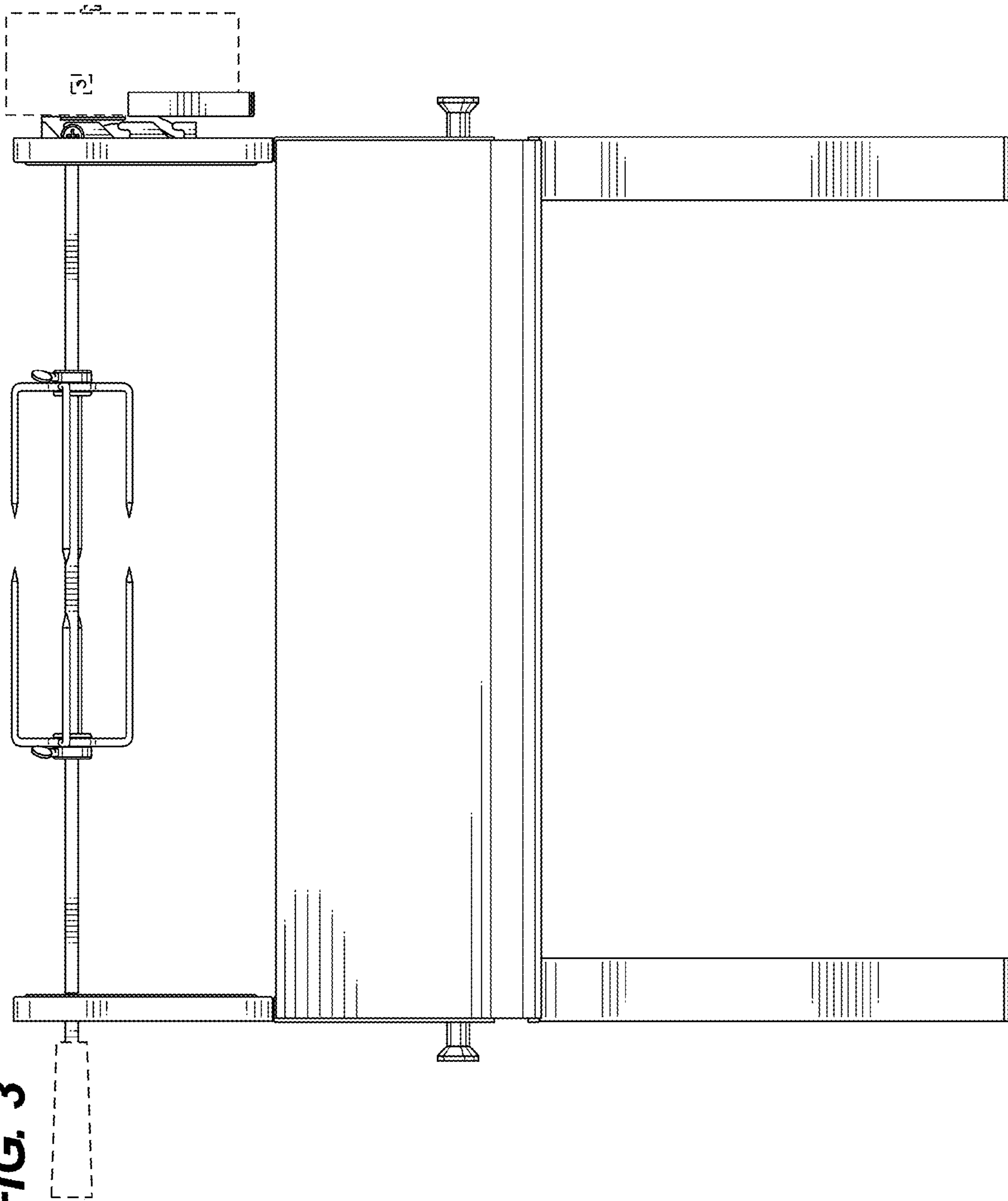
**FIG. 1**





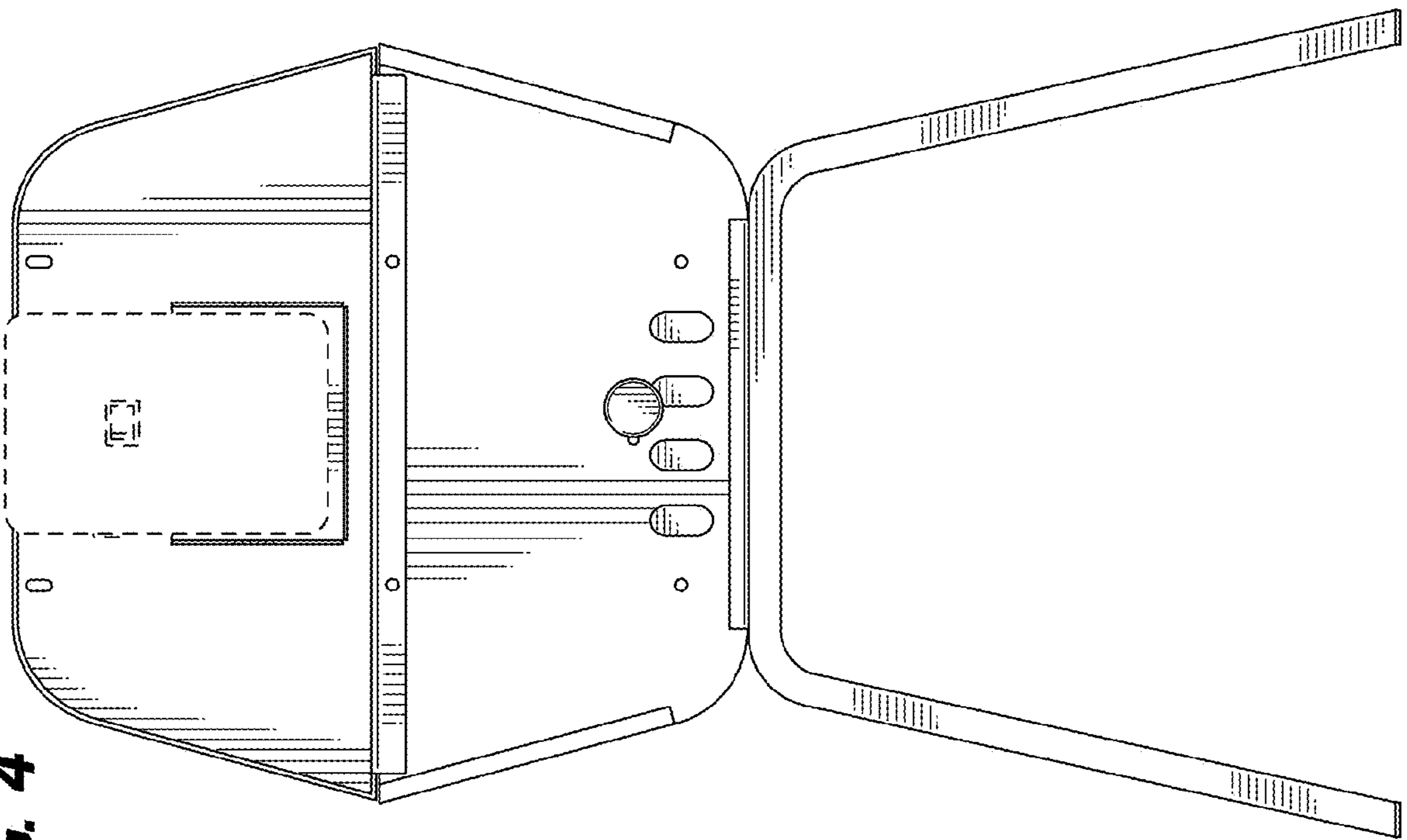
**FIG. 2**





**FIG. 3**

**FIG. 4**



**FIG. 5**

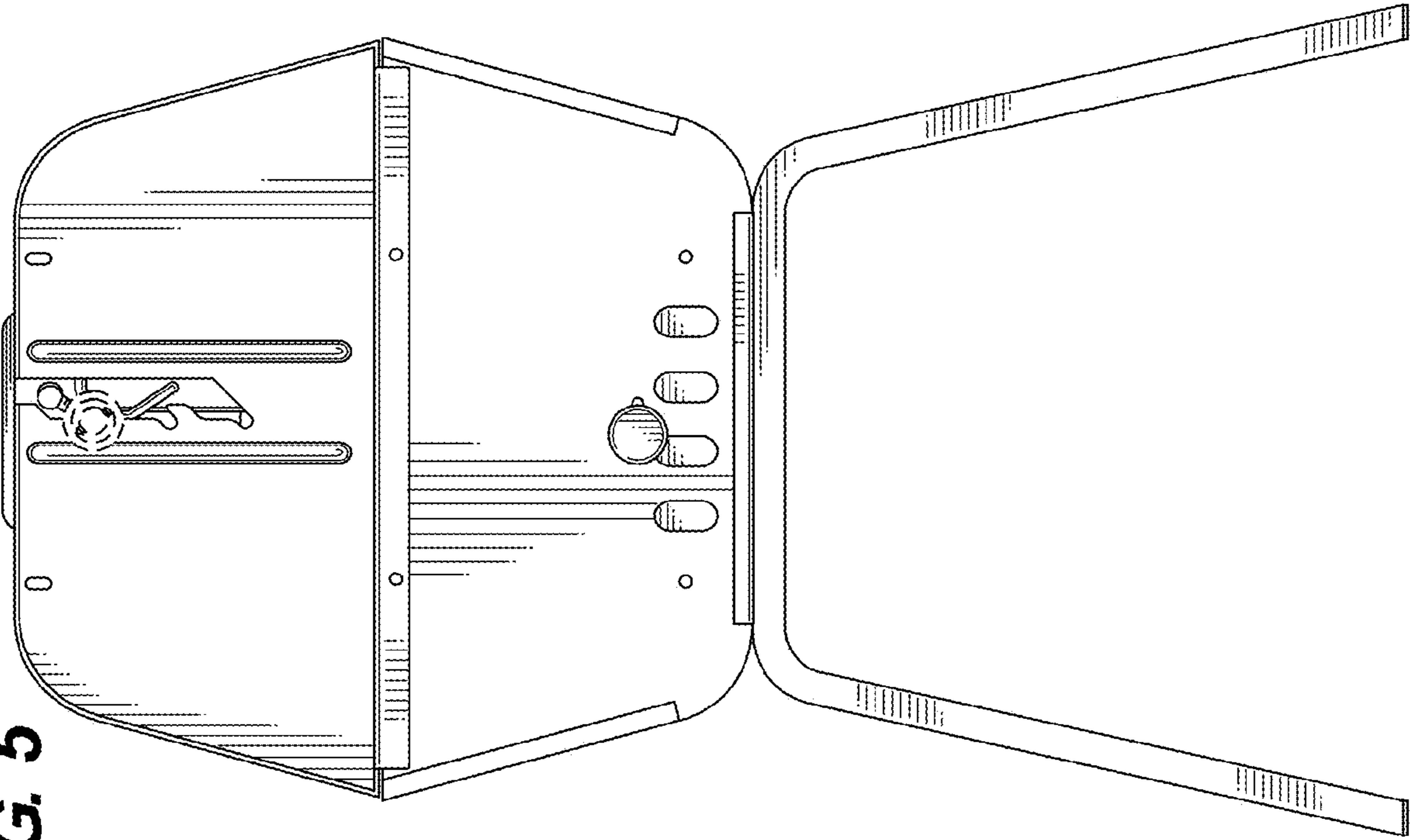
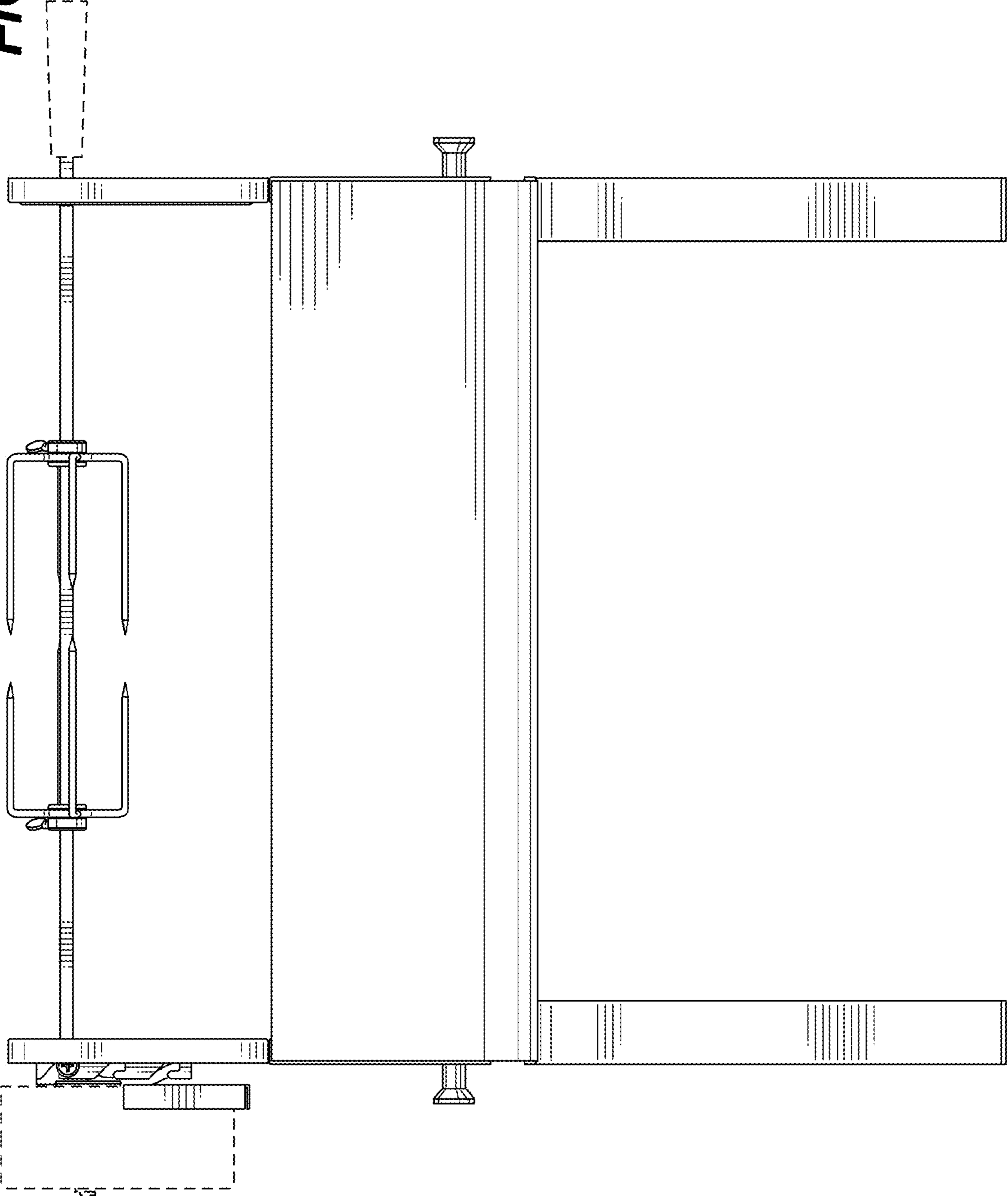
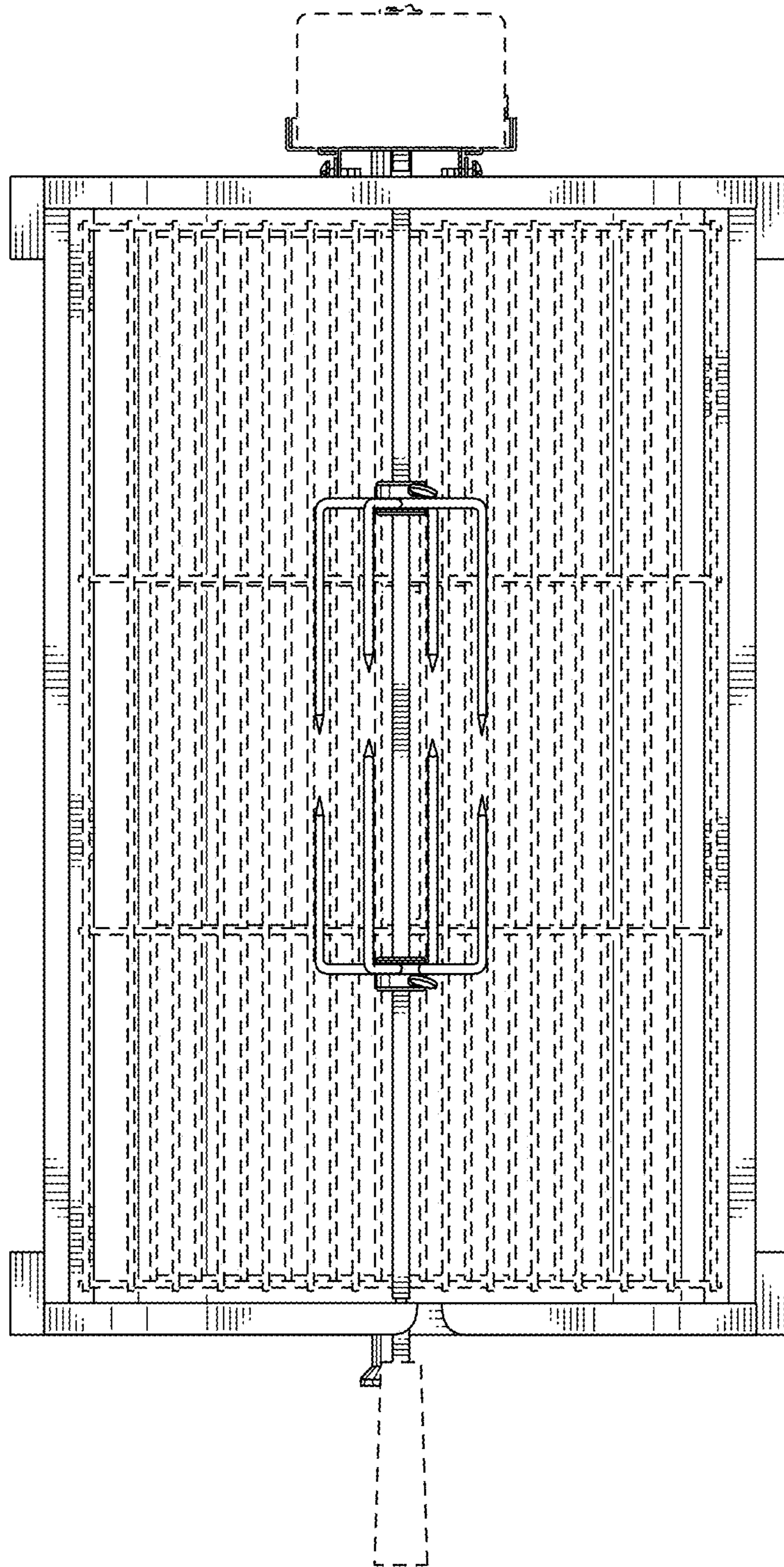


FIG. 6





**FIG. 7**



**FIG. 8**

