



US00D968868S

(12) **United States Design Patent**
Xia

(10) **Patent No.: US D968,868 S**

(45) **Date of Patent: ** Nov. 8, 2022**

(54) **OUTDOOR STOVE**

(71) Applicant: **Jindong Xia**, Jiangsu (CN)

(72) Inventor: **Jindong Xia**, Jiangsu (CN)

(**) Term: **15 Years**

(21) Appl. No.: **29/775,024**

(22) Filed: **Mar. 19, 2021**

(51) **LOC (13) Cl. 07-02**

(52) **U.S. Cl.**

USPC **D7/332**; D7/339; D23/343

(58) **Field of Classification Search**

USPC D7/332-338, 323, 402, 331; D23/342,
D23/343, 332

CPC A47J 37/07; A47J 37/0704; A47J 37/0745;
A47J 37/0763; A47J 2037/0777; A47J
33/00; A47J 37/041; A47J 37/0786; F24C
1/16; F24C 3/14; F24B 1/202; F24B
1/205; A23B 4/052

See application file for complete search history.

(56) **References Cited**

U.S. PATENT DOCUMENTS

- 1,596,826 A * 8/1926 Gregory F24B 1/202
126/9 R
- 1,856,025 A * 4/1932 Carstenbrook F24B 1/202
126/29
- 2,922,414 A * 1/1960 Brender F24B 1/202
D7/332
- 3,005,451 A * 10/1961 Richart A47J 37/06
126/304 R
- 3,489,131 A * 1/1970 Richins F24B 1/205
126/9 R
- 5,119,799 A * 6/1992 Cowan F24B 1/205
126/65
- D769,667 S * 10/2016 Ting D7/332

- D944,584 S * 3/2022 Jiang D23/343
- D950,297 S * 5/2022 Jiang D7/337
- 2022/0160166 A1 * 5/2022 Zhang F24B 1/205

FOREIGN PATENT DOCUMENTS

- CN 305457288 * 11/2019
- CN 306608625 * 6/2021

OTHER PUBLICATIONS

Happybuy, Tent Wood Stove, May 22, 2020, Amazon, <https://www.amazon.com/Happybuy-17-5x14-7x10-6-Camping-Stainless-Portable/dp/B089216ZPR> (Year: 2020).*

Winnerwell, Nomad Medium Tent Stove, Nov. 20, 2017, Amazon, <https://www.amazon.com/Winnerwell-Portable-Precision-Stainless-Construction/dp/B077N25XGB> (Year: 2017).*

* cited by examiner

Primary Examiner — Brett Miller

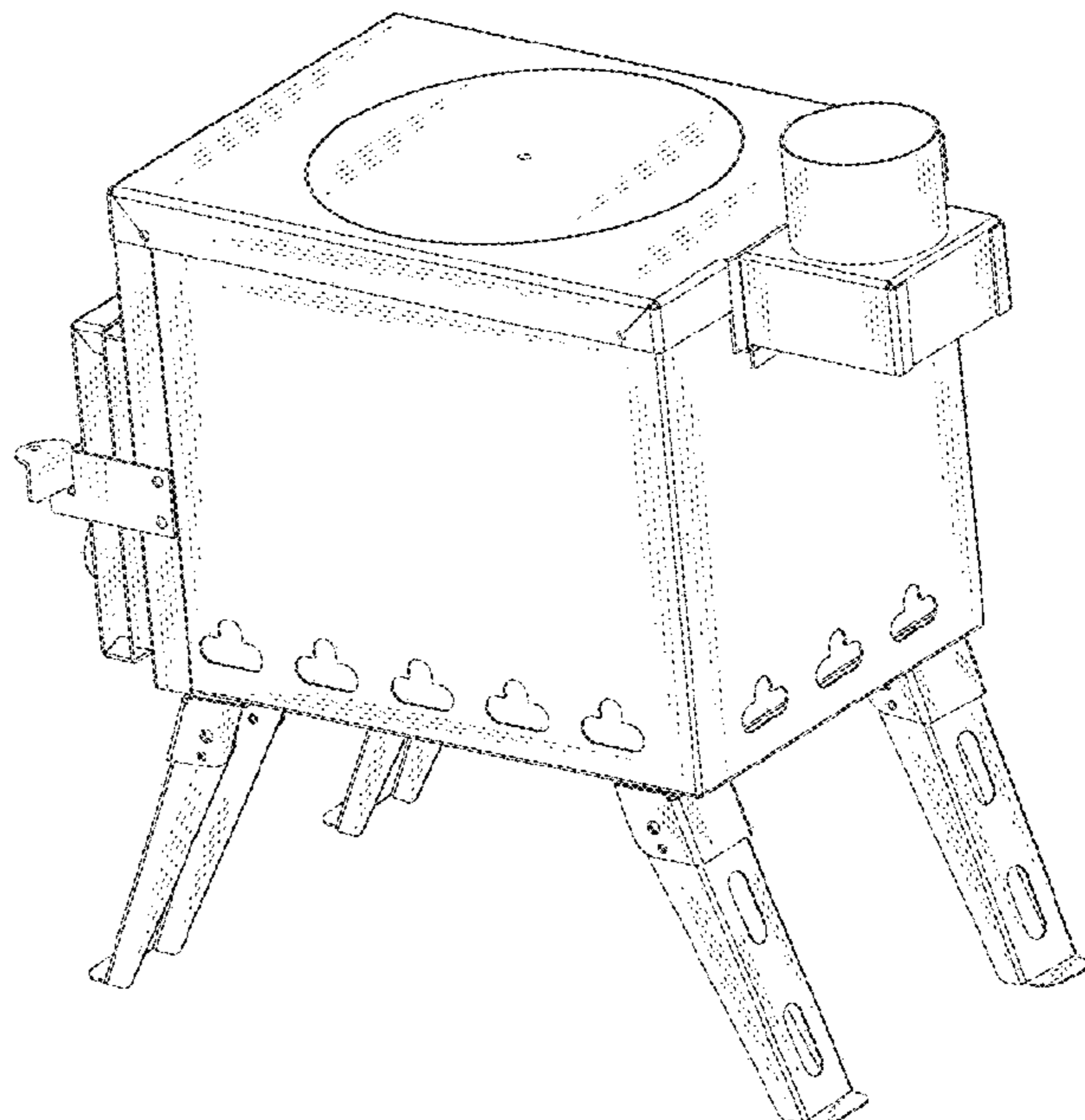
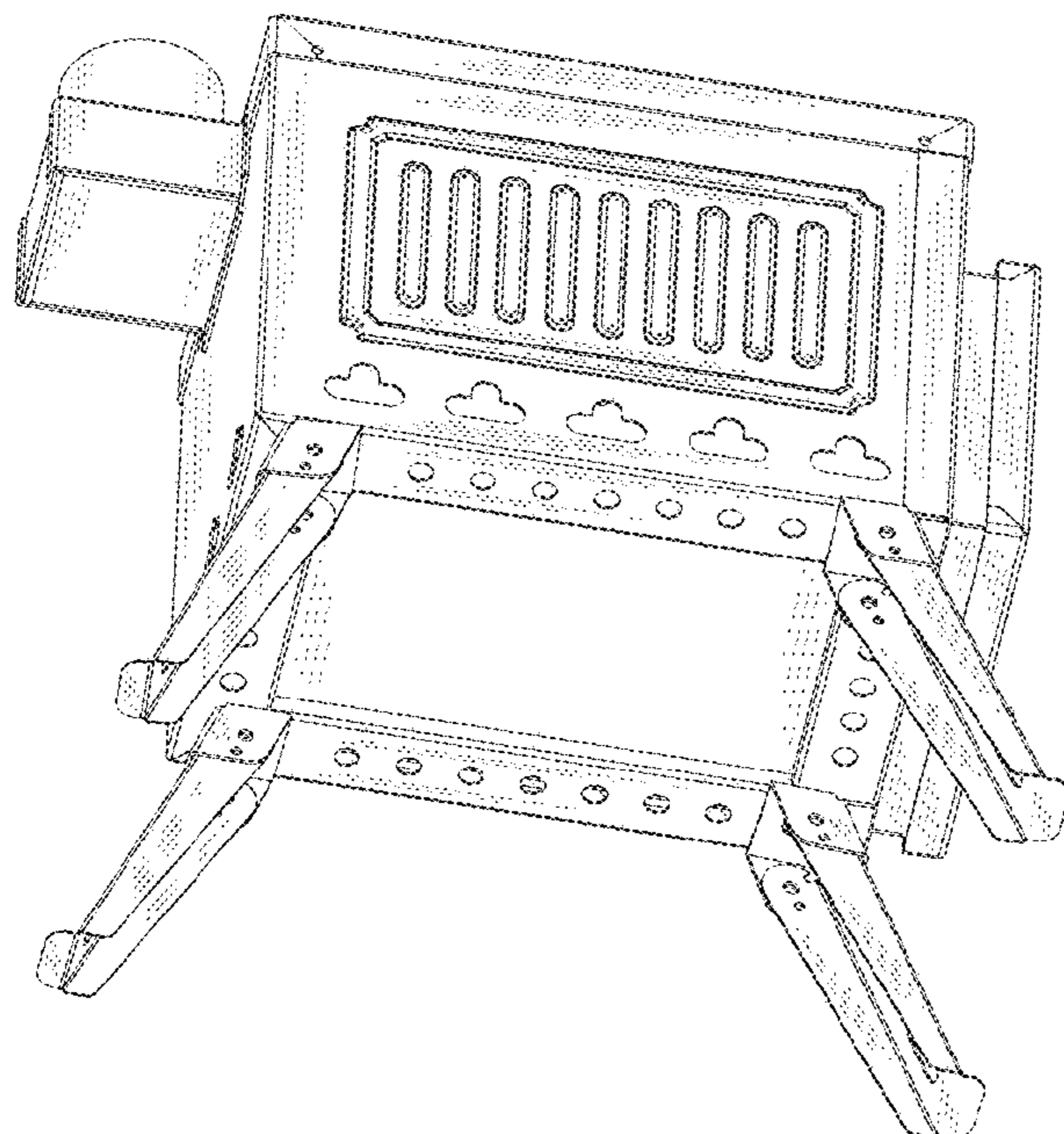
(57) **CLAIM**

The ornamental design for a outdoor stove, as shown and described.

DESCRIPTION

FIG. 1 is a left and bottom perspective view of a outdoor stove showing my new design;
FIG. 2 is a right and top perspective view thereof;
FIG. 3 is a front elevation view thereof;
FIG. 4 is a rear elevation view thereof;
FIG. 5 is a left side elevation view thereof;
FIG. 6 is a right side elevation view thereof;
FIG. 7 is a top plan view thereof; and,
FIG. 8 is a bottom plan view thereof.

1 Claim, 8 Drawing Sheets



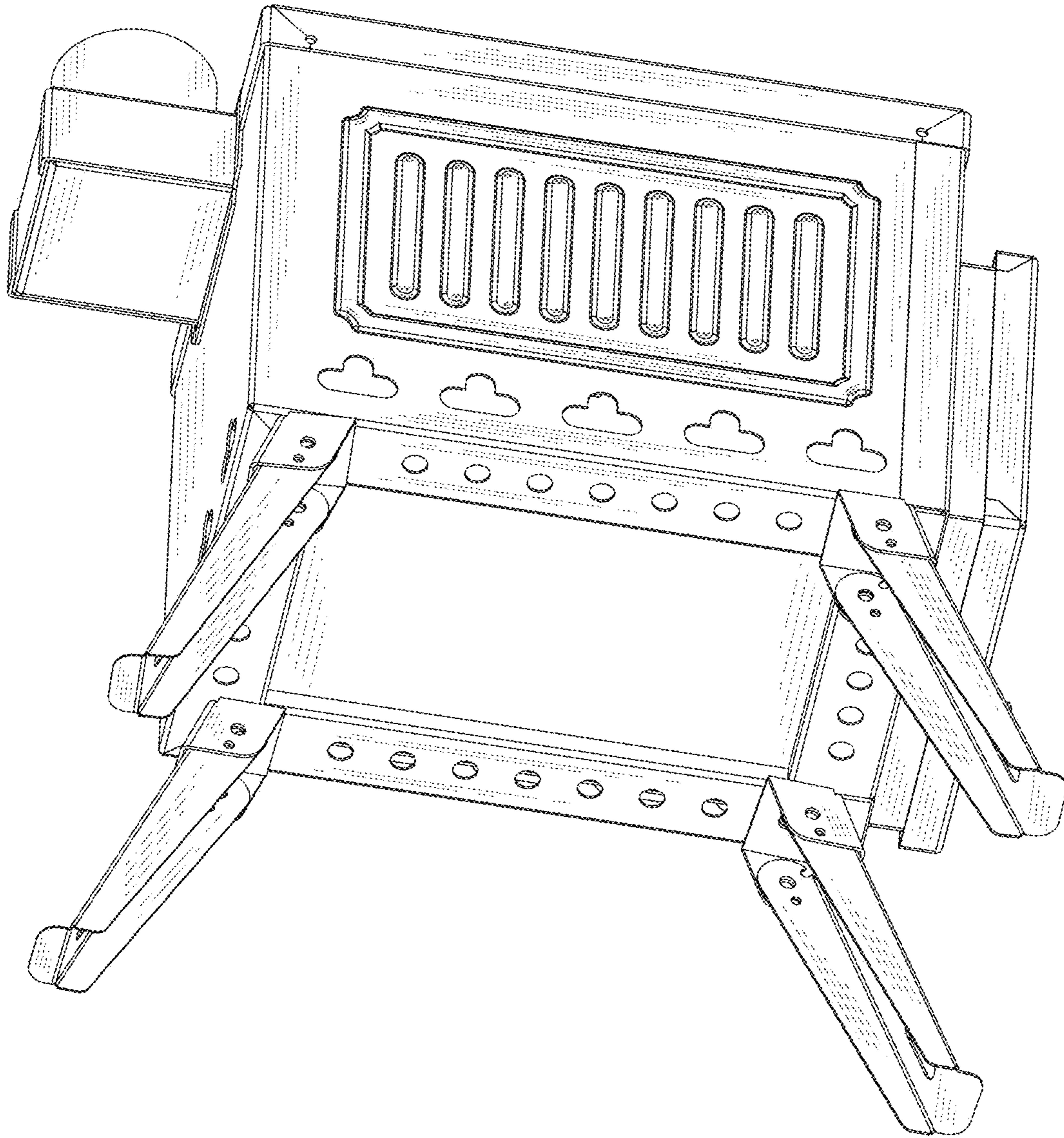


FIG.1

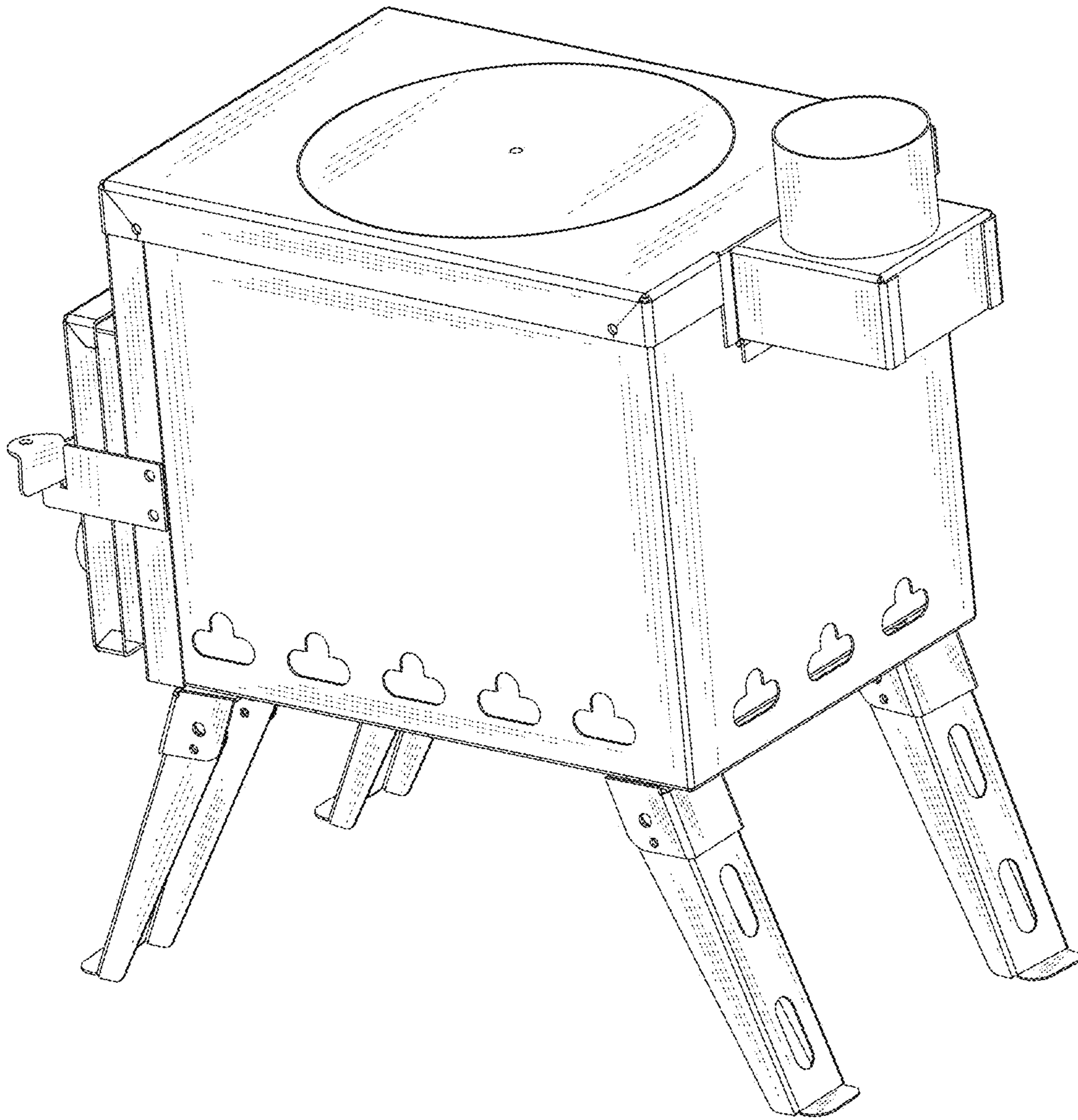


FIG.2

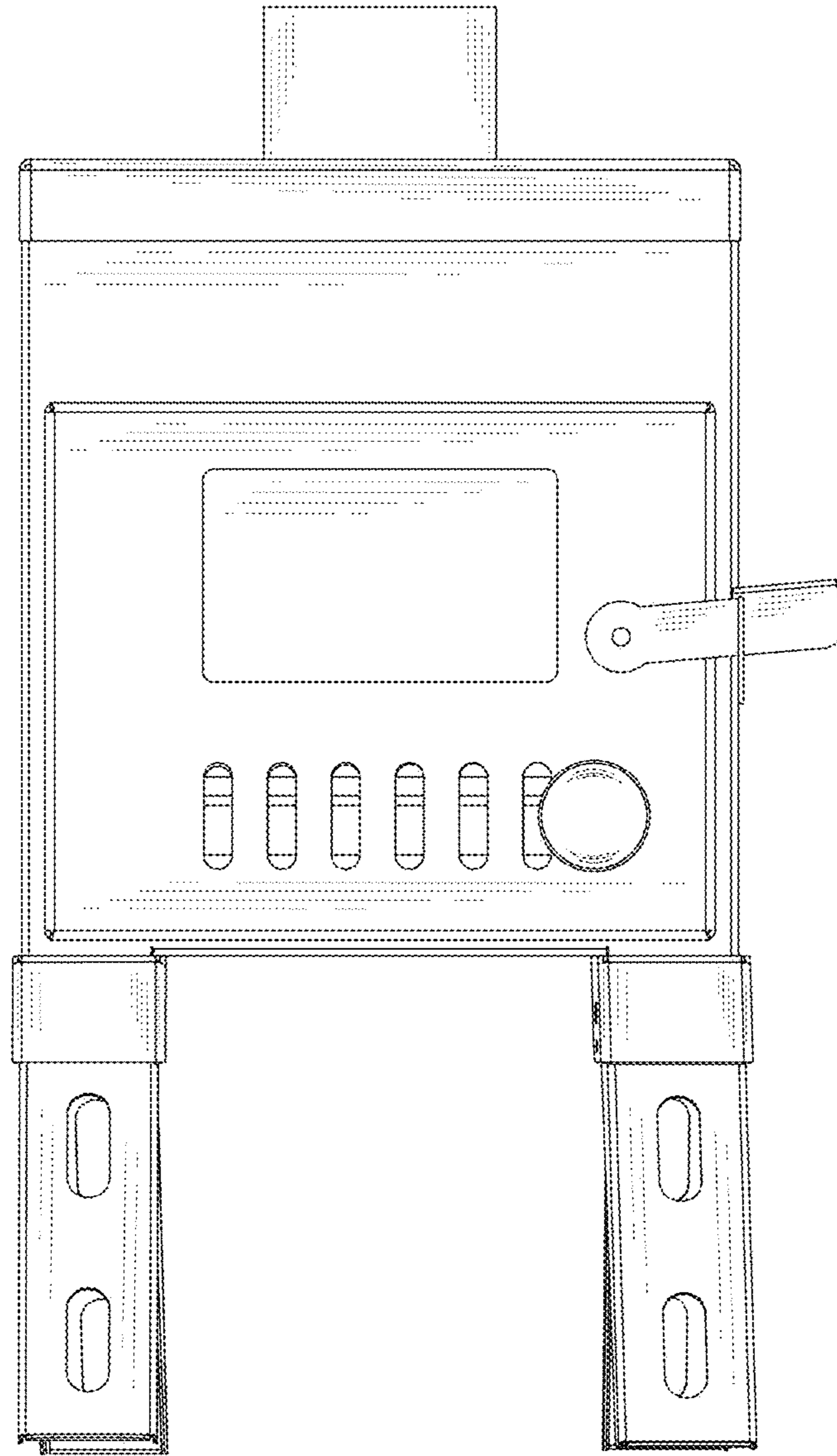


FIG.3

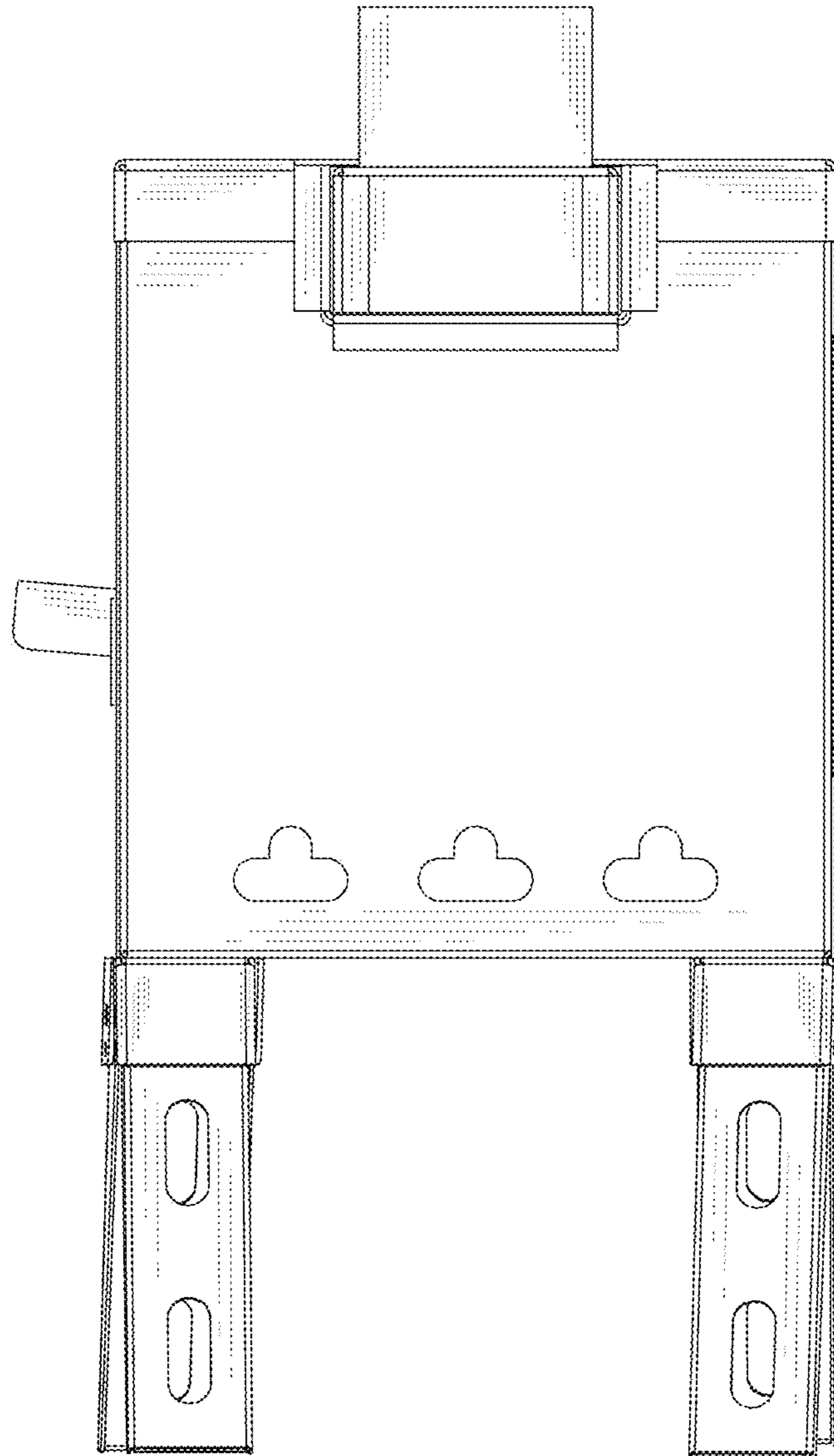


FIG.4

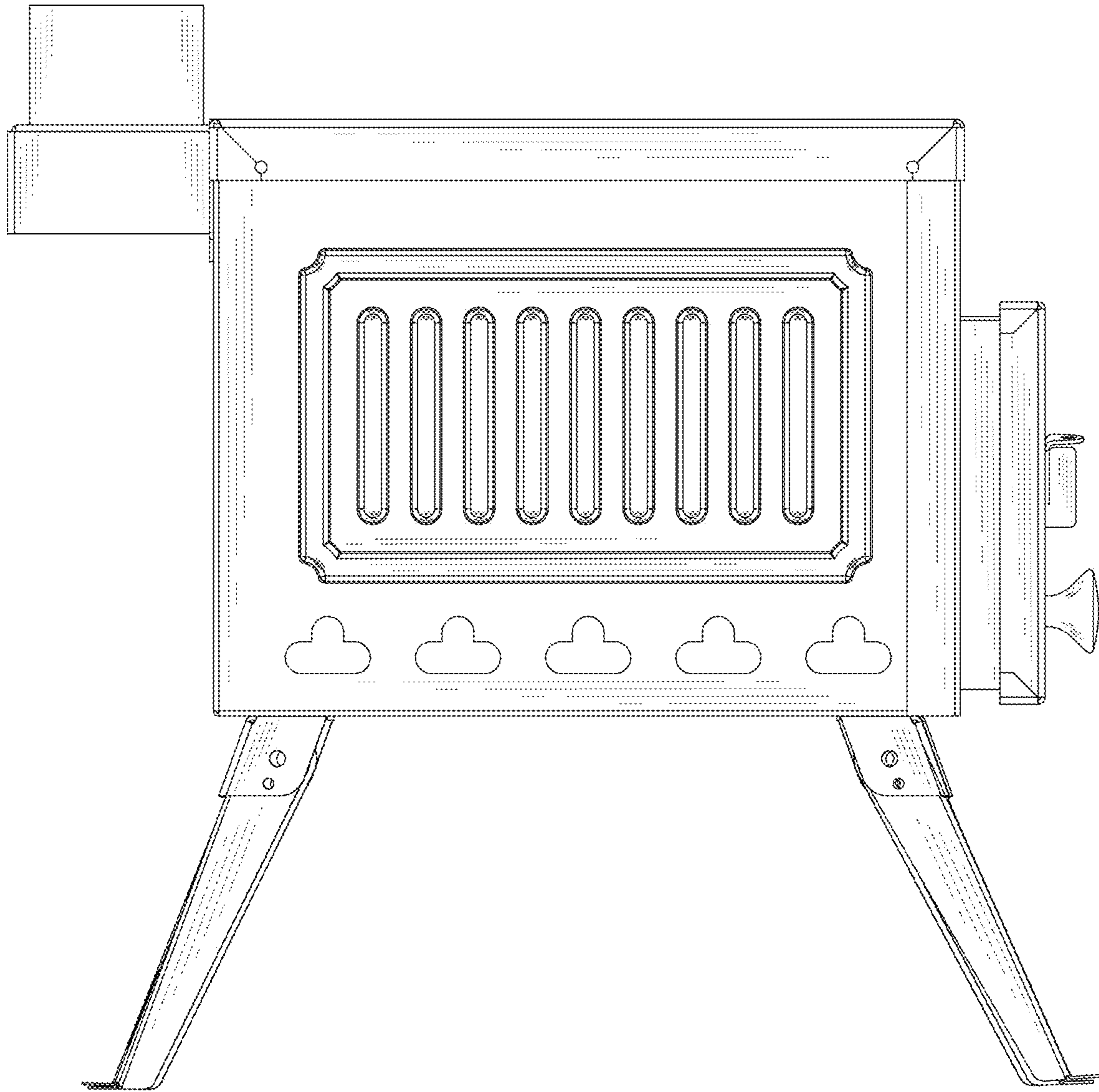


FIG.5

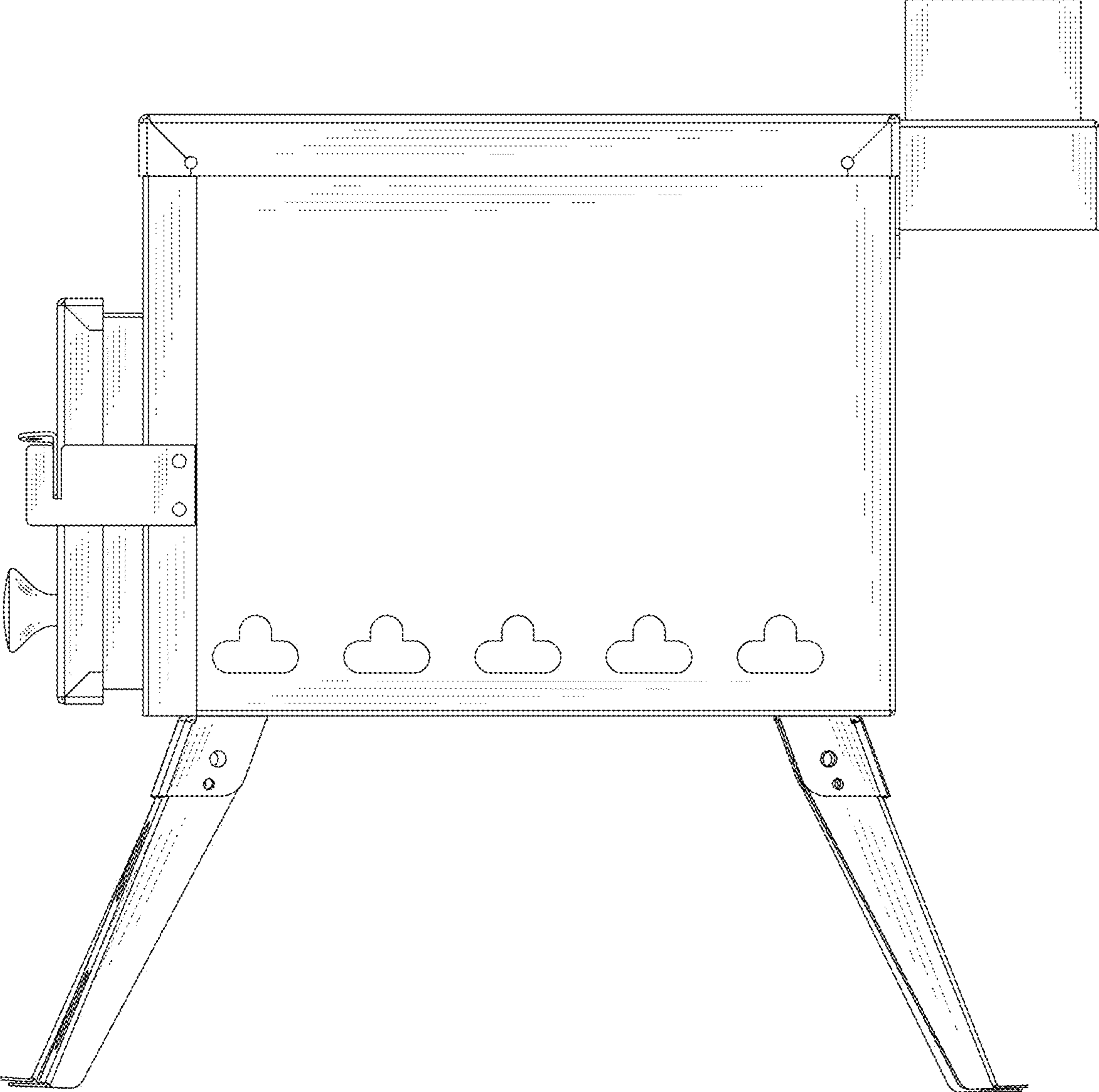


FIG.6

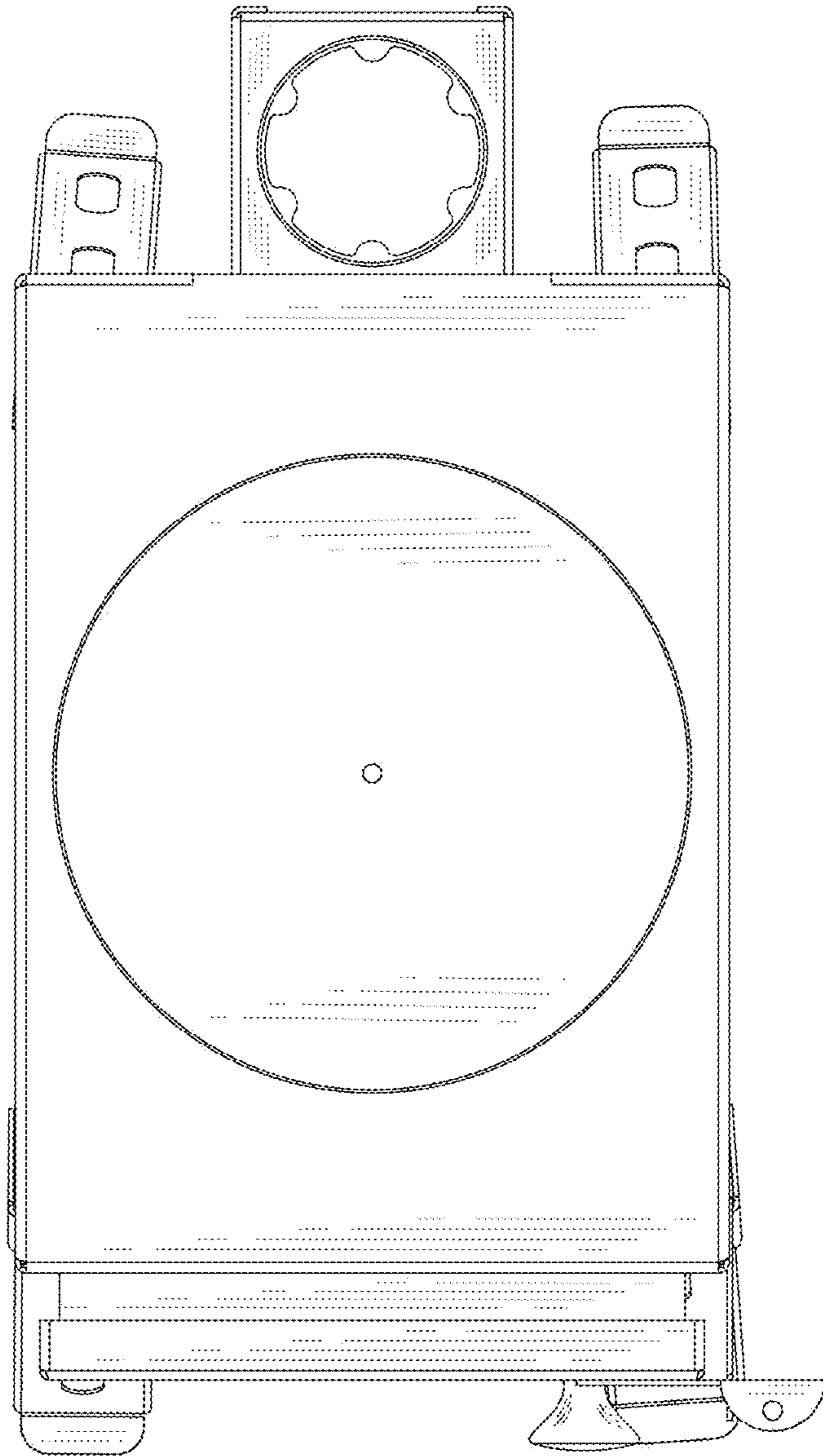


FIG. 7

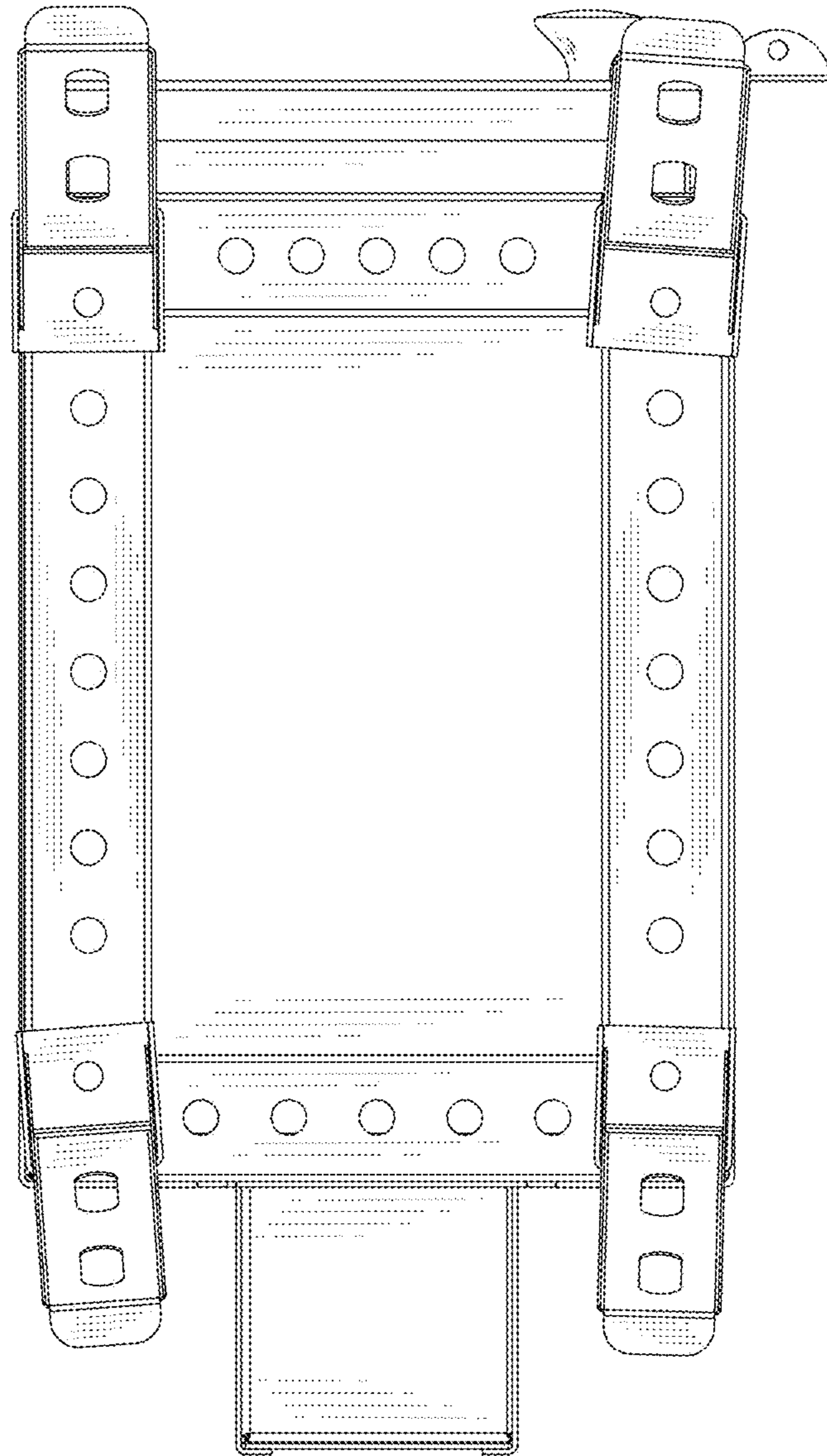


FIG. 8