



US00D968867S

(12) **United States Design Patent** (10) **Patent No.:** **US D968,867 S**
Wong (45) **Date of Patent:** **** Nov. 8, 2022**

(54) **OVEN**
(71) Applicant: **CONAIR CORPORATION**, Stamford, CT (US)
(72) Inventor: **Chi Ho Kurt Wong**, Yuen Long (HK)
(73) Assignee: **Conair LLC**, Stamford, CT (US)
(**) Term: **15 Years**
(21) Appl. No.: **29/769,541**

7,105,778 B1 * 9/2006 DeLong A47J 37/0635
99/357
D539,593 S 4/2007 Wang
D549,034 S * 8/2007 Garman D7/329
D570,638 S 6/2008 Barnes
D583,184 S * 12/2008 DeLong D7/329
D708,005 S * 7/2014 Kurt D7/350.4
D749,886 S * 2/2016 Prats D7/330
D788,514 S * 6/2017 Bock D7/329
D794,994 S 8/2017 Bond et al.
D848,197 S 5/2019 Wong
D910,363 S 2/2021 Wong
D911,093 S 2/2021 Man

(Continued)

(22) Filed: **Feb. 5, 2021**
(51) **LOC (13) Cl.** **07-02**
(52) **U.S. Cl.**
USPC **D7/329; D7/328; D7/330**
(58) **Field of Classification Search**
USPC D7/323, 328-330, 350.1, 350.4, 390
CPC ... A21B 2/00; A47J 37/00; A47J 37/06; A47J
37/0611; A47J 37/0635; A47J 37/08;
A47J 37/0807; A47J 37/0814; A47J
37/0835; A47J 37/0842; A47J 37/085;
A47J 37/0864; A47J 37/0878; A47J
37/0885; A47J 37/0892; F24C 15/10;
F24C 15/102
See application file for complete search history.

FOREIGN PATENT DOCUMENTS

CA 178379 6/2018
CA 191690 10/2020

(Continued)

Primary Examiner — Ricky Pham
(74) *Attorney, Agent, or Firm* — Ruggiero McAllister & McMahon LLC

(57) **CLAIM**

The ornamental design for an oven, as shown and described.

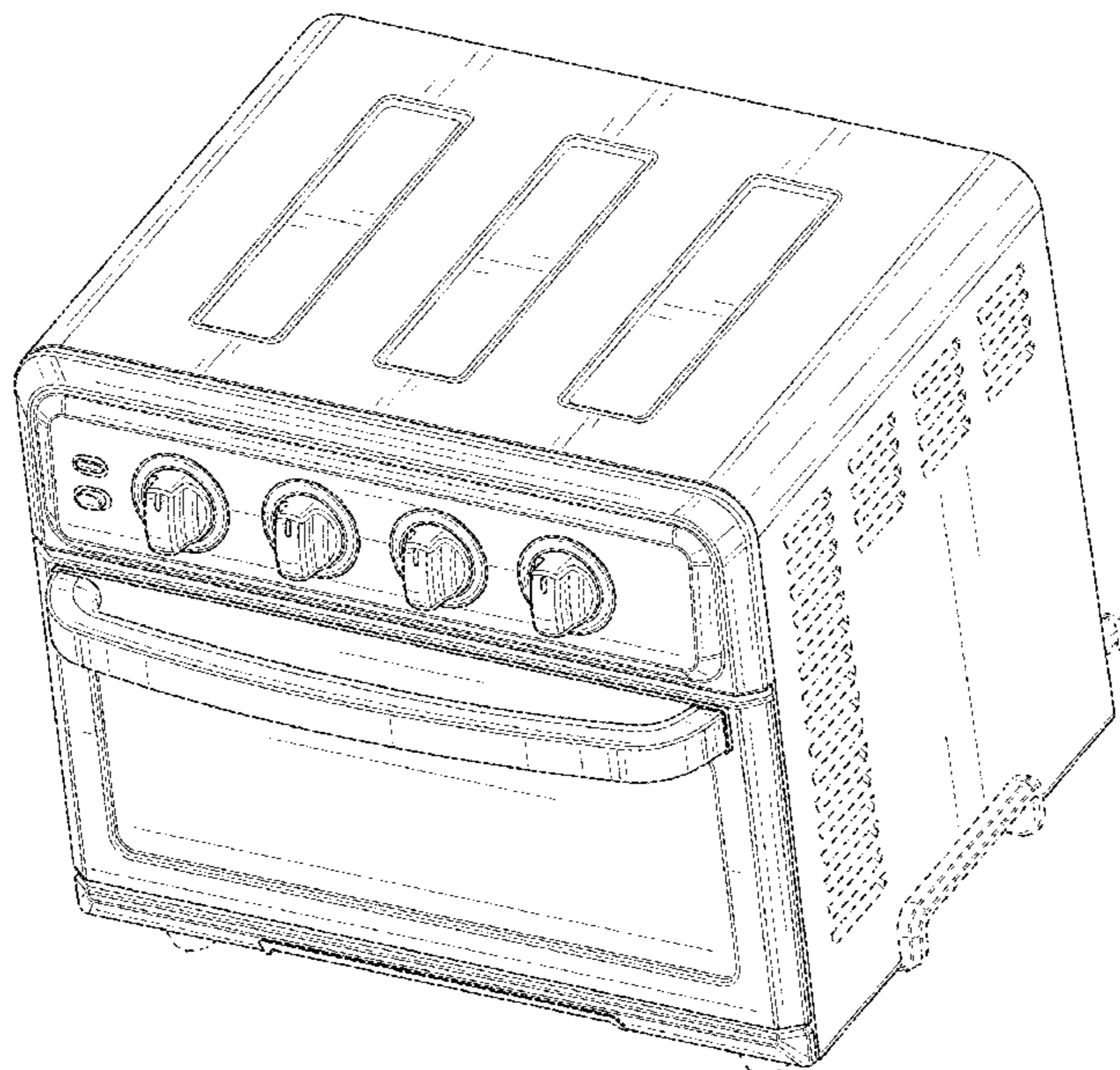
DESCRIPTION

FIG. 1 is a front perspective view of an ornamental design for an oven according to the present invention; FIG. 2 is a front elevational view of the oven of FIG. 1; FIG. 3 is a rear elevational view of the oven of FIG. 1; FIG. 4 is a left side elevational view of the oven of FIG. 1; FIG. 5 is a right side elevational view of the oven of FIG. 1; FIG. 6 is a top plan view of the oven of FIG. 1; and, FIG. 7 is a bottom plan view of the oven of FIG. 1. The broken lines shown in FIGS. 1-7 are for the purpose of illustrating environmental structure and form no part of the claimed design.

(56) **References Cited**
U.S. PATENT DOCUMENTS

2,089,315 A 8/1937 Wheeler
2,343,347 A 3/1944 Turner
4,901,631 A 2/1990 Russell et al.
4,972,767 A 11/1990 Russell et al.
5,054,382 A 10/1991 Ward et al.
D323,094 S 1/1992 Russell et al.
5,735,191 A 4/1998 Russell et al.
D427,838 S * 7/2000 Lee D7/329
D453,281 S * 2/2002 Plumtre D7/330
D473,094 S 4/2003 Aeshbacher

1 Claim, 7 Drawing Sheets



(56)

References Cited

U.S. PATENT DOCUMENTS

D912,457 S * 3/2021 Miller D7/350.1
D913,028 S * 3/2021 Wong D7/350.4
D939,263 S * 12/2021 Kang D7/348

FOREIGN PATENT DOCUMENTS

CA 192790 10/2020
CA 194288 10/2020

* cited by examiner

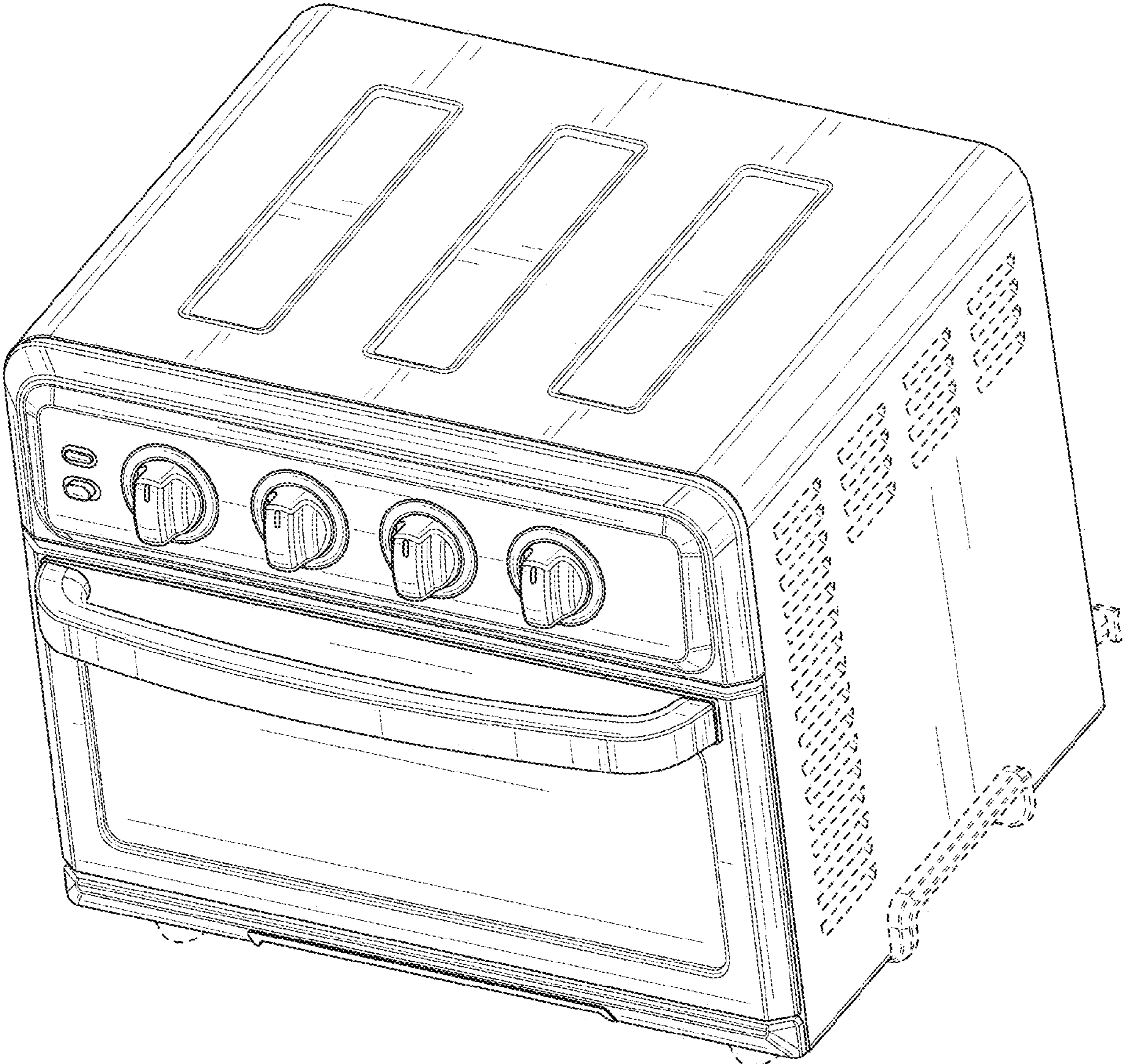


FIG. 1

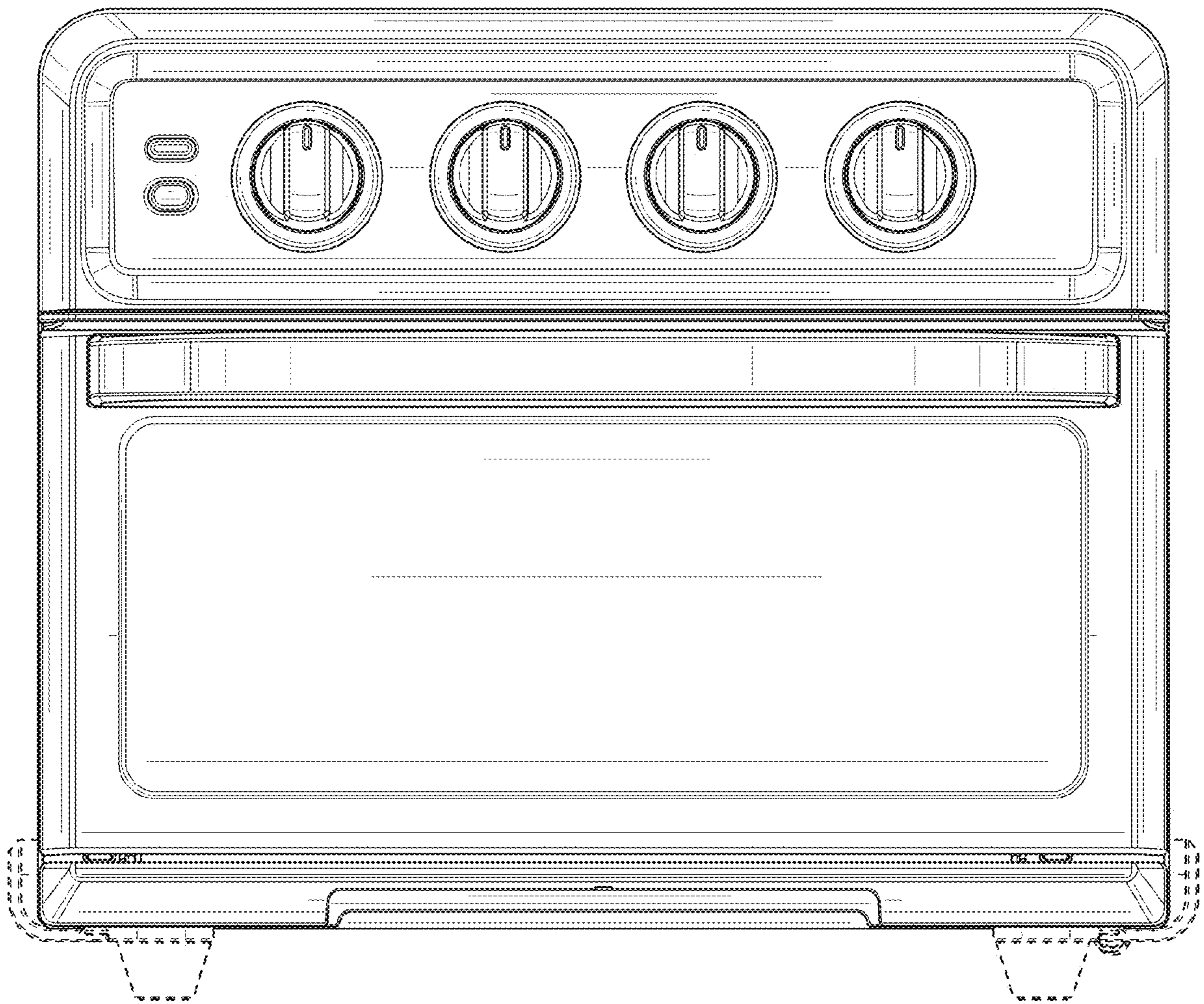


FIG. 2

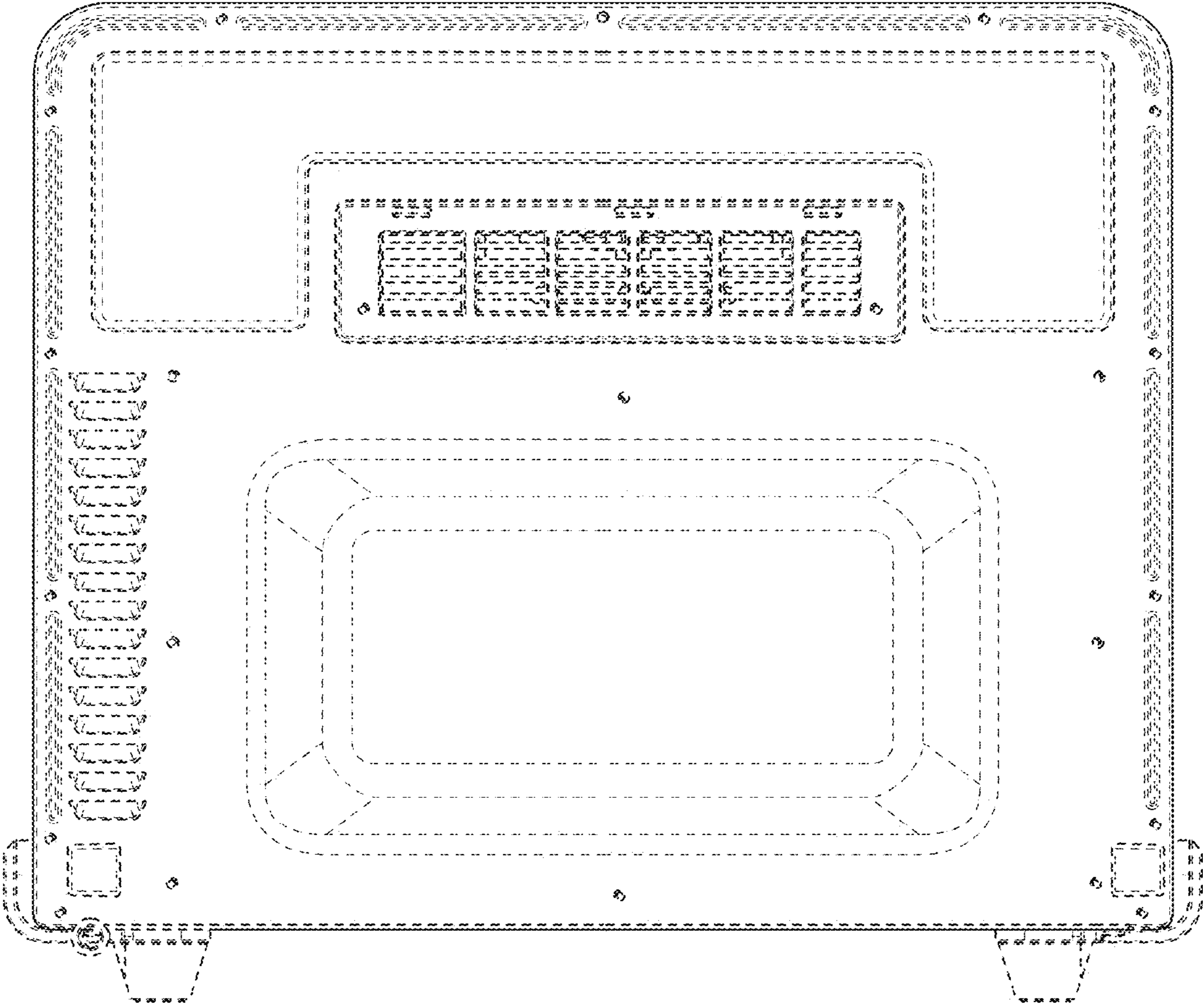


FIG. 3

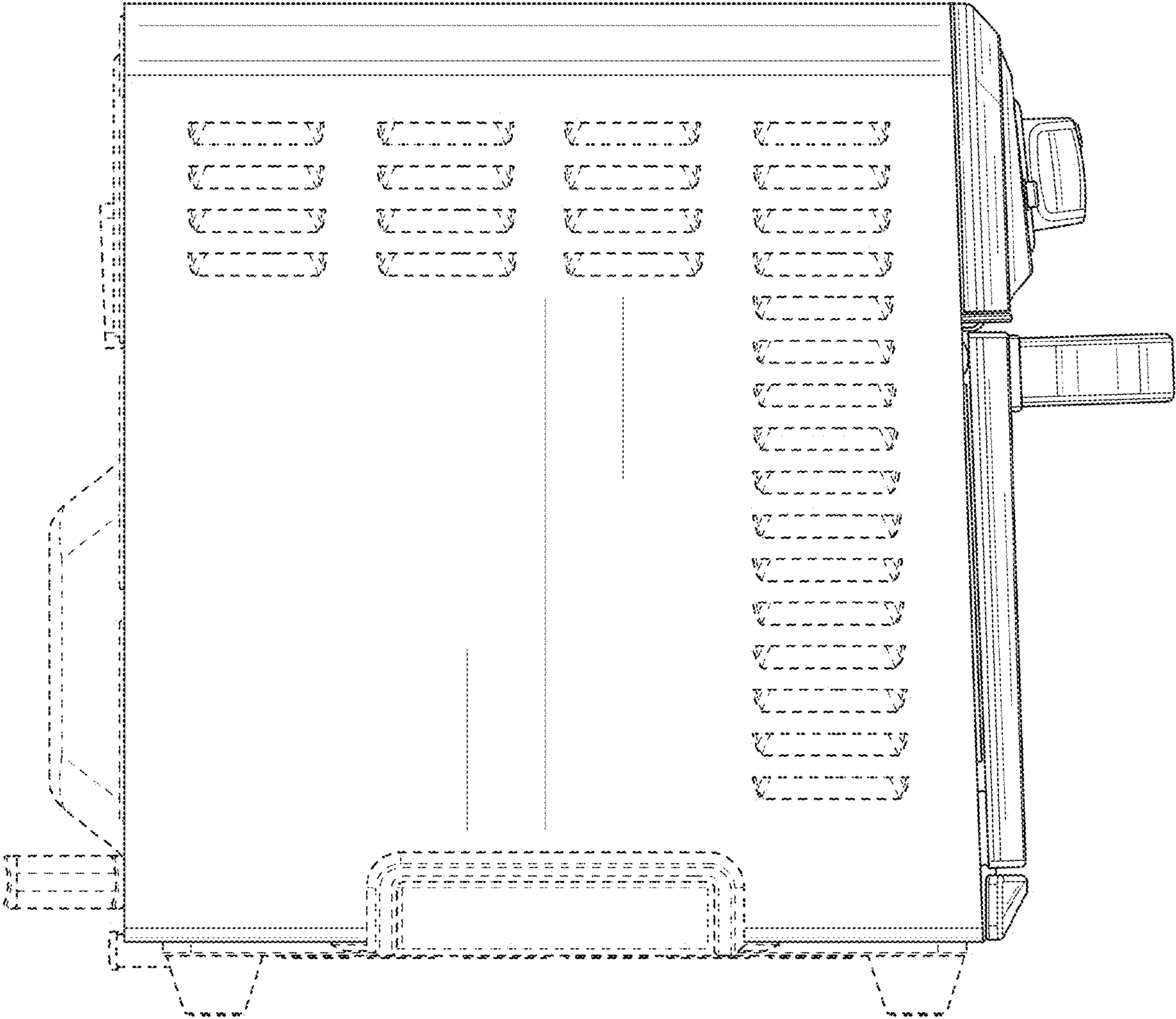


FIG. 4

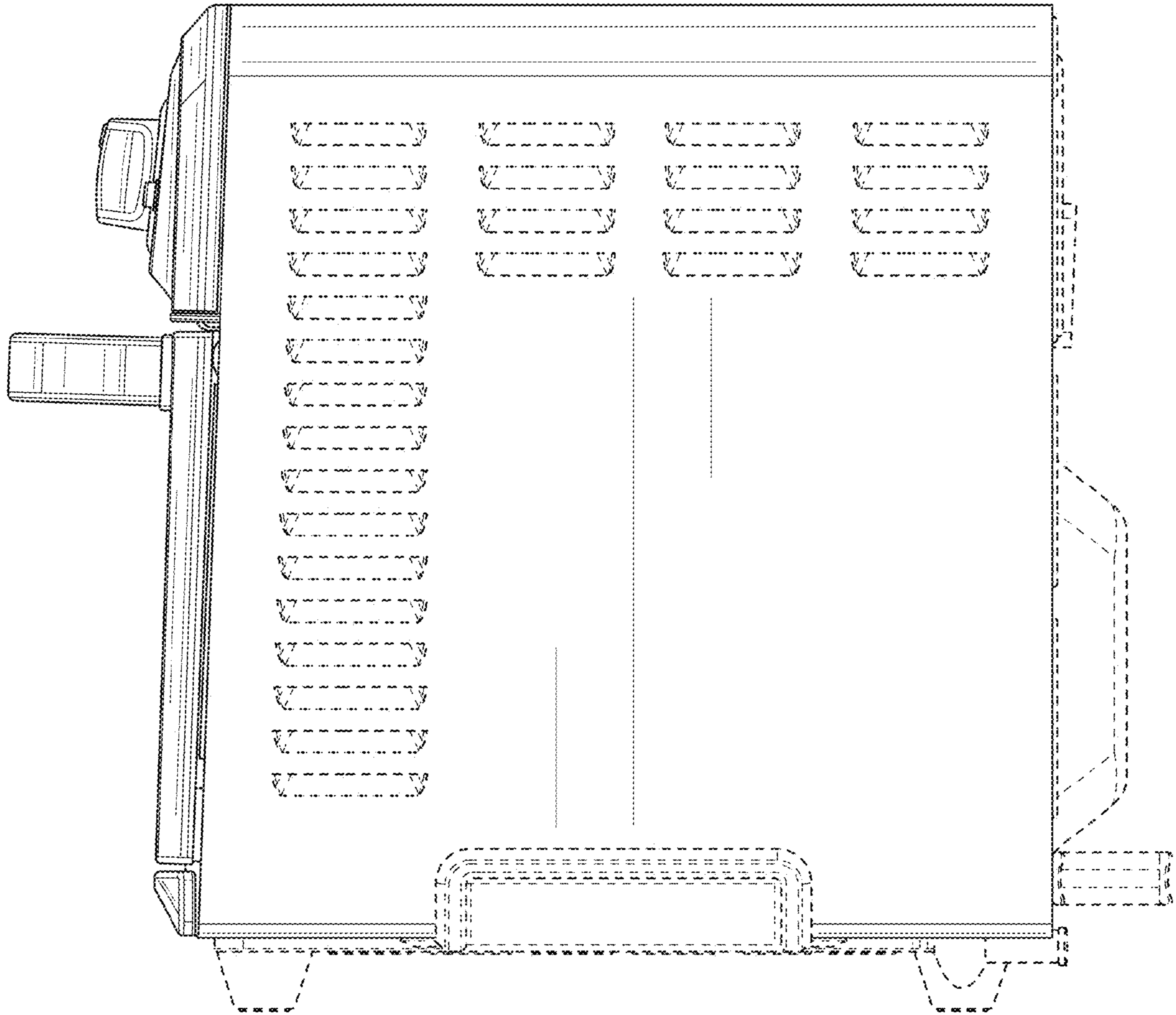


FIG. 5

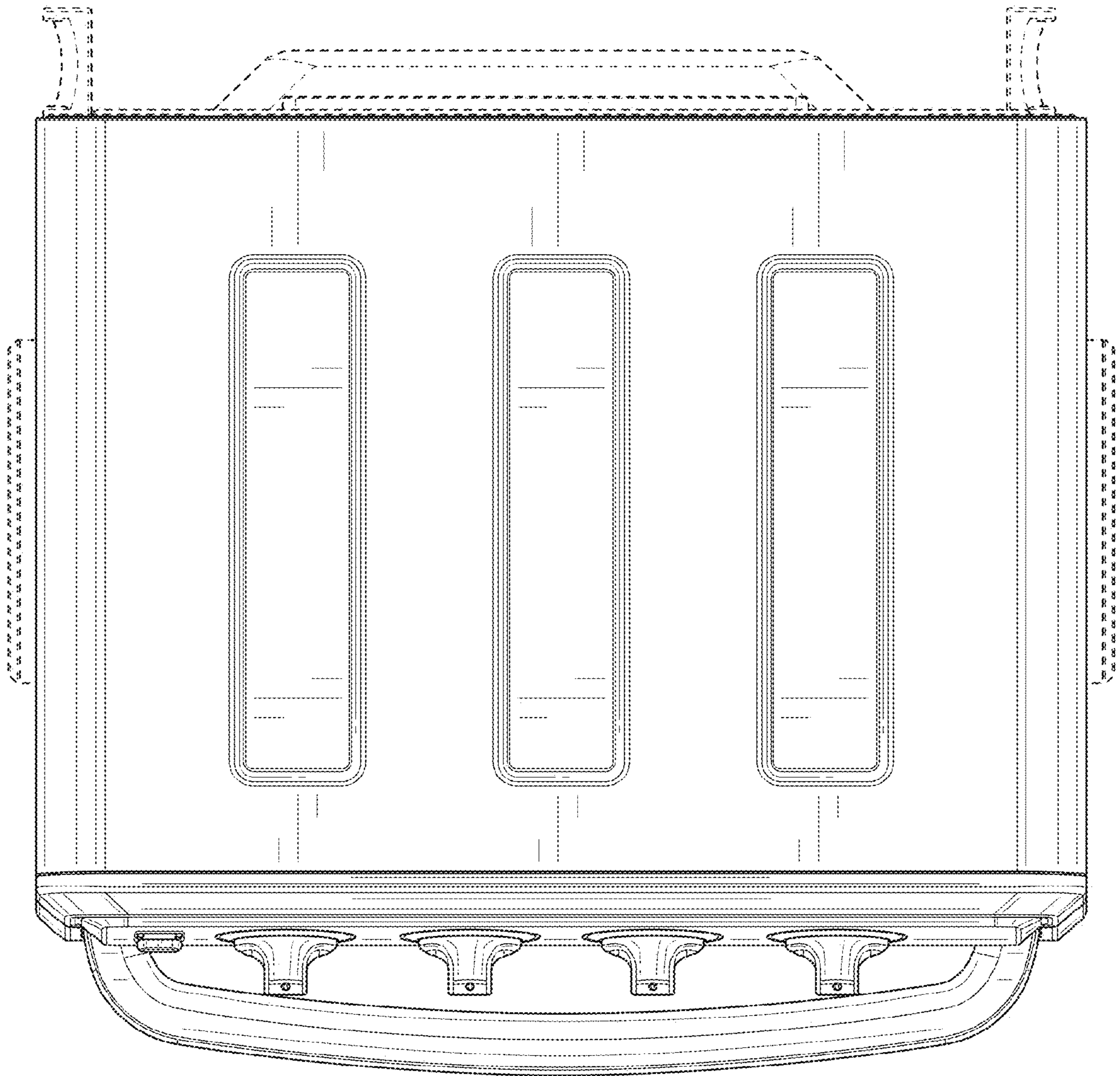


FIG. 6

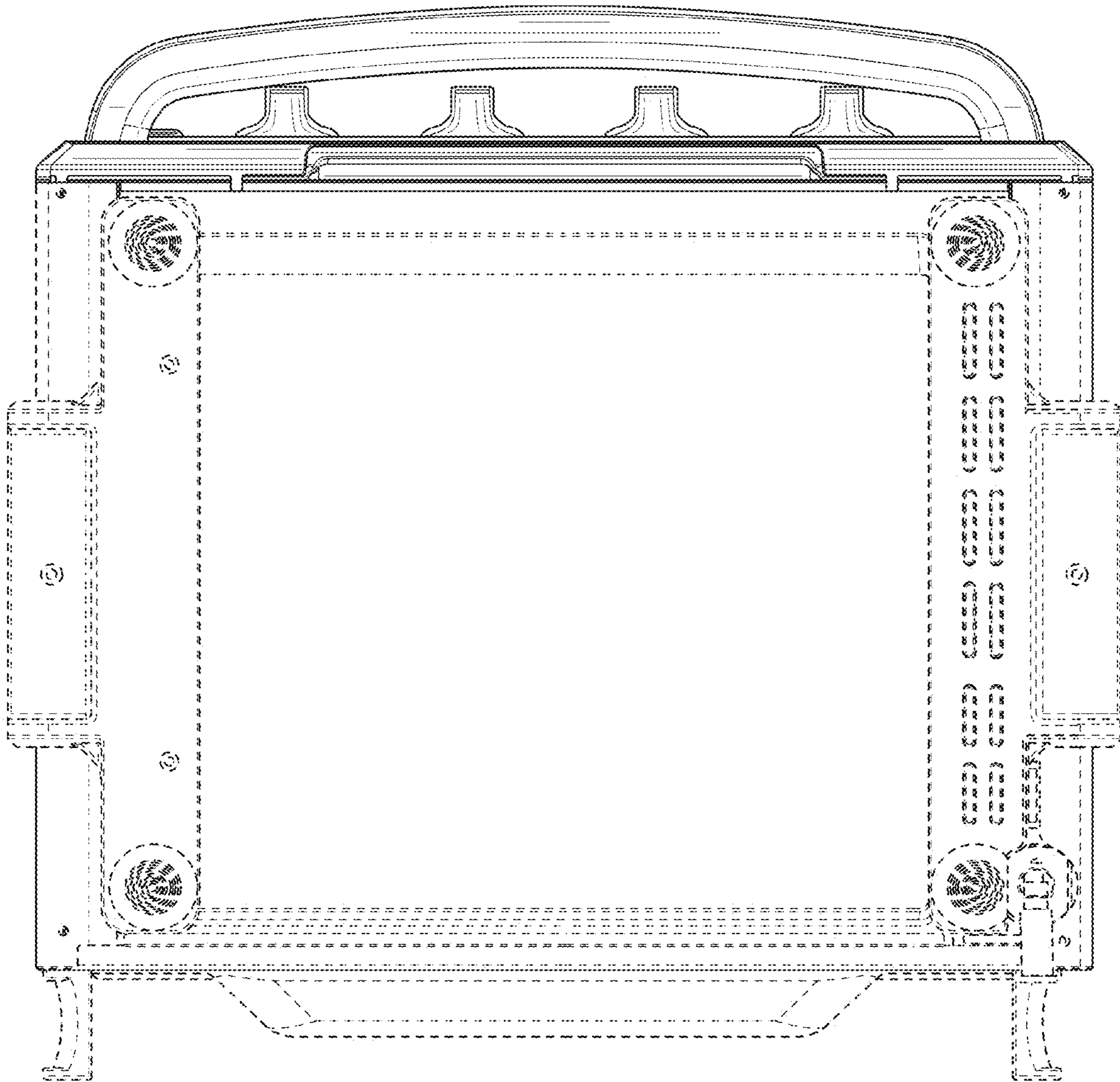


FIG. 7