



US00D968866S

(12) **United States Design Patent** (10) **Patent No.:** **US D968,866 S**
Xu (45) **Date of Patent:** **** Nov. 8, 2022**

(54) **TEACUP SET**

(71) Applicant: **WUYISHAN HONGTAI BAMBOO & WOOD PRODUCTS CO., LTD,**
Fujian (CN)

(72) Inventor: **Weixin Xu,** Fujian (CN)

(73) Assignee: **WUYISHAN HONGTAI BAMBOO & WOOD PRODUCTS CO., LTD,**
Fujian (CN)

(**) Term: **15 Years**

(21) Appl. No.: **29/812,454**

(22) Filed: **Oct. 21, 2021**

(51) **LOC (13) Cl.** **07-01**

(52) **U.S. Cl.**
USPC **D7/318; D7/361**

(58) **Field of Classification Search**
USPC D3/202; D7/300, 316-319, 321, 361,
D7/393, 396.4, 397-399, 507, 509-516,
(Continued)

(56) **References Cited**

U.S. PATENT DOCUMENTS

D185,416 S * 6/1959 Douglas D7/361
D216,409 S * 12/1969 Porciani D7/355
(Continued)

FOREIGN PATENT DOCUMENTS

CN 305639926 * 3/2020
JP D1428752 * 12/2011
JP D1590149 * 11/2017

OTHER PUBLICATIONS

HTB, "Cute and Lovely tea maker!" Aug. 3, 2021, Facebook,
www.facebook.com/hometravelbath/photos/pb.100067404226302.-
2207520000../152222403686920/?type=3 (Year: 2021).*

(Continued)

Primary Examiner — Joseph Kukella

Assistant Examiner — Arva P Adams

(74) *Attorney, Agent, or Firm* — ScienBiziP, P.C.

(57) **CLAIM**

The ornamental design for a teacup set, as shown and described.

DESCRIPTION

FIG. 1 is a front, right and top perspective view of a teacup set showing my design.

FIG. 2 is an exploded view of FIG. 1, wherein the teacup set comprises a cup lid, a cup, and a justice cup.

FIG. 3 is a front, right and top perspective view of the cup lid of the teacup set in FIG. 2.

FIG. 4 is a front elevation view of the cup lid of FIG. 3.

FIG. 5 is a rear elevation view of the cup lid of FIG. 3.

FIG. 6 is a left side elevation view of the cup lid of FIG. 3.

FIG. 7 is a right side elevation view of the cup lid of FIG. 3.

FIG. 8 is a top plan view of the cup lid of FIG. 3.

FIG. 9 is a bottom plan view of the cup lid of FIG. 3.

FIG. 10 is a front, right and top perspective view of the cup of the teacup set in FIG. 2.

FIG. 11 is a left side elevation view of the cup of FIG. 10.

FIG. 12 is a right side elevation view of the cup of FIG. 10.

FIG. 13 is a front elevation view of the cup of FIG. 10.

FIG. 14 is a rear elevation view of the cup of FIG. 10.

FIG. 15 is a top plan view of the cup of FIG. 10.

FIG. 16 is a bottom plan view of the cup of FIG. 10.

FIG. 17 is a front, right and top perspective view of the justice cup of the teacup set in FIG. 2.

FIG. 18 is a left side elevation view of the justice cup of FIG. 17.

FIG. 19 is a right side elevation view of the justice cup of FIG. 17.

FIG. 20 is a front elevation view of the justice cup of FIG. 17.

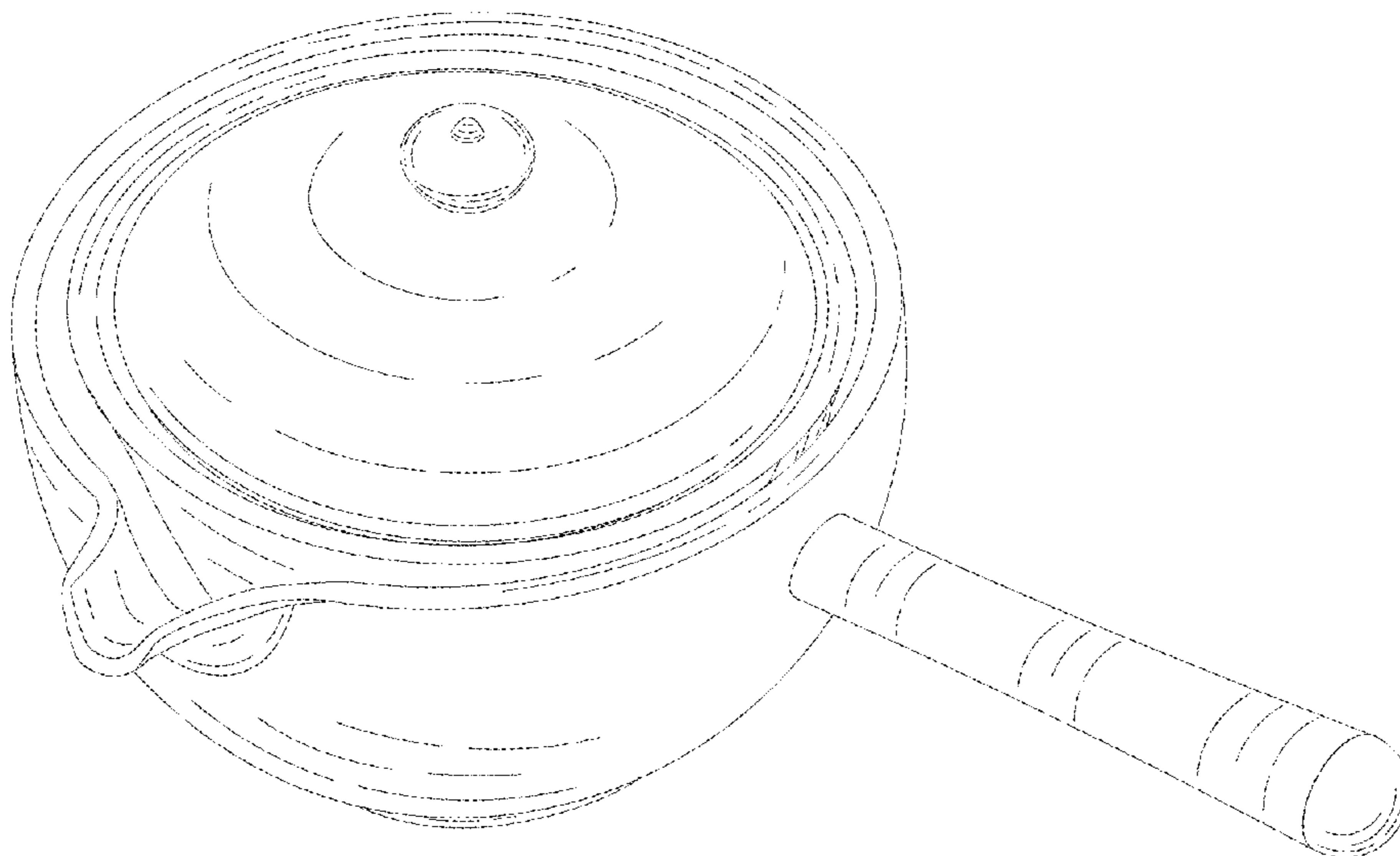
FIG. 21 is a rear elevation view of the justice cup of FIG. 17.

FIG. 22 is a top plan view of the justice cup of FIG. 17; and,

FIG. 23 is a bottom plan view of the justice cup of FIG. 17.

The broken lines shown in the drawings are included for the purpose of illustrating portions of the teacup set that form no part of the claimed design.

1 Claim, 23 Drawing Sheets



(58) **Field of Classification Search**

USPC D7/519, 520, 523–525, 533–538,
D7/543–545, 608, 623
CPC A47G 19/14; A47G 19/16; A47J 31/0626;
A47J 31/20; A47J 31/4407; A47J 31/446;
A47J 45/067

See application file for complete search history.

(56) **References Cited**

U.S. PATENT DOCUMENTS

5,363,745 A * 11/1994 Lin A47J 31/0636
220/230
D371,714 S * 7/1996 Lewis A47J 31/0636
D7/316
D427,005 S * 6/2000 Yee D7/312
D551,023 S * 9/2007 Natalino D7/533
D596,451 S * 7/2009 Wu D7/361
D669,309 S * 10/2012 de Klein D7/400

OTHER PUBLICATIONS

Tech4eu, “360 degree rotation tea-maker,” May 14, 2021, YouTube,
www.youtube.com/watch?v=3Oocg58SiVw (Year: 2021).*
DOPUDO, “DOPUDO Sundial Glass Teapot,” Jun. 24, 2021,
Amazon.com, www.amazon.com/DOPUDO-Borosilicate-Removable-Resistant-Blooming/dp/B097T8C4CP (Year: 2021).*

* cited by examiner

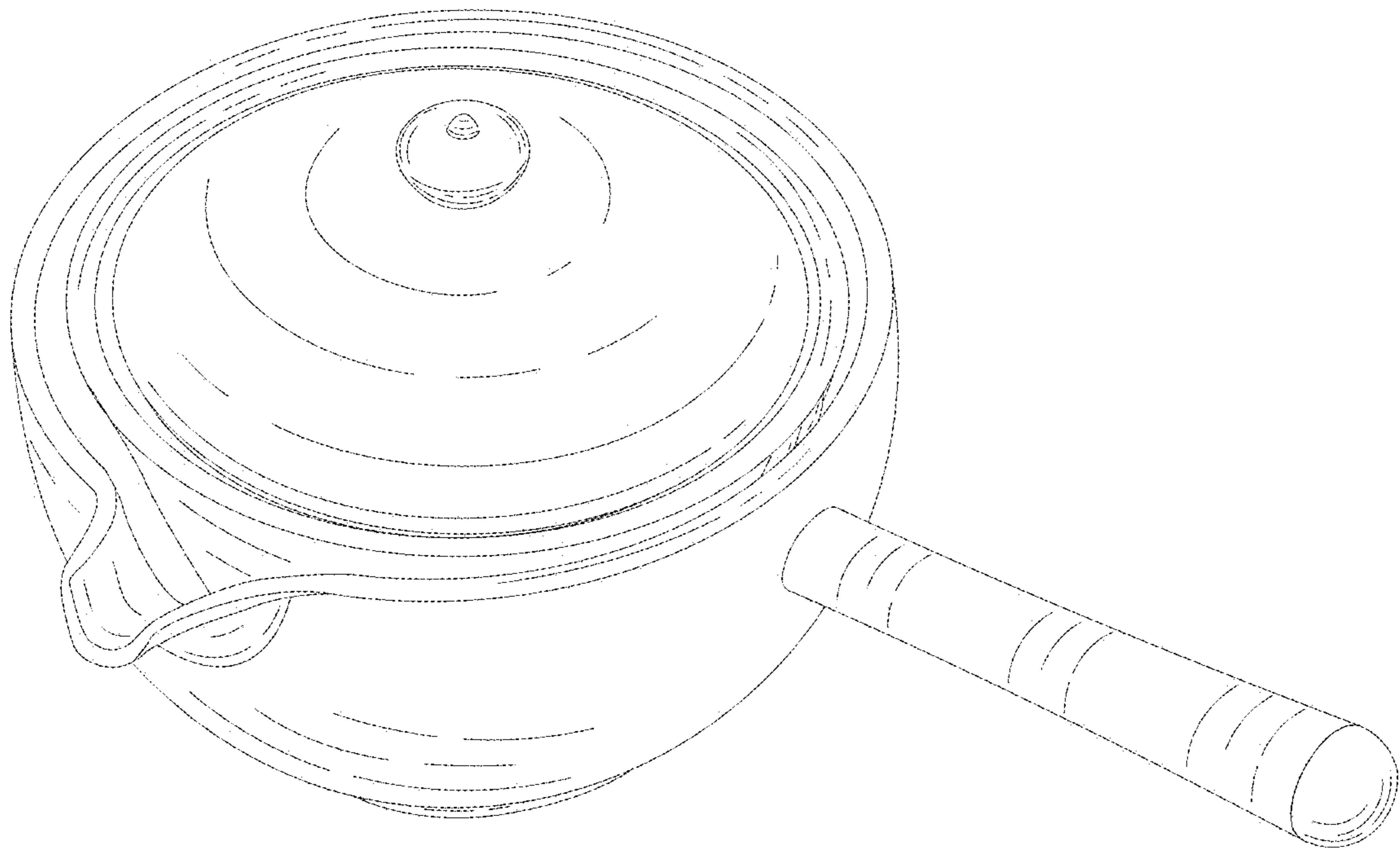


FIG. 1

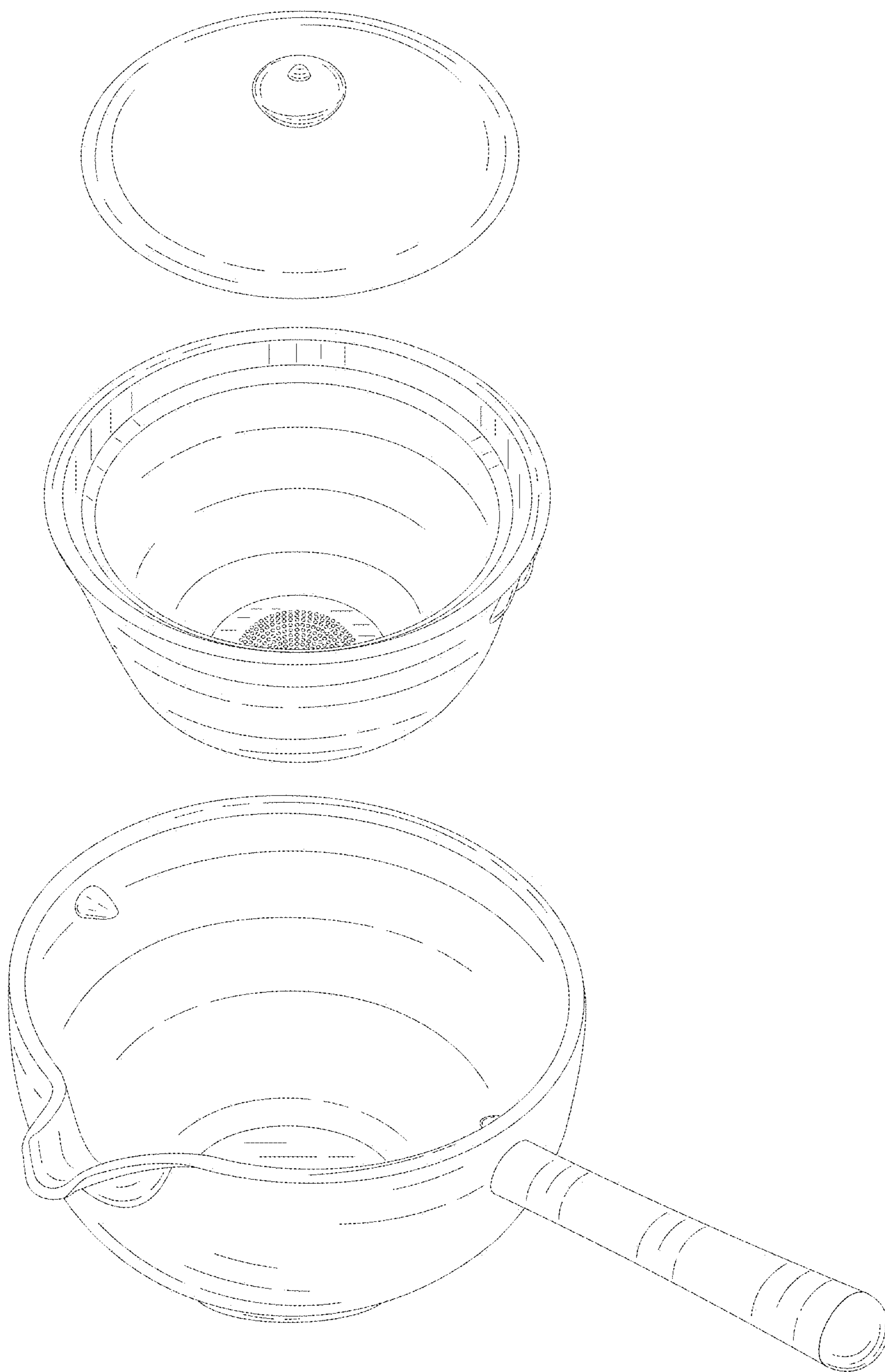


FIG. 2

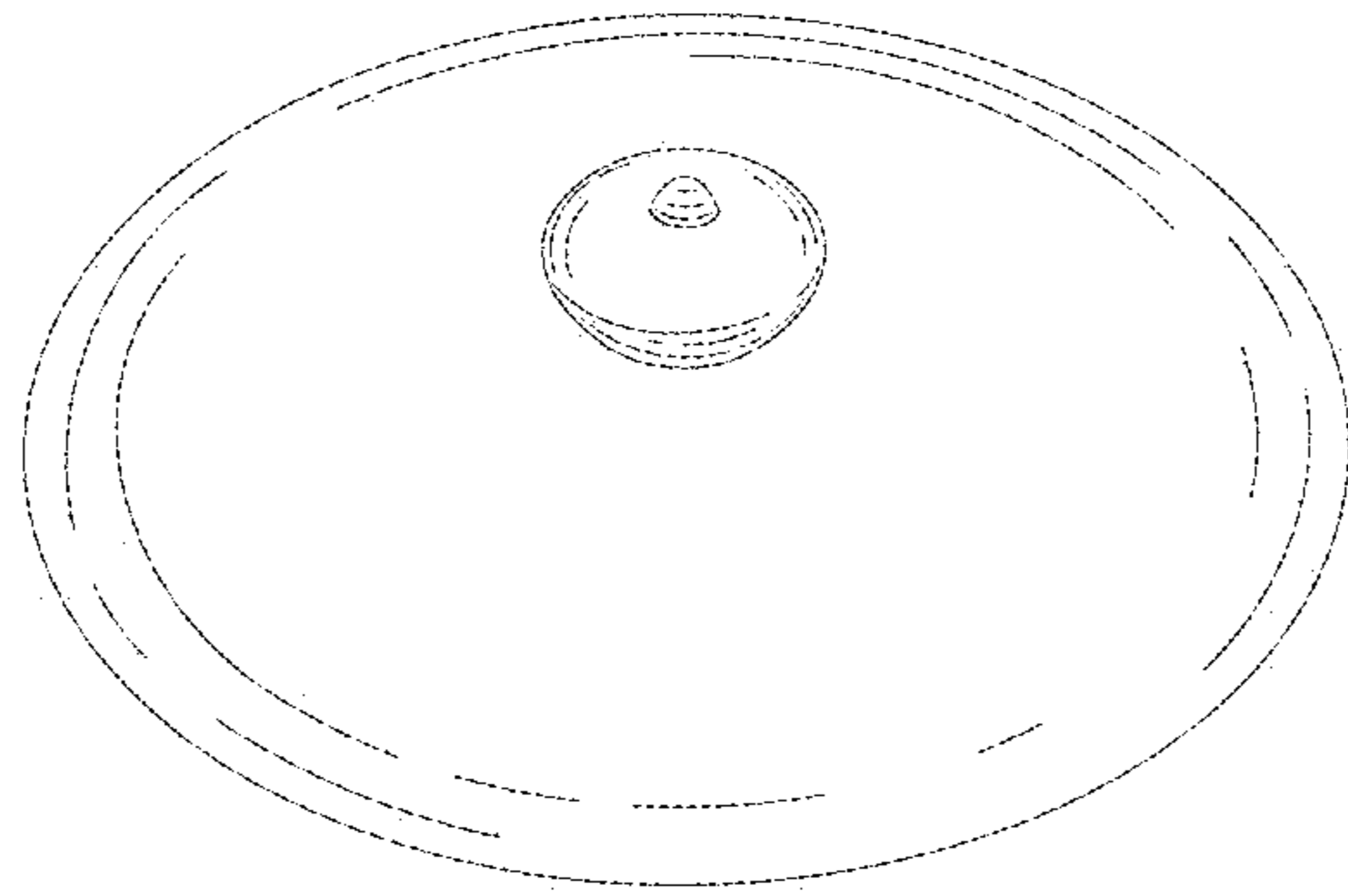


FIG. 3

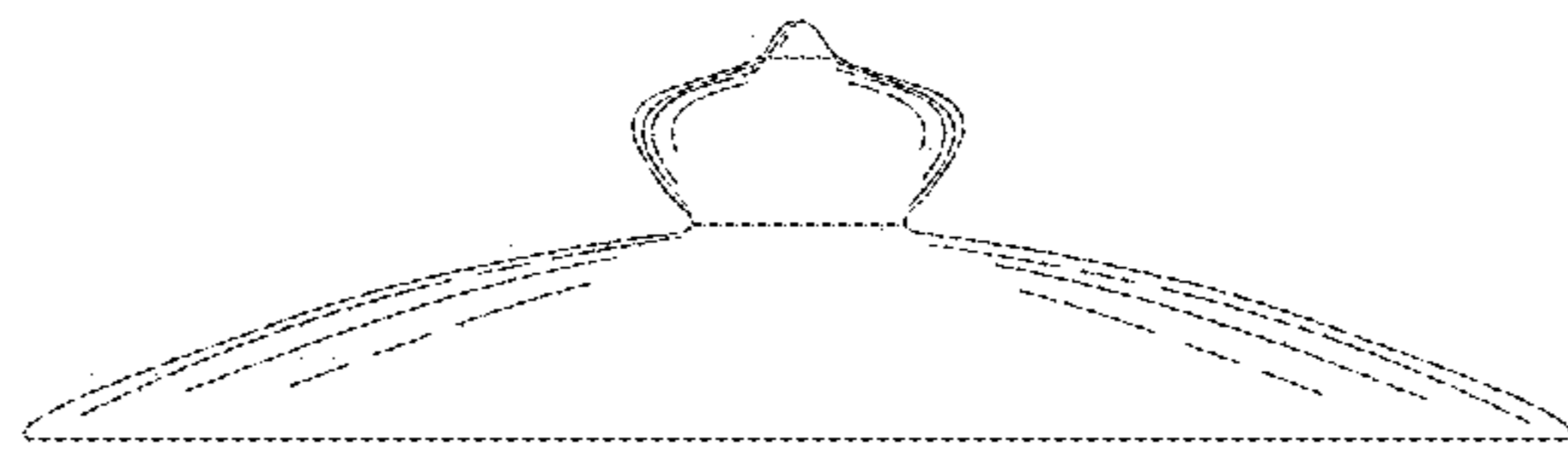


FIG. 4

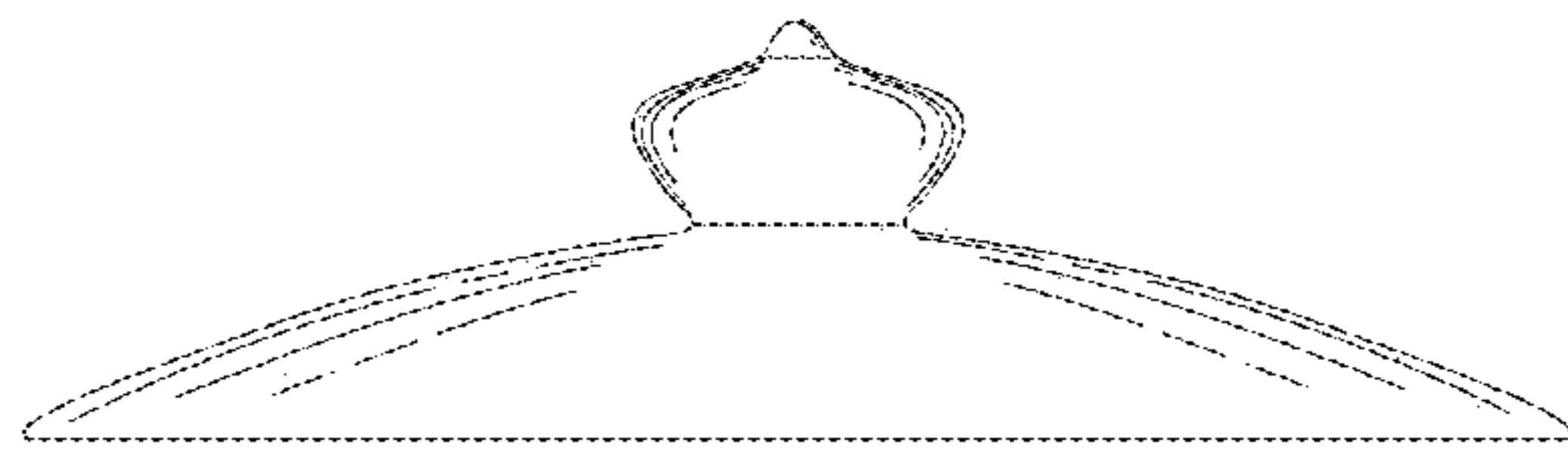


FIG. 5

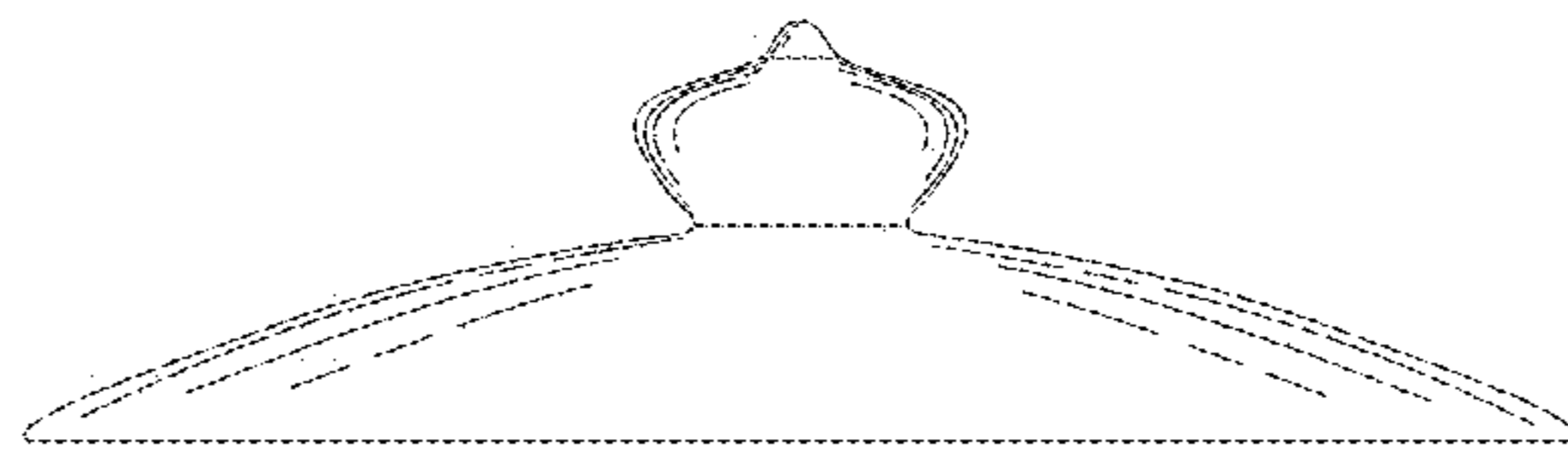


FIG. 6

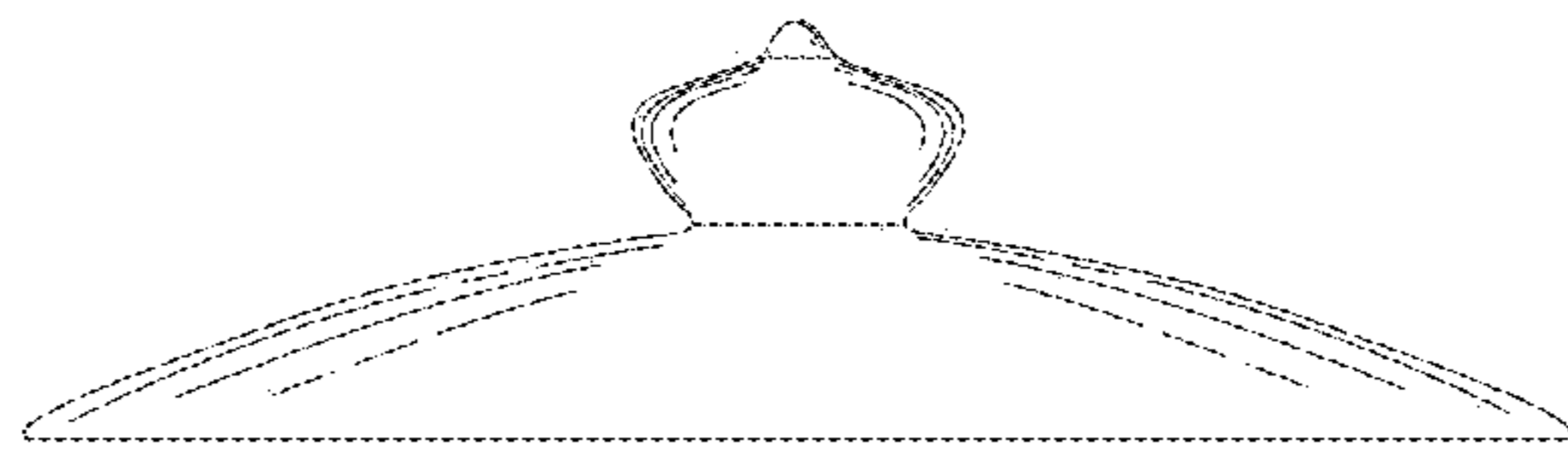


FIG. 7

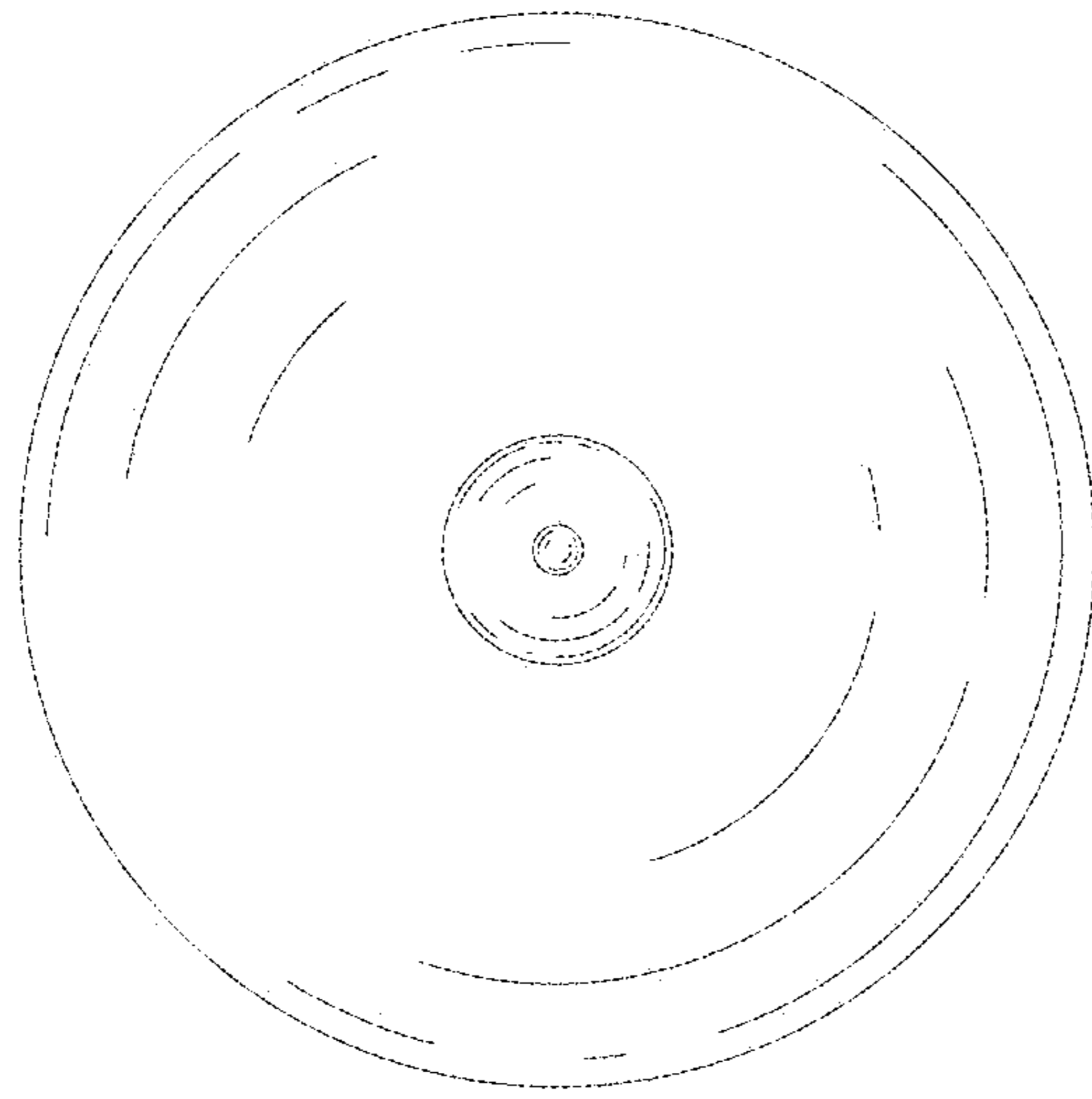


FIG. 8

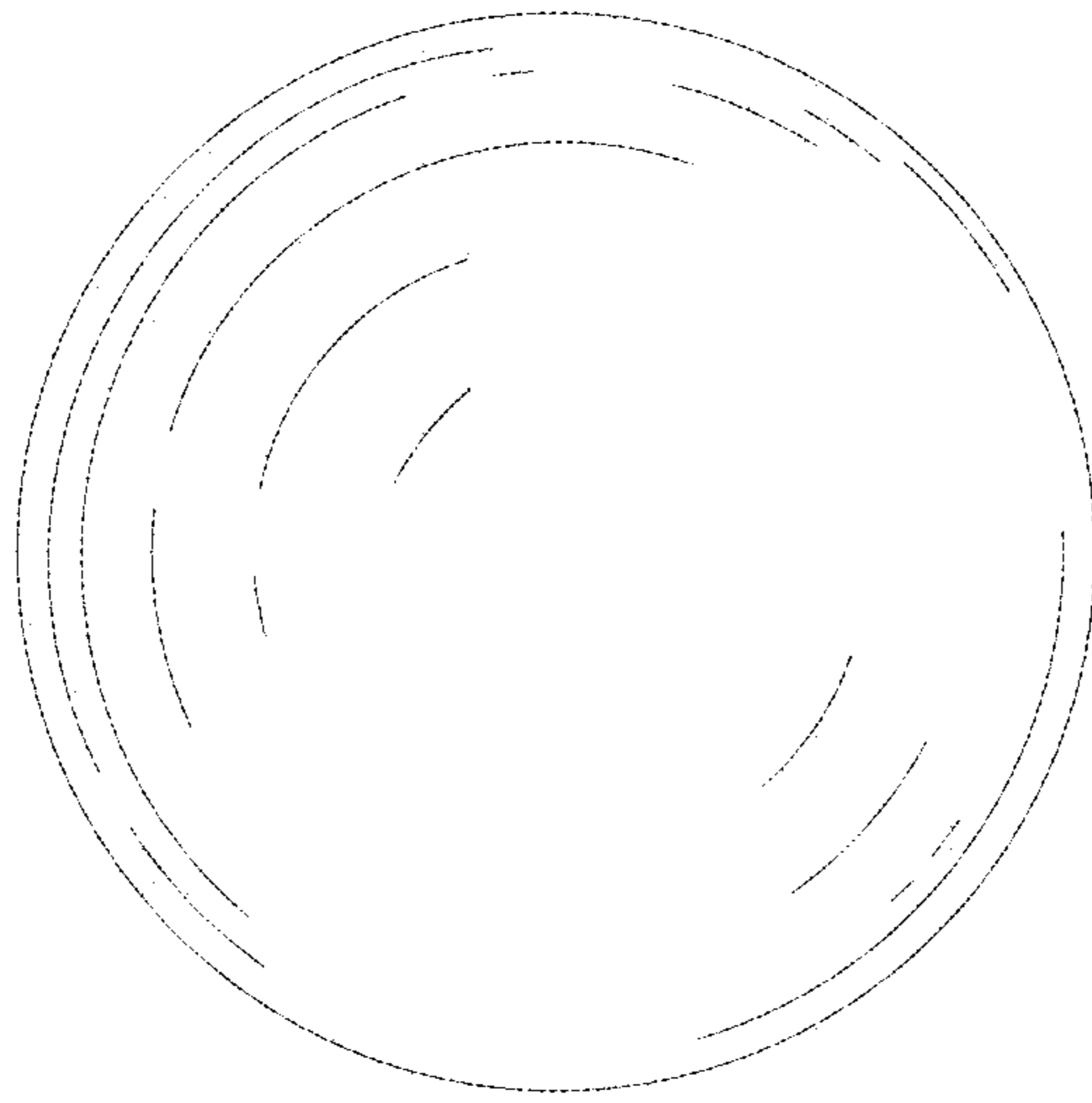


FIG. 9

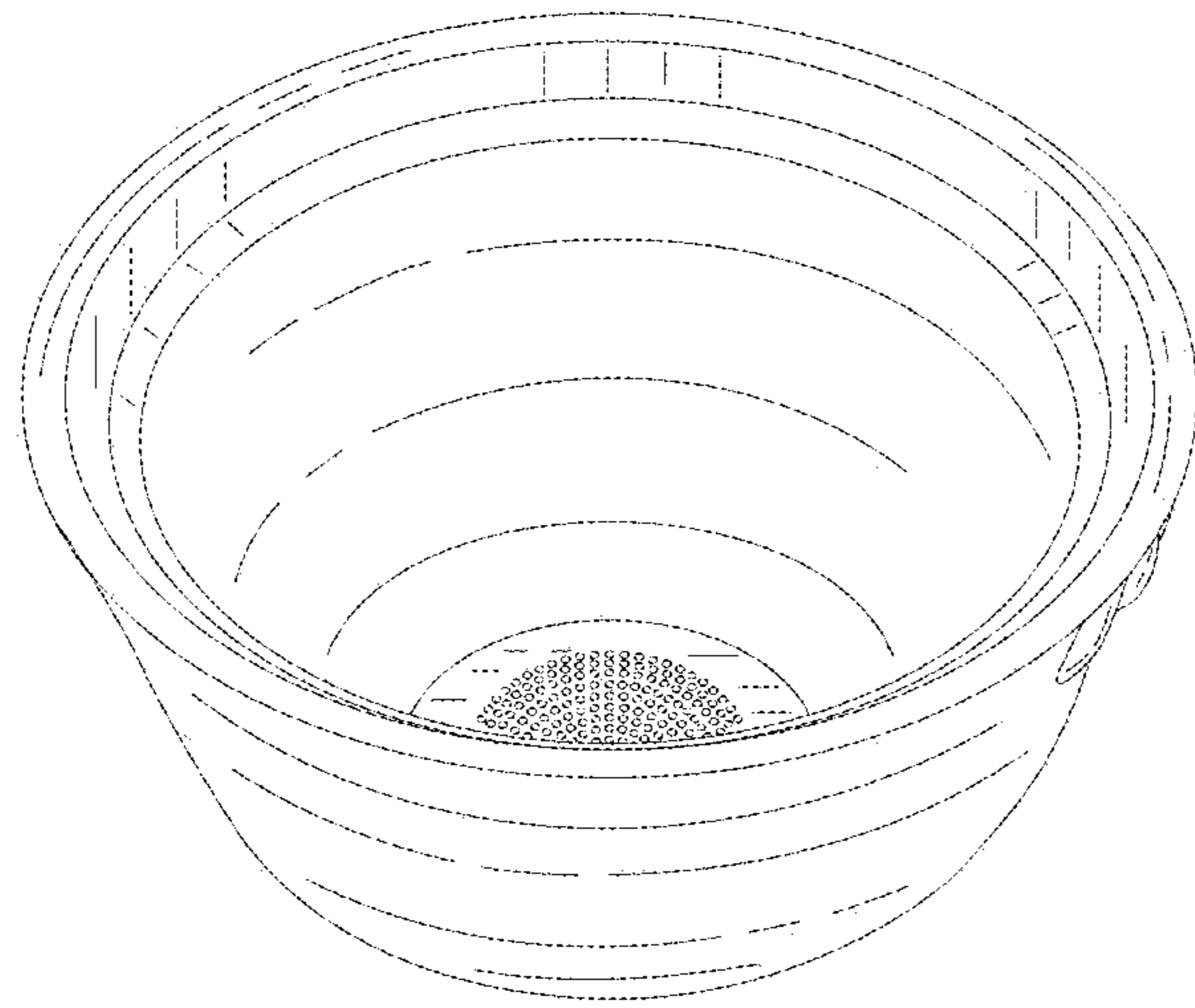


FIG. 10

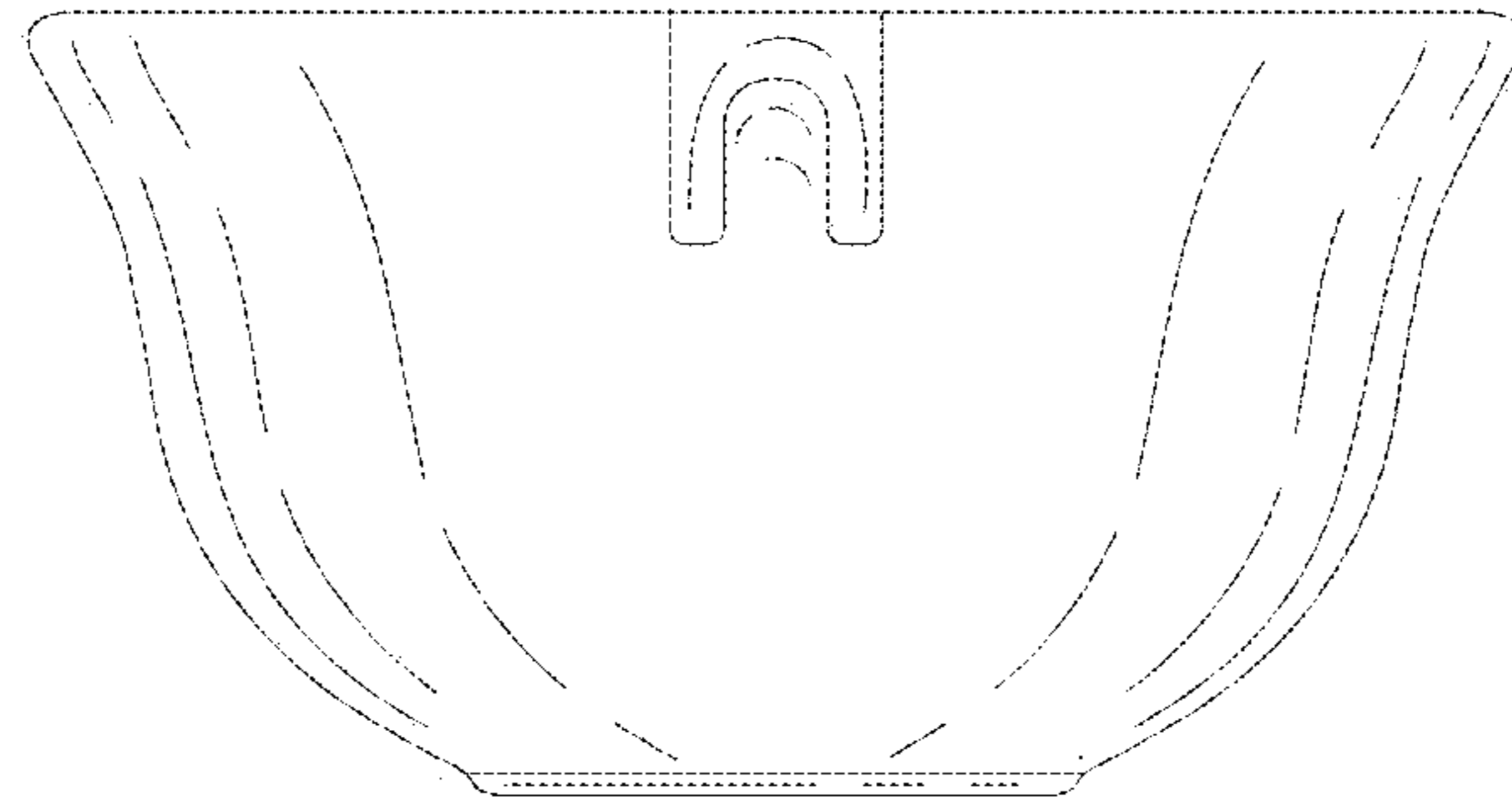


FIG. 11

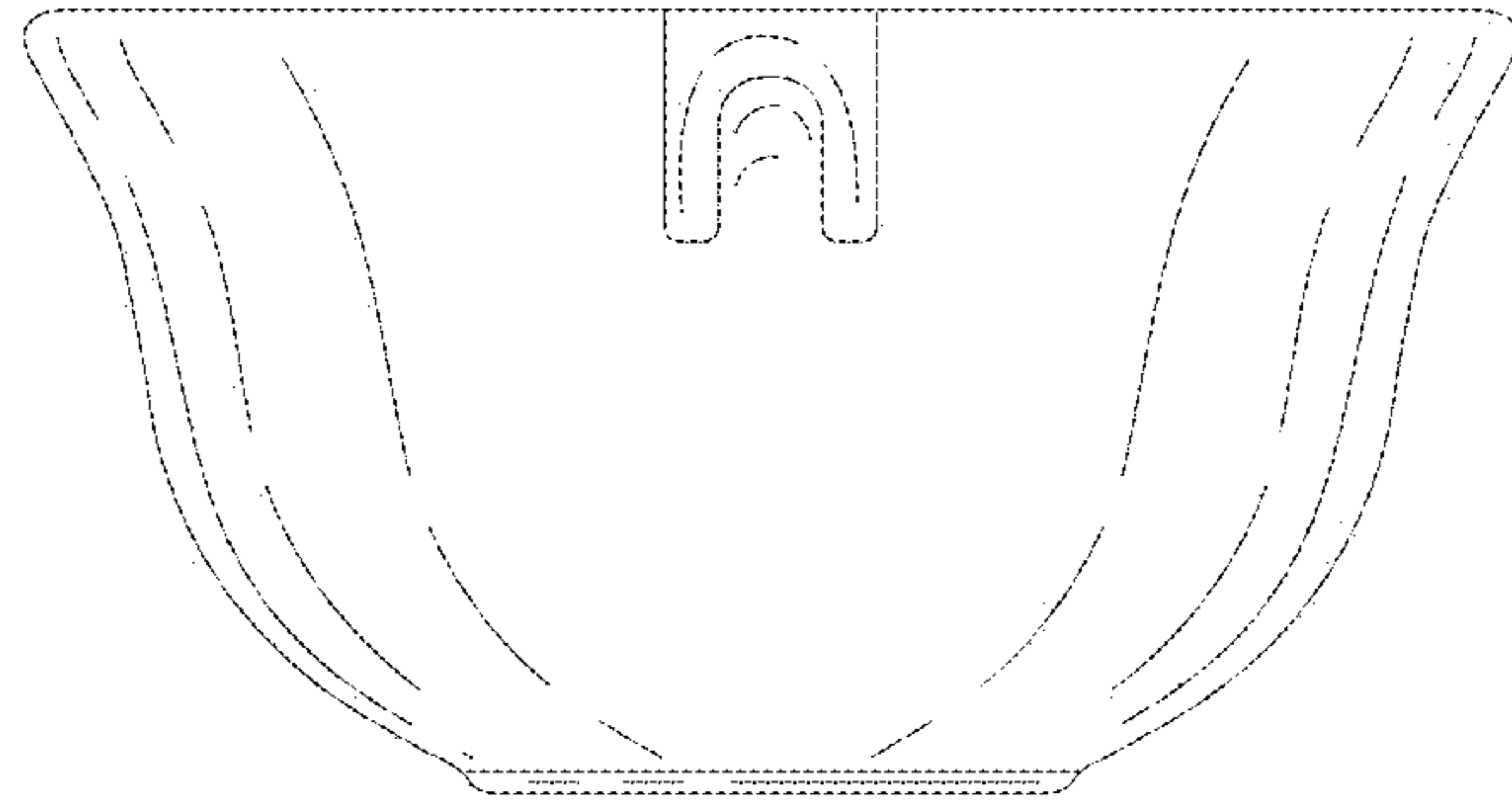


FIG. 12

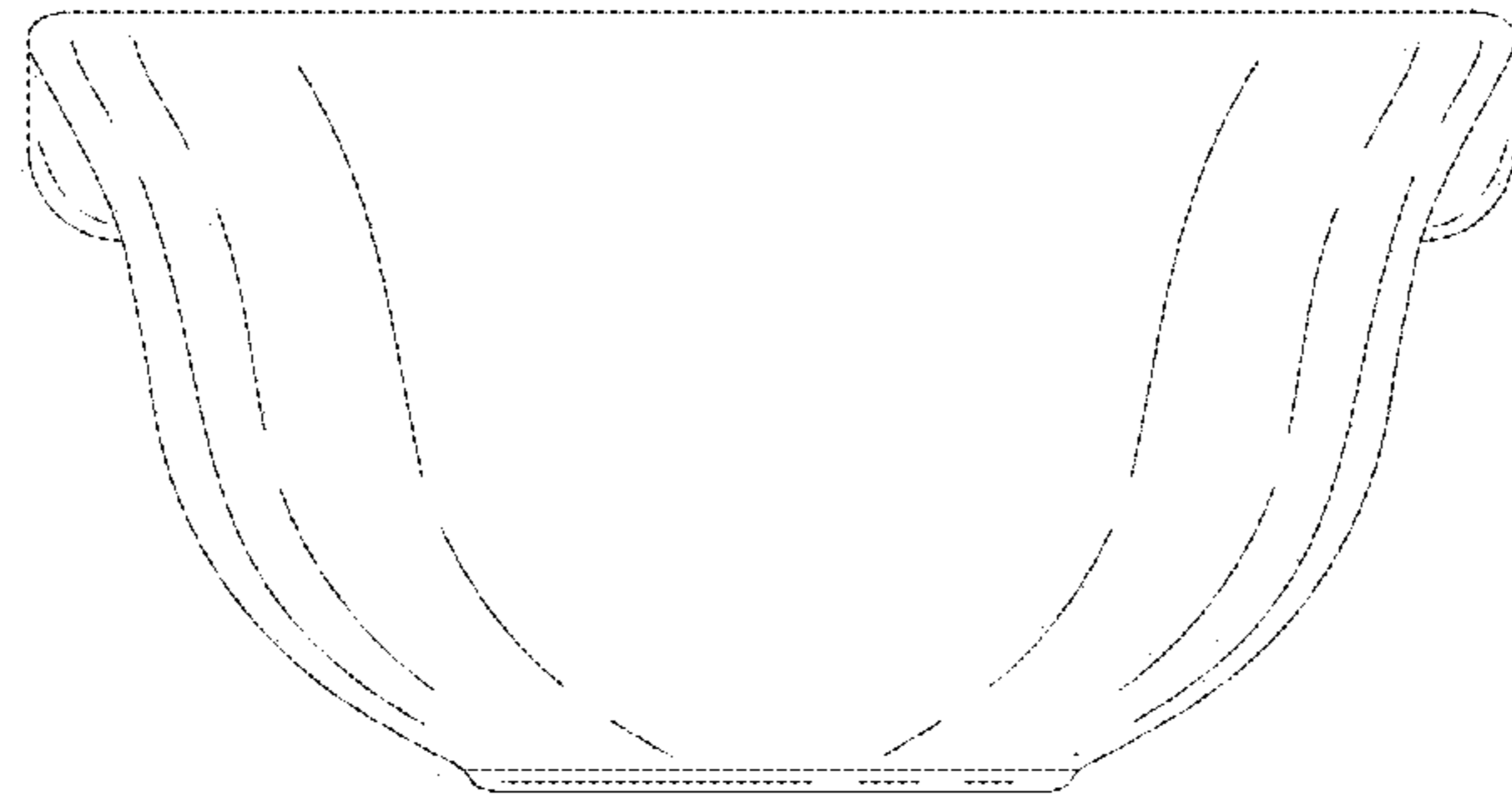


FIG. 13

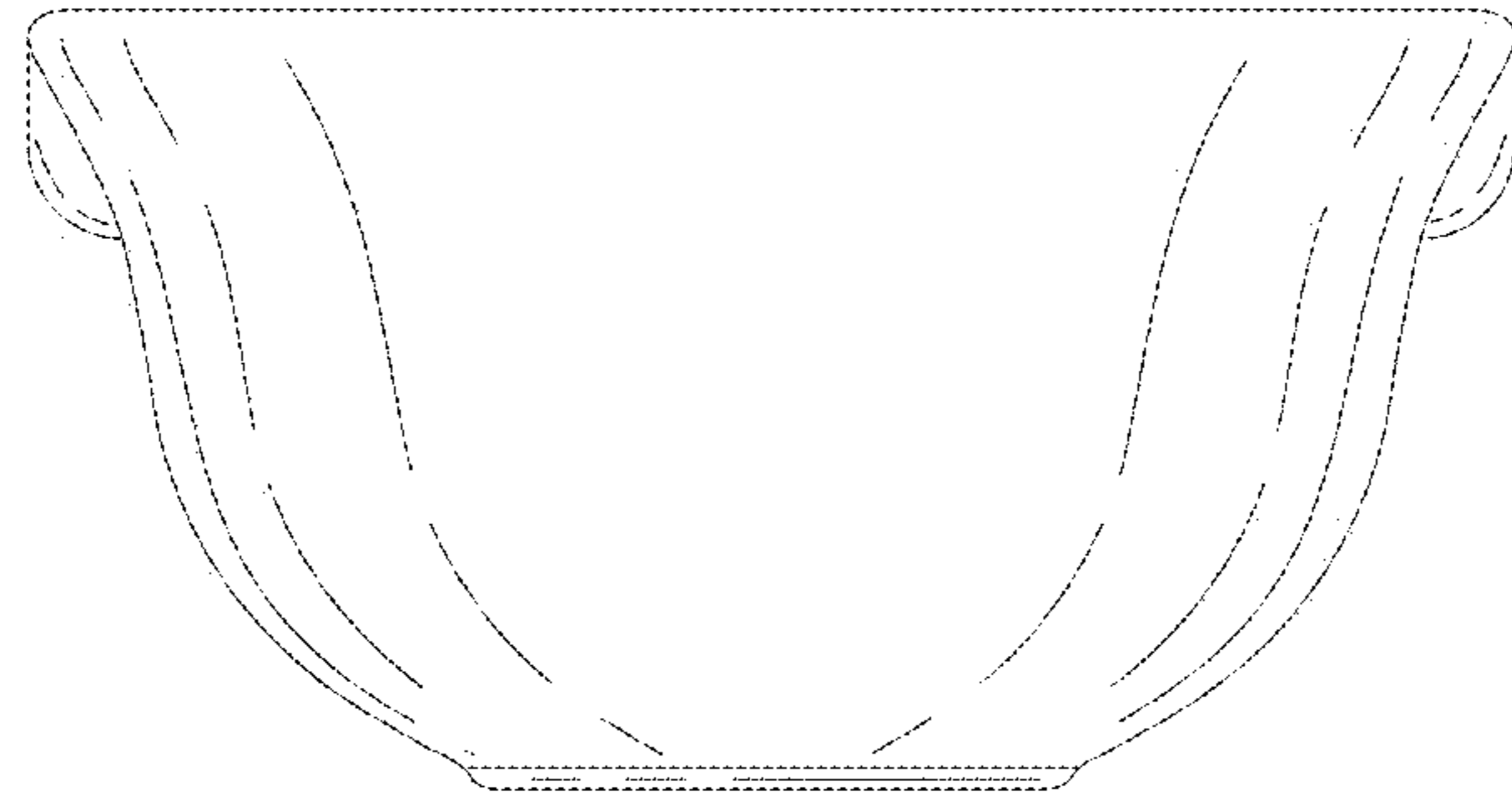


FIG. 14

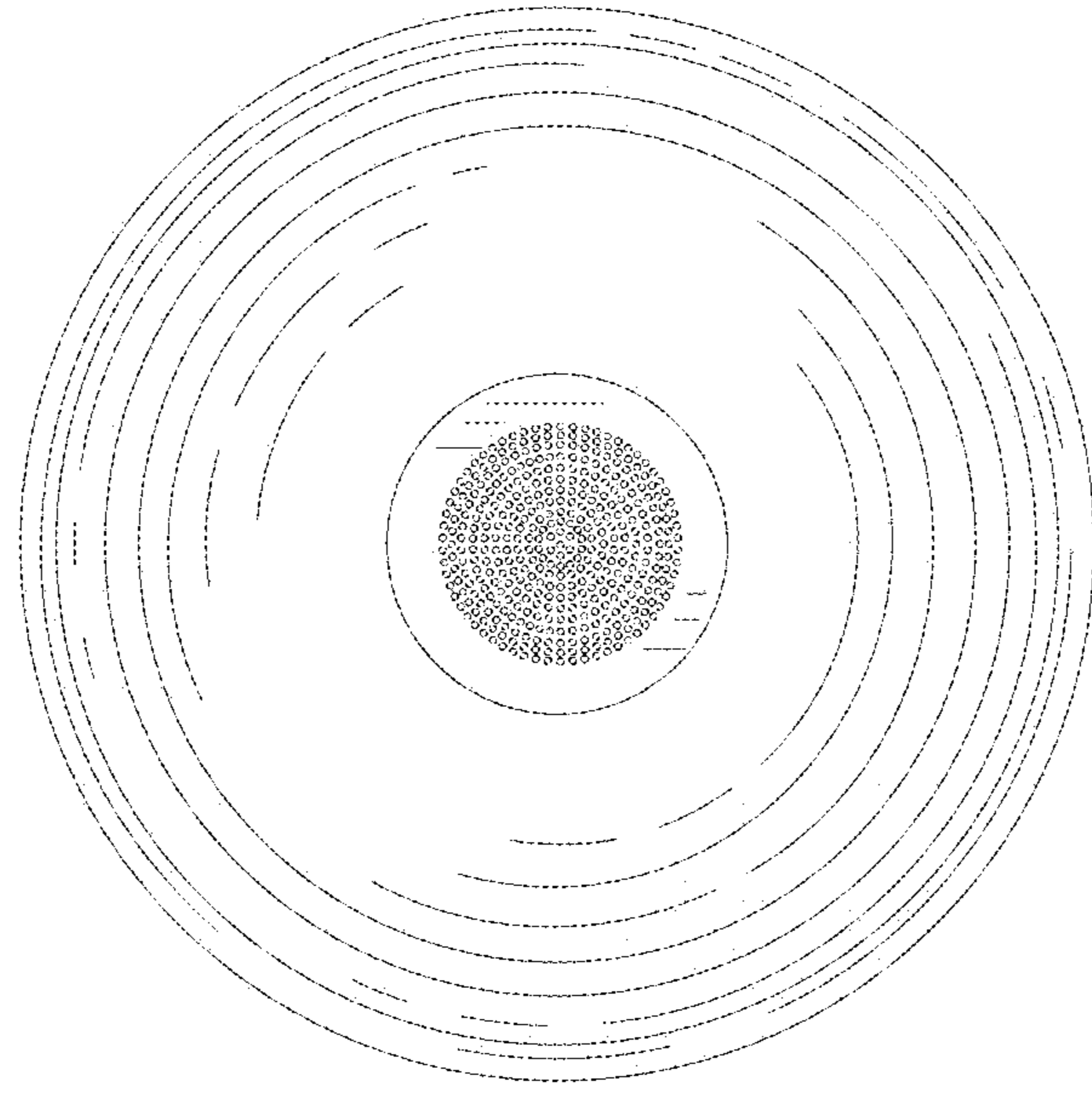


FIG. 15

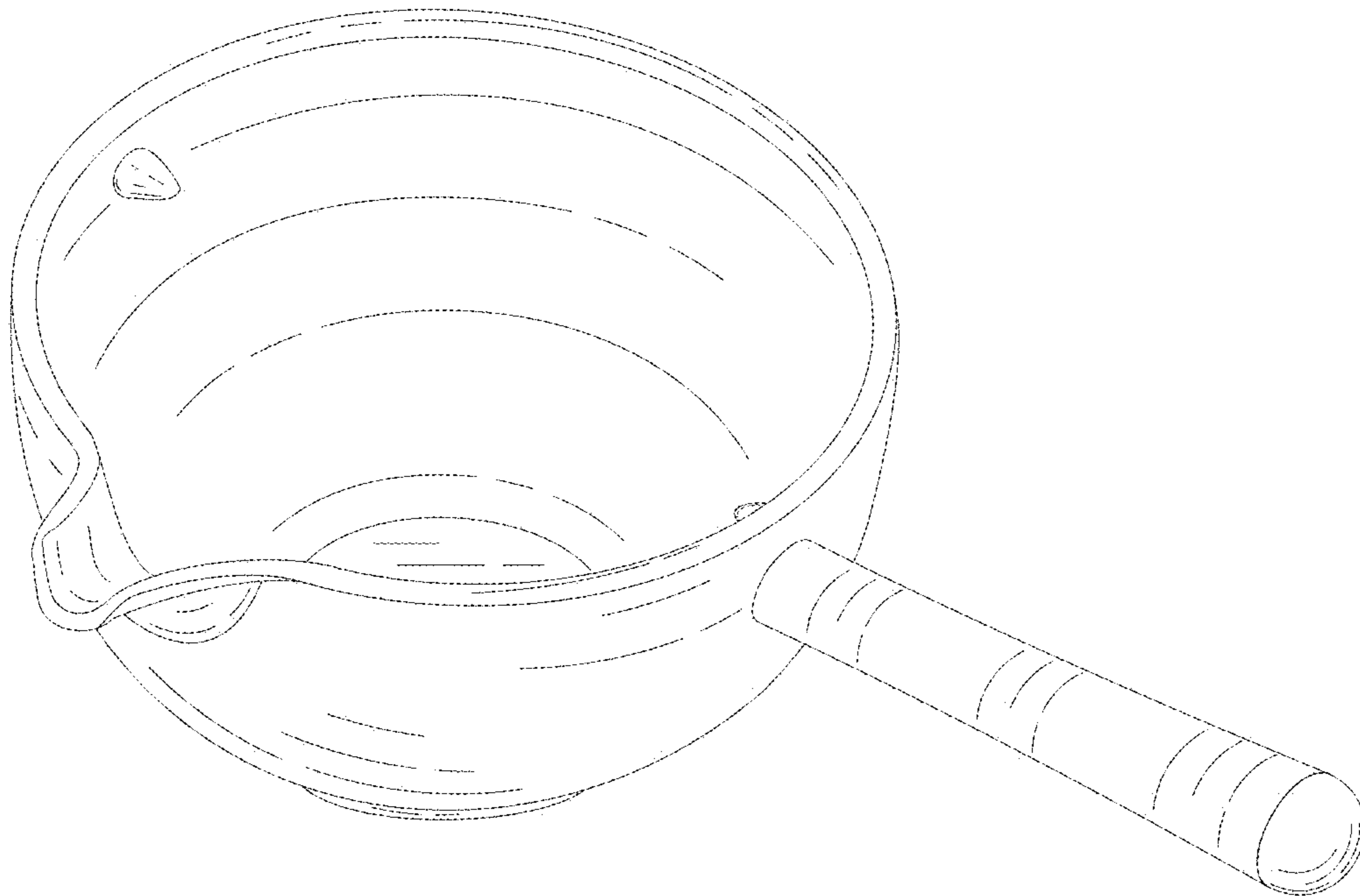


FIG. 17

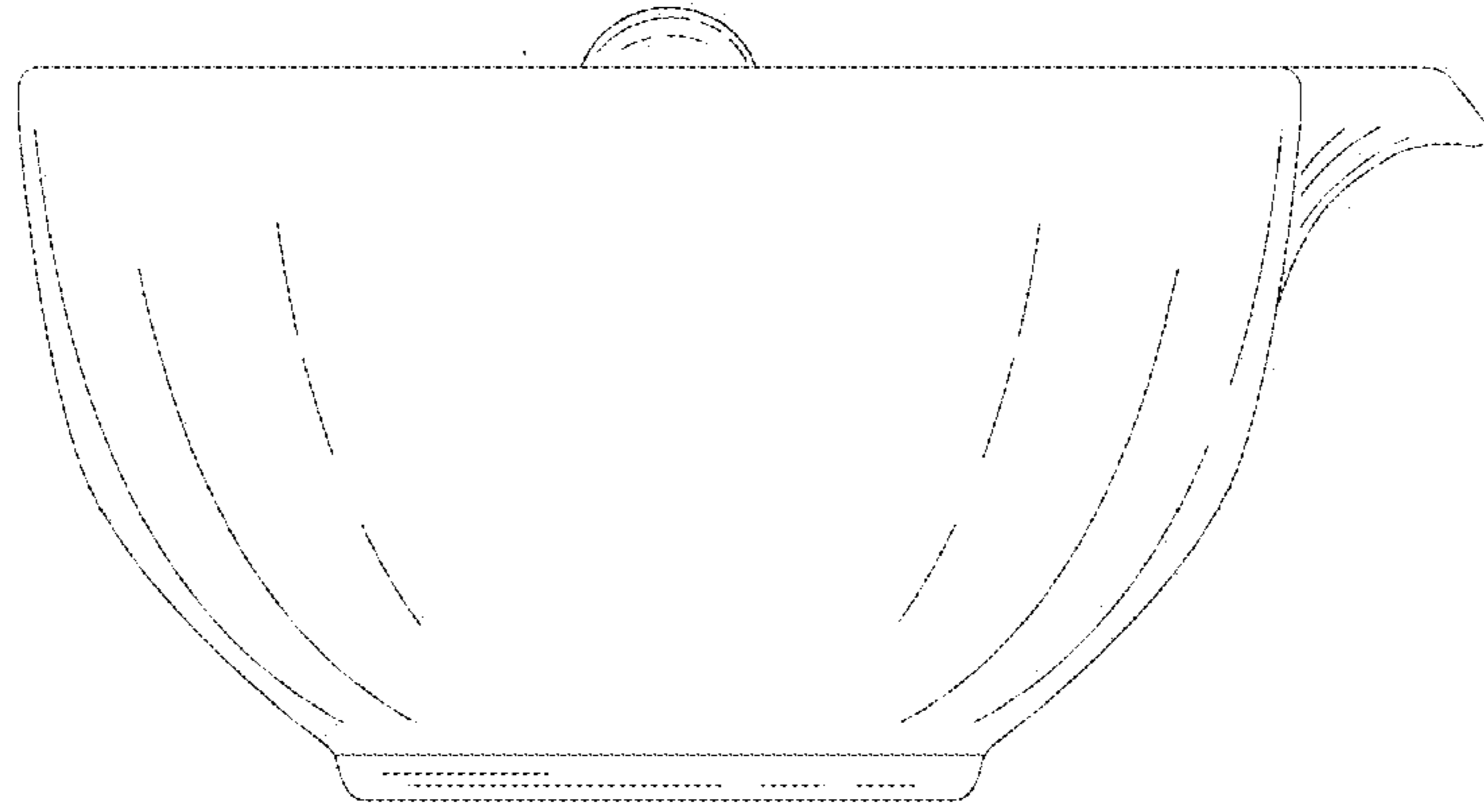


FIG. 18

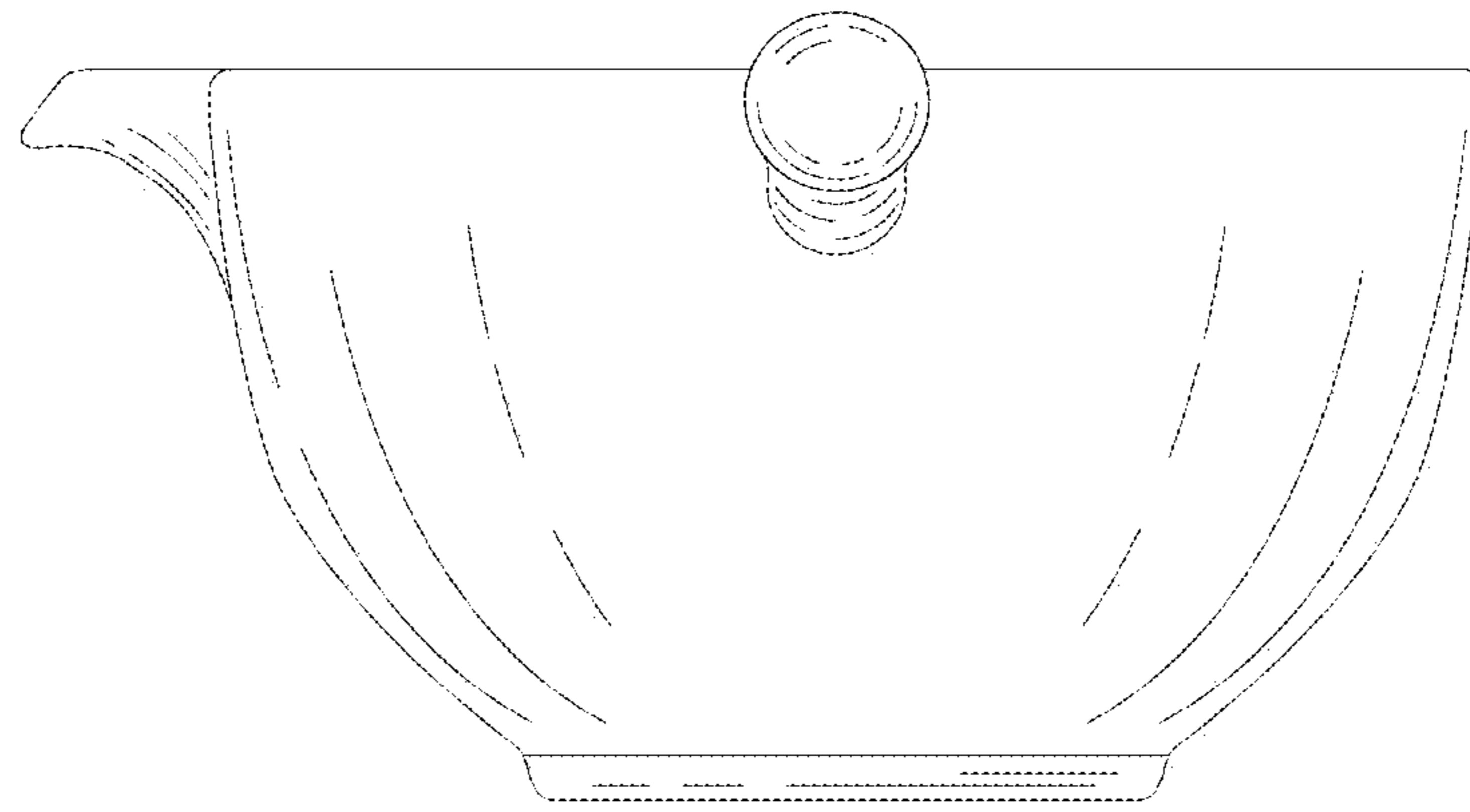


FIG. 19

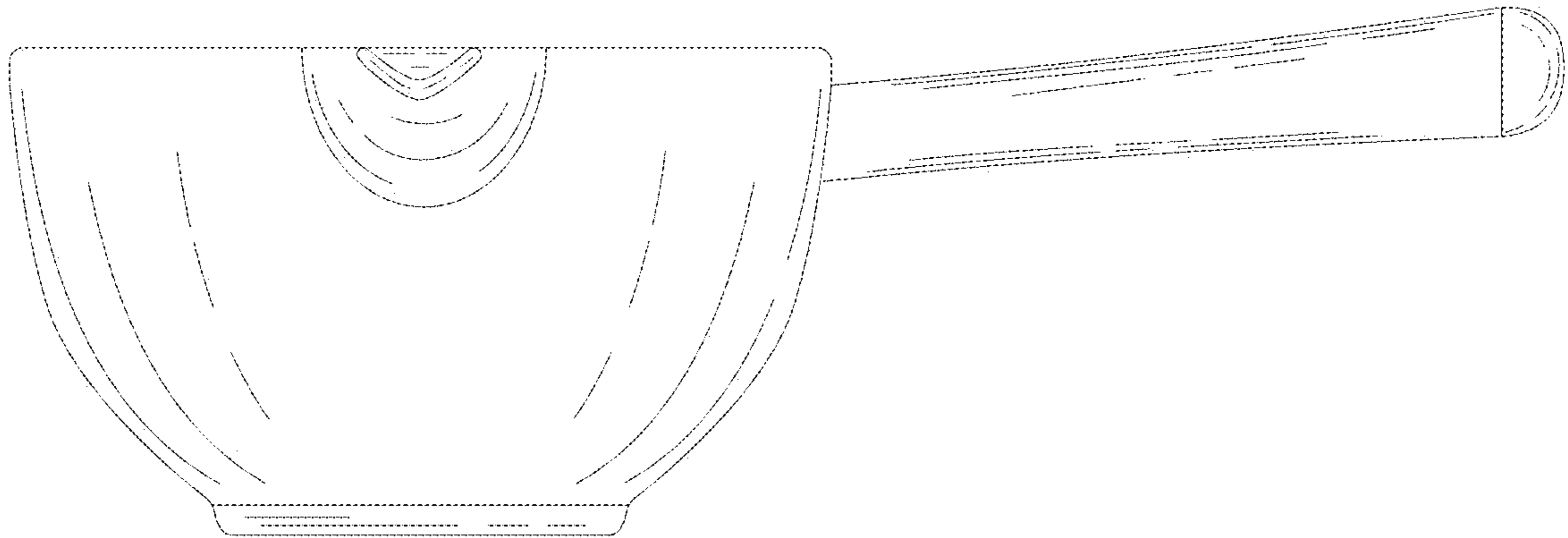


FIG. 20

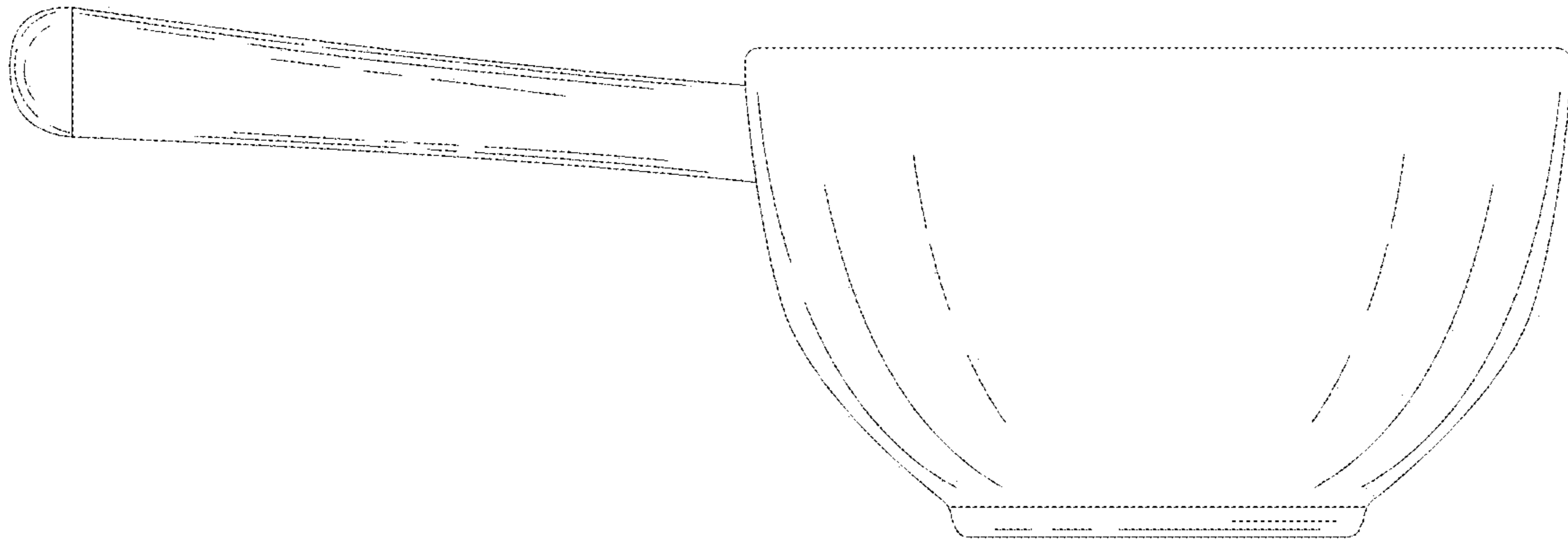


FIG. 21

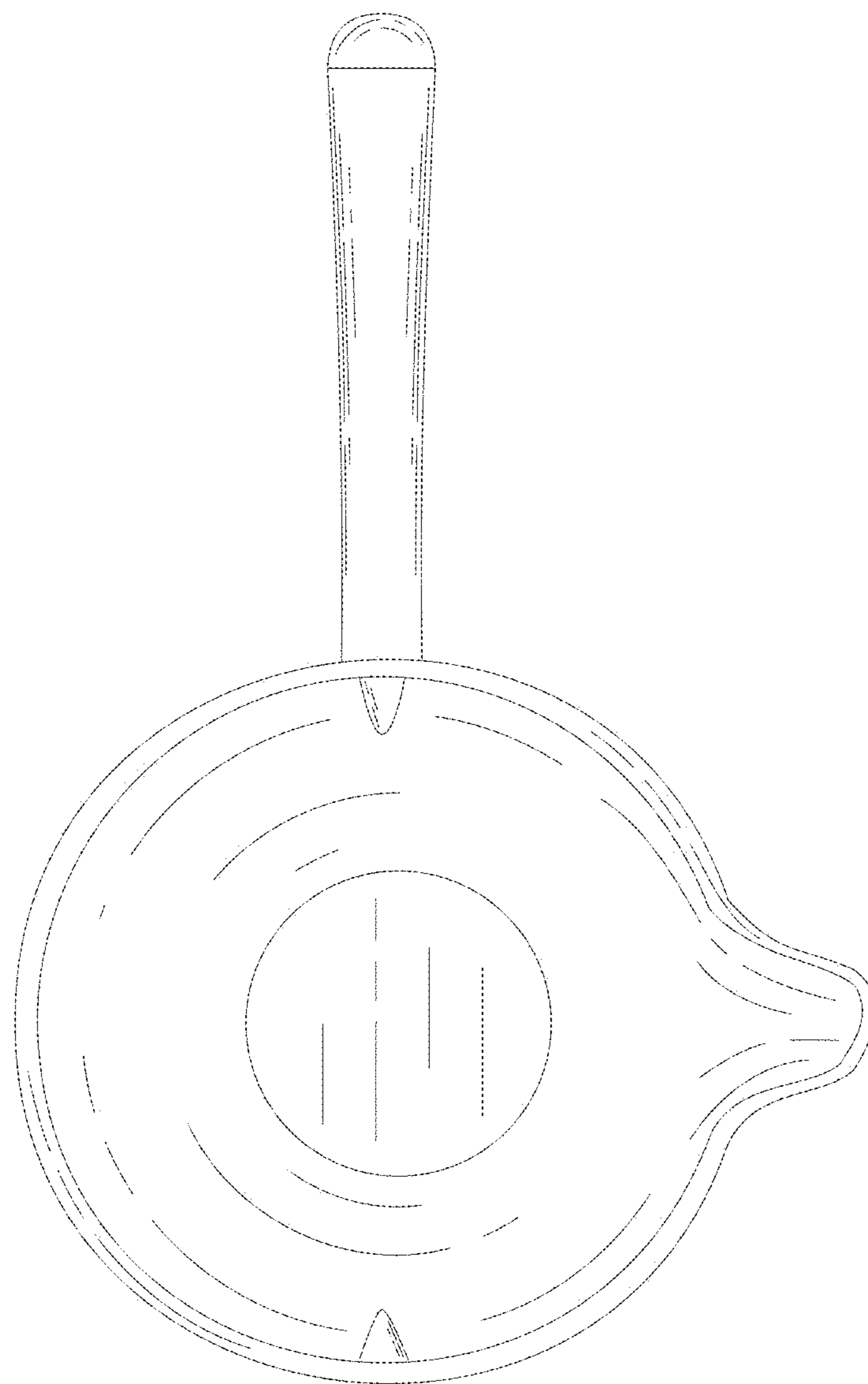


FIG. 22

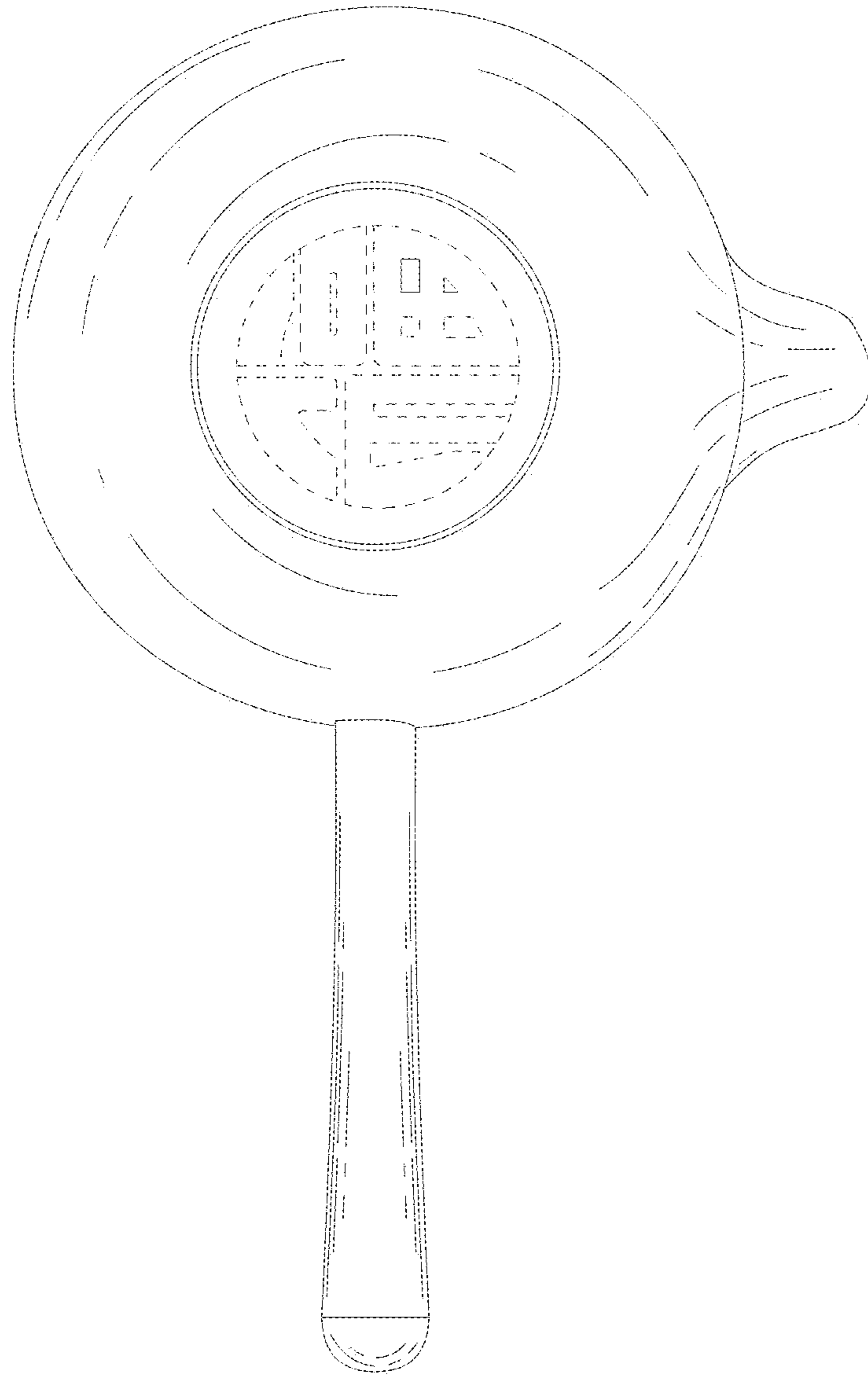


FIG. 23