



US00D968863S

(12) **United States Design Patent**
Bogenschütz

(10) **Patent No.:** **US D968,863 S**

(45) **Date of Patent:** **** Nov. 8, 2022**

(54) **SEAT BACKREST FOR TWO WHEELED VEHICLE**

(71) Applicant: **JB Management & Investment Consulting GmbH**, Bisingen (DE)

(72) Inventor: **Josef Bogenschütz**, Bisingen (DE)

(**) Term: **15 Years**

(21) Appl. No.: **35/511,262**

(22) Filed: **Dec. 9, 2020**

(80) **Hague Agreement Data**

Int. Filing Date: **Dec. 9, 2020**

Int. Reg. No.: **DM/212240**

Int. Reg. Date: **Dec. 9, 2020**

Int. Reg. Pub. Date: **Jan. 29, 2021**

(51) **LOC (13) Cl.** **06-06**

(52) **U.S. Cl.**
USPC **D6/716.4**

(58) **Field of Classification Search**
USPC D6/356, 716, 716.4; D12/107, 111, 112,
D12/114, 117
CPC A47C 7/36; A47C 7/40; B62J 1/14; B62J
1/28
See application file for complete search history.

(56) **References Cited**

U.S. PATENT DOCUMENTS

D413,632 S * 9/1999 Saunders D20/41
6,164,725 A * 12/2000 Santa Cruz B60N 2/787
297/DIG. 6

6,189,908 B1 * 2/2001 Lu B62K 3/10
297/215.11
D580,198 S * 11/2008 Wu F21S 43/19
D6/366
D714,086 S * 9/2014 Li B62J 1/00
D6/716.4
D723,851 S * 3/2015 Plikat B62J 1/10
D6/366
2015/0360745 A1 * 12/2015 Irwin B62J 1/28
188/24.14
2018/0304948 A1 * 10/2018 Hsu B62J 1/10
2019/0002055 A1 * 1/2019 Reed B62J 1/00
2019/0047650 A1 * 2/2019 Luttmmer F21S 43/19

* cited by examiner

Primary Examiner — Mary Ann Calabrese

(57) **CLAIM**

The ornamental design for a seat backrest for two wheeled vehicle, as shown and described.

DESCRIPTION

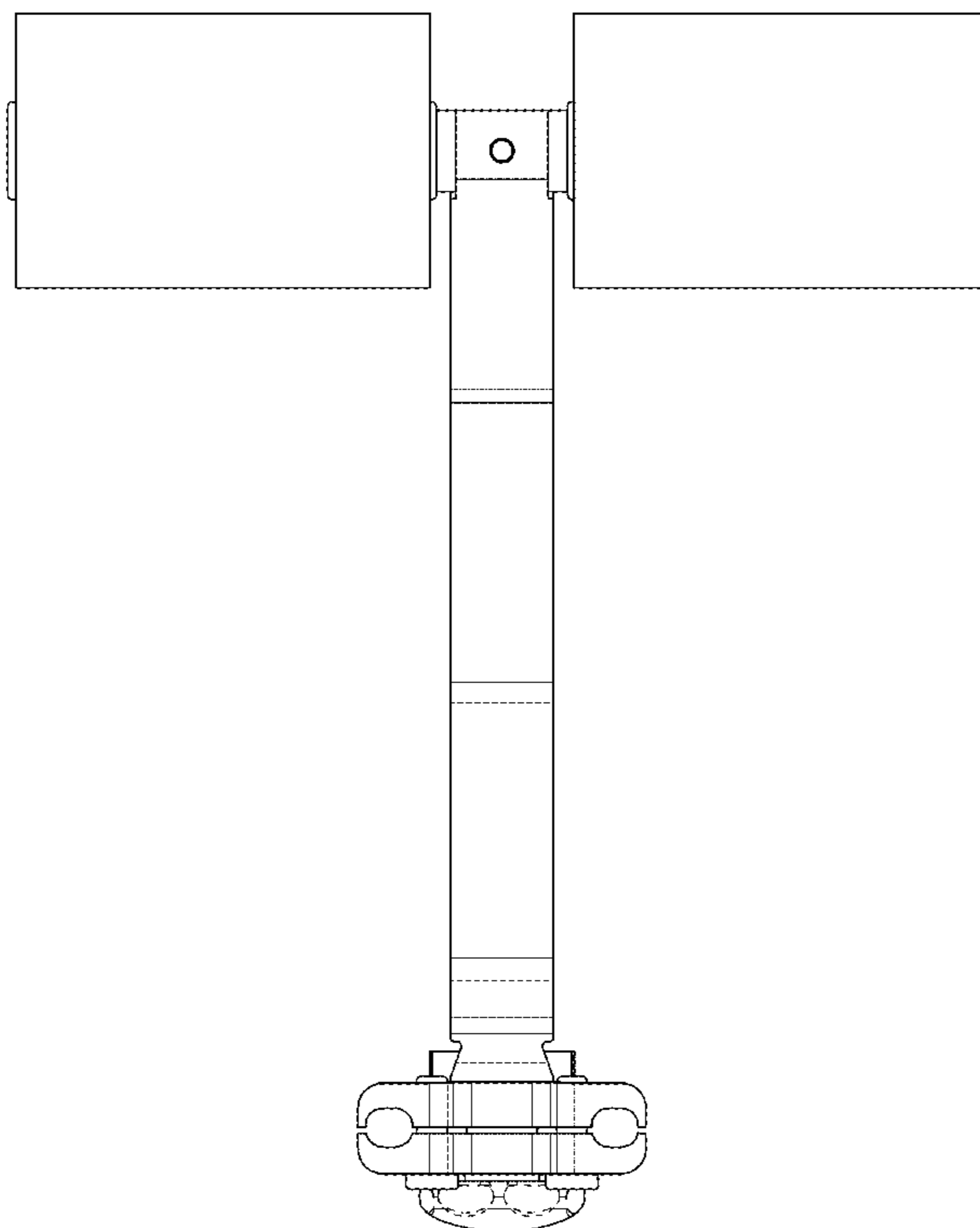
3.1: Back

3.2: Top

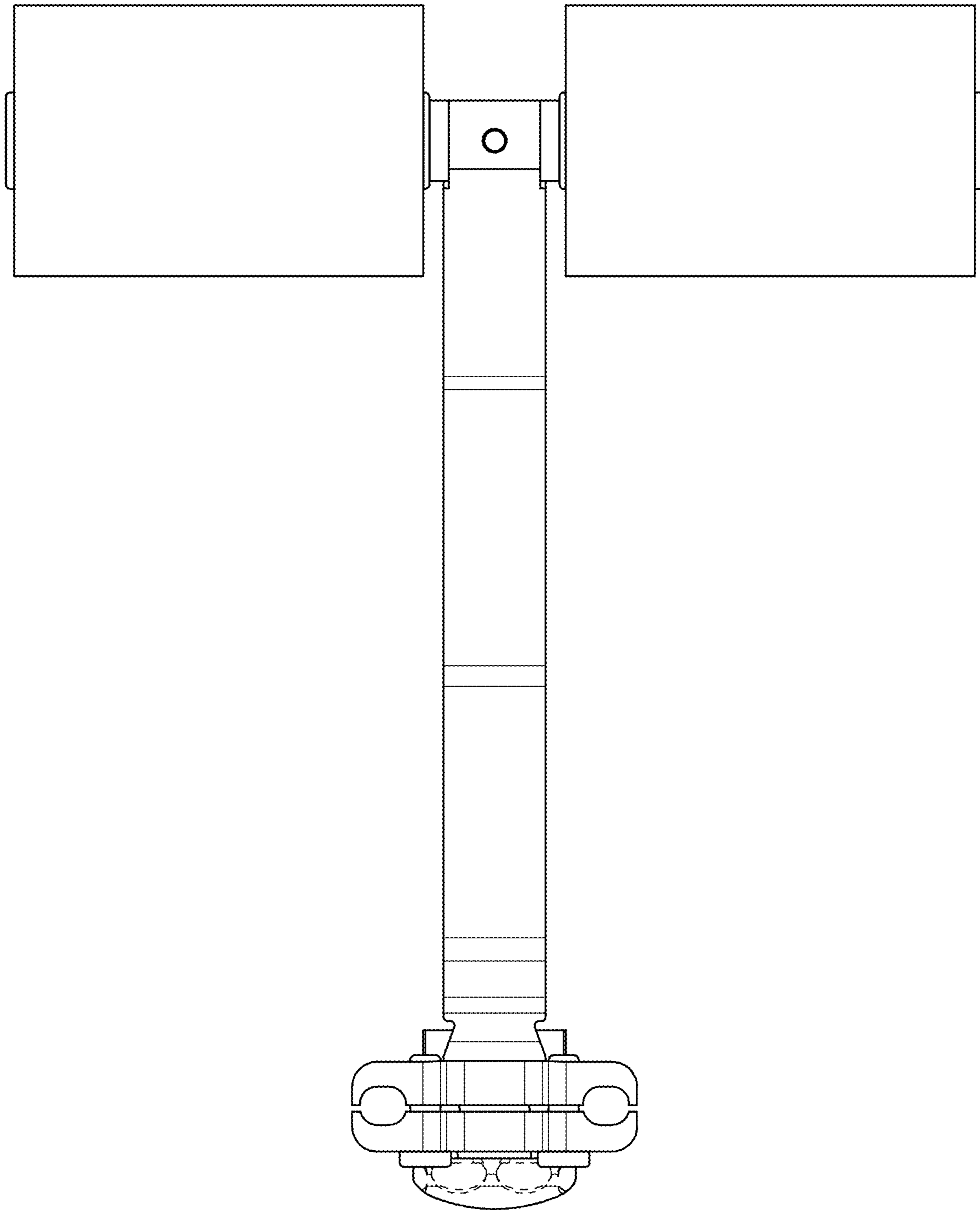
3.3: Left

The broken lines in the drawings illustrate portions of the seat backrest for a two wheeled vehicle that form no part of the claimed design.

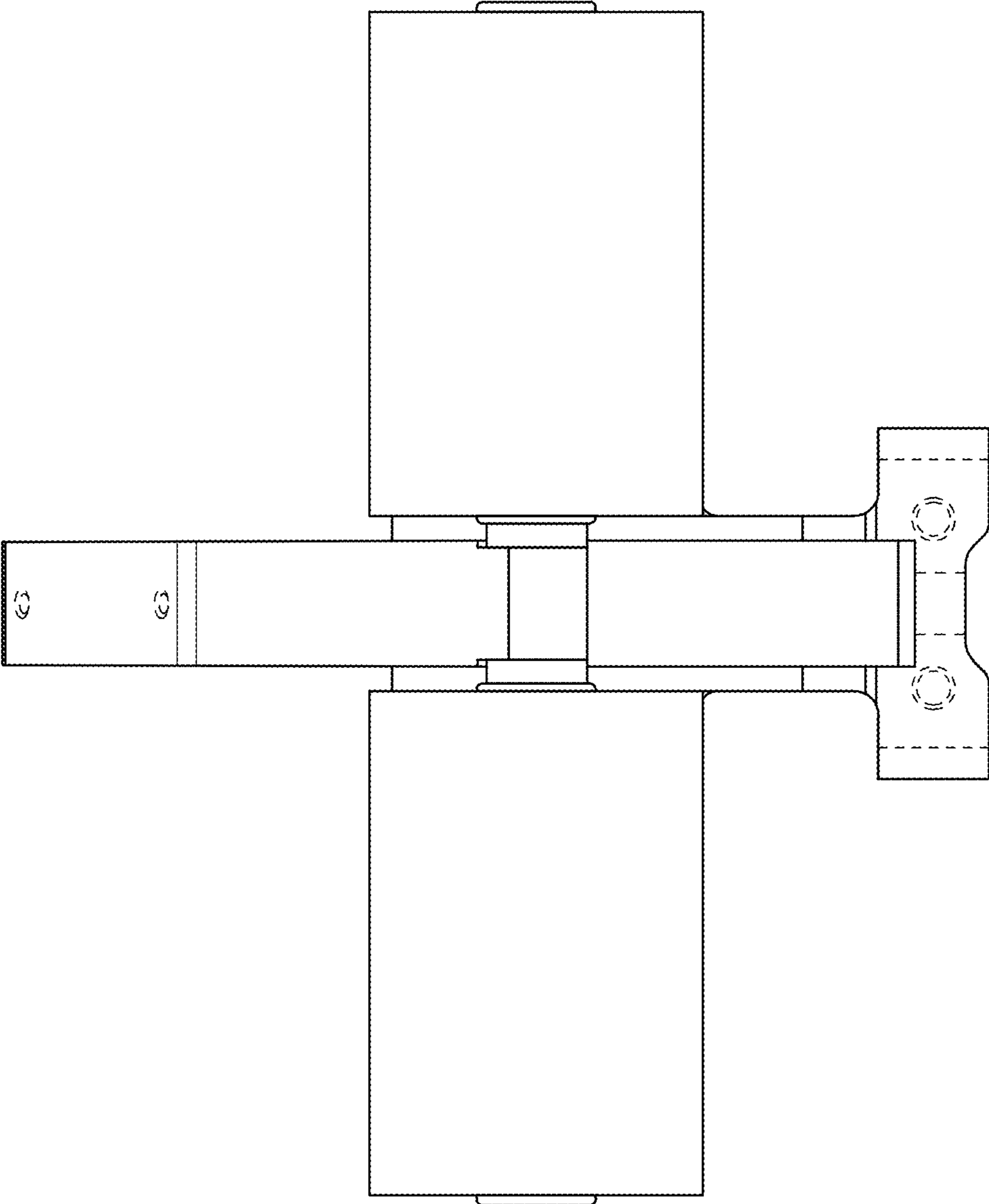
1 Claim, 3 Drawing Sheets



3.1



3.2



3.3

