

US00D968860S

(12) **United States Design Patent** (10) **Patent No.:** **US D968,860 S**
Ottomanelli et al. (45) **Date of Patent:** **** Nov. 8, 2022**

(54) **ROD HOLDER**

(71) Applicants: **Michael J. Ottomanelli**, Melbourne Beach, FL (US); **Jordan H. Smith**, Murphy, TX (US); **Charles C. Squires**, McKinney, TX (US)

(72) Inventors: **Michael J. Ottomanelli**, Melbourne Beach, FL (US); **Jordan H. Smith**, Murphy, TX (US); **Charles C. Squires**, McKinney, TX (US)

(**) Term: **15 Years**

(21) Appl. No.: **29/763,949**

(22) Filed: **Dec. 27, 2020**

(51) **LOC (13) Cl.** **06-06**

(52) **U.S. Cl.**
USPC **D6/682.1**

(58) **Field of Classification Search**
USPC D6/553-554, 682, 682.1, 682.3, 682.5;
D22/147-148; D26/37-41, 47-49
CPC A47F 7/0021; A47F 7/00; A45F 2200/05;
A01K 97/10
See application file for complete search history.

(56) **References Cited**

U.S. PATENT DOCUMENTS

D145,045 S *	6/1946	Plasket	D6/674
D198,339 S *	6/1964	Edell	D9/722
3,275,274 A *	9/1966	Hutcheon	G09F 5/042
				248/309.1
3,286,835 A *	11/1966	Crane, Jr.	B65D 73/005
				206/489
D239,533 S *	4/1976	Polzin	D3/221
4,328,894 A *	5/1982	Edell	B65D 73/0014
				206/461
D287,105 S *	12/1986	Osterhout	D9/415

D366,091 S *	1/1996	Delekta	D22/147
D407,137 S *	3/1999	Thompson	D22/147
D516,164 S *	2/2006	Roth	D22/147
D571,210 S *	6/2008	Rozanski	D9/457
D654,288 S *	2/2012	Lecoutre	D6/682.3
D727,457 S *	4/2015	Seiders	D22/147
D764,210 S *	8/2016	Peng	D6/552
D783,769 S *	4/2017	Vela	D22/147
D793,778 S *	8/2017	Bell	D6/682
D857,155 S *	8/2019	Baltes	D22/147
D897,488 S *	9/2020	Brooks	D22/147
D910,806 S *	2/2021	Pratt	D22/147

* cited by examiner

Primary Examiner — Kelley A Donnelly

(74) *Attorney, Agent, or Firm* — Lowndes; Stephen C. Thomas

(57) **CLAIM**

The ornamental design for a rod holder, as shown and described.

DESCRIPTION

FIG. 1 depicts a perspective view of the rod holder of the invention.

FIG. 2 depicts a left side view of the rod holder of the invention.

FIG. 3 depicts a front side view of the rod holder of the invention.

FIG. 4 depicts a rear view of the rod holder of the invention.

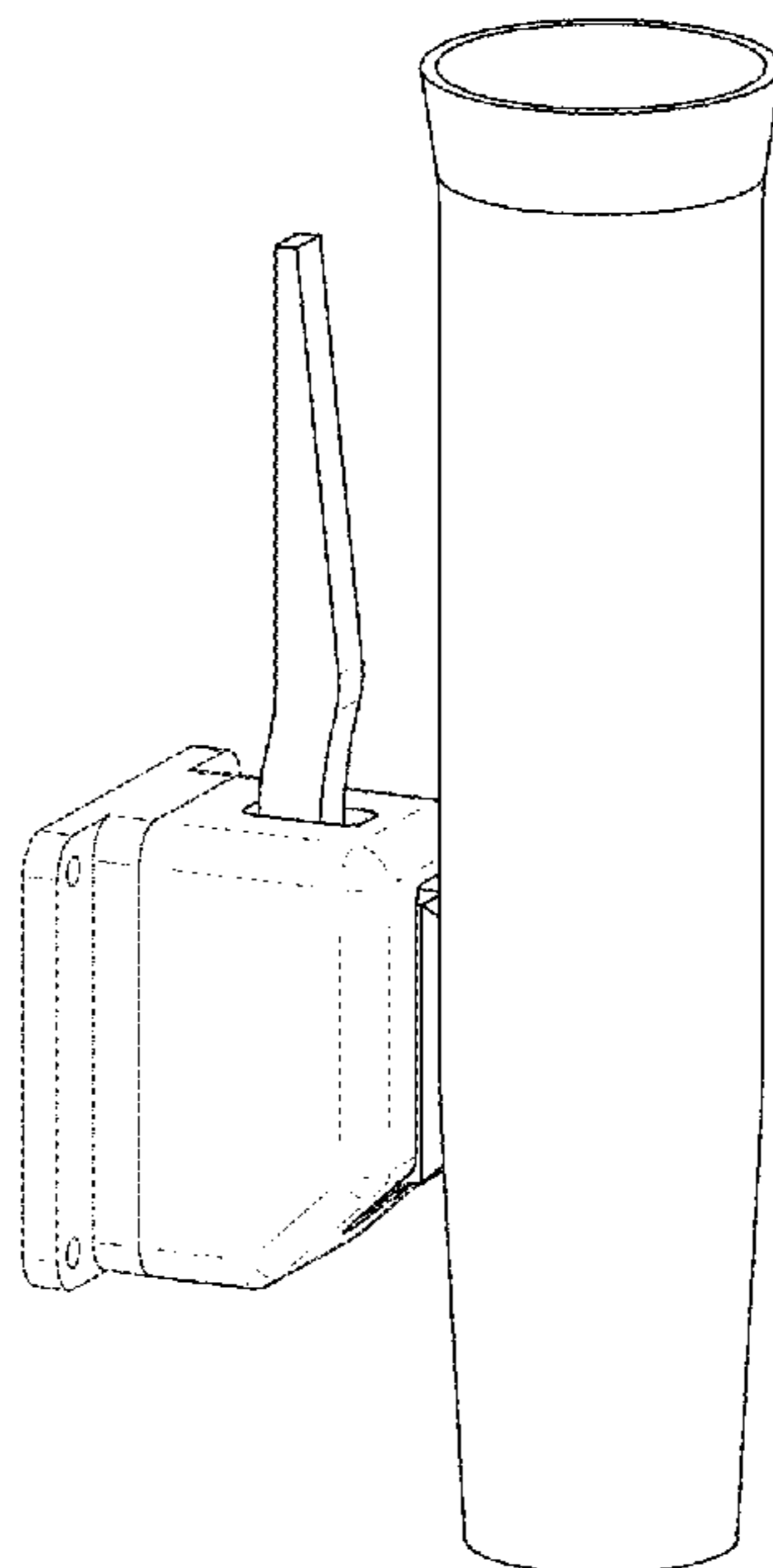
FIG. 5 depicts a right side view of the rod holder of the invention.

FIG. 6 depicts a top view of the rod holder of the invention; and,

FIG. 7 depicts a bottom view of the rod holder of the invention.

The broken lines depict environmental subject matter only and form no part of the claimed design.

1 Claim, 7 Drawing Sheets



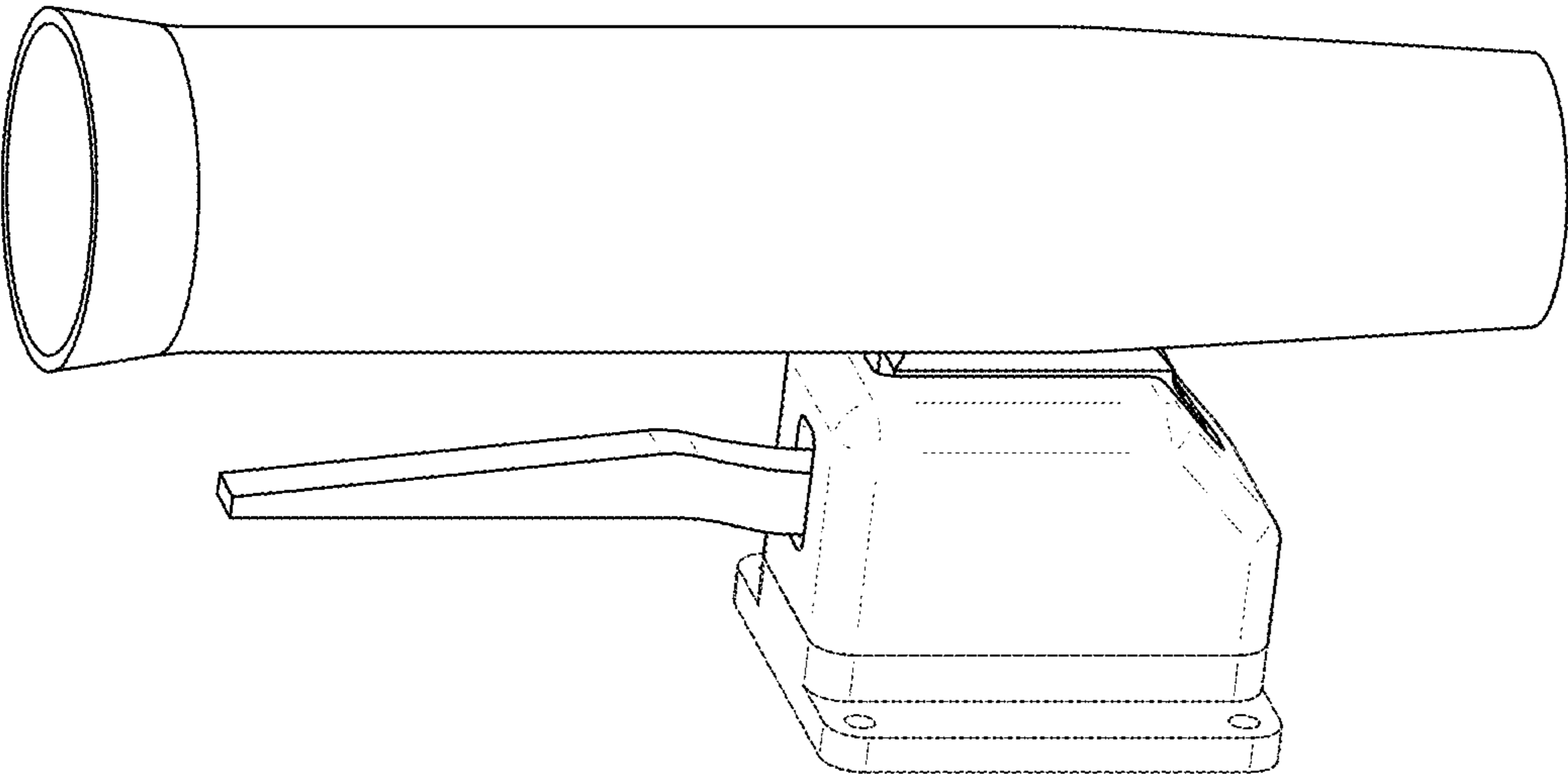


Fig. 1

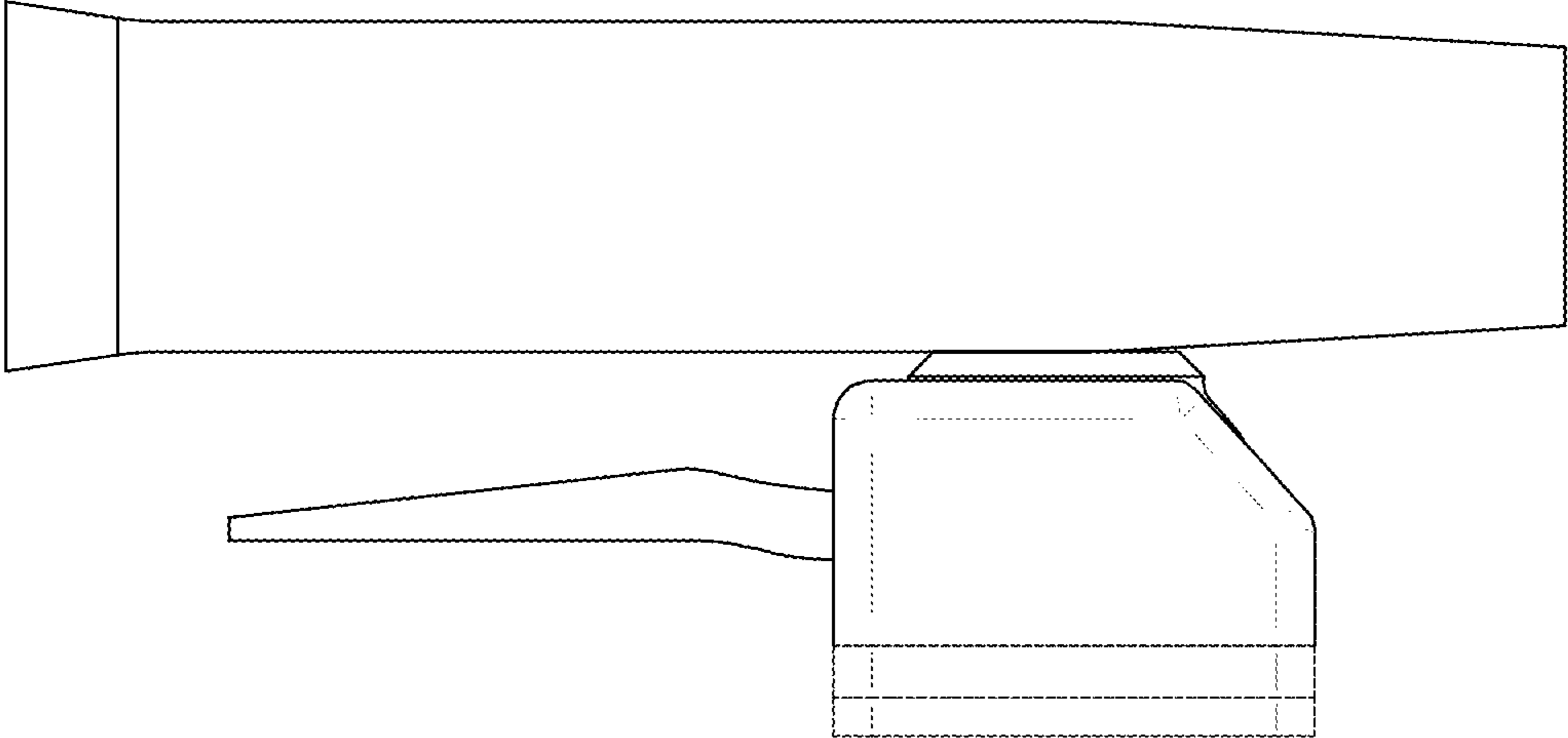


Fig. 2

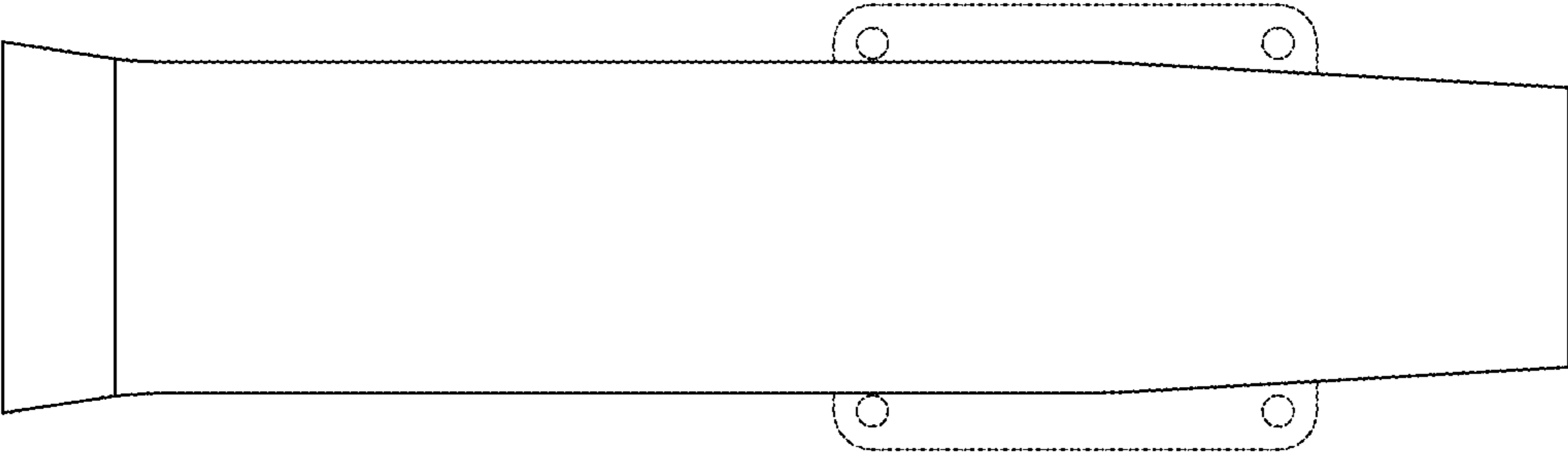


Fig. 3

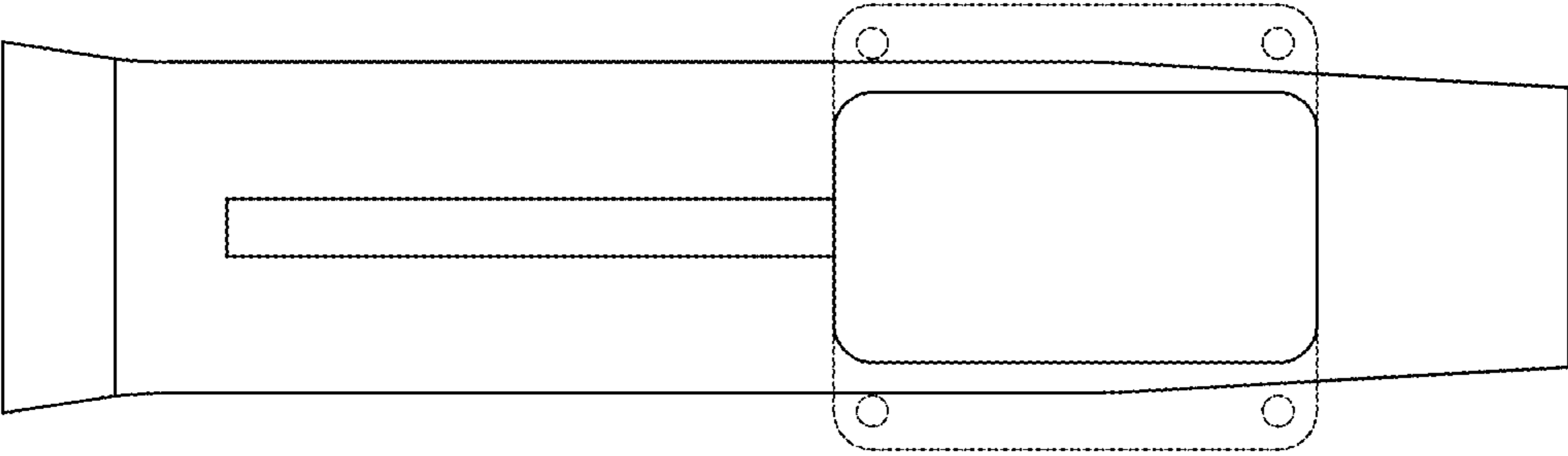


Fig. 4

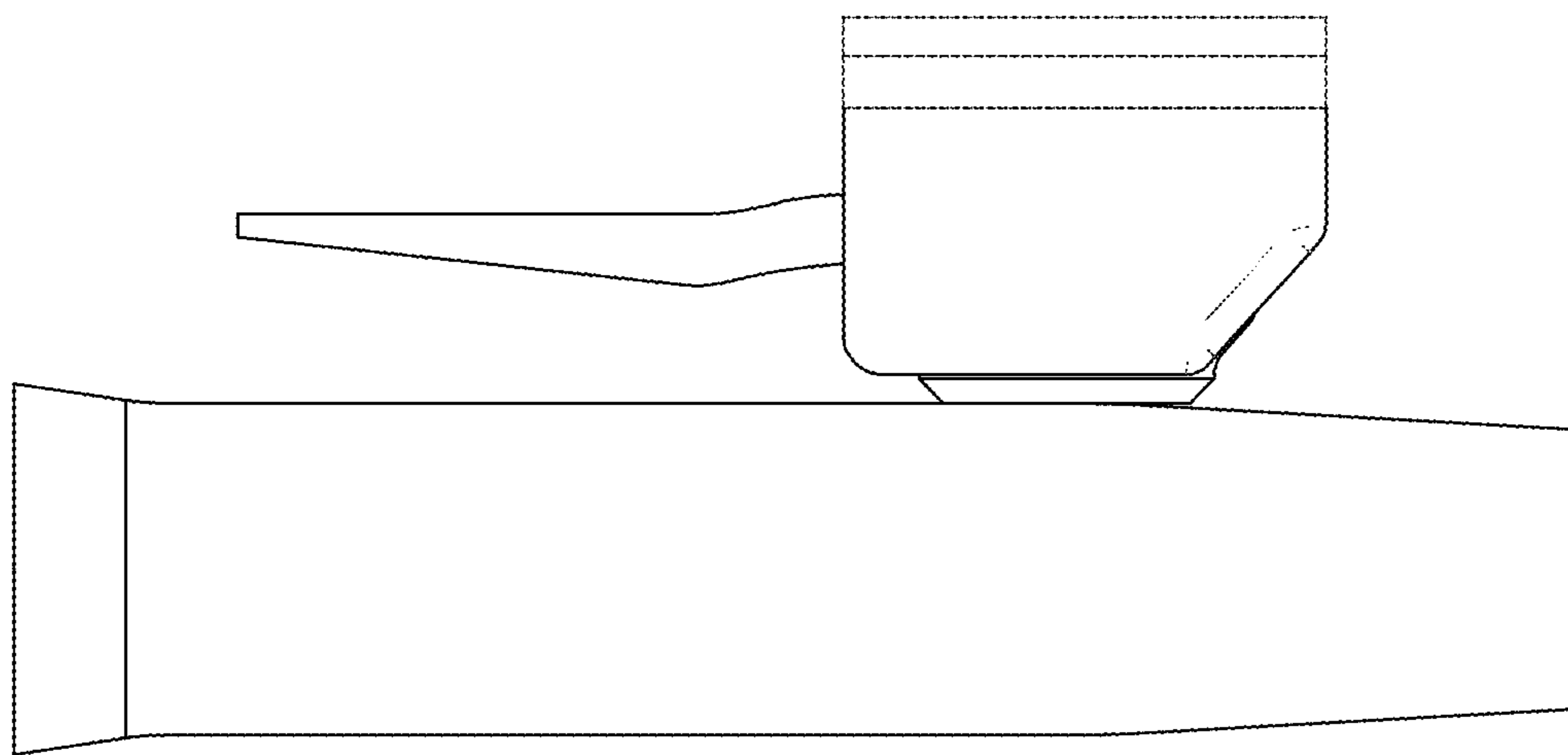


Fig. 5

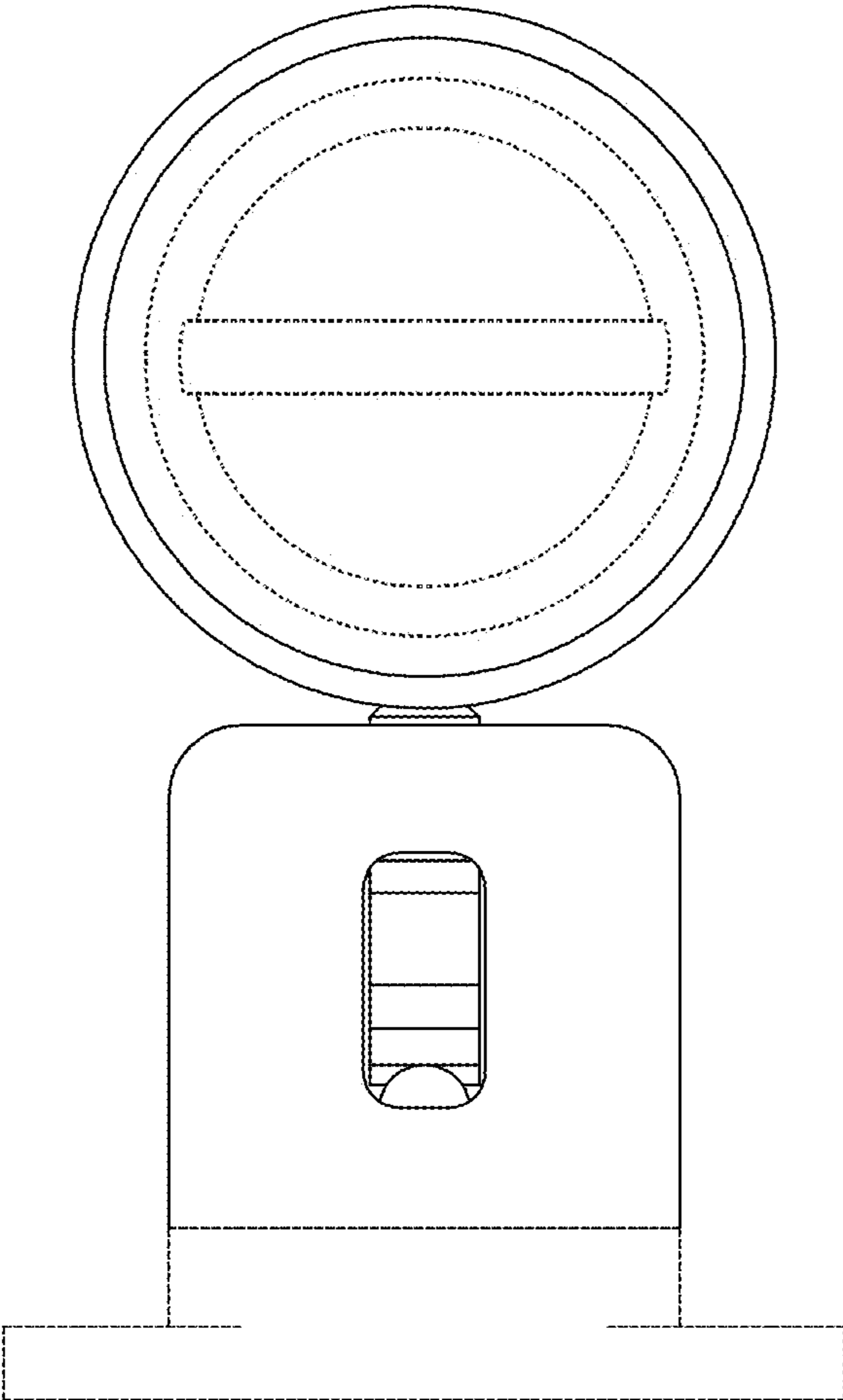


Fig. 6

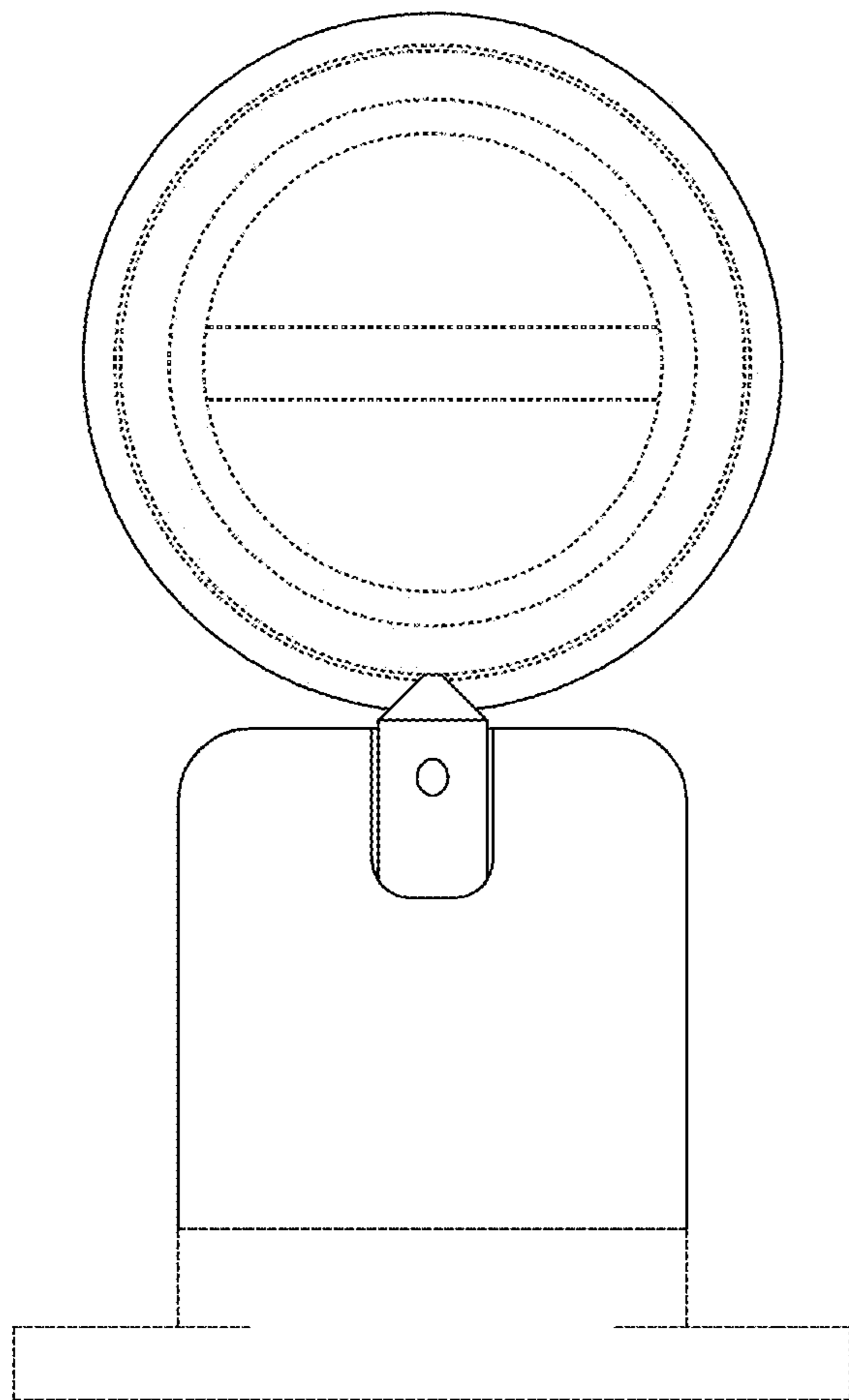


Fig. 7