

US00D968859S

(12) **United States Design Patent** (10) **Patent No.:** **US D968,859 S**
Mao (45) **Date of Patent:** **** Nov. 8, 2022**

(54) **COAT RACK STAND**
(71) Applicant: **Ningbo Xiayan International Trade Co, Ltd., Ningbo (CN)**
(72) Inventor: **Yanfeng Mao, Ningbo (CN)**
(**) Term: **15 Years**
(21) Appl. No.: **29/789,672**
(22) Filed: **Oct. 13, 2021**
(51) **LOC (13) Cl.** **06-04**
(52) **U.S. Cl.**
USPC **D6/681.3**
(58) **Field of Classification Search**
USPC D6/315, 672, 681, 681.1, 681.2, 681.3, D6/682
CPC .. A47F 5/00; A47F 5/0006; A47F 5/04; A47F 5/14; A47F 7/19; A47F 7/24; A47G 25/00; A47G 25/06
See application file for complete search history.

D444,958 S * 7/2001 Lindberg D6/682.6
D536,902 S * 2/2007 Wu D6/680.2
D545,080 S * 6/2007 Massaud D6/681.3
D560,089 S * 1/2008 DeMeyer D6/552
D595,518 S * 7/2009 Zapanta A47G 29/08
D601,817 S * 10/2009 Barbieri D6/327
D625,120 S * 10/2010 Wisniewski D6/681.3
D639,087 S * 6/2011 Wisniewski D6/681.3
D699,486 S * 2/2014 Huang A47G 29/08
D722,461 S * 2/2015 Braun D3/234
D722,796 S * 2/2015 Lievore D6/681.3
D779,241 S * 2/2017 Terada D6/315
D812,398 S * 3/2018 Mendini D6/681.1
D833,185 S * 11/2018 Zhou D6/681.3
D854,863 S * 7/2019 Majer D6/681.1
10,575,635 B1 * 3/2020 Ward A47G 25/0685

(Continued)

Primary Examiner — Steven J Czyz

(57) **CLAIM**

The ornamental design for a coat rack stand, as shown and described.

(56) **References Cited**

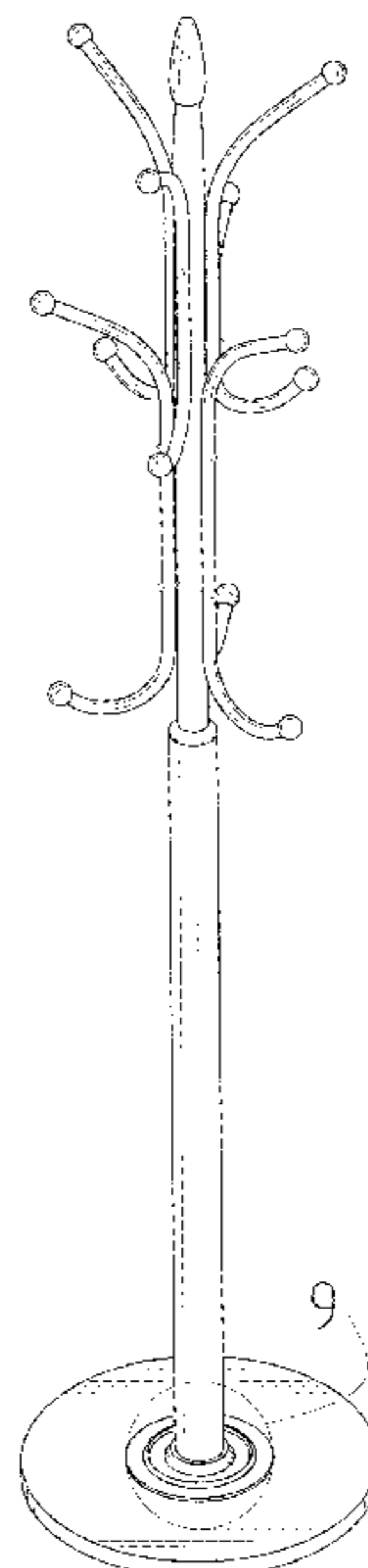
U.S. PATENT DOCUMENTS

2,447,924 A * 8/1948 Vitale A47G 25/0664
211/205
3,204,333 A * 9/1965 Wise A47G 25/0664
211/1
D306,533 S * 3/1990 Fritsch A47G 25/0664
D6/674
D311,288 S * 10/1990 Lee D6/680.2
D326,964 S * 6/1992 Kakuk D6/674
D339,009 S * 9/1993 Evenson D6/681.3
5,318,189 A * 6/1994 Lee A47G 25/0664
211/205
D369,032 S * 4/1996 Huang D6/680
D369,496 S * 5/1996 Bartle D6/681.3
D379,878 S * 6/1997 Vassallo D6/681.1
D407,918 S * 4/1999 Hansen D6/674
D428,278 S * 7/2000 Yang D6/674

DESCRIPTION

FIG. 1 is a first perspective view of a coat rack stand showing my new design;
FIG. 2 is a second perspective view thereof;
FIG. 3 is a front view thereof;
FIG. 4 is a back view thereof;
FIG. 5 is a left side view thereof;
FIG. 6 is a right side view thereof;
FIG. 7 is a top view thereof;
FIG. 8 is a bottom view thereof; and,
FIG. 9 is an enlarged view of the selected portion in FIG. 1.
The broken lines shown in the drawings depict portions of the coat rack stand in which the design is embodied that form no part of the claimed design.

1 Claim, 9 Drawing Sheets



(56)

References Cited

U.S. PATENT DOCUMENTS

D885,809 S * 6/2020 Song A47G 25/0664
D6/681.3
D885,810 S * 6/2020 Song D6/681.3
D923,374 S * 6/2021 Bongiorno D6/681.3
2006/0284032 A1* 12/2006 Gliatis A47G 25/0664
248/127
2012/0055893 A1* 3/2012 Wisniewski A47G 25/0664
211/85.3

* cited by examiner

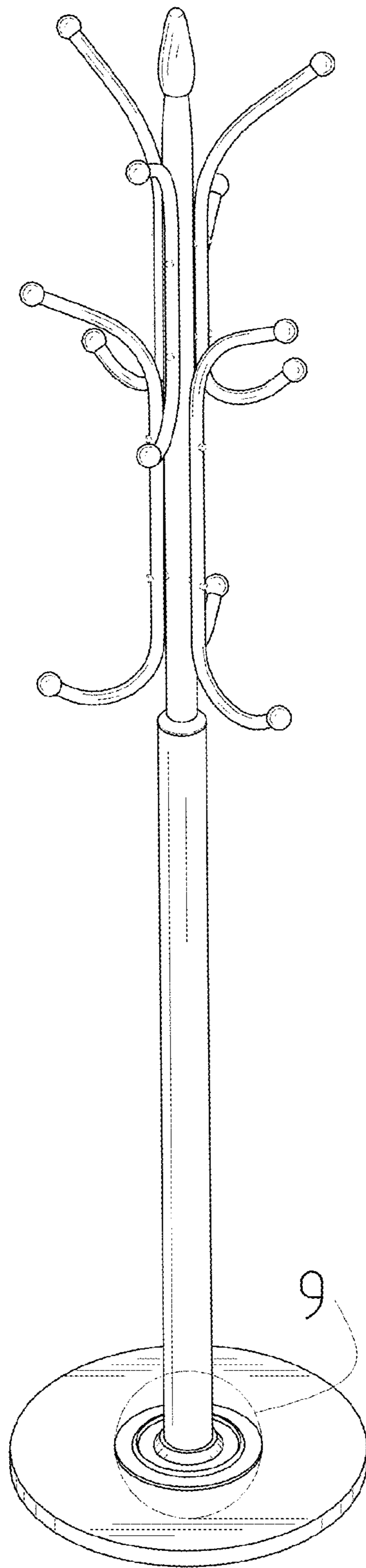


FIG. 1

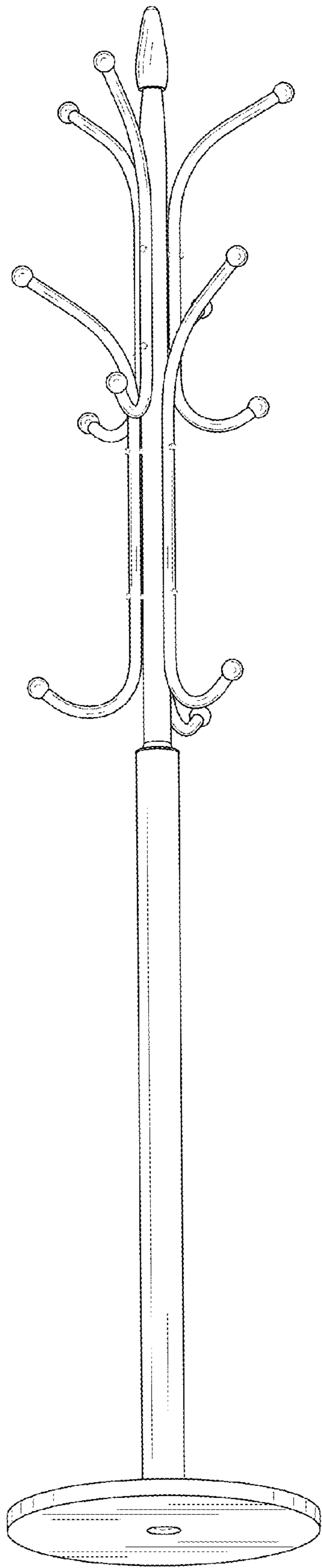


FIG. 2

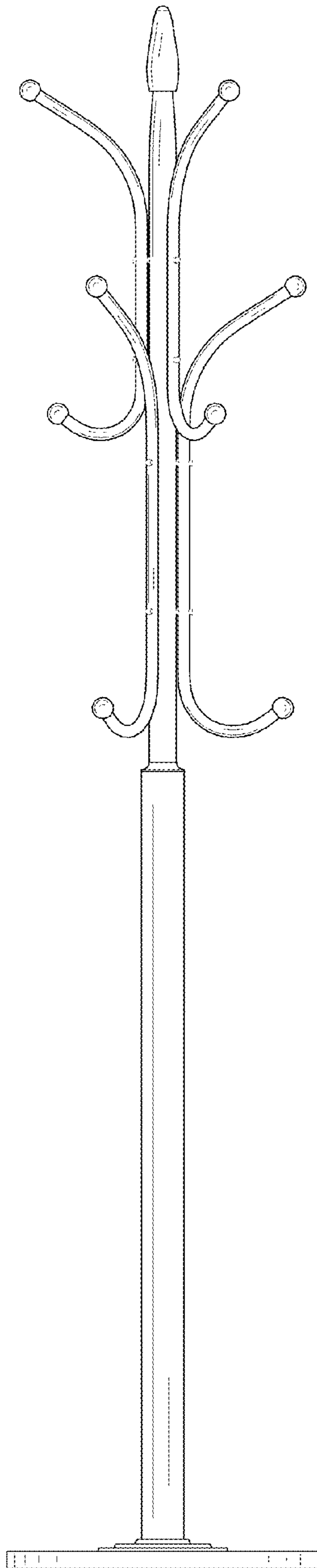


FIG. 3

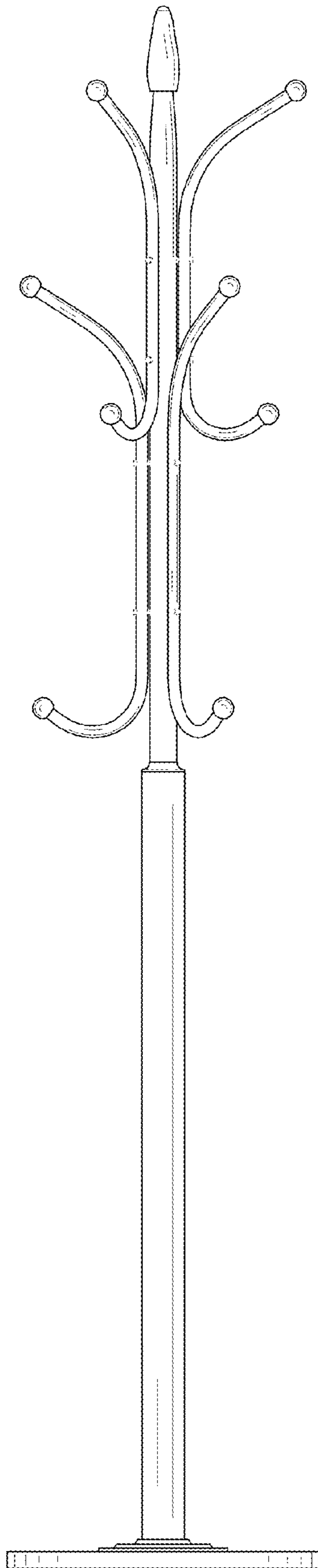


FIG. 4

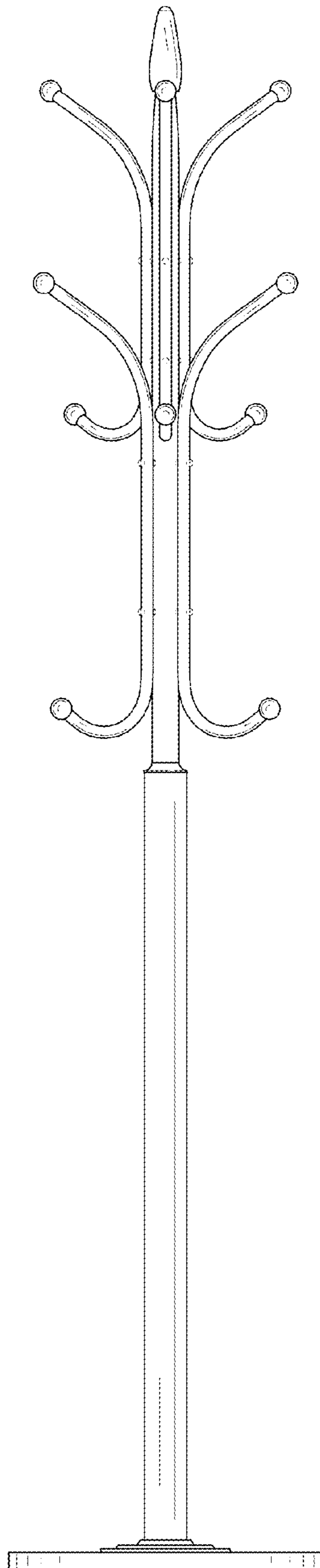


FIG. 5

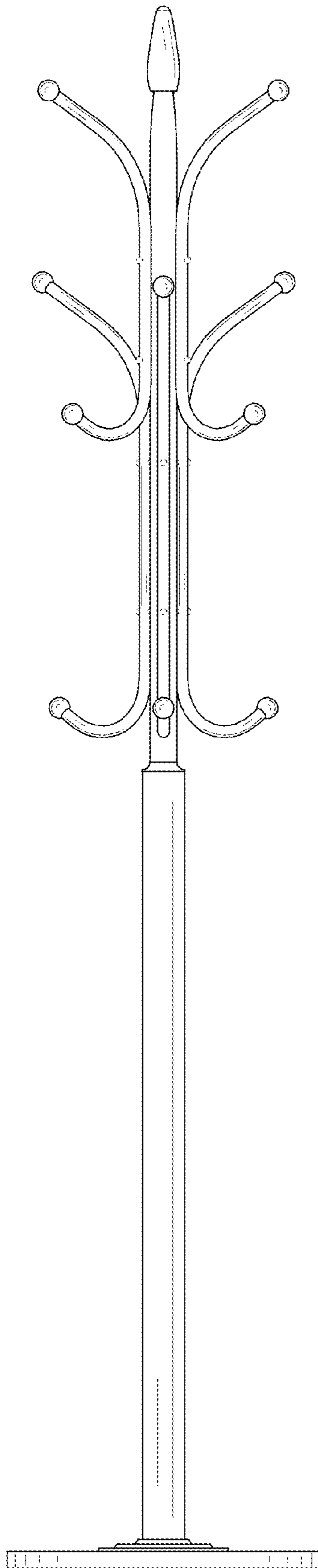


FIG. 6

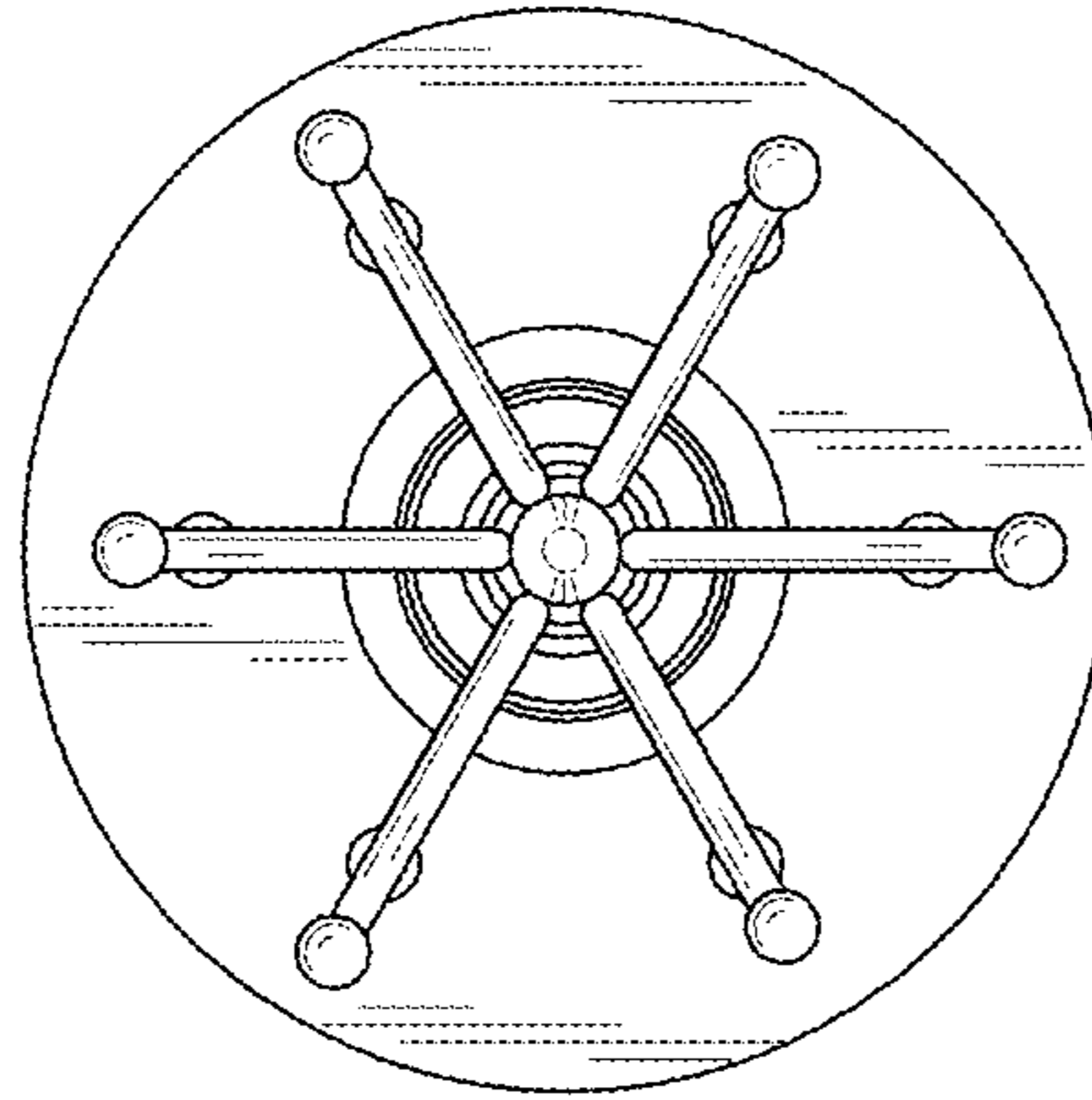


FIG. 7

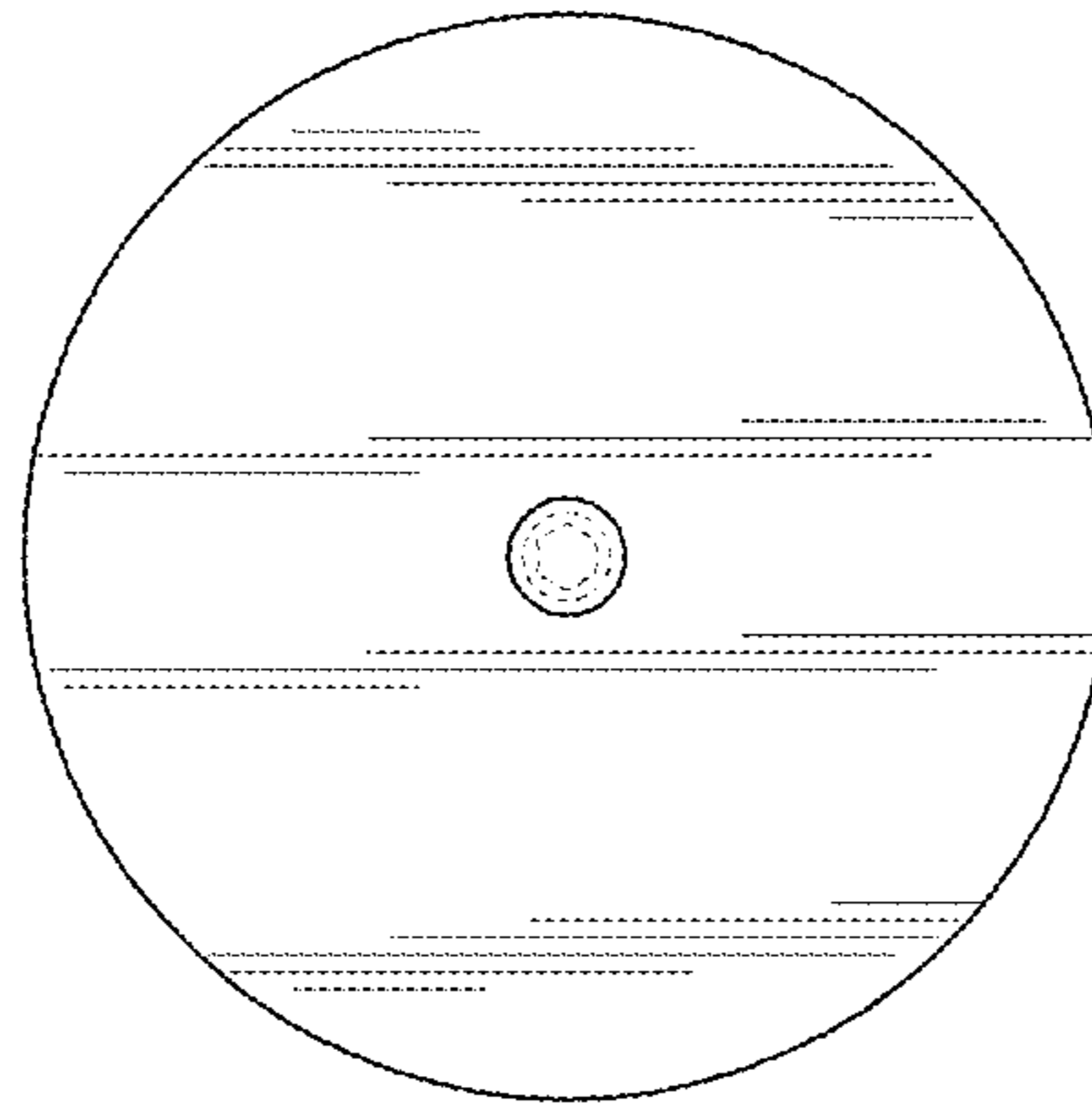


FIG. 8

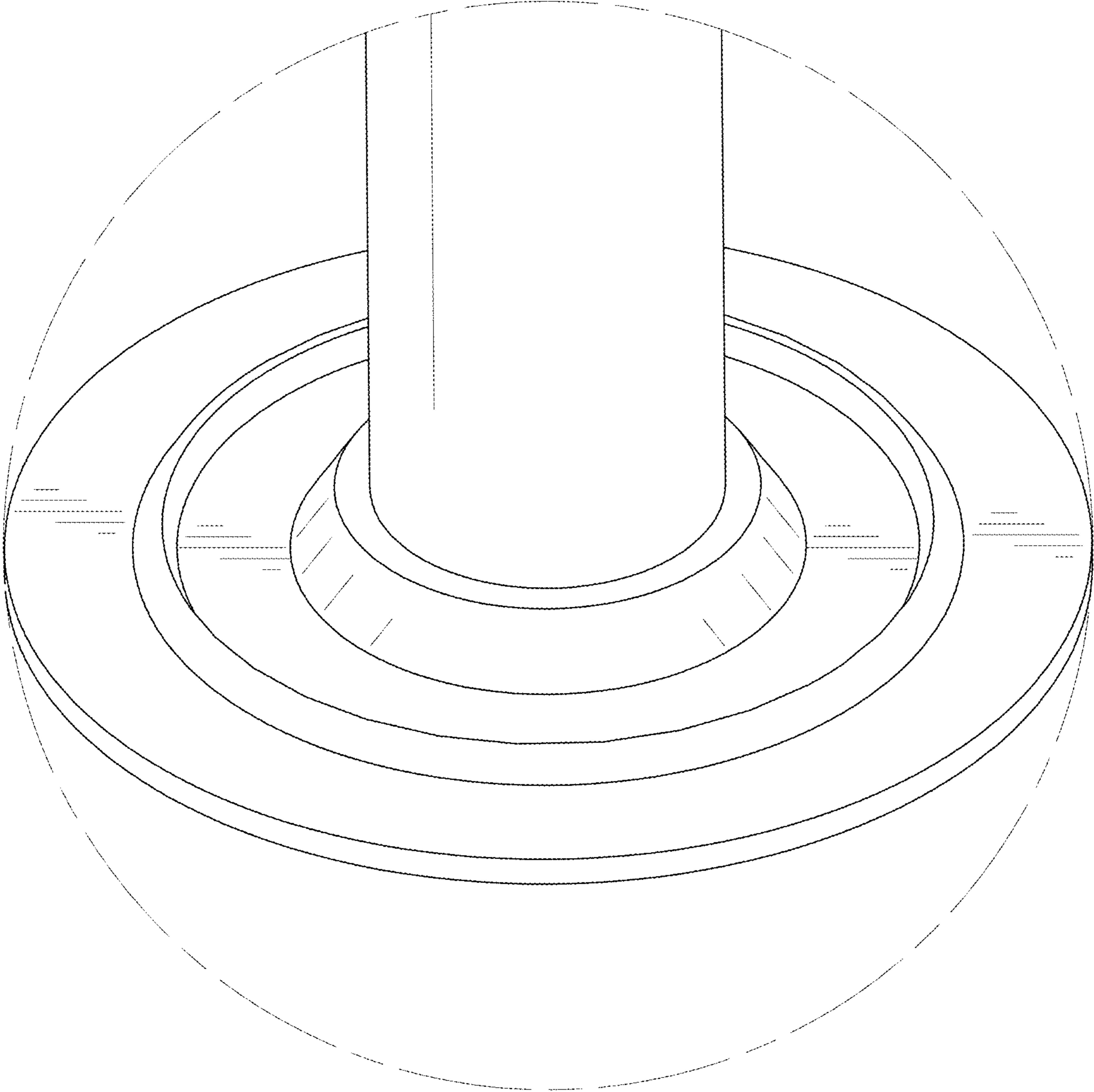


FIG. 9