



US00D968855S

(12) **United States Design Patent**  
**Huang**

(10) **Patent No.:** **US D968,855 S**

(45) **Date of Patent:** **\*\* Nov. 8, 2022**

- (54) **GARMENT STORAGE RACK**
- (71) Applicant: **Lulu Huang**, Hangzhou (CN)
- (72) Inventor: **Lulu Huang**, Hangzhou (CN)

635,553 A \* 10/1899 Kippels ..... A47F 5/108  
211/183  
753,993 A \* 3/1904 Mauran ..... D06F 57/08  
211/198  
1,569,358 A \* 1/1926 Cross ..... A47B 61/00  
403/205

(\*\*) Term: **15 Years**

(Continued)

(21) Appl. No.: **29/791,493**

**FOREIGN PATENT DOCUMENTS**

(22) Filed: **Jan. 13, 2022**

CN 304243947 \* 8/2017  
CN 304259783 \* 8/2017

(51) **LOC (13) Cl.** ..... **06-04**

**OTHER PUBLICATIONS**

(52) **U.S. Cl.**

USPC ..... **D6/672**

(58) **Field of Classification Search**

USPC ..... D6/672, 673, 375, 675.1, 675.3, 675.4,  
D6/675.5, 676, 676.1, 676.3, 676.4,  
D6/676.5, 679, 680, 680.1, 680.2, 680.3,  
D6/315, 316, 317, 318, 319, 320, 325,  
D6/326, 321

Outdoor Wood Cookware Hanging Rack by MIXFEER, first avail-  
able: Unknown. Walmart.com [online], [site visited Jun. 6, 2022],  
Internet URL: [https://www.amazon.com/dp/B09NBNLFY6/ref=emc\\_b\\_5\\_t?th=1](https://www.amazon.com/dp/B09NBNLFY6/ref=emc_b_5_t?th=1) (Year: 2022).\*

(Continued)

CPC ..... D06F 57/06; D06F 57/08; D06F 81/006;  
A47B 47/00; A47B 3/02; A47B 96/028;  
A47B 96/024; A47G 25/0664; A47G  
25/06; A47G 25/0692; A47G 25/1464;  
A47G 25/18; A47G 25/02; A47G  
25/4038; A47G 25/442; A47G 25/485;  
A47G 25/743; A47F 7/24; A47F 5/13;  
A47F 5/14; A47F 7/19; A47F 13/00;  
A47F 5/0006; A47F 5/108; A47F 5/10;  
A47F 5/103; A47F 5/12; A47F 7/10

*Primary Examiner* — Steven J Czyz  
*Assistant Examiner* — Hillary Catherine Shepard

(57)

**CLAIM**

The ornamental design for a garment storage rack, as shown and described.

See application file for complete search history.

**DESCRIPTION**

FIG. 1 is a front and top perspective view of a garment storage rack, showing my new design;  
FIG. 2 is a rear and bottom perspective view thereof;  
FIG. 3 is a front elevation view thereof;  
FIG. 4 is a rear elevation view thereof;  
FIG. 5 is a left side elevation view thereof;  
FIG. 6 is a right side elevation view thereof;  
FIG. 7 is a top plan view thereof;  
FIG. 8 is a bottom plan view thereof; and,  
FIG. 9 is another perspective view thereof, shown in an alternative position.

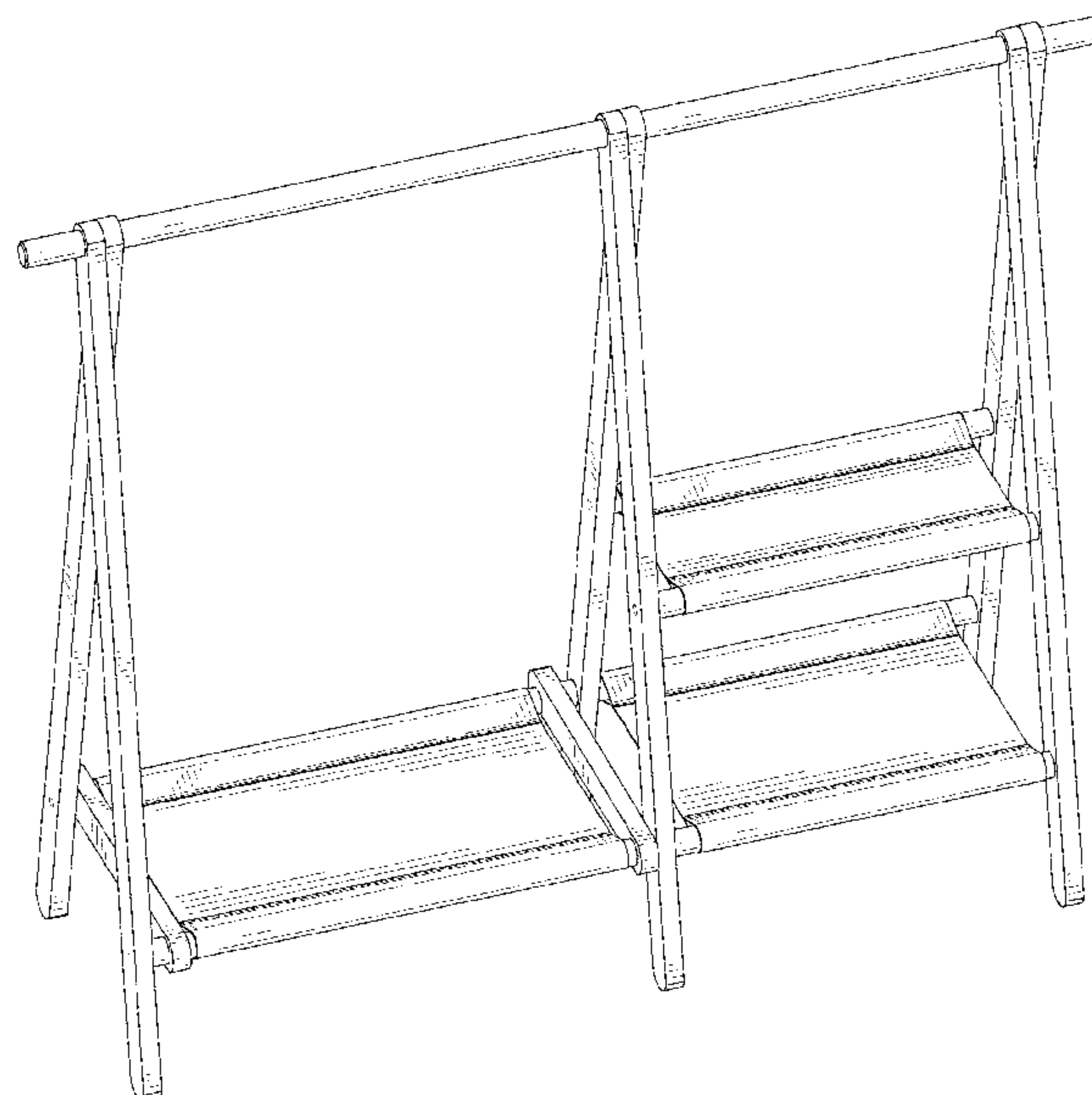
The broken lines in the figures illustrate portions of the garment storage rack that form no part of the claimed design.

(56) **References Cited**

**U.S. PATENT DOCUMENTS**

19,107 A \* 1/1858 Stone ..... D06F 57/08  
211/198  
401,264 A \* 4/1889 Fuller ..... D06F 57/08  
211/198

**1 Claim, 9 Drawing Sheets**



(56)

References Cited

U.S. PATENT DOCUMENTS

1,605,506 A \* 11/1926 Brunhoff ..... A47F 5/13  
211/198  
2,119,442 A \* 5/1938 Robinson ..... A47F 5/13  
211/181.1  
D164,500 S \* 9/1951 Ives ..... 211/182  
2,706,829 A \* 4/1955 Charnin ..... A47B 3/02  
16/376  
2,948,410 A \* 8/1960 Maddox ..... A47G 25/0664  
108/118  
2,971,657 A \* 2/1961 Zadek ..... A47B 57/42  
D6/675.1  
3,119,497 A \* 1/1964 Levy ..... A47F 7/24  
D20/42  
3,303,938 A \* 2/1967 Solomon ..... A47F 7/24  
280/33.997  
3,483,999 A \* 12/1969 Barrett ..... A47F 7/24  
482/37  
3,805,966 A \* 4/1974 Wakeman ..... A47F 7/143  
211/175  
D257,987 S \* 1/1981 Schoenig ..... D17/9  
D292,457 S \* 10/1987 Hunter ..... D6/682.2  
D306,103 S \* 2/1990 Arnold ..... D6/675.2  
D347,129 S \* 5/1994 Zinke ..... D6/682.2  
D356,907 S \* 4/1995 Jernigan ..... D6/682.6  
D417,536 S \* 12/1999 Sum ..... D32/58  
D451,304 S \* 12/2001 Felsenthal ..... D6/678.4  
D451,705 S \* 12/2001 Rankin ..... D6/681.1  
6,932,227 B1 \* 8/2005 Glenn ..... D06F 57/08  
211/202  
D564,165 S \* 3/2008 King ..... D32/58  
8,342,342 B1 \* 1/2013 Vandelaar ..... D06F 57/12  
211/198  
8,528,919 B2 \* 9/2013 Webster ..... B62B 3/108  
280/651  
D711,494 S \* 8/2014 Bell ..... D22/113  
D749,879 S \* 2/2016 Wall ..... D6/680.3

D753,940 S \* 4/2016 Ruiz ..... D6/681  
D804,224 S \* 12/2017 Robins ..... D6/675.4  
D804,831 S \* 12/2017 Neri ..... D6/321  
D806,188 S \* 12/2017 Petek ..... D21/686  
D808,101 S \* 1/2018 Greenspon ..... D32/58  
D808,203 S \* 1/2018 Davis ..... D6/675.3  
D809,835 S \* 2/2018 Greenspon ..... D6/681  
D819,374 S \* 6/2018 Kuehn ..... D6/681.2  
D829,473 S \* 10/2018 Mical ..... D6/681  
D851,429 S \* 6/2019 Greenspon ..... D6/675.4  
D854,863 S 7/2019 Majer  
10,344,912 B1 \* 7/2019 Angsutrarux ..... F16M 11/10  
D884,398 S \* 5/2020 Lai ..... D6/681.1  
D909,104 S \* 2/2021 Lai ..... D6/681.2  
D923,274 S \* 6/2021 Cui ..... D32/58  
D923,370 S \* 6/2021 Davis ..... D6/675.3  
2005/0103737 A1 \* 5/2005 Paventi ..... A47F 5/0838  
211/206  
2009/0184073 A1 \* 7/2009 Lu ..... A47G 25/0664  
211/198  
2018/0160801 A1 \* 6/2018 Felsenthal ..... F16B 7/042

OTHER PUBLICATIONS

Dress up Storage Kids Clothing Rack Wardrobe with 2-Tier Storage Shelf by VOGUSLAND, first available: Dec. 9, 2021. Amazon.com [online], [site visited Jun. 7, 2022], Internet URL: [https://www.amazon.com/dp/B09NBNLFY6/ref=emc\\_b\\_5\\_t?th=1](https://www.amazon.com/dp/B09NBNLFY6/ref=emc_b_5_t?th=1) (Year: 2021).  
Floor Standing Clothes Rail by KHHBJ, first available: Jun. 12, 2021. Amazon.com [online], [site visited Jun. 6, 2022], Internet URL: [https://www.amazon.com/dp/B09748VDNY/ref=sbl\\_dpx\\_furniture-coat-racks-and-hall-trees\\_B0834PJV4M\\_0](https://www.amazon.com/dp/B09748VDNY/ref=sbl_dpx_furniture-coat-racks-and-hall-trees_B0834PJV4M_0) (Year: 2021).  
Walnut Top Clothes Rail Bottom Cloth Pocket by Coat Rack, first available: Dec. 26, 2019. Amazon.com [online], [site visited Jun. 6, 2022], Internet URL: [https://www.amazon.com/dp/B0834PJV4M/ref=sbl\\_dpx\\_furniture-coat-racks-and-hall-trees\\_B098SQGL2B\\_0?th=1](https://www.amazon.com/dp/B0834PJV4M/ref=sbl_dpx_furniture-coat-racks-and-hall-trees_B098SQGL2B_0?th=1) (Year: 2019).\*

\* cited by examiner

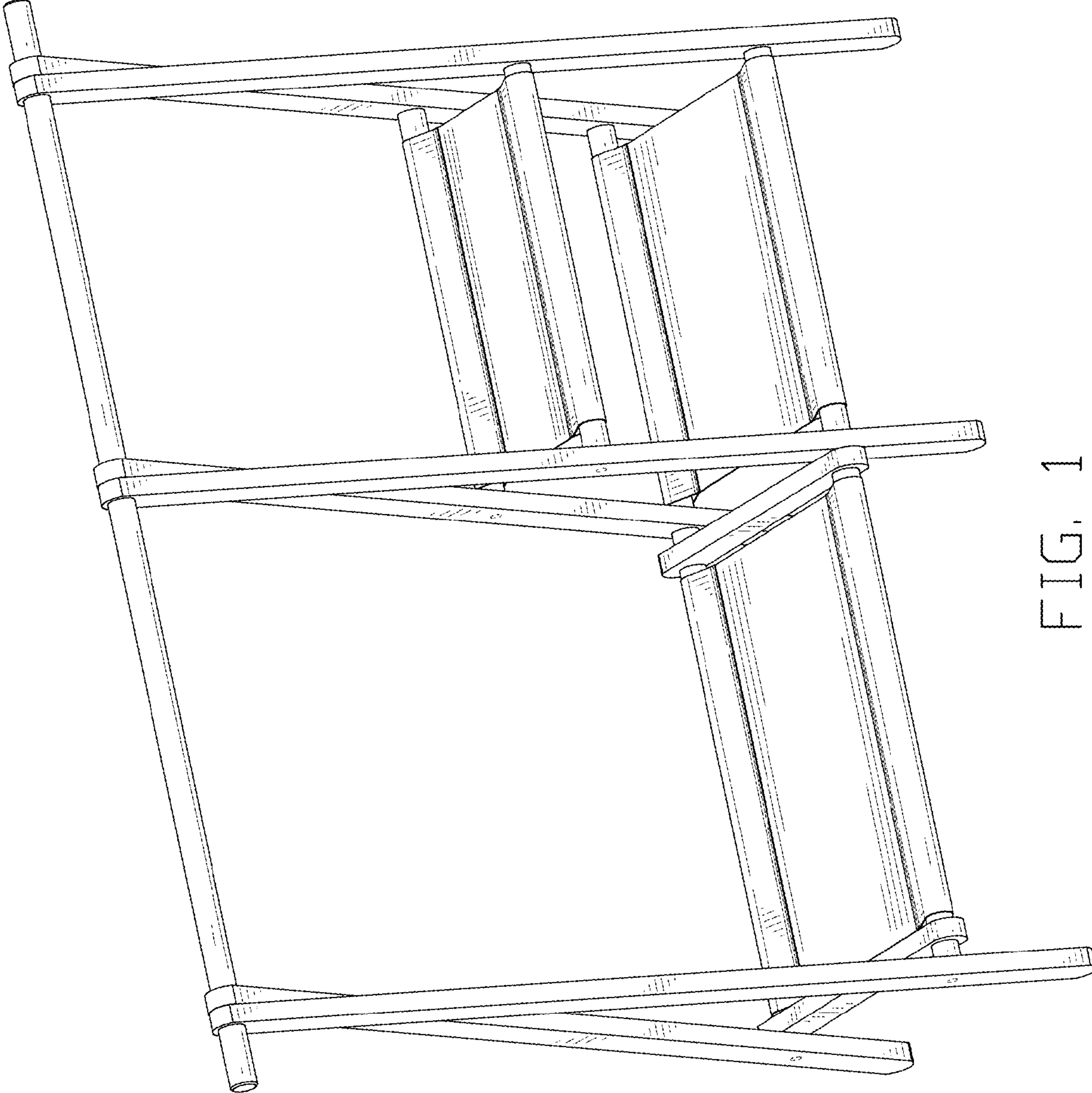


FIG. 1



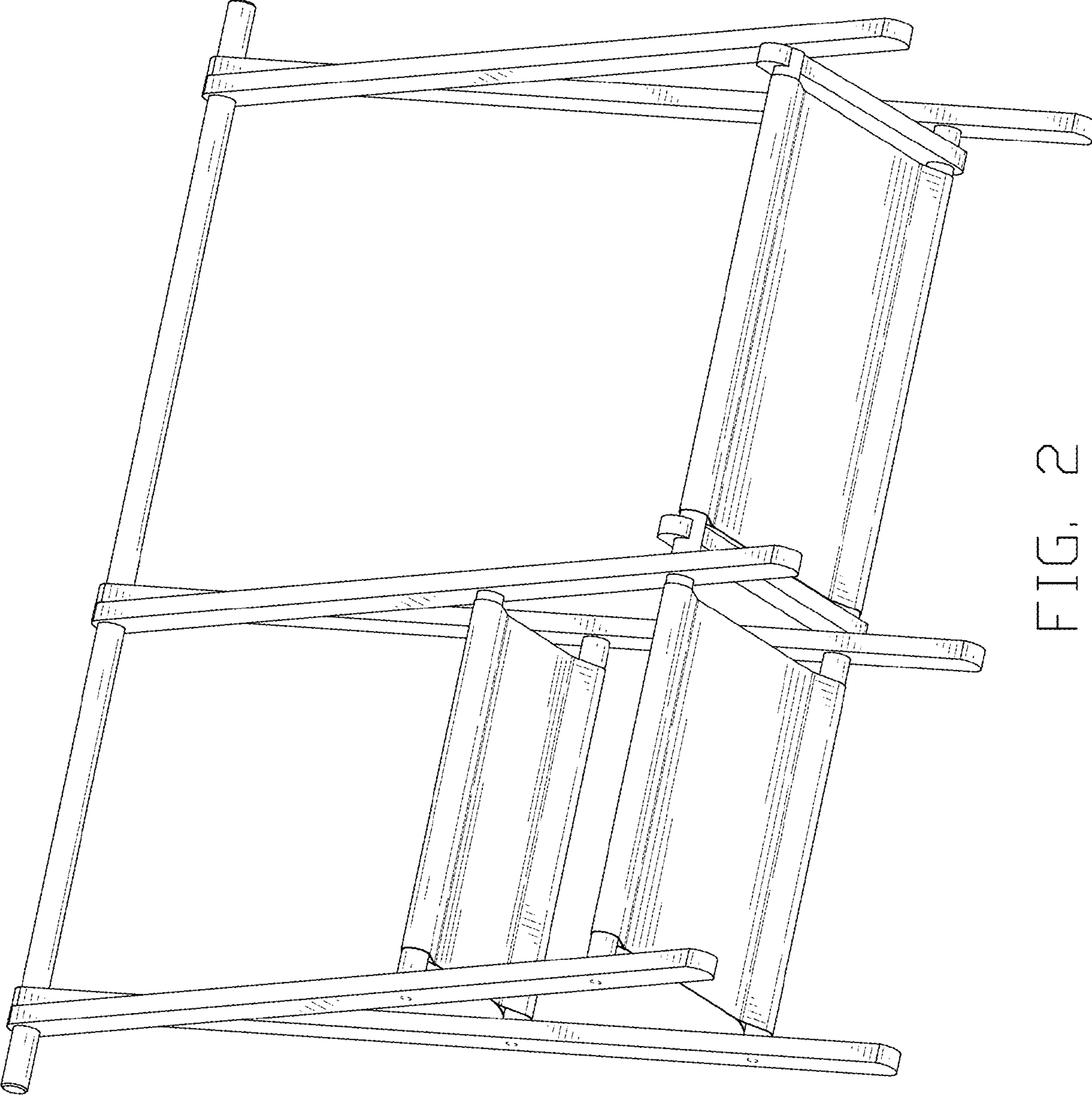


FIG. 2

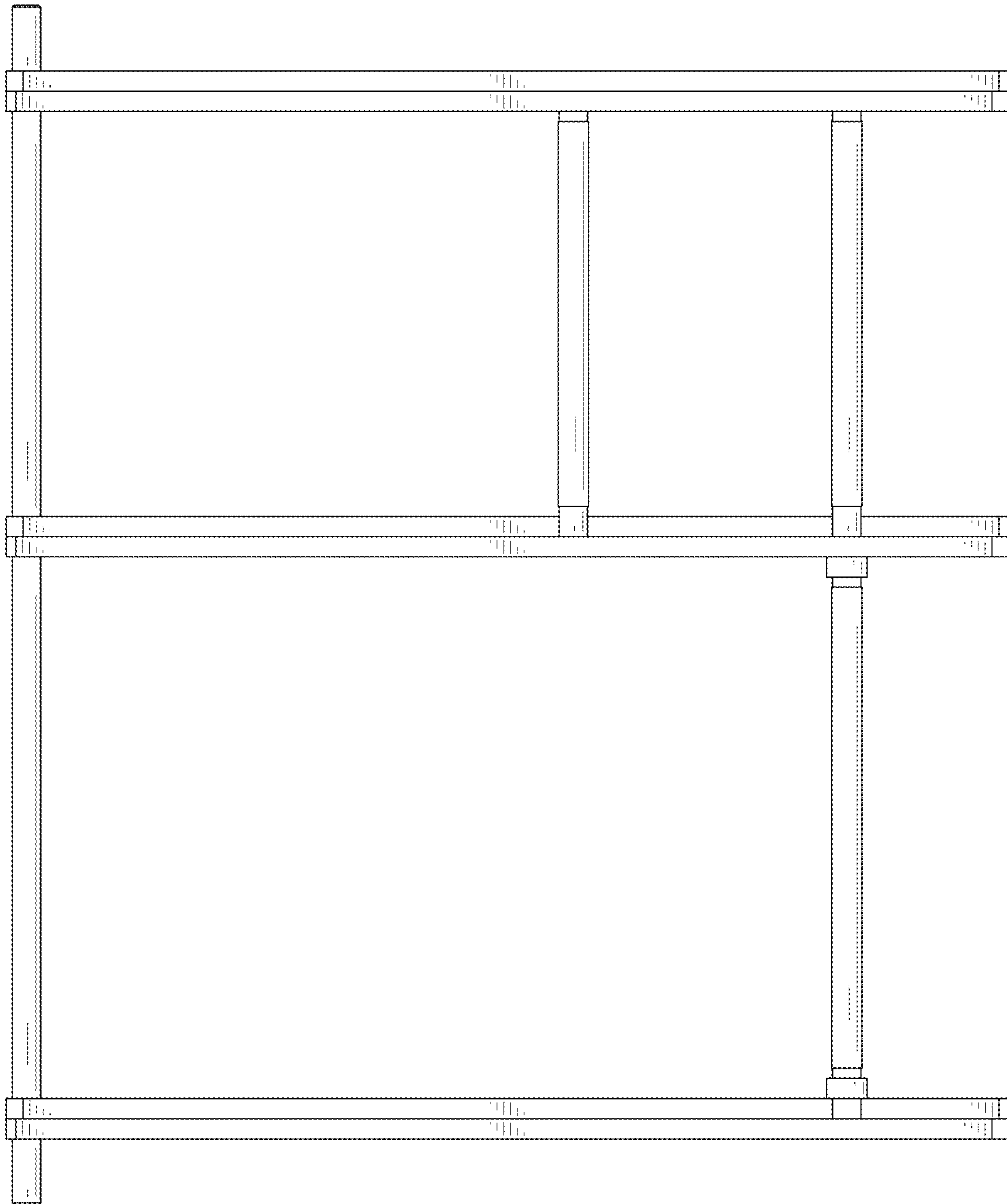


FIG. 3

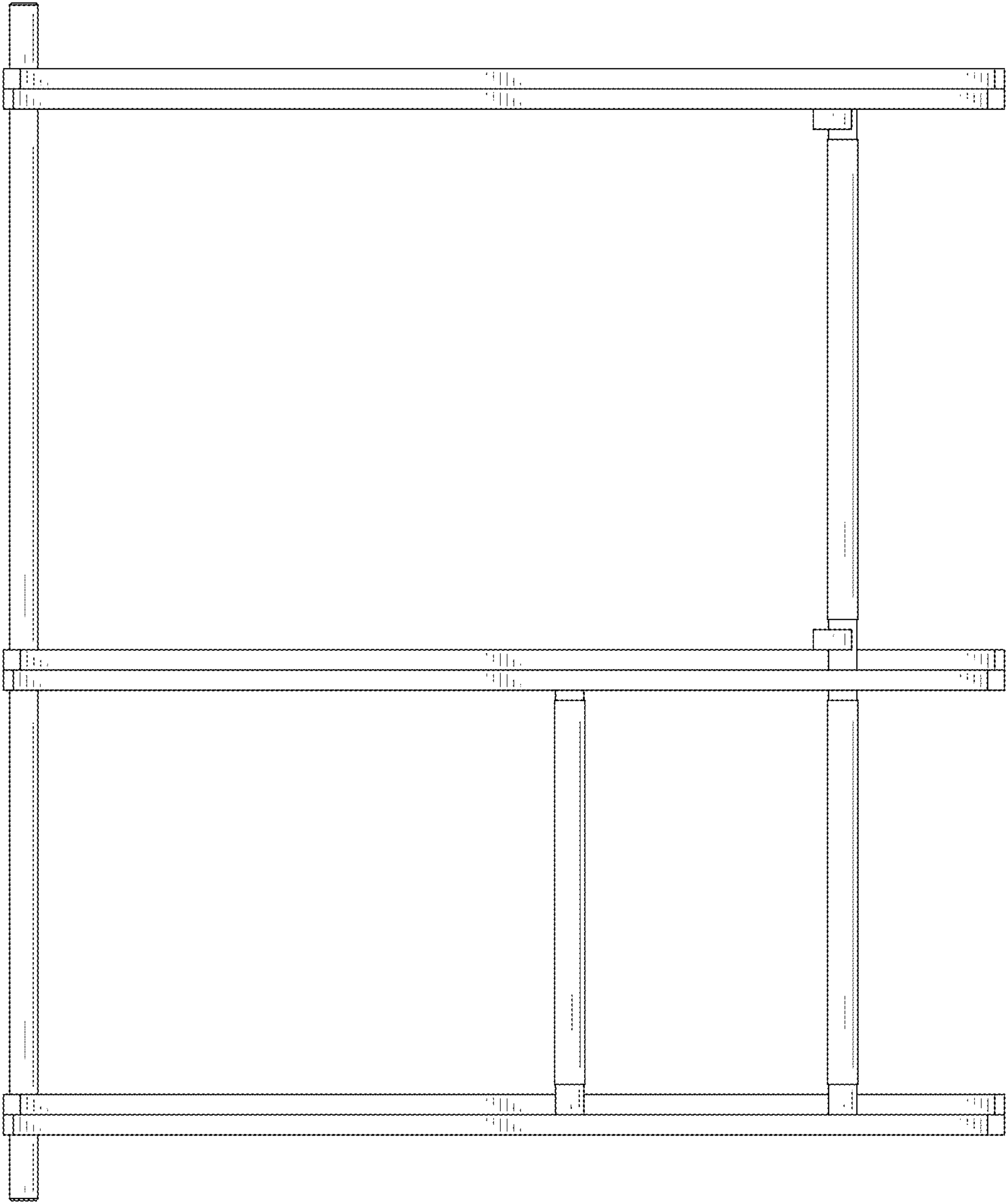


FIG. 4

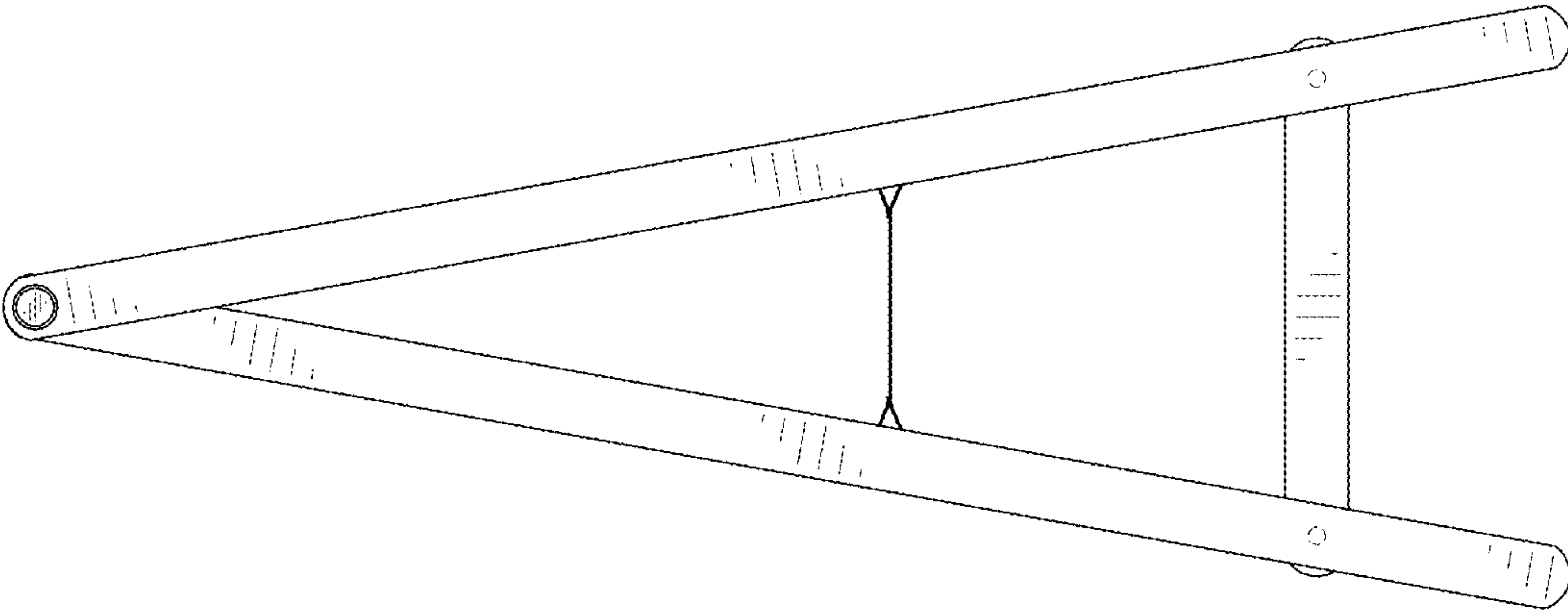


FIG. 5

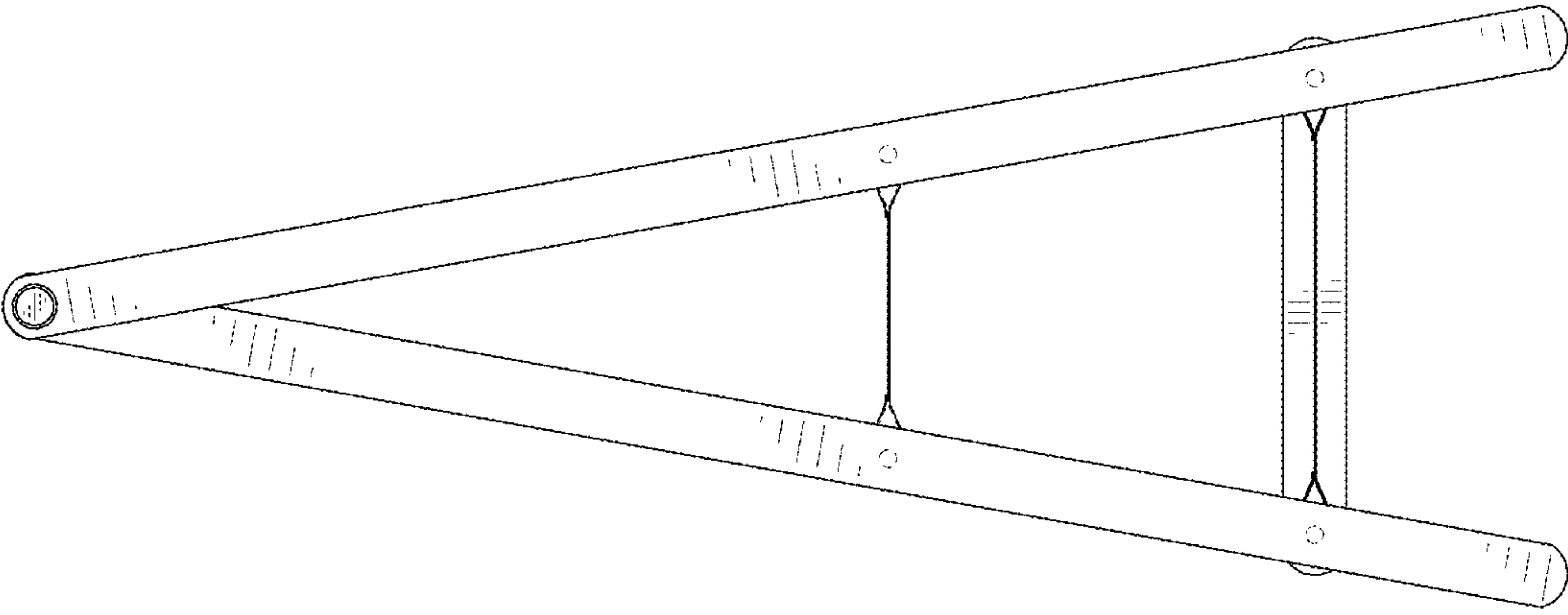


FIG. 6



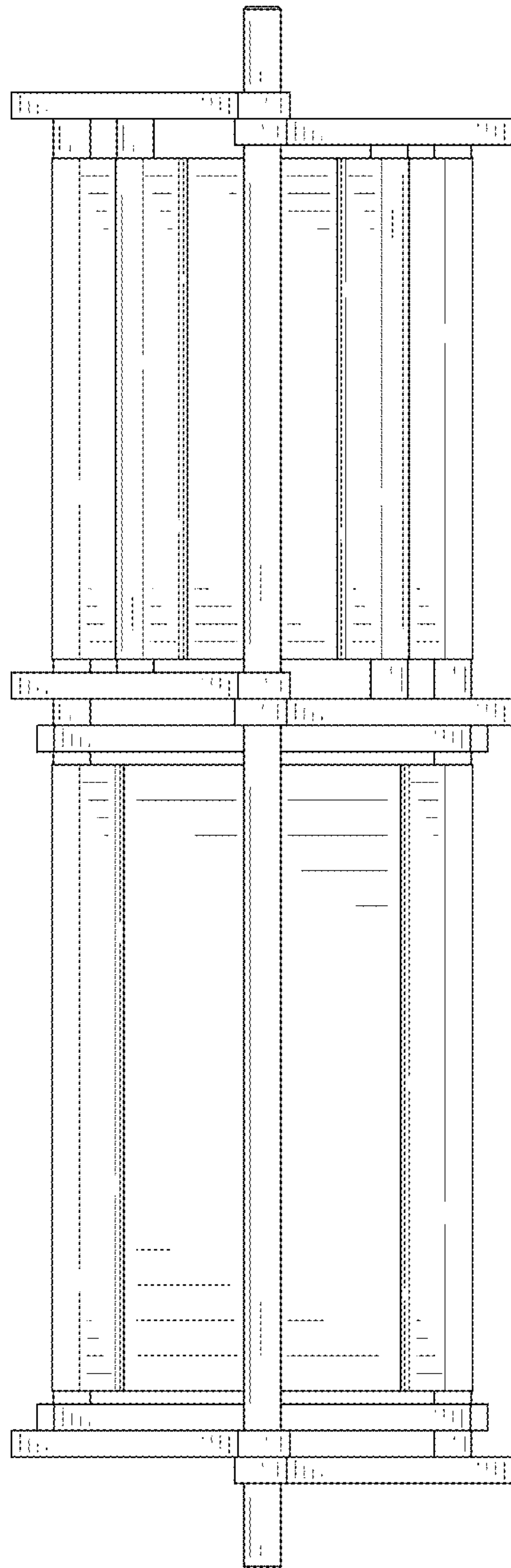


FIG. 7

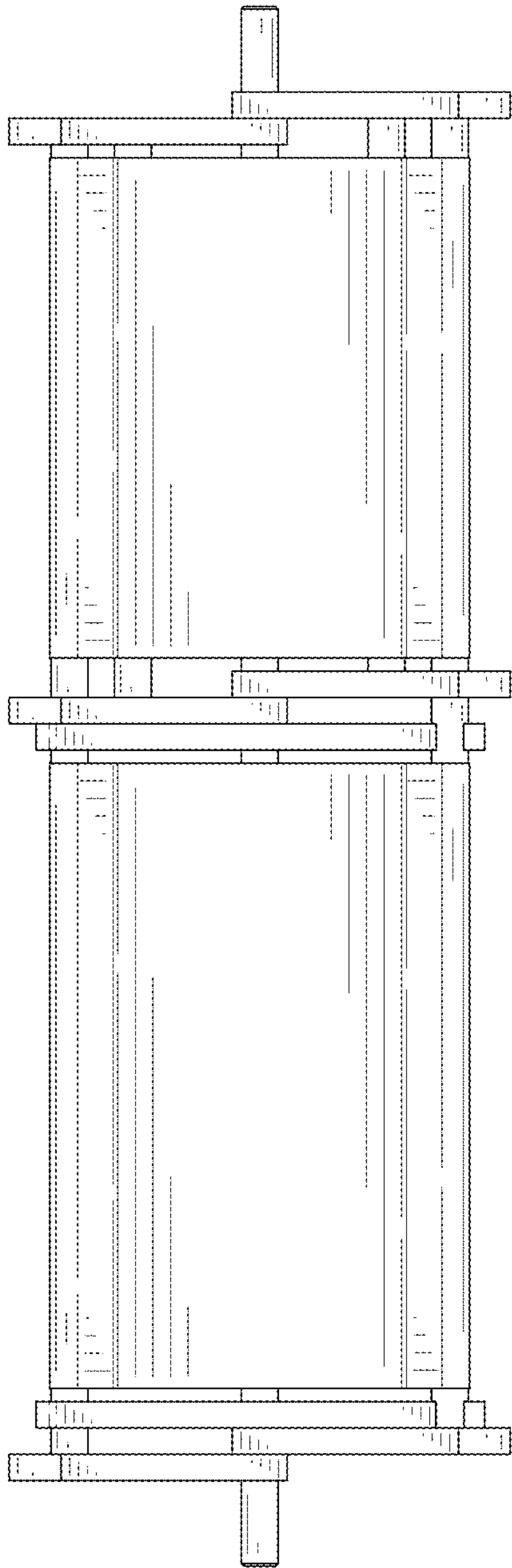


FIG. 8

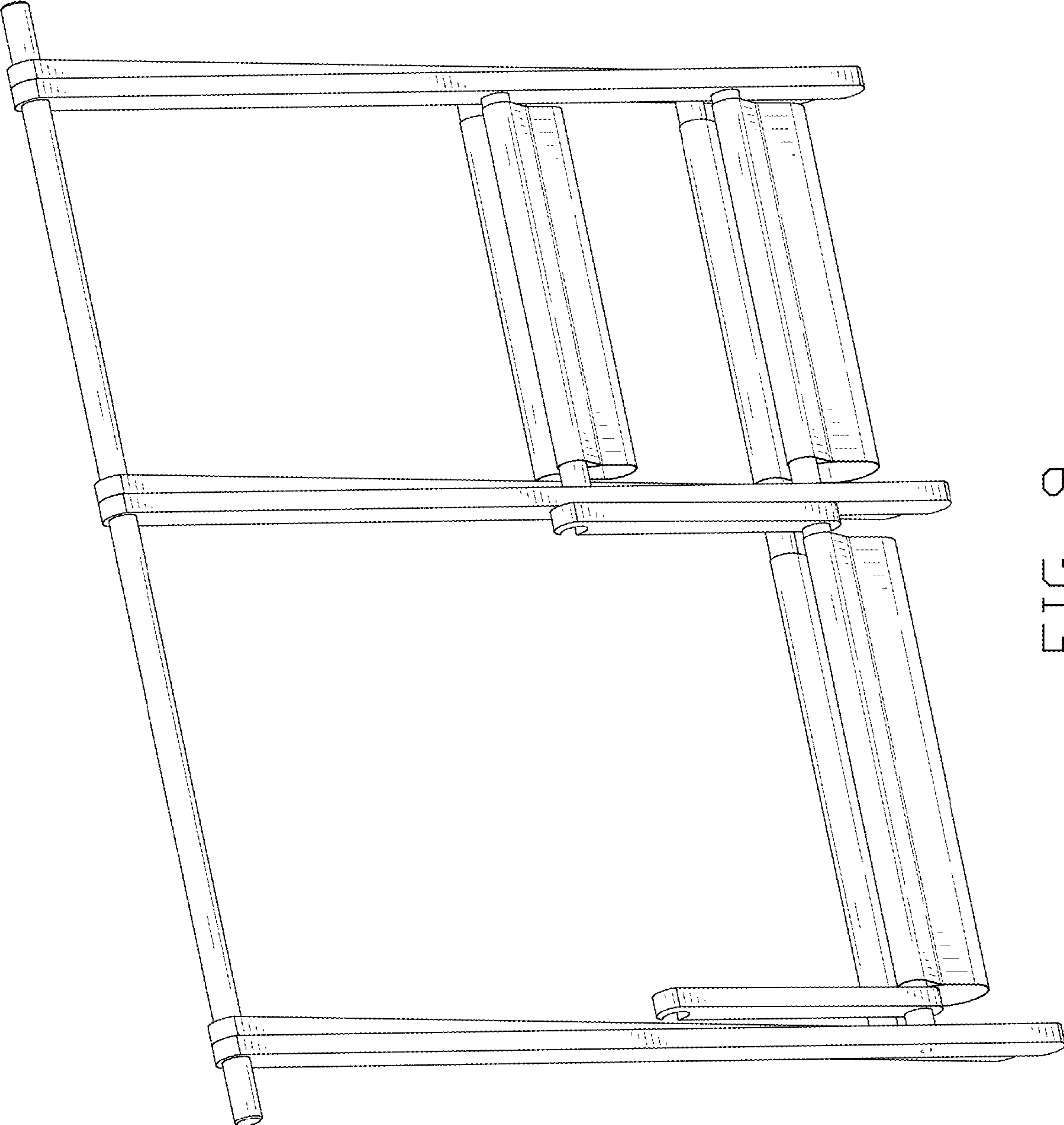


FIG. 9