



US00D968851S

(12) **United States Design Patent**
Deng et al.

(10) **Patent No.:** **US D968,851 S**

(45) **Date of Patent:** **** Nov. 8, 2022**

(54) **CAR CAMPING MAT**

(71) Applicant: **GUANGZHOU DAOHE TRADING CO., LTD.**, Guangzhou (CN)

(72) Inventors: **Tingliang Deng**, Guangzhou (CN);
Guangyang Li, Guangzhou (CN)

(73) Assignee: **GUANGZHOU DAOHE TRADING CO., LTD.**, Guangzhou (CN)

(**) Term: **15 Years**

(21) Appl. No.: **29/825,172**

(22) Filed: **Jan. 28, 2022**

(30) **Foreign Application Priority Data**

Sep. 30, 2021 (CN) 202130652052.8

(51) **LOC (13) Cl.** **06-09**

(52) **U.S. Cl.**
USPC **D6/604**

(58) **Field of Classification Search**
USPC D12/203, 221; D6/595-609; D21/803,
D21/809
CPC A47C 17/64; A47C 17/80; A47C 20/027;
A47C 27/081; A47C 27/084; A47C
27/088
See application file for complete search history.

(56) **References Cited**

U.S. PATENT DOCUMENTS

- 1,785,252 A * 12/1930 Frank A47C 27/001
5/722
- 2,247,667 A * 7/1941 Rosberger A47C 27/001
5/501
- D308,454 S * 6/1990 Merli D6/596
- 4,965,901 A * 10/1990 Normand A47C 27/128
5/710
- D407,937 S * 4/1999 Klimenko D6/601
- 5,966,755 A * 10/1999 Pittman A47C 17/80
5/118

- 5,974,608 A * 11/1999 Haller A47C 27/084
5/709
- D424,358 S * 5/2000 Wang D6/596
- D475,566 S * 6/2003 Boso D6/604
- D517,973 S * 3/2006 Gosse D12/221
- D522,181 S * 5/2006 Lauzon D30/118
- D591,097 S * 4/2009 DeLong D6/601

(Continued)

OTHER PUBLICATIONS

Tescamp Camping Mattress for Tesla Model Y/X CertiPUR Memory Foam Mattress, Storage Bag & Sheet Provided, Portable, Space Saver, in Car Sleeping, Twin Size; Oct. 12, 2021; <https://www.amazon.com/Mattress-CertiPUR-Provided-Portable-Sleeping/dp/B09J8MVRN1>; 11Pgs. (Year: 2021).*

Primary Examiner — Michelle E. Wilson

Assistant Examiner — Clese Moore, Jr.

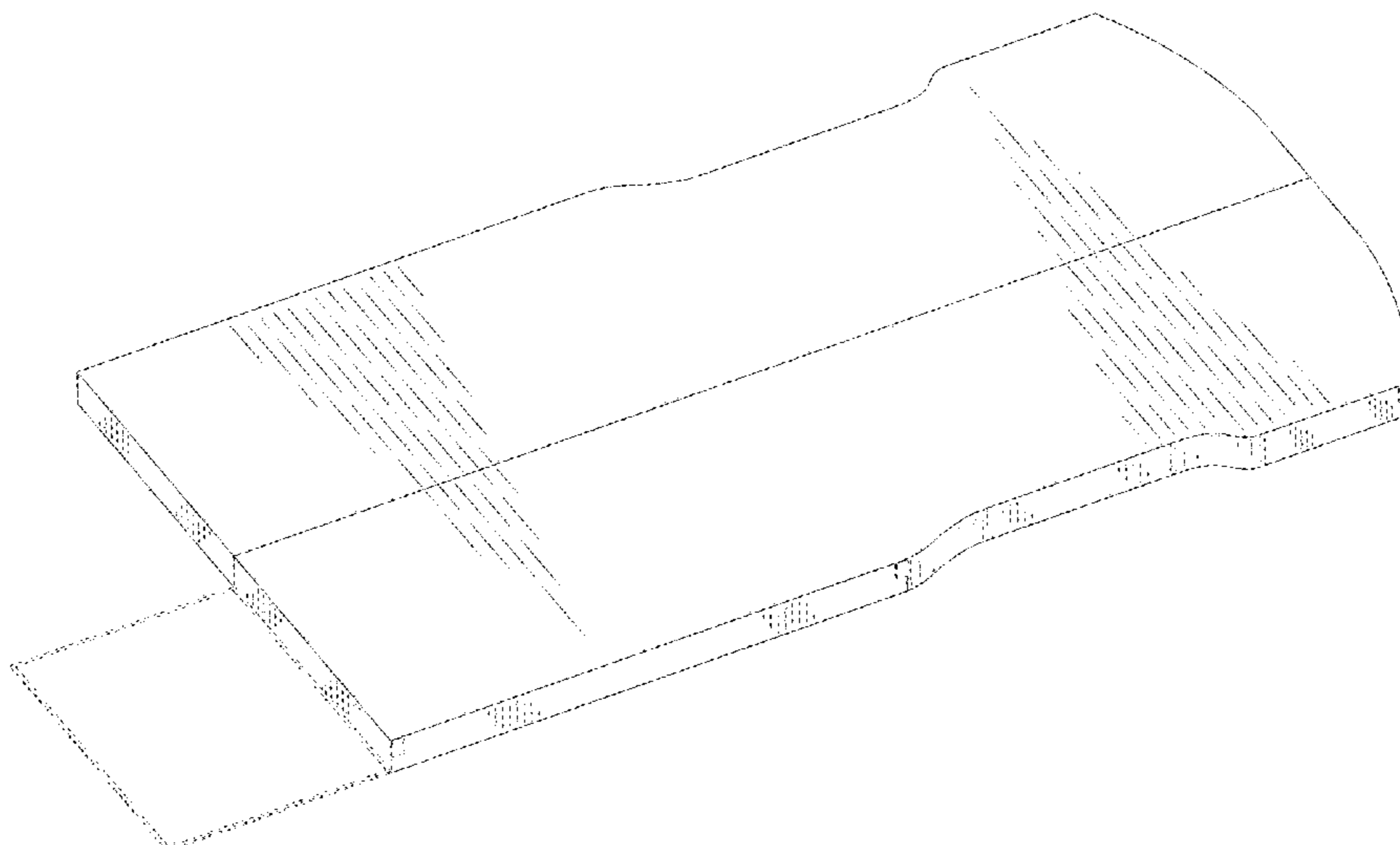
(57) **CLAIM**

The ornamental design for a car camping mat, as shown and described.

DESCRIPTION

FIG. 1 is a perspective view of a car camping mat showing our new design;
FIG. 2 is another perspective view thereof;
FIG. 3 is a front elevational view thereof;
FIG. 4 is a rear elevational view thereof;
FIG. 5 is a left side elevational view thereof;
FIG. 6 is a right side elevational view thereof;
FIG. 7 is a top plan view thereof;
FIG. 8 is a bottom plan view thereof;
FIG. 9 is a perspective view of the car camping mat where the car camping mat is in a folded state; and,
FIG. 10 is a perspective view of the car camping mat where the car camping mat is rolled up.
The broken lines in the drawings depict portions of the car camping mat that form no part of the claimed design.

1 Claim, 10 Drawing Sheets



(56)

References Cited

U.S. PATENT DOCUMENTS

D593,349 S * 6/2009 Pittman D6/605
 D642,845 S * 8/2011 Farley D6/596
 D653,485 S * 2/2012 Karp D6/596
 D701,712 S * 4/2014 Nielsen D6/605
 D740,904 S * 10/2015 Santaw D21/803
 D766,011 S * 9/2016 Logan D6/596
 D785,105 S * 4/2017 Armitage D21/686
 9,675,151 B1 * 6/2017 MacNeil A47G 27/0206
 D798,210 S 9/2017 Ying
 D807,665 S * 1/2018 Vega-Woller D6/596
 D811,125 S * 2/2018 Thornam D6/596
 D844,347 S * 4/2019 Bosstick D6/604
 D851,962 S * 6/2019 King D6/604
 D858,141 S * 9/2019 Simmons D6/596
 D922,287 S 6/2021 Frontczak
 D940,480 S * 1/2022 Dai D6/604
 D941,611 S * 1/2022 Zhang D6/604
 2004/0084923 A1 * 5/2004 Song B60R 13/011
 296/39.1
 2005/0044634 A1 * 3/2005 Wang A47C 27/084
 5/709
 2008/0078023 A1 * 4/2008 McClintock A47C 27/081
 5/118
 2016/0088951 A1 * 3/2016 McGuinness A47C 3/16
 5/35
 2016/0166077 A1 * 6/2016 Liu A47C 27/10
 5/710
 2017/0208958 A1 * 7/2017 Alletto, Jr. A47C 21/046

* cited by examiner

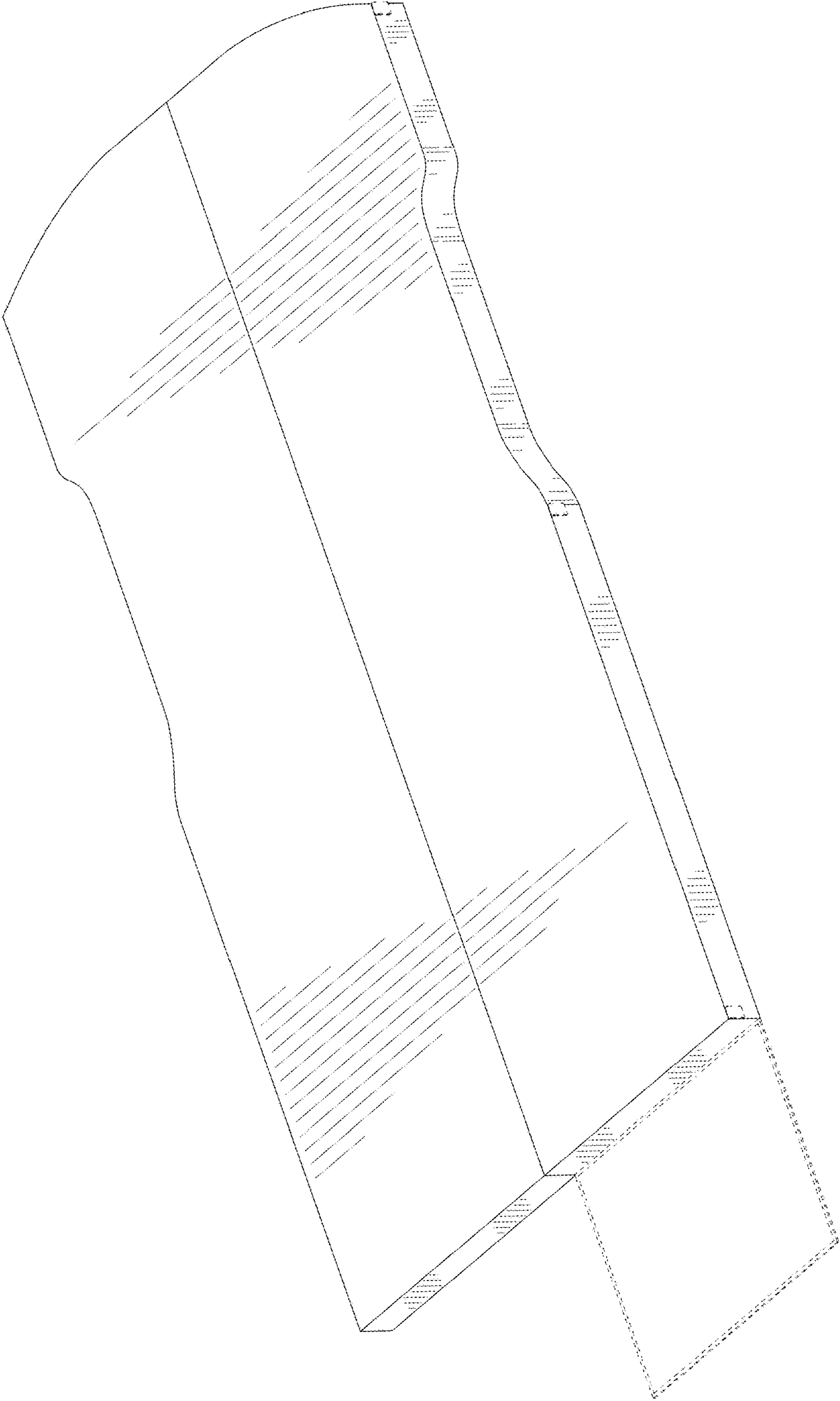


FIG. 1

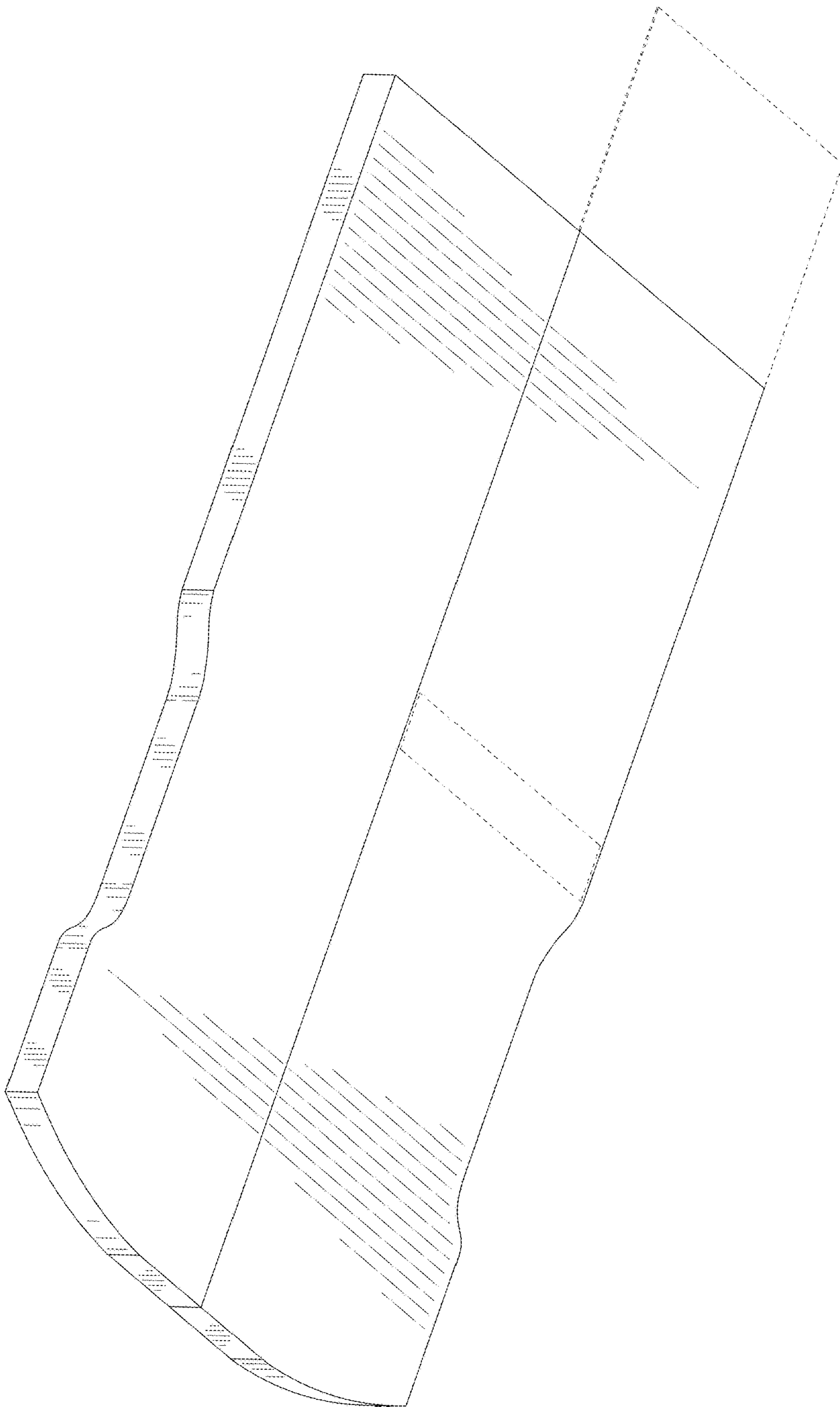


FIG. 2

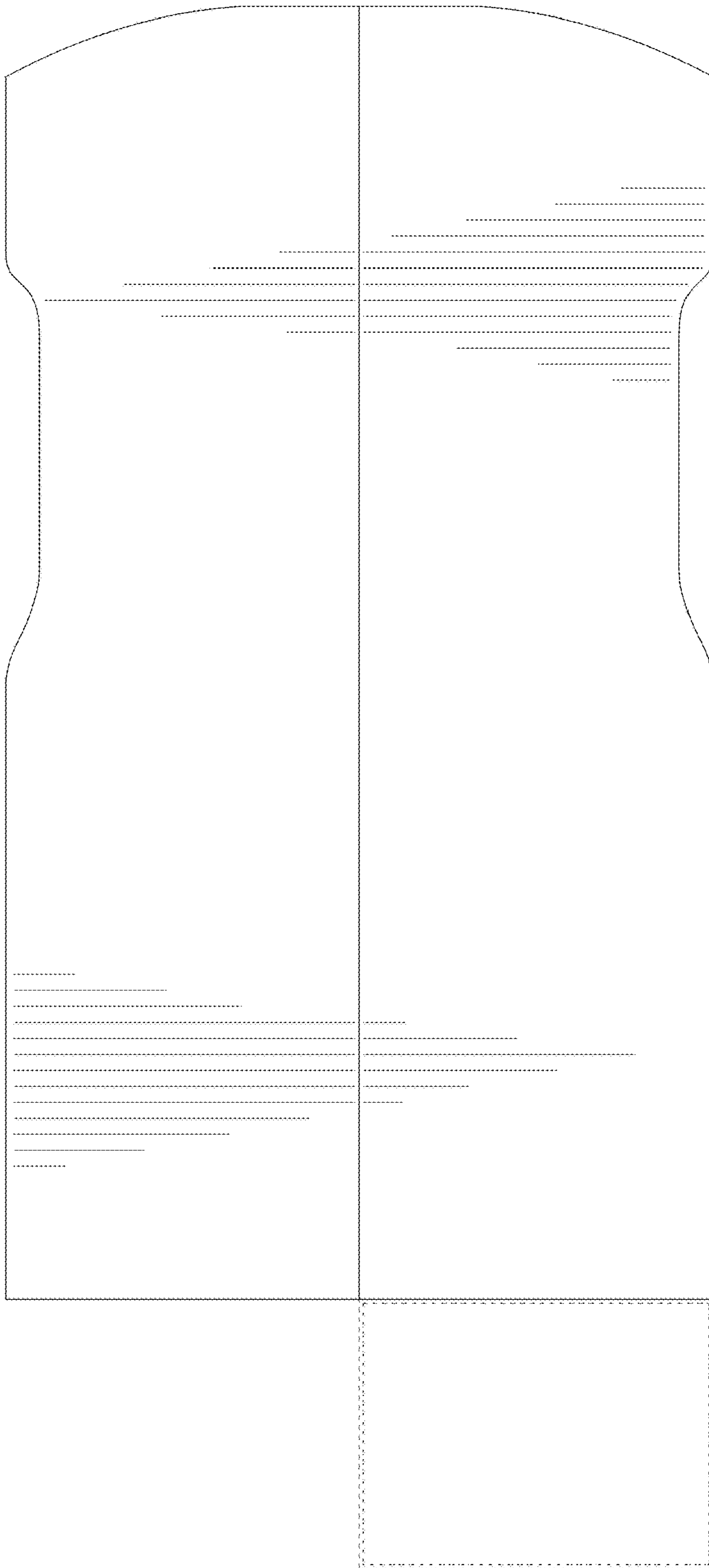


FIG. 3

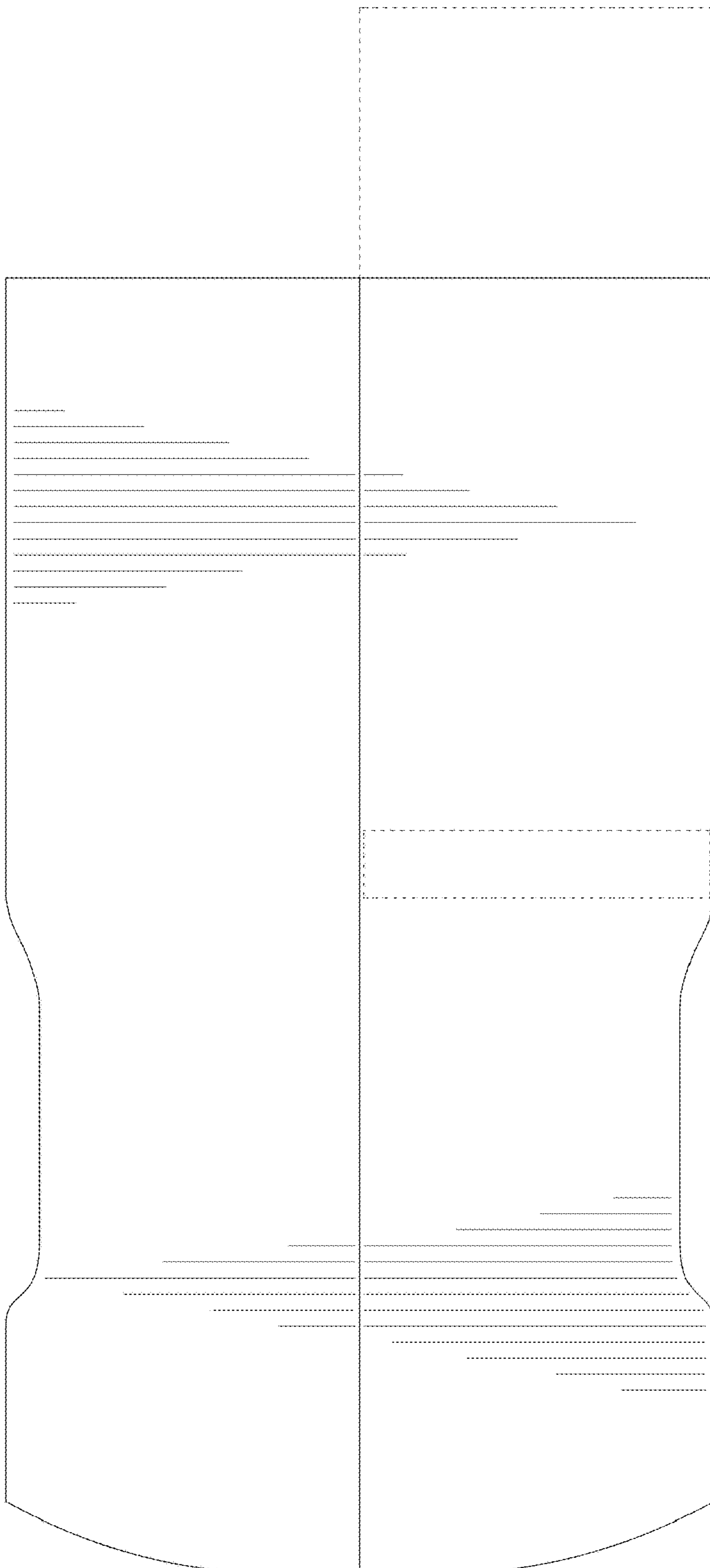


FIG. 4

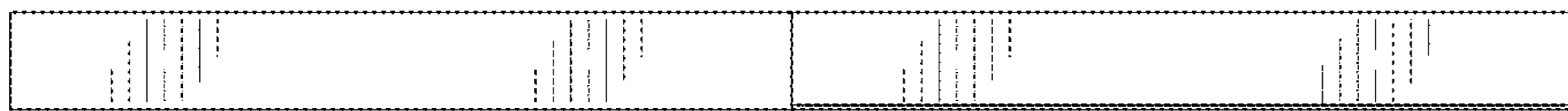


FIG. 5

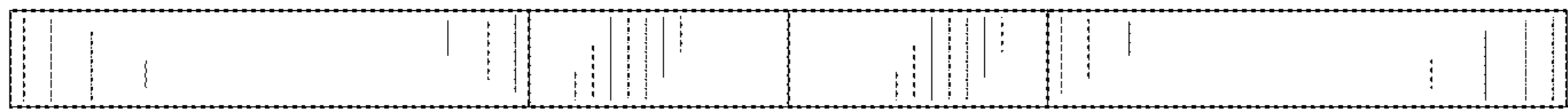


FIG. 6

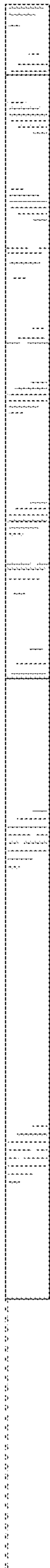


FIG. 7



FIG. 8

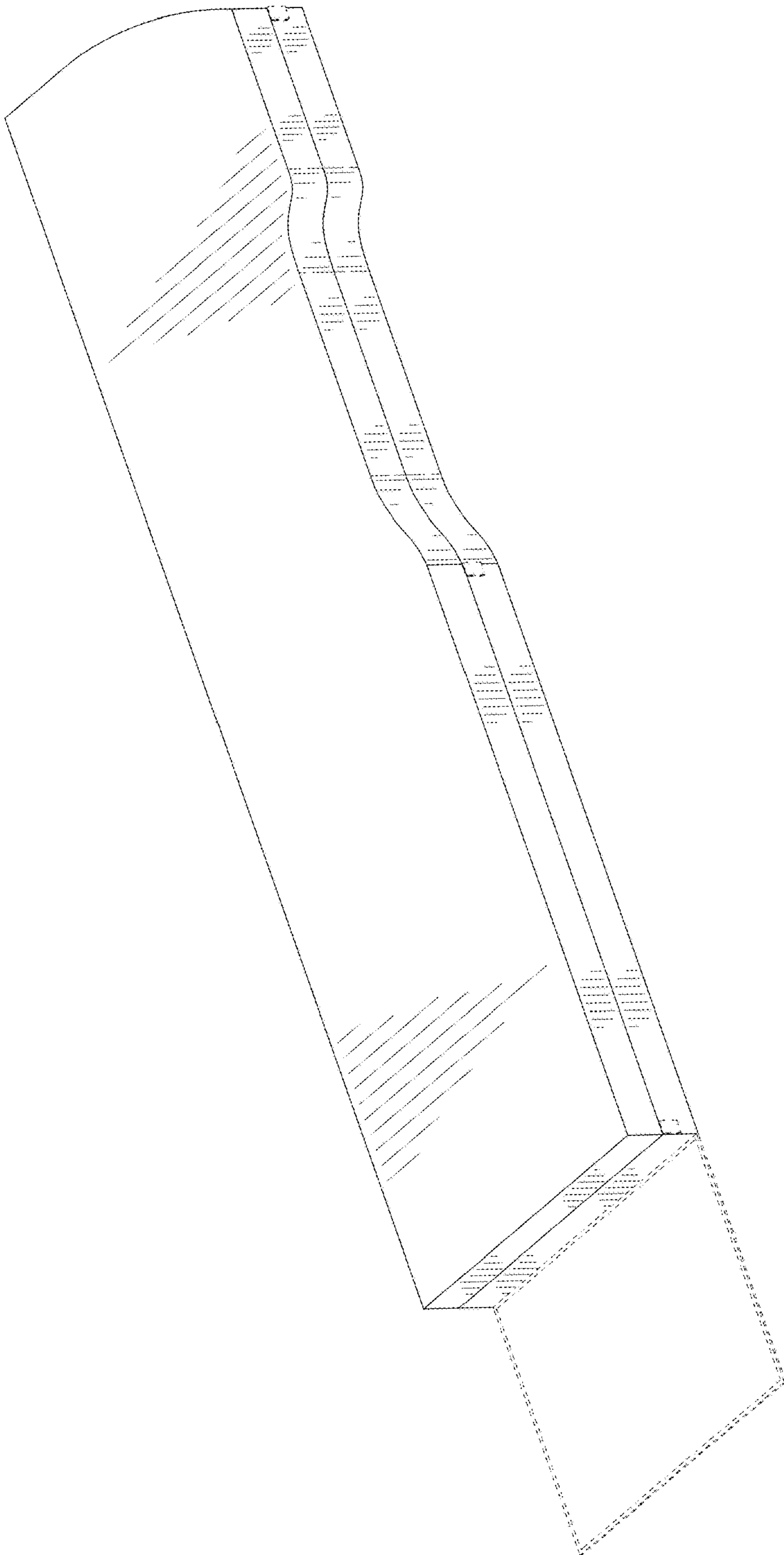


FIG. 9

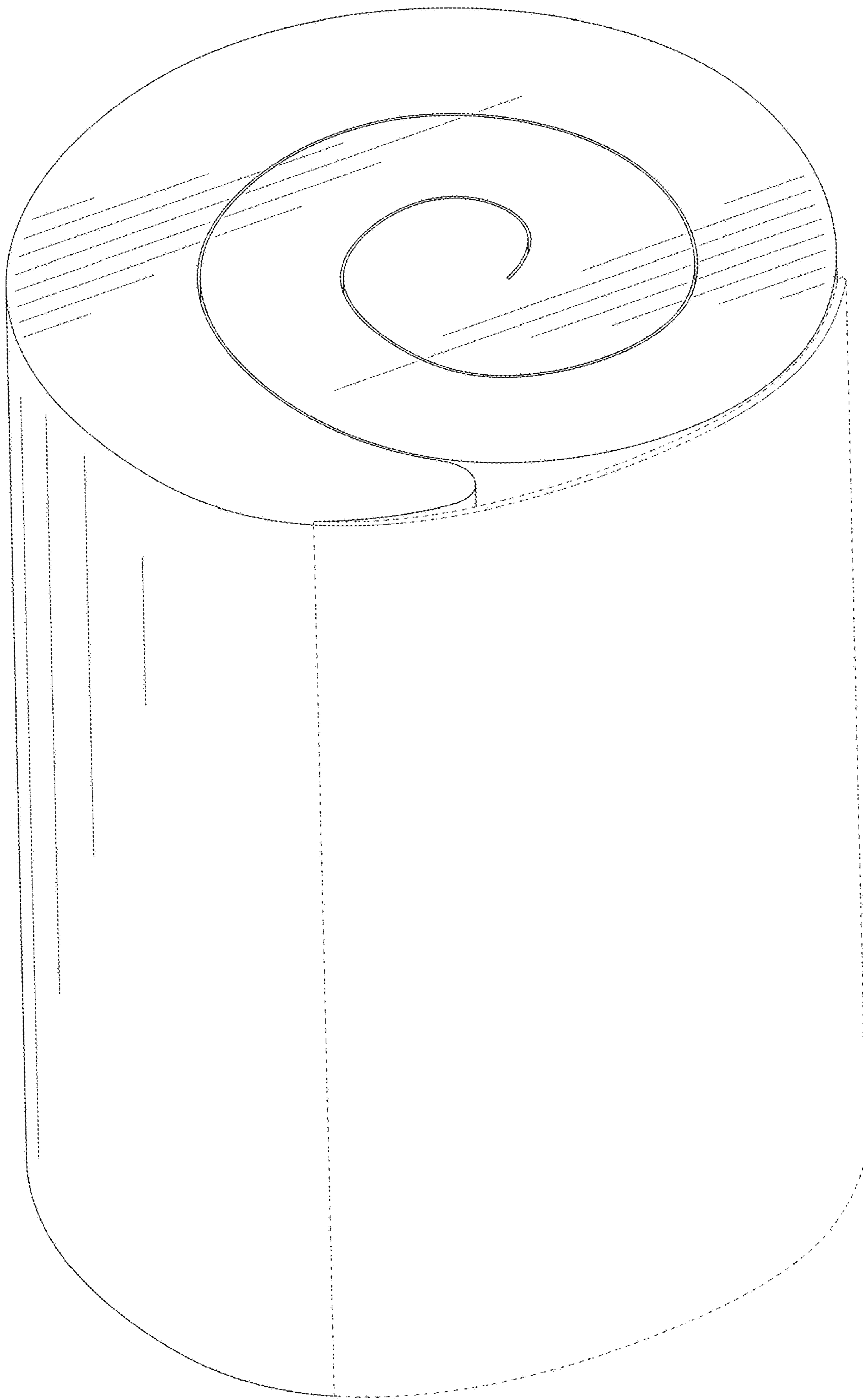


FIG. 10