



US00D968850S

(12) **United States Design Patent** (10) **Patent No.:** **US D968,850 S**
Yao (45) **Date of Patent:** **** Nov. 8, 2022**

(54) **SPLIT TOP FITTED SHEET MATTRESS PROTECTOR**

(71) Applicant: **J&M HEALTHTEK INTERNATIONAL INC.**, Majuro (MH)

(72) Inventor: **Lujian Yao**, Shanghai (CN)

(73) Assignee: **J&M HEALTHTEK INTERNATIONAL INC.**, Majuro (MH)

(**) Term: **15 Years**

(21) Appl. No.: **29/814,025**

(22) Filed: **Nov. 2, 2021**

(51) **LOC (13) Cl.** **06-13**

(52) **U.S. Cl.**
USPC **D6/602**

(58) **Field of Classification Search**
USPC D6/382, 595, 596, 601–603, 605–607;
D34/38
CPC A47C 23/00; A47C 23/06; A47C 23/062;
A47C 23/66; A47C 23/067; A47C
23/068; A47C 19/02
See application file for complete search history.

(56) **References Cited**

U.S. PATENT DOCUMENTS

- 1,559,119 A * 10/1925 Miller A47C 21/026
5/411
- 2,654,898 A * 10/1953 Merle A61G 7/02
5/695
- 2,923,014 A * 2/1960 Hume A47C 21/022
297/228.11
- 5,072,470 A * 12/1991 Lysiak A47C 21/022
5/498

(Continued)

FOREIGN PATENT DOCUMENTS

- CN 307446216 * 7/2022
- KR 301063954.0000 * 6/2020

OTHER PUBLICATIONS

32-34" Split from Top King Mattress Protector, product availability Jun. 2, 2021 [online], picture review Mar. 14, 2022 [online], [site visited Jul. 25, 2022]:URL:<https://www.amazon.com/gp/product/B096DK3MCF/ref=sw_img_1?smid=A1R5OKAYAM8IIT&psc=1> (Year: 2021).*

(Continued)

Primary Examiner — Bao-Yen T Nguyen

Assistant Examiner — Loryn K. LeBlanc

(74) *Attorney, Agent, or Firm* — Bayramoglu Law Offices LLC

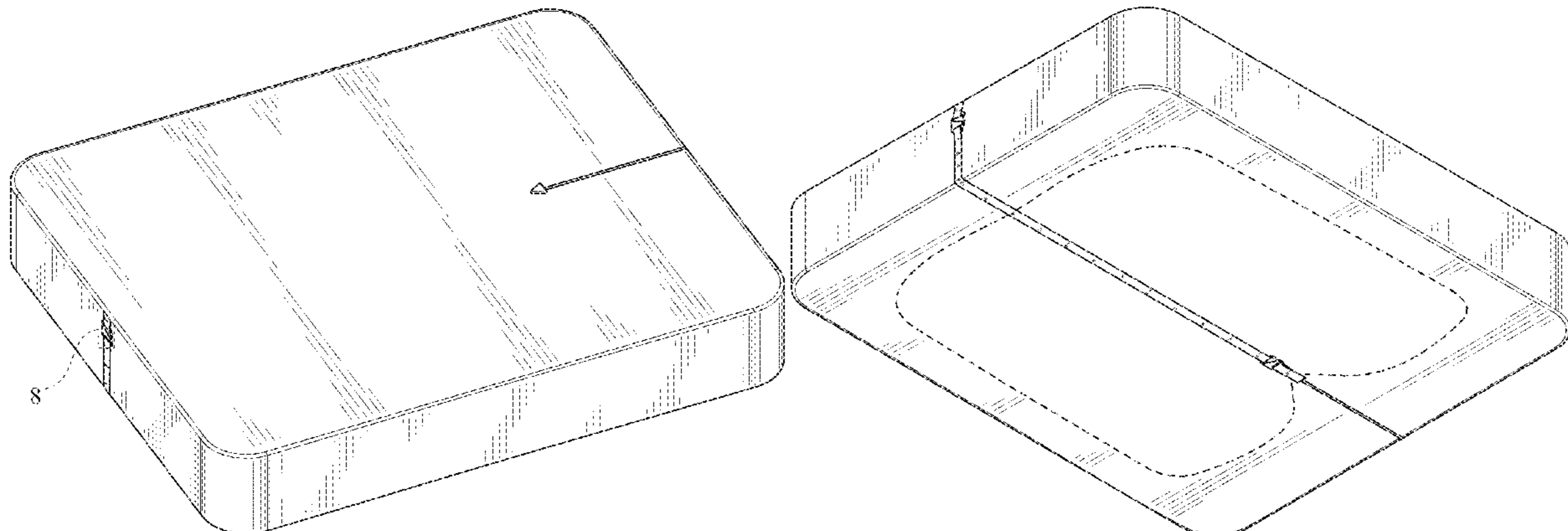
(57) **CLAIM**

The ornamental design for a split top fitted sheet mattress protector, as shown and described.

DESCRIPTION

FIG. 1 is a top perspective view of a split top fitted sheet mattress protector showing my new design;
 FIG. 2 is a top view thereof;
 FIG. 3 is a bottom view thereof;
 FIG. 4 is a left side view thereof, a right side view being a mirror image of the left side view;
 FIG. 5 is a front view thereof;
 FIG. 6 is a rear view thereof; and,
 FIG. 7 is a bottom perspective view thereof;
 FIG. 8 is a partially enlarged view showing the area “8” in FIG. 1; and,
 FIG. 9 is a partially enlarged view showing the area “9” in FIG. 5.
 In FIGS. 1, 5, 8 and 9, the broken lines indicating an enlargement portion of the design form no part of the claimed design. In FIGS. 3 and 7, the broken lines indicating portions of the design form no part of the claimed design.

1 Claim, 8 Drawing Sheets



(56)

References Cited

U.S. PATENT DOCUMENTS

D436,489 S * 1/2001 Farrugia D6/607
D481,579 S * 11/2003 Colbert D6/607
D681,996 S 5/2013 Jimenez-Hernandez
D684,797 S * 6/2013 Rohwer D6/603
D691,399 S 10/2013 Jalan
D781,078 S 3/2017 Goenka
D898,449 S 10/2020 Moule
D907,401 S 1/2021 Joy
2006/0213010 A1* 9/2006 Davis A61G 7/0504
5/81.1 R
2013/0154217 A1* 6/2013 Dobyms B62B 5/0083
280/79.11
2022/0202197 A1* 6/2022 Wang A47C 27/081

OTHER PUBLICATIONS

LuxAPP Mattress Bag for Moving and Storage, product availability
May 2, 2022 [online], no video/picture review [online], [site visited
Jul. 25, 2022]:URL:<https://www.amazon.com/gp/product/B09XB27V6S/ref=sw_img_1?smid=A2SFK4O5V34ENT&psc=1> (Year: 2022).*

V-Berth Options, product availability unknown [online], no video/
picture review [online], [site visited Jul. 25, 2022]:URL:<<https://www.boatbeds.com/mattresses/v-berth/>> (Year: 2022).*

* cited by examiner

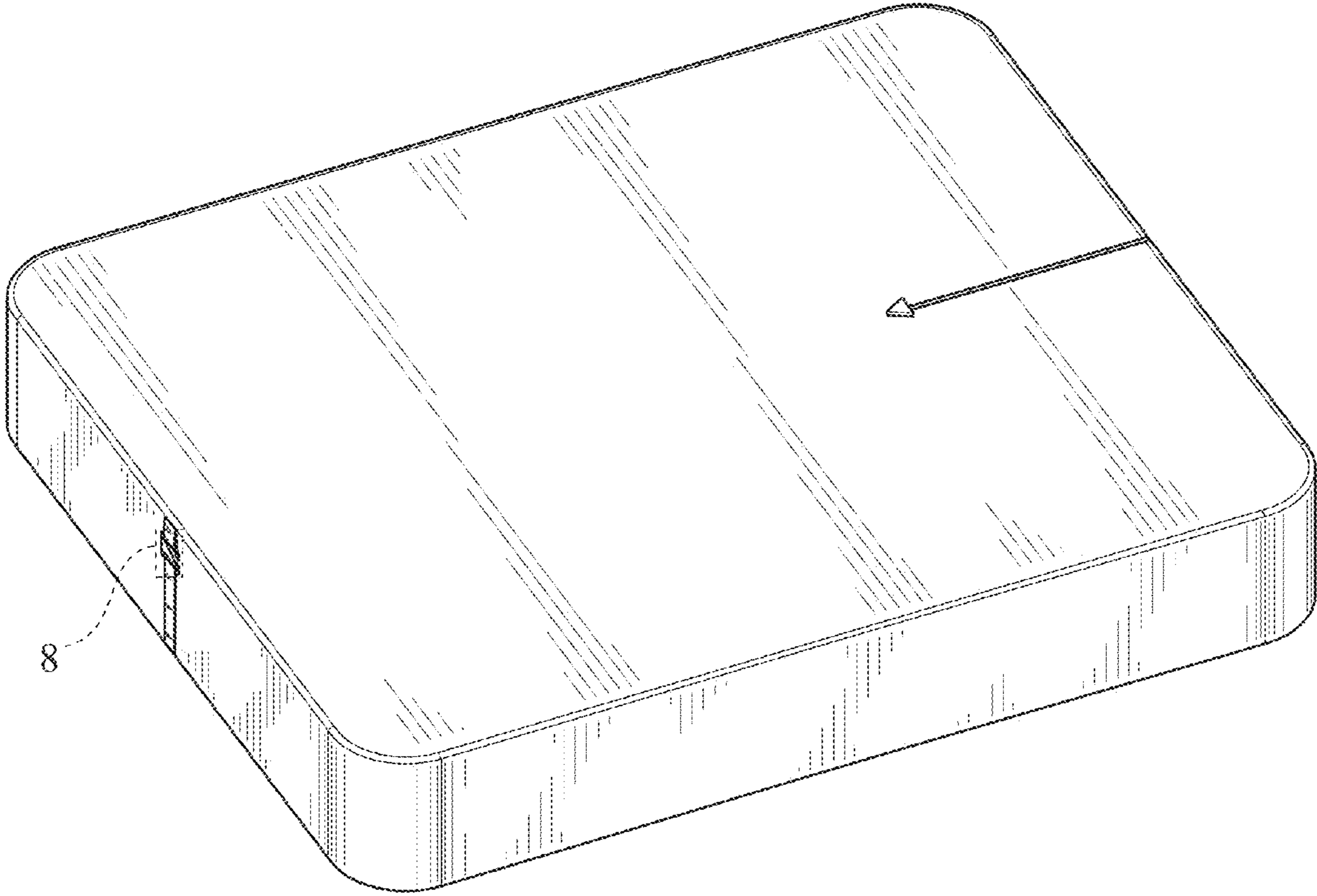


Fig. 1

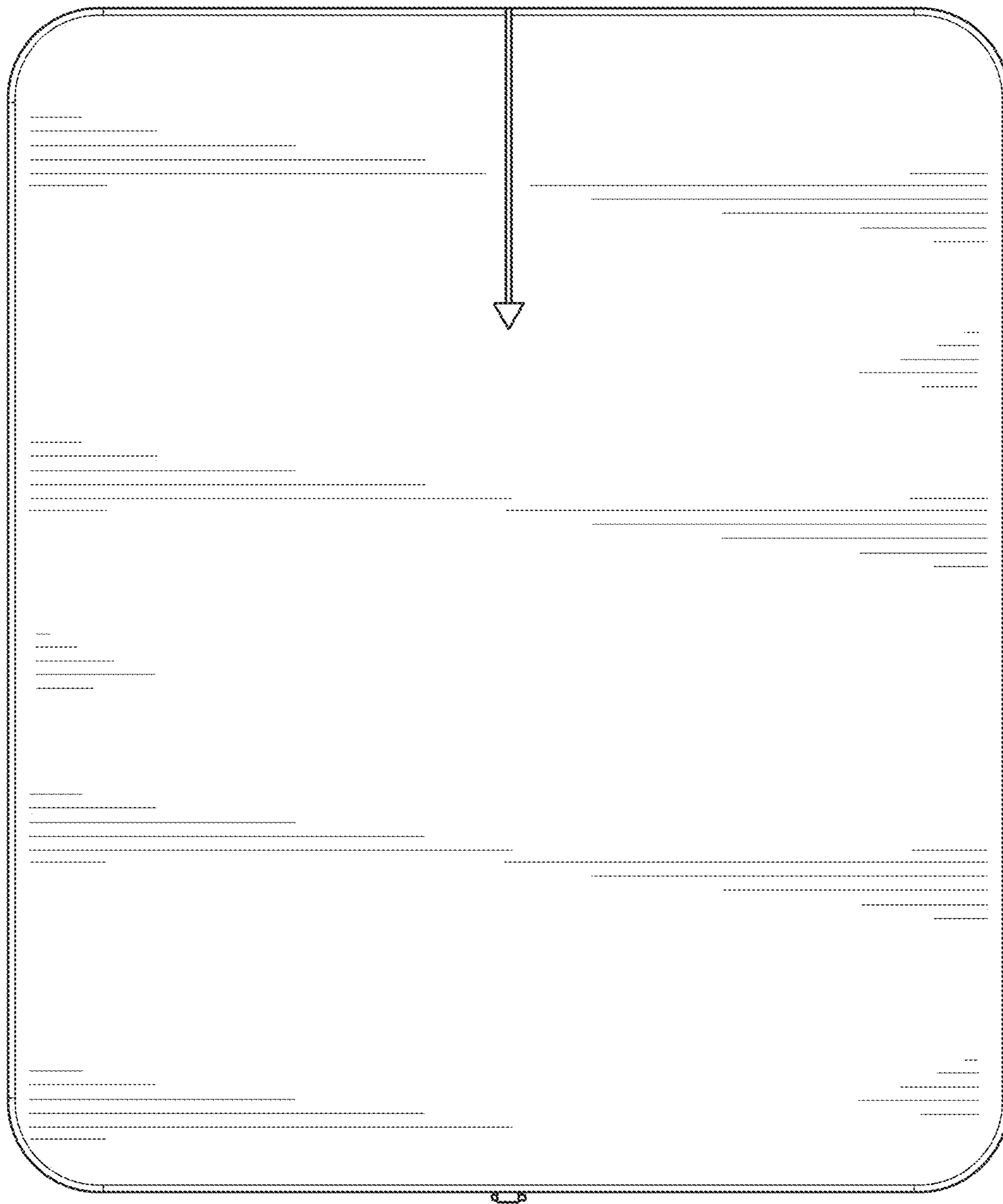


Fig. 2

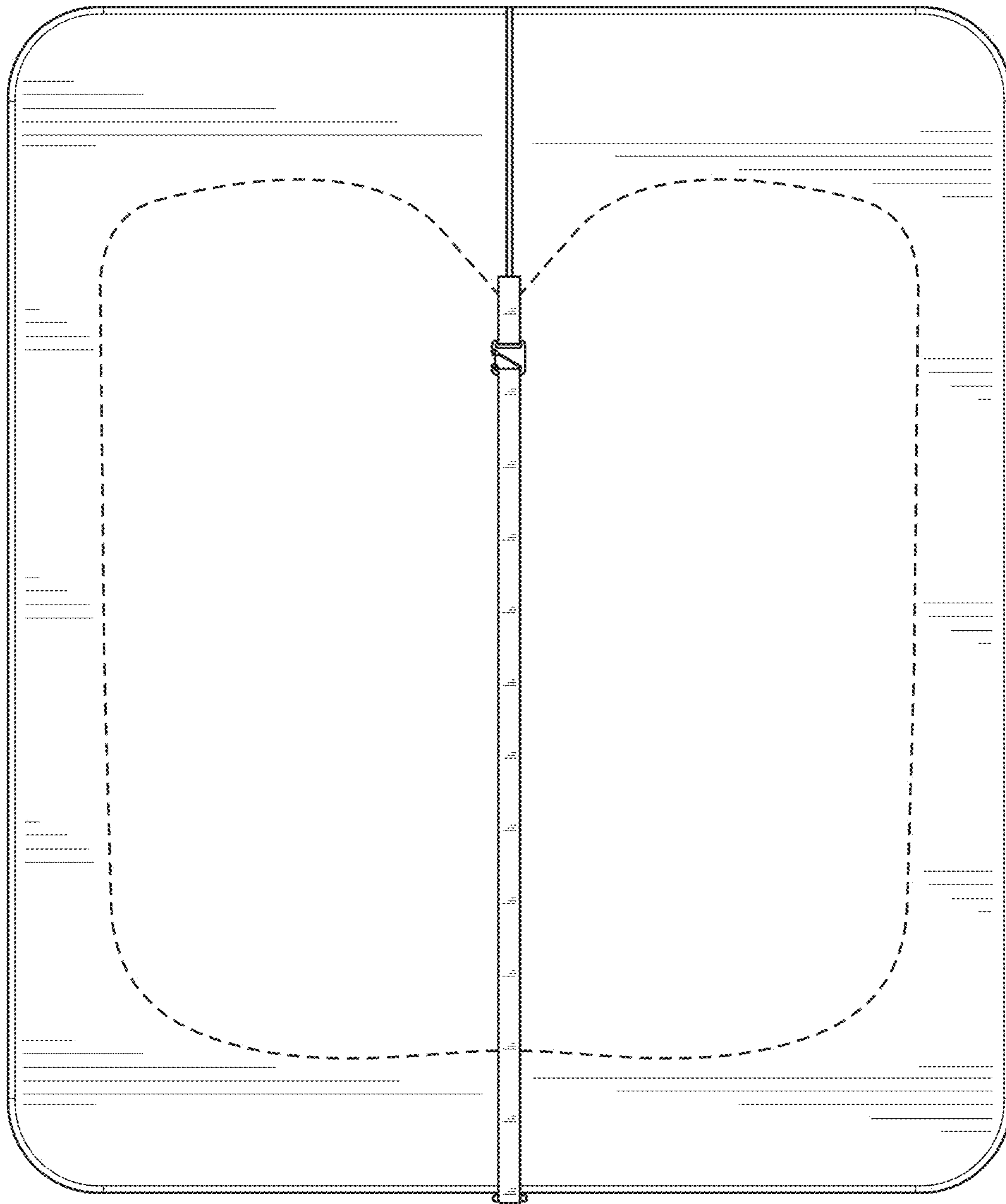


Fig. 3

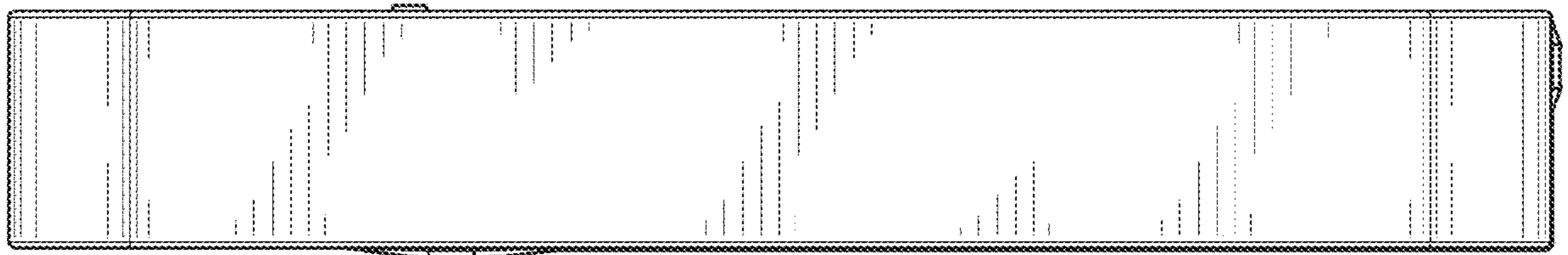


Fig. 4

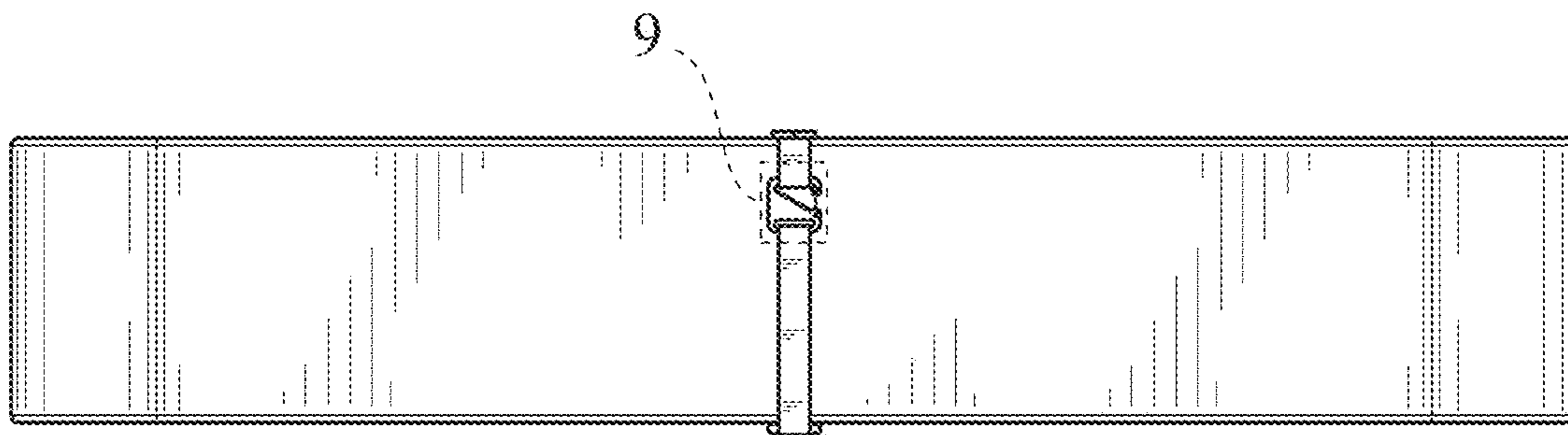


Fig. 5

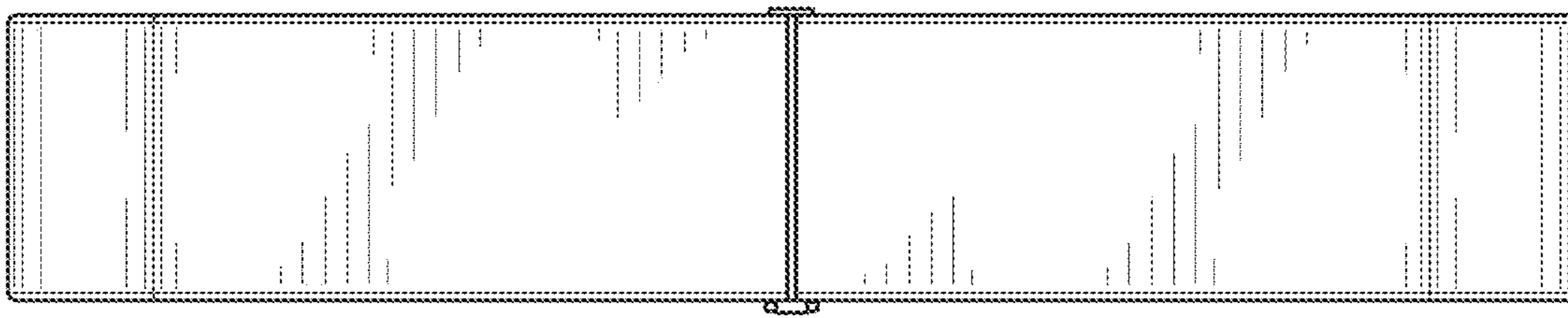


Fig. 6

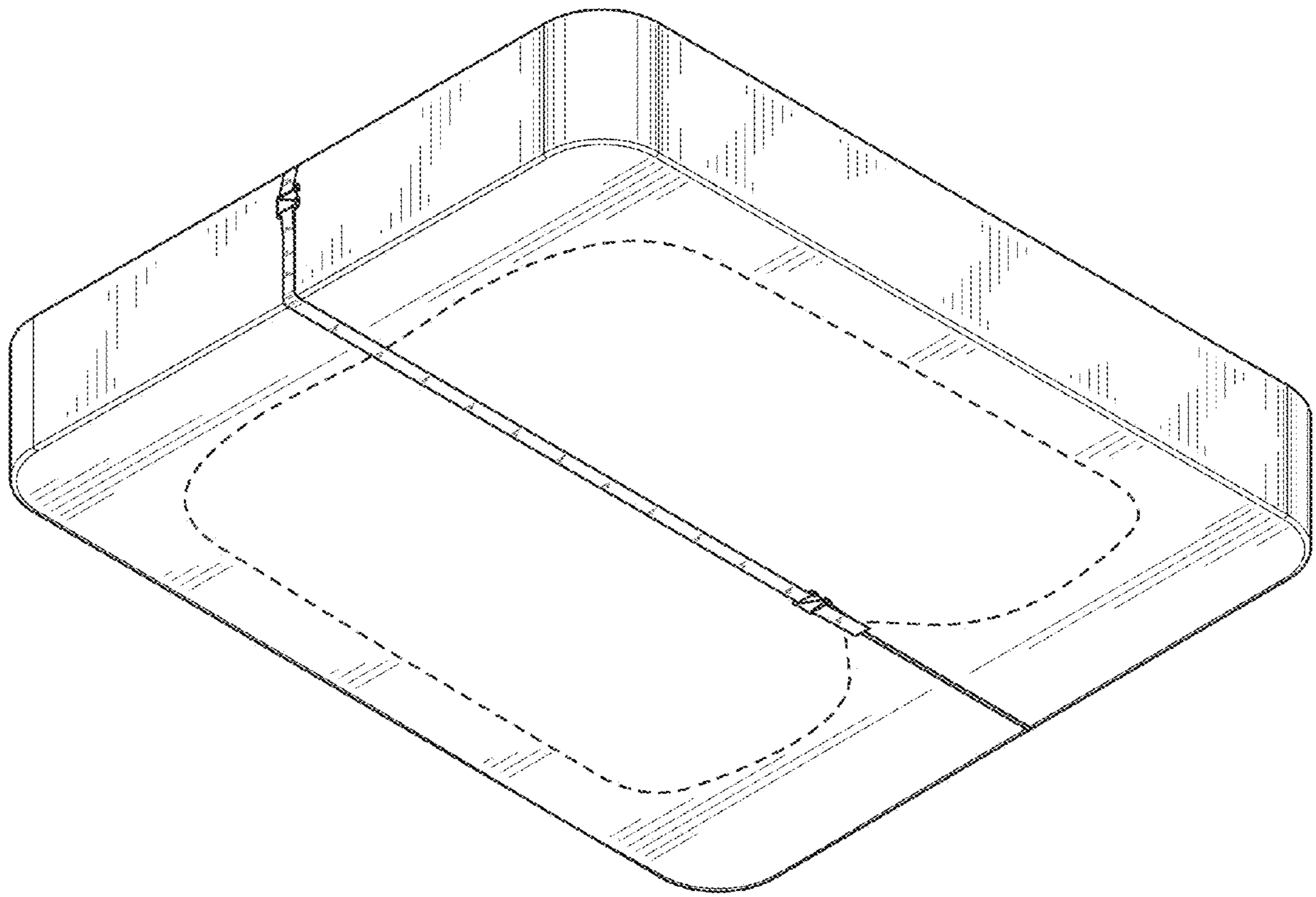


Fig. 7

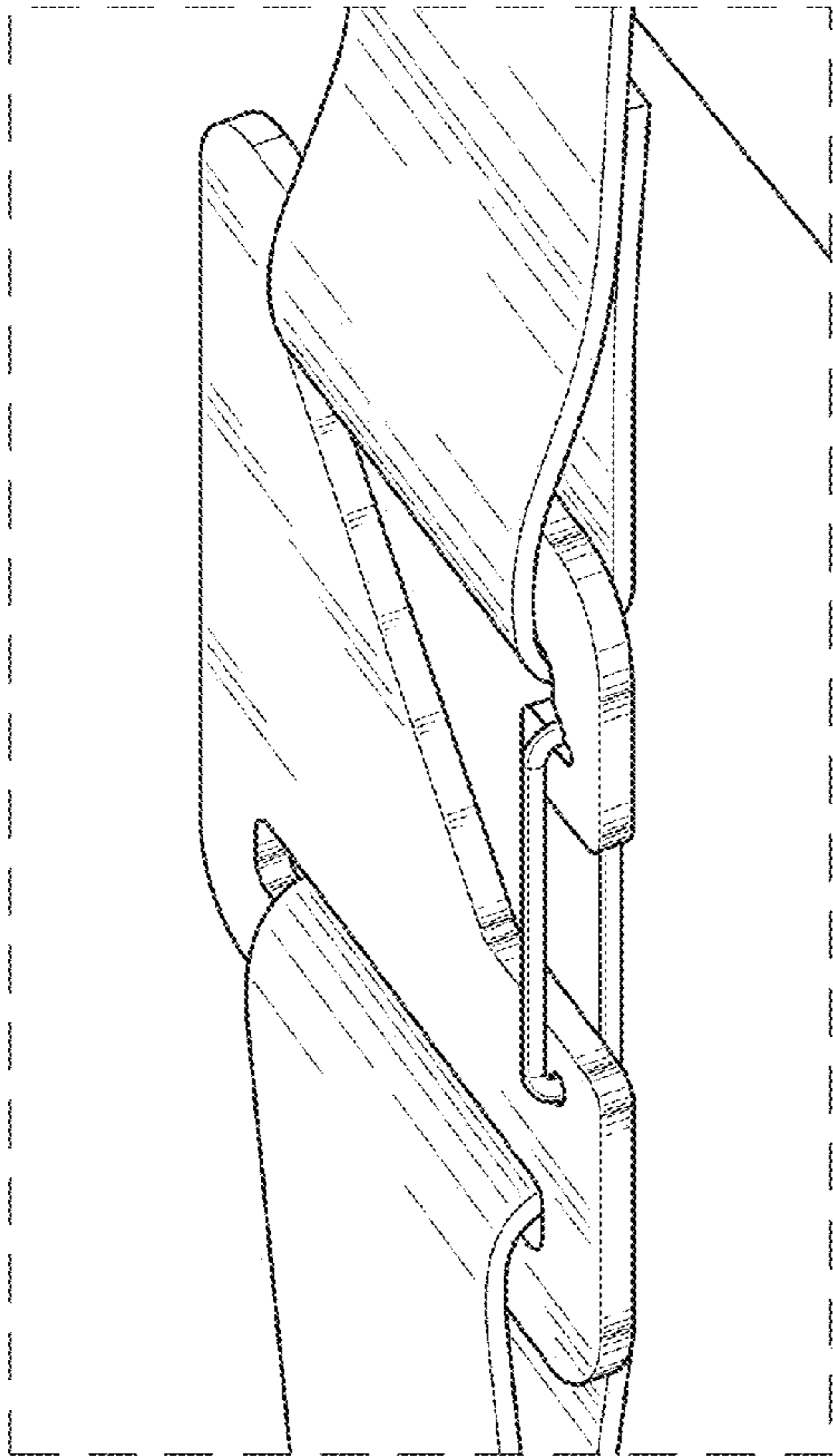


Fig. 8

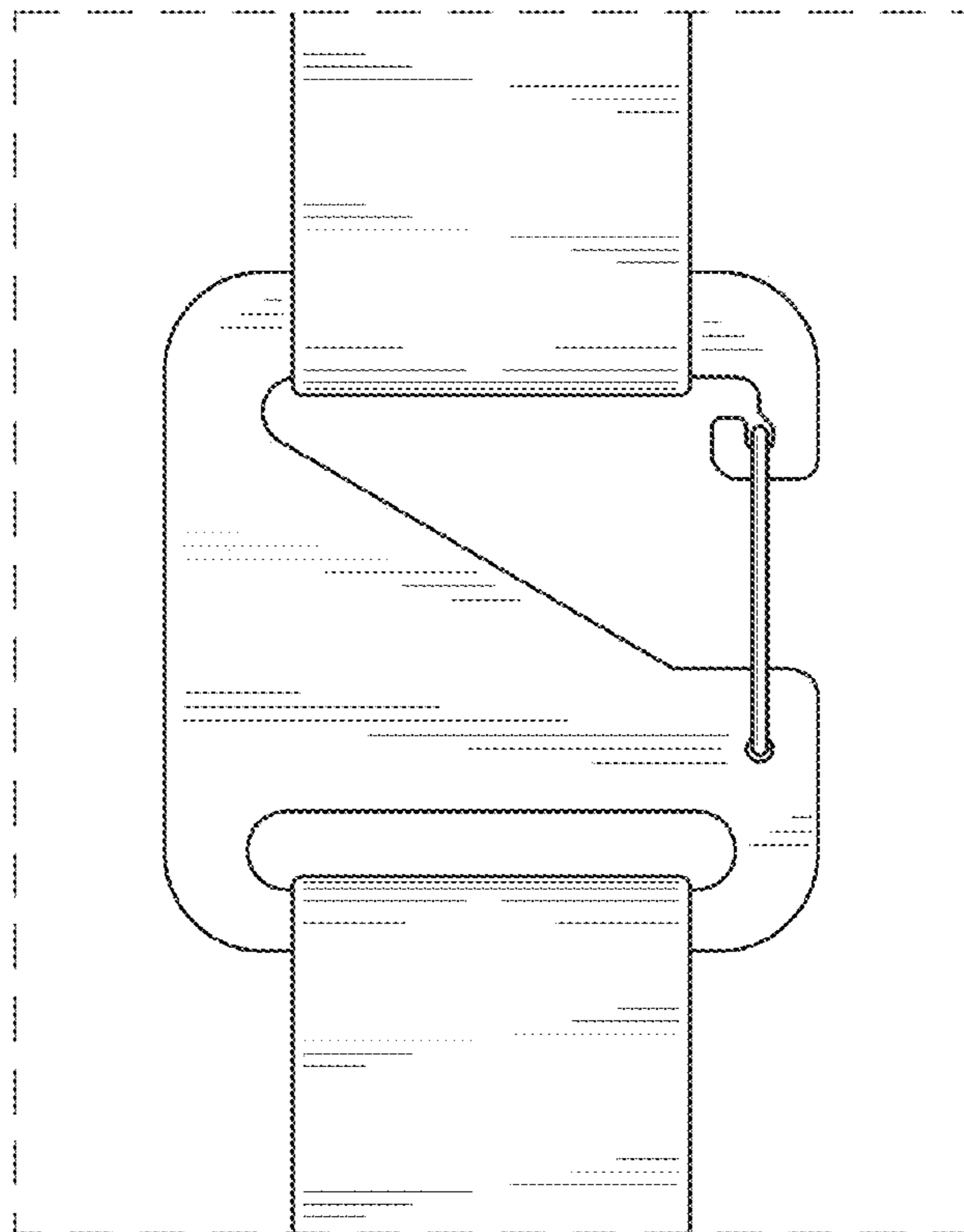


Fig. 9