



US00D968847S

(12) **United States Design Patent**
Sun

(10) **Patent No.:** **US D968,847 S**

(45) **Date of Patent:** **** Nov. 8, 2022**

(54) **BATH MAT**

(71) Applicant: **Shaoxing FaLanMiKe Electronic Commerce Co., Ltd., Zhejiang (CN)**

(72) Inventor: **Huimin Sun, Zhejiang (CN)**

(73) Assignee: **Shaoxing FaLanMiKe Electronic Commerce Co., Ltd., zhejiang (CN)**

(**) Term: **15 Years**

(21) Appl. No.: **29/773,454**

(22) Filed: **Mar. 9, 2021**

(51) **LOC (13) Cl.** **06-11**

(52) **U.S. Cl.**
USPC **D6/583**

(58) **Field of Classification Search**
USPC D6/582-584, 586-588, 592; D21/792
CPC A47G 27/0206; A47G 27/0212; A47G 27/0218; A47G 27/0225; A47G 27/0237; A47G 27/025; A47G 27/0281; A47G 27/0468; A47G 9/062; A62B 6/00; A62B 21/4037; A47K 3/002; A47K 3/003; A47L 19/00; A47L 19/02
See application file for complete search history.

(56) **References Cited**

U.S. PATENT DOCUMENTS

D152 S *	9/1847	Wright	D5/60
D4,519 S *	12/1870	Weeden	D5/60
D12,818 S *	3/1882	Dobbin	B32B 7/08
				D5/60
D17,424 S *	6/1887	Kneedler	D5/60
D23,797 S *	11/1894	Marks	B32B 7/08
				D5/60
D30,929 S *	5/1899	Howarth	D5/60
D43,600 S *	2/1913	Foster	D5/60
D127,049 S *	5/1941	Eichler	D5/60
2,274,468 A *	2/1942	Bell	A47G 27/0212
				112/440

D400,040 S * 10/1998 Pawson A47G 27/0212
D6/582

D401,099 S * 11/1998 Pawson A47G 27/0212
D6/582

D401,100 S * 11/1998 Stull A47G 27/0212
D6/583

(Continued)

OTHER PUBLICATIONS

Grandaily Chenille Striped Bathroom Rug Mat. sold on amazon.com. Sep. 19, 2020. Accessed on Jun. 17, 2022. <<https://www.amazon.com/Grandaily-Chenille-Bathroom-Non-Slip-Absorbent/dp/B08JHLBGTB>>. (Year: 2022).*

Primary Examiner — Kevin K Rudzinski

Assistant Examiner — Clare Ann Gannon

(74) *Attorney, Agent, or Firm* — ScienBiziP, P.C.

(57) **CLAIM**

The ornamental design for a bath mat, as shown and described.

DESCRIPTION

FIG. 1 is a front, left, and top perspective view of a bath mat, showing my design.

FIG. 2 is a rear, right, and bottom perspective view thereof.

FIG. 3 is a front elevation view thereof.

FIG. 4 is a rear elevation view thereof.

FIG. 5 is a top plan view thereof.

FIG. 6 is a bottom plan view thereof.

FIG. 7 is a left side elevation view thereof.

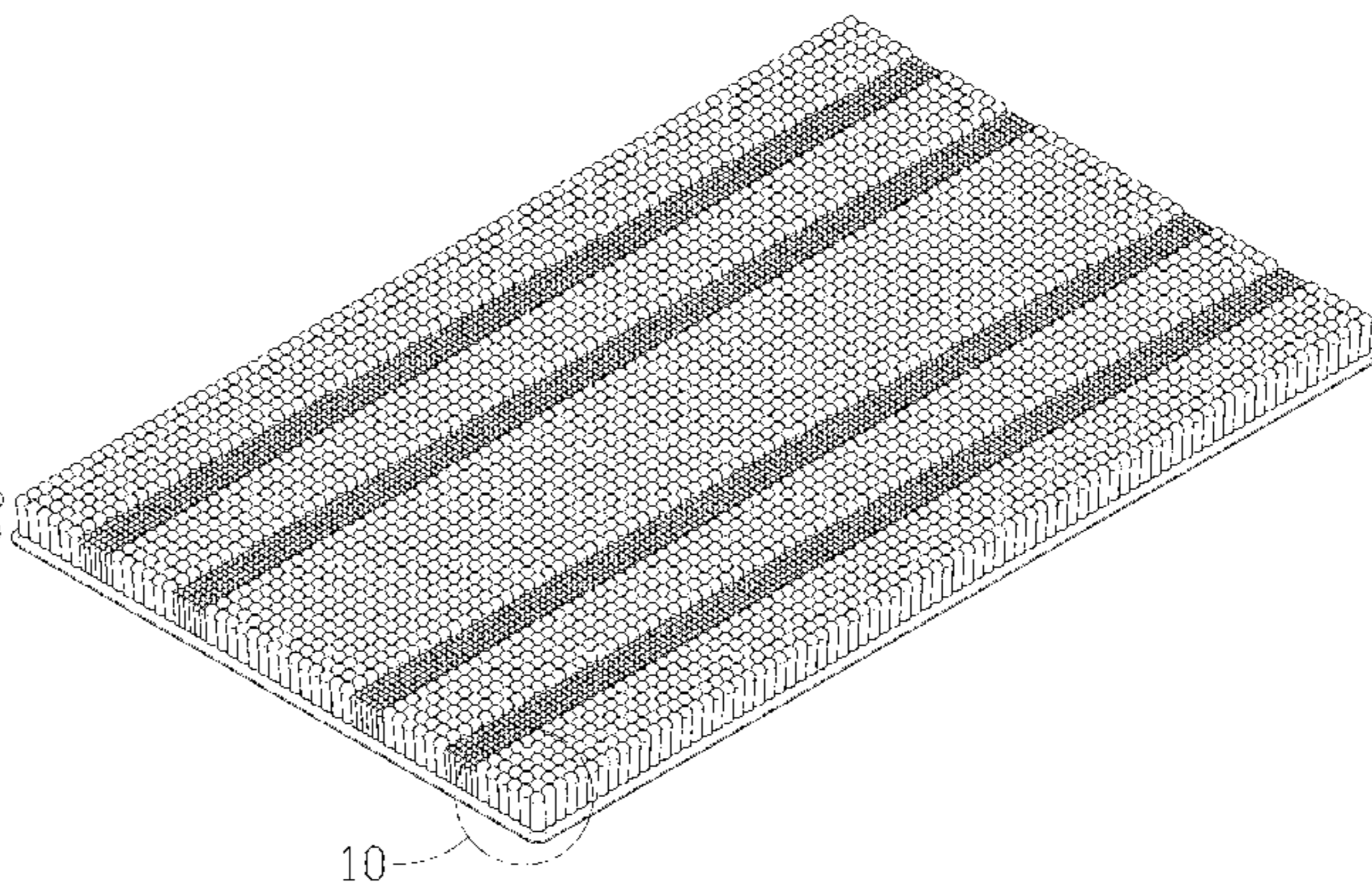
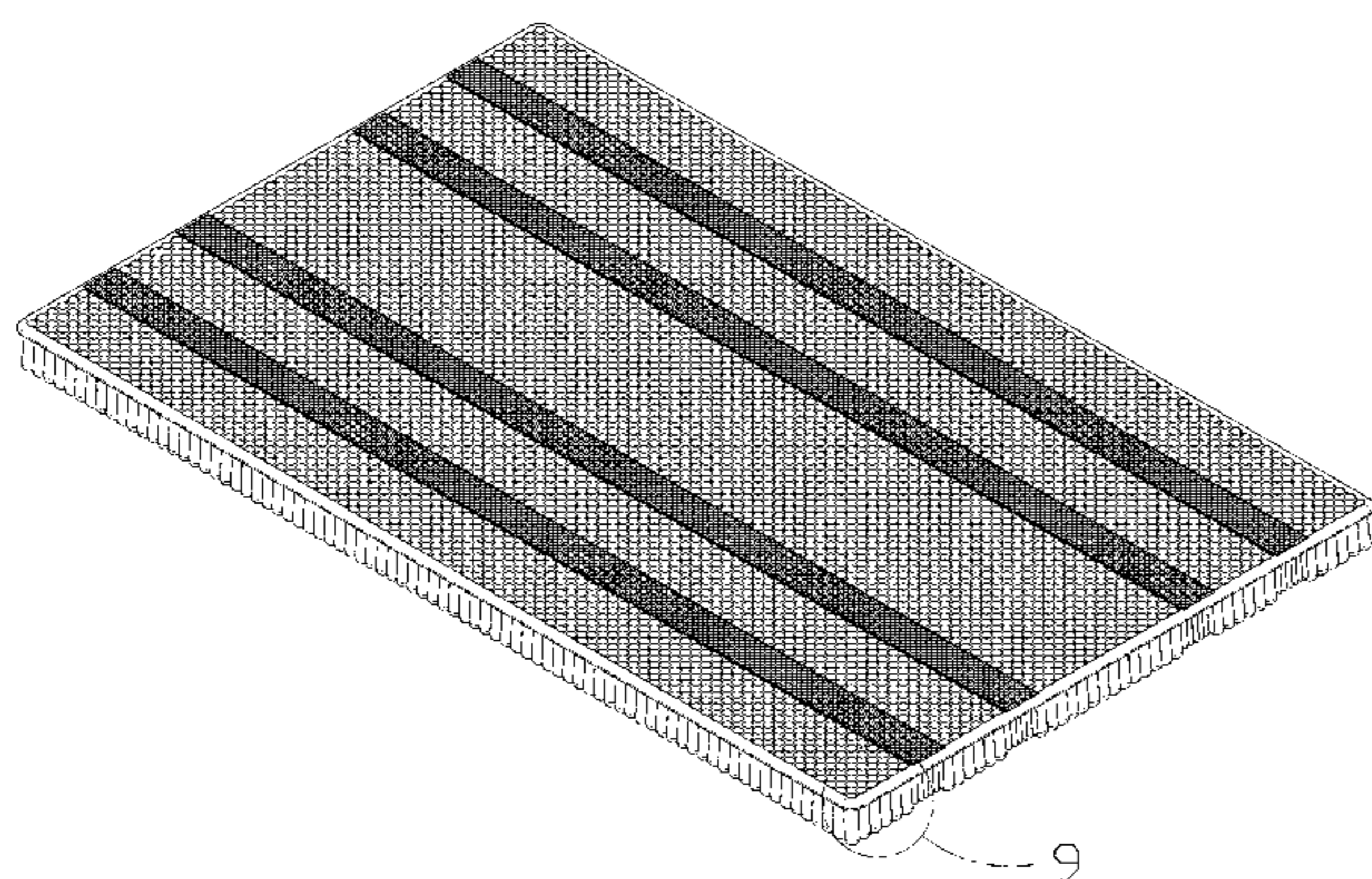
FIG. 8 is a right side elevation view thereof.

FIG. 9 is a partial enlarged view of an area labeled 9 in FIG. 1 comprising an anti skid; and,

FIG. 10 is a partial enlarged view of an area labeled 10 in FIG. 2 comprising an absorbent sponge.

The dot-dash lines indicating enlarged partial views form no part of the claimed design.

1 Claim, 10 Drawing Sheets



(56)

References Cited

U.S. PATENT DOCUMENTS

D479,424 S * 9/2003 Sellman, Jr. A47G 27/0212
D6/582
D782,750 S * 3/2017 Denney A47G 27/0212
D30/158

* cited by examiner

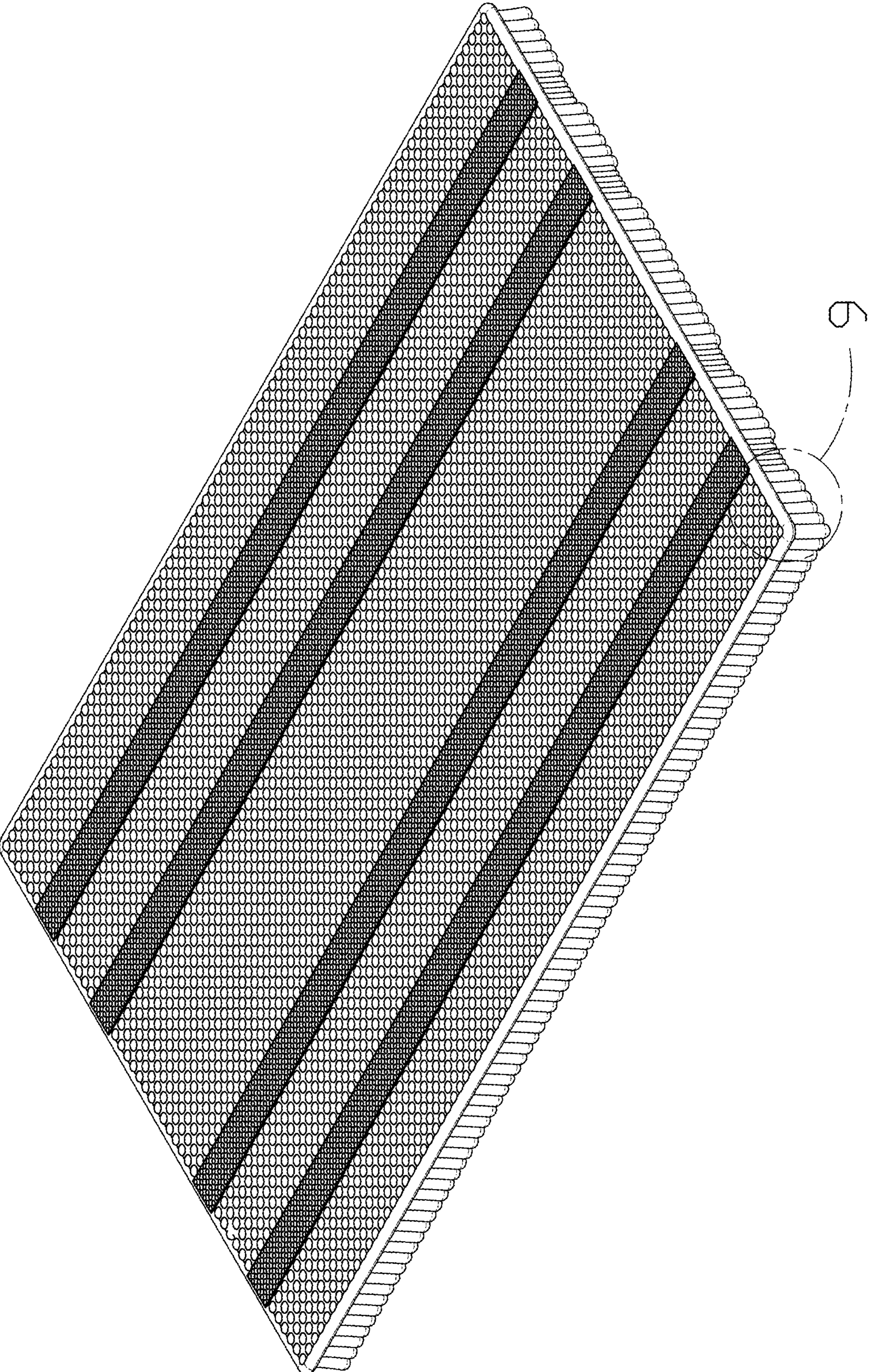


FIG. 1

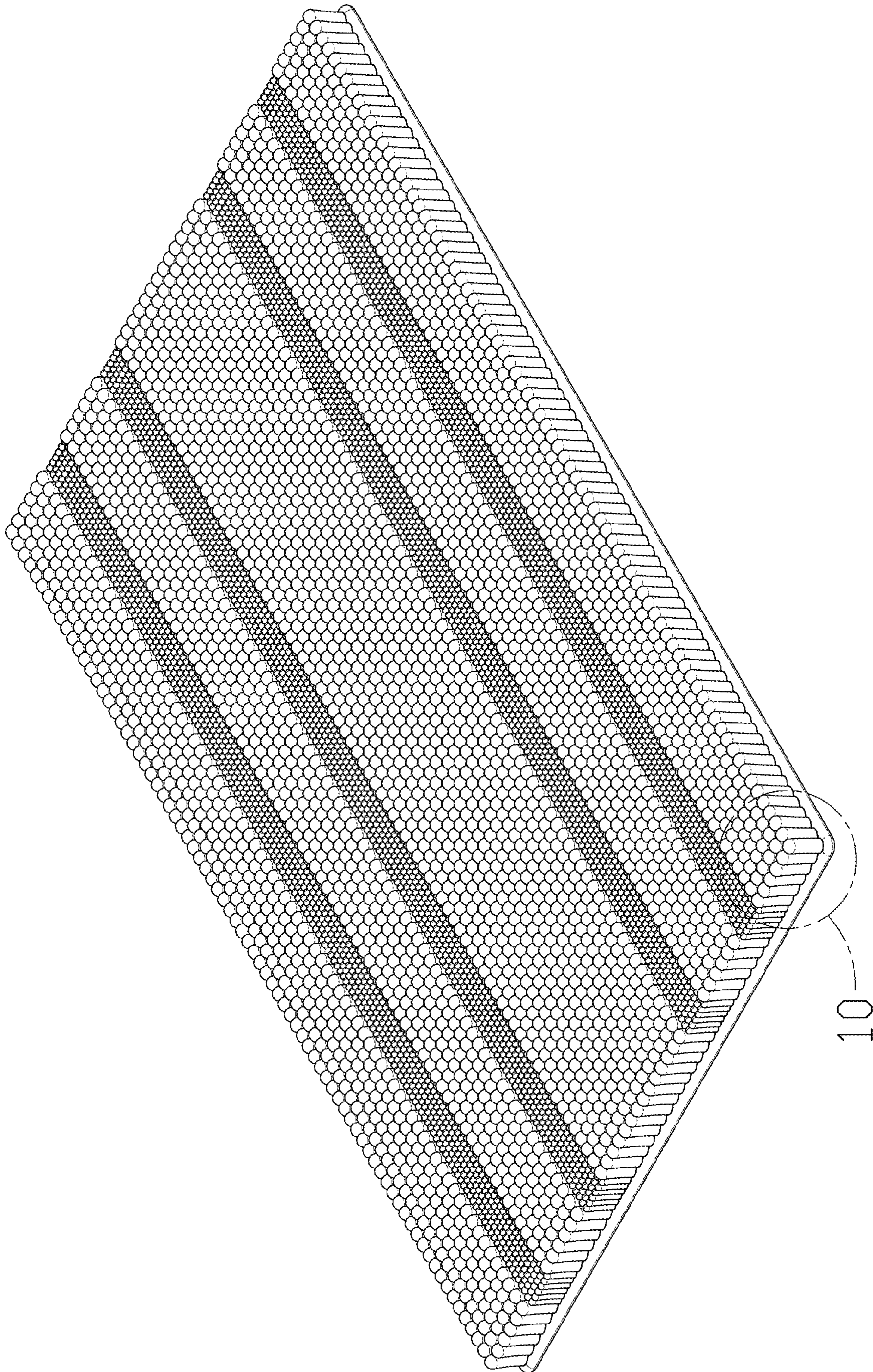


FIG. 2

10

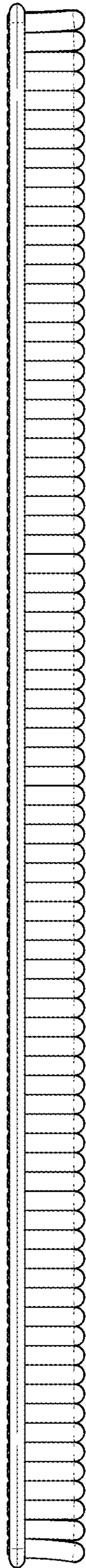


FIG. 3

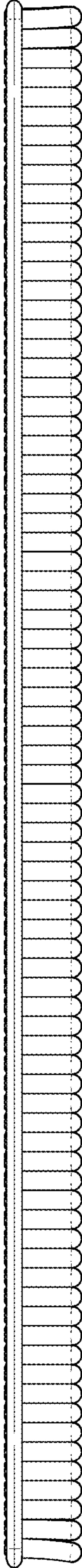


FIG. 4

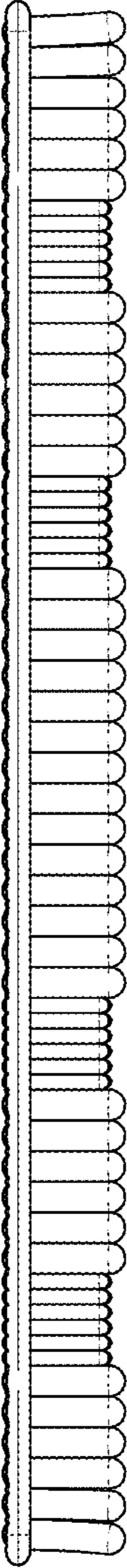


FIG. 5

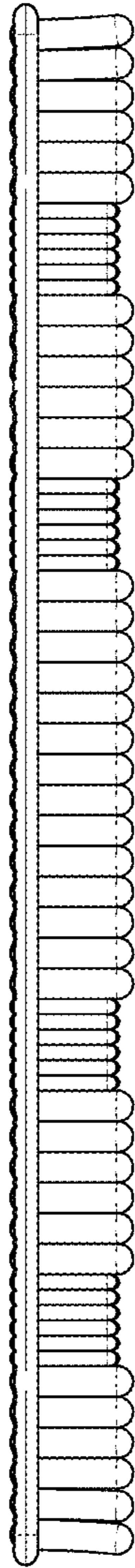


FIG. 6

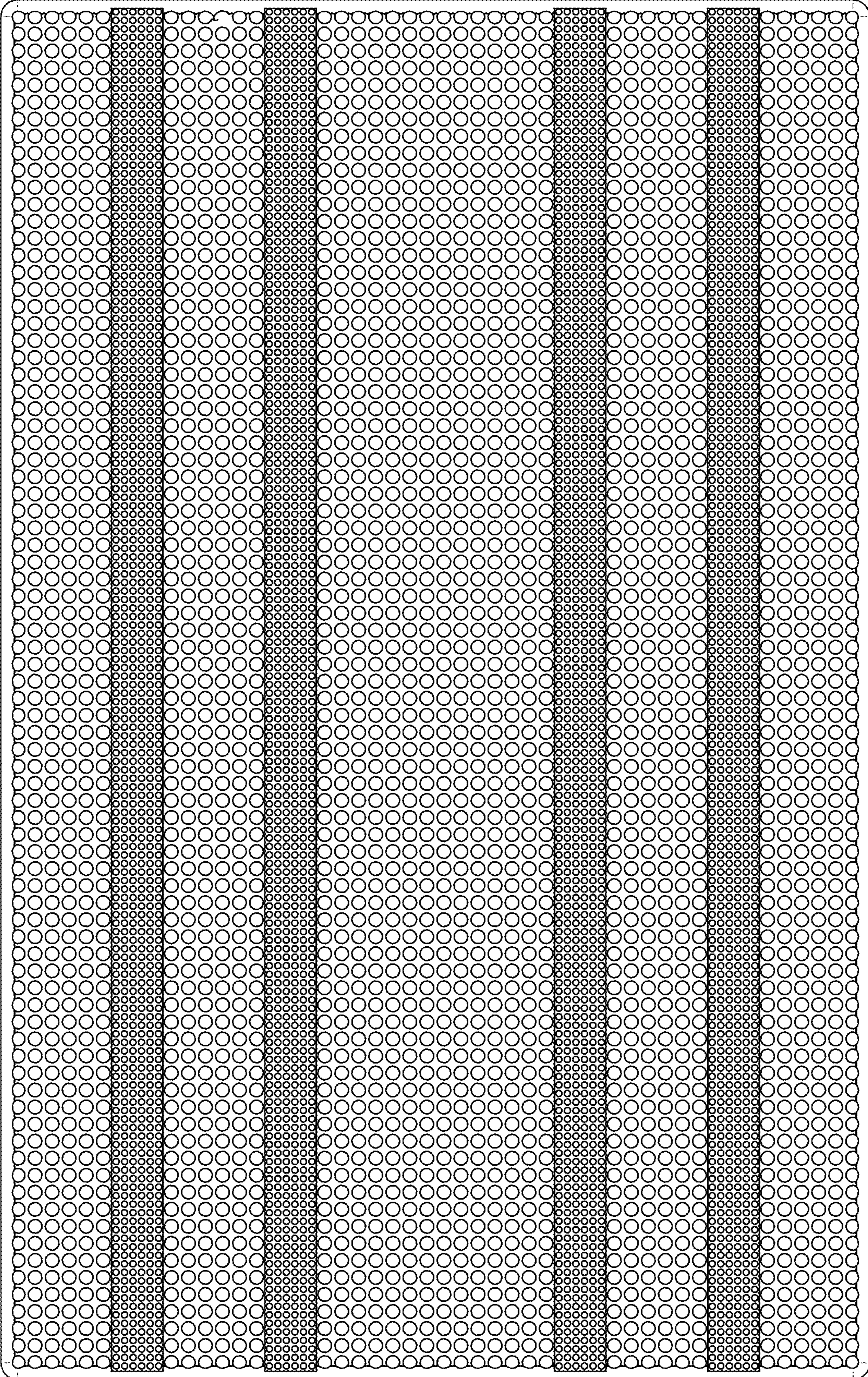


FIG. 7

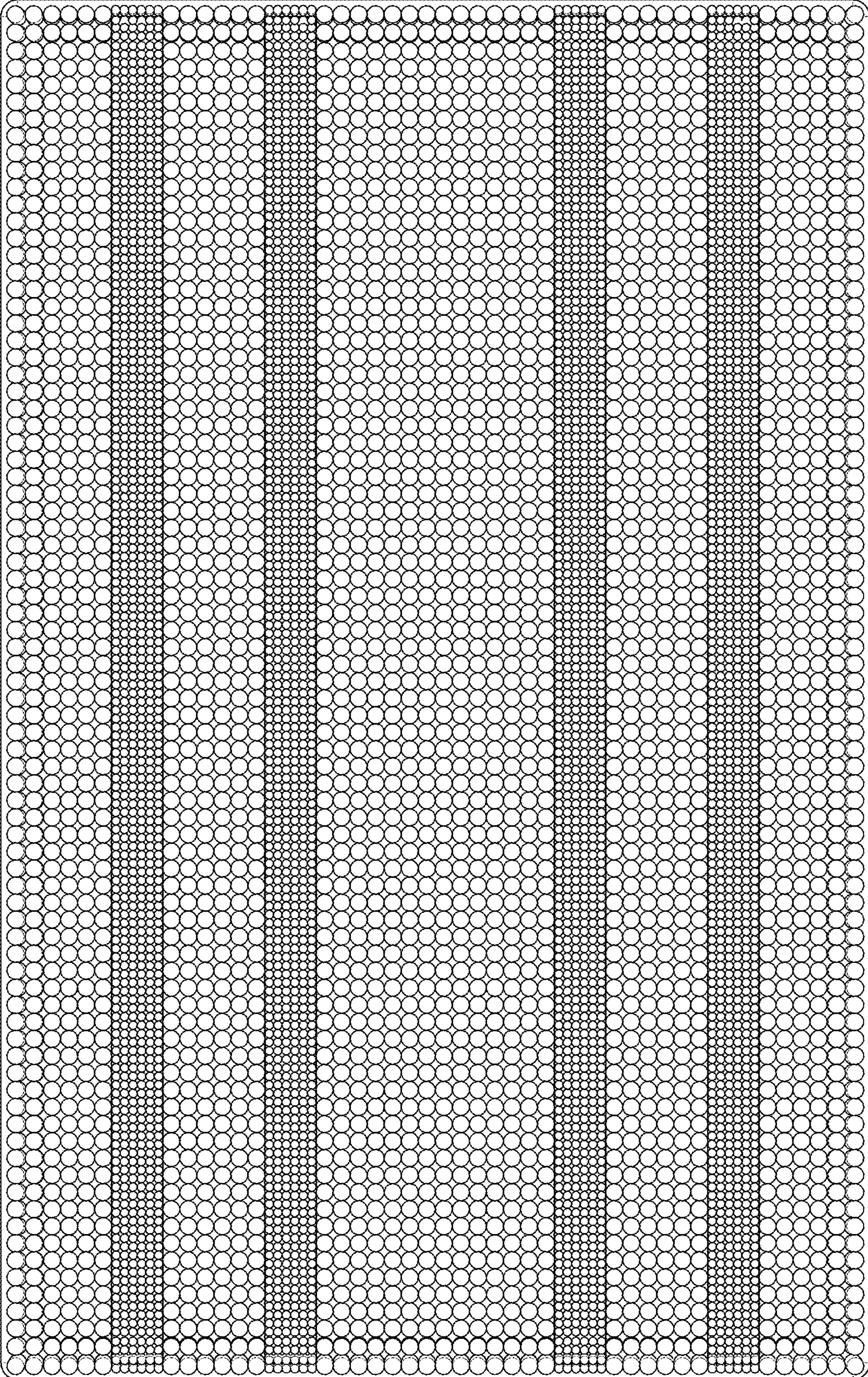


FIG. 8

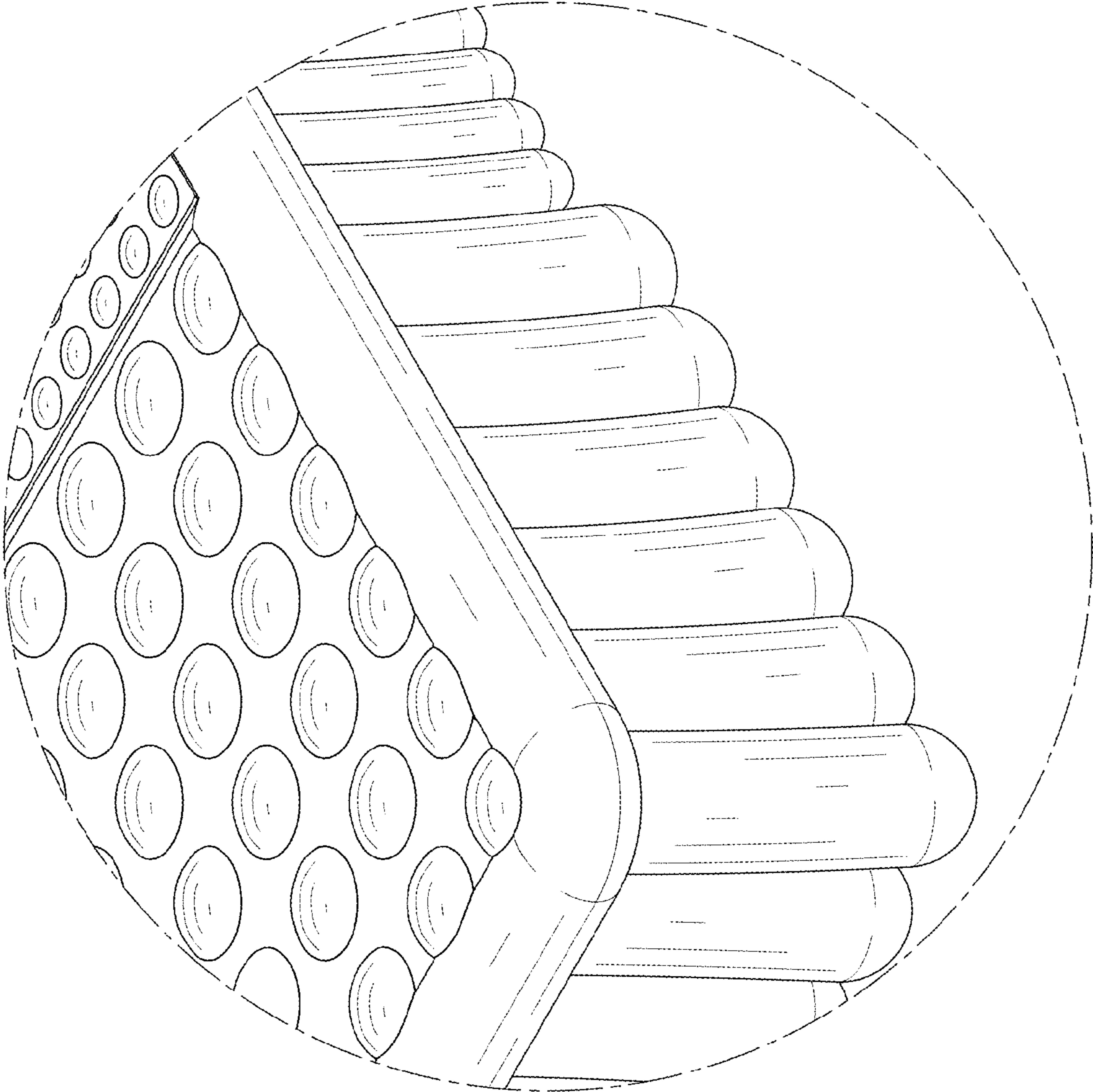


FIG. 9

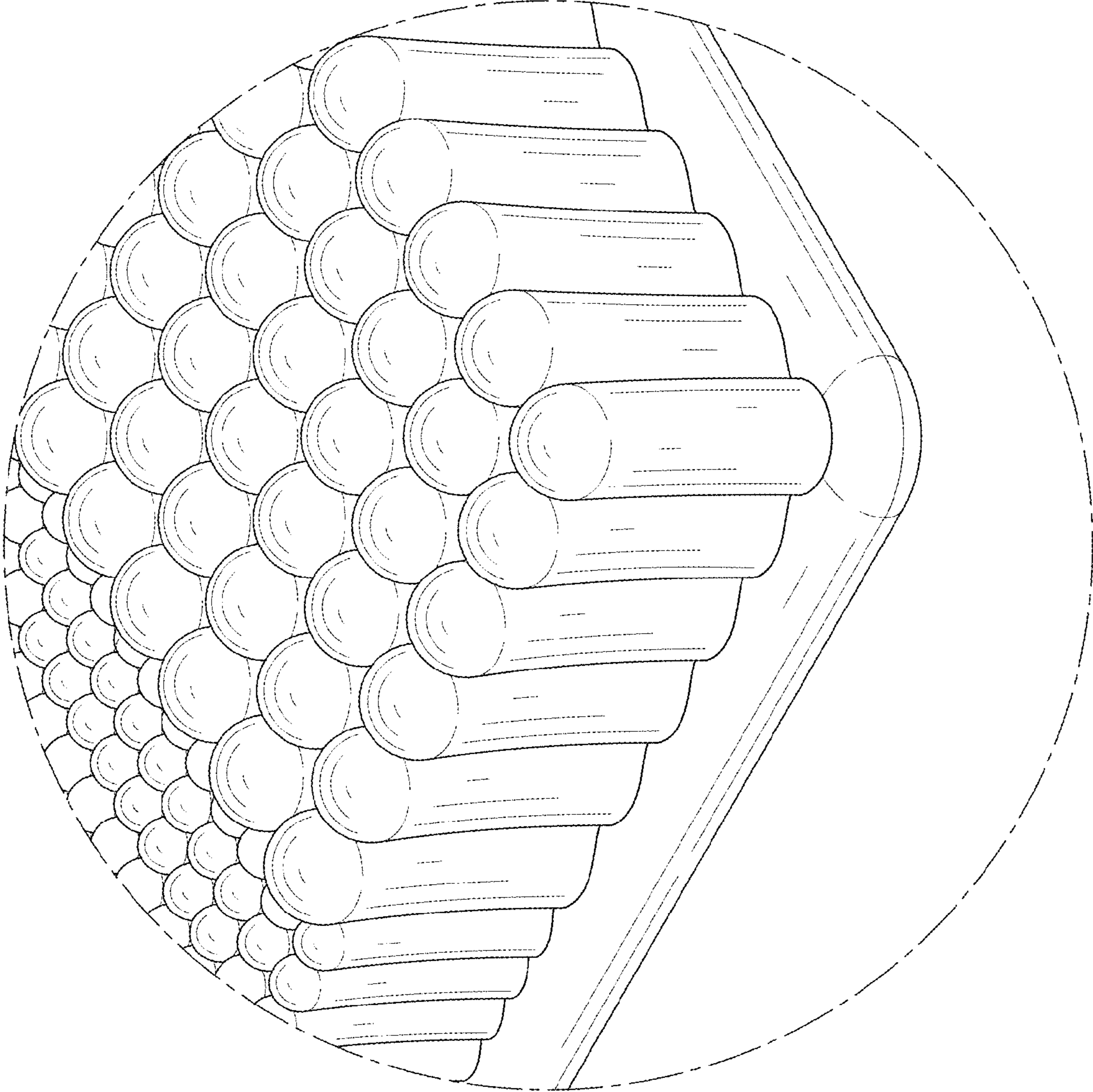


FIG. 10