



US00D968845S

(12) **United States Design Patent**  
**Gao**

(10) **Patent No.:** **US D968,845 S**

(45) **Date of Patent:** **\*\* Nov. 8, 2022**

- (54) **DISPLAY RACK**
- (71) Applicant: **NINGBO TIANDE XINYI TRADING CO., LTD**, Ningbo (CN)
- (72) Inventor: **Fang Gao**, Guangdong (CN)
- (73) Assignee: **NINGBO TIANDE XINYI TRADING CO., LTD.**, Ningbo (CN)
- (\*\*) Term: **15 Years**
- (21) Appl. No.: **29/757,288**
- (22) Filed: **Nov. 4, 2020**
- (51) **LOC (13) Cl.** ..... **08-08**
- (52) **U.S. Cl.**  
USPC ..... **D6/569**
- (58) **Field of Classification Search**  
USPC ..... D6/672, 675, 681, 683, 567, 570, 569,  
D6/315, 320, 512-514, 546, 566, 552,  
D6/553, 327, 300, 301, 303, 307;  
D8/349, 354, 367, 372; D11/131, 132;  
D20/10, 19, 42; 40/745; 248/300, 309.1;  
211/119.009, 10, 85, 87, 88.04, 89.01,  
211/90.01  
CPC ..... A47G 29/00; A47G 29/08; A47G 29/10;  
A47G 29/04; A47G 25/08; A47B 61/003;  
A47B 96/16; A47B 43/003; A47F 7/146;  
A47F 1/00; A47F 5/0018; A47F 5/0087;  
A47F 5/103; A47F 5/101; A47F 5/10;  
A47J 47/16; A47K 10/10  
See application file for complete search history.

- D285,156 S \* 8/1986 Chap ..... D6/570
- D293,753 S \* 1/1988 Thompson ..... D6/570
- 5,101,988 A \* 4/1992 Meyer ..... A47F 5/08  
211/184
- D354,646 S \* 1/1995 Weinstein ..... D6/567
- D411,390 S \* 6/1999 Polson ..... D6/407
- D457,770 S \* 5/2002 Shea ..... D6/567
- D463,697 S \* 10/2002 Klein ..... D6/514
- D578,815 S \* 10/2008 Dominique ..... D6/570
- D816,353 S \* 5/2018 Barre ..... D6/320
- 10,016,075 B1 \* 7/2018 Kula ..... A47B 57/404
- D839,641 S \* 2/2019 Cao ..... D6/675.2
- D841,374 S \* 2/2019 Felsenthal ..... D6/681
- D842,005 S \* 3/2019 Tsai ..... D19/90
- D873,081 S \* 1/2020 Goodman ..... D7/600.1
- D904,127 S \* 12/2020 Song ..... D7/600.1
- D909,138 S \* 2/2021 Song ..... D7/600.4
- D914,411 S \* 3/2021 Lu ..... D6/675.4
- D928,528 S \* 8/2021 Liu ..... D6/514
- D942,772 S \* 2/2022 Liu ..... D6/569

(Continued)

**FOREIGN PATENT DOCUMENTS**

CN 307225126 \* 4/2022

*Primary Examiner* — Marie D. Fast Horse

*Assistant Examiner* — Jennifer Sierra Yosinski

(57) **CLAIM**

The ornamental design for a display rack, as shown and described.

**DESCRIPTION**

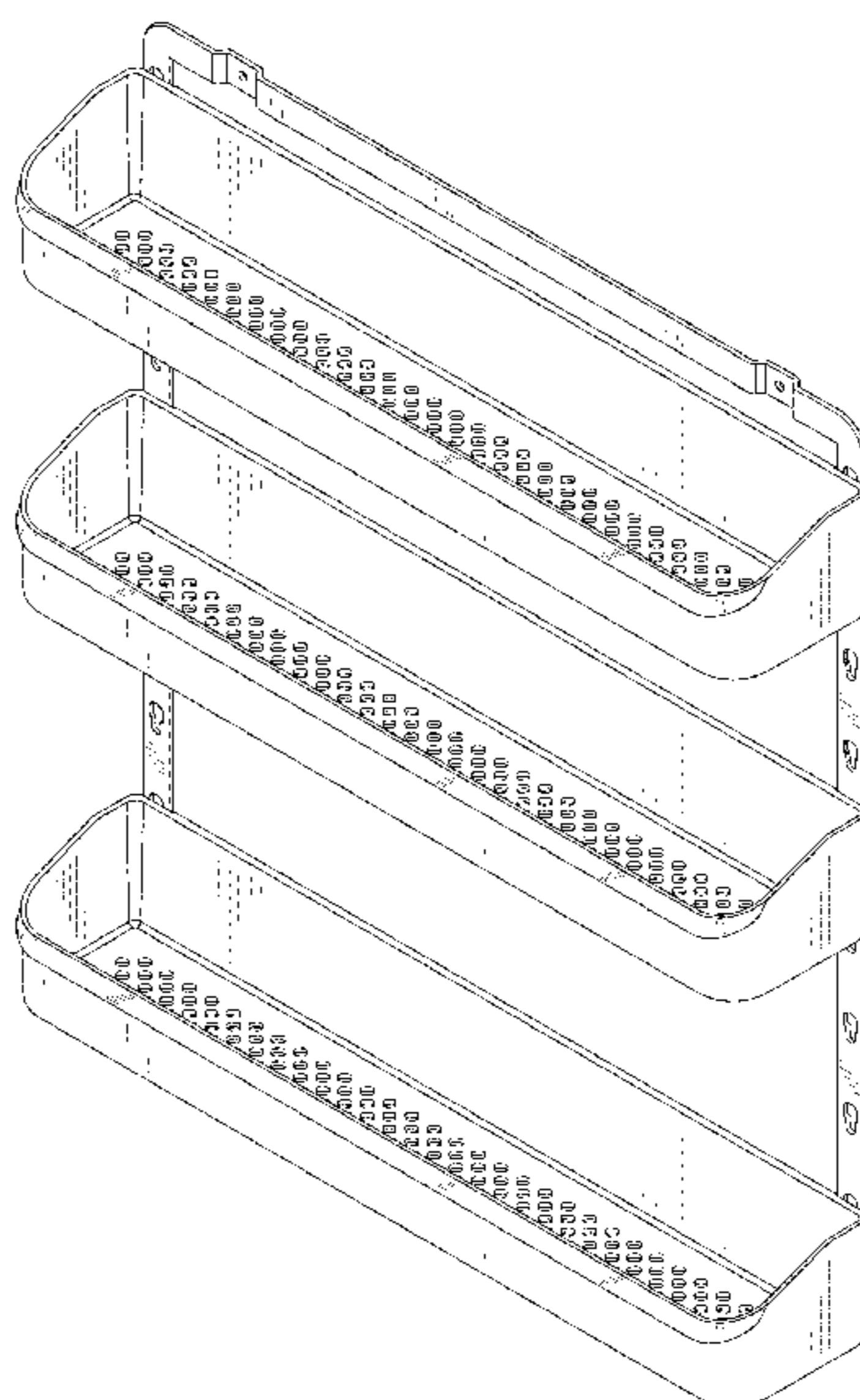
FIG. 1 is a perspective view of a display rack showing my new design;  
 FIG. 2 is a front view thereof;  
 FIG. 3 is a back view thereof;  
 FIG. 4 is a left side view thereof;  
 FIG. 5 is a right side view thereof;  
 FIG. 6 is a top view thereof; and,  
 FIG. 7 is a bottom view thereof.

**1 Claim, 7 Drawing Sheets**

(56) **References Cited**

**U.S. PATENT DOCUMENTS**

- 1,893,755 A \* 1/1933 Wentworth ..... A47J 47/16  
211/188
- 2,864,512 A \* 12/1958 Hoose ..... A47F 5/13  
108/181
- D284,049 S \* 6/1986 Nathan ..... D6/675.4



(56)

**References Cited**

U.S. PATENT DOCUMENTS

D948,237 S \* 4/2022 Duffy ..... D6/315  
D948,899 S \* 4/2022 Li ..... D6/680.3  
2003/0085188 A1\* 5/2003 Klein ..... A47B 57/10  
211/90.03  
2021/0076822 A1\* 3/2021 Zhu ..... A47B 96/025

\* cited by examiner

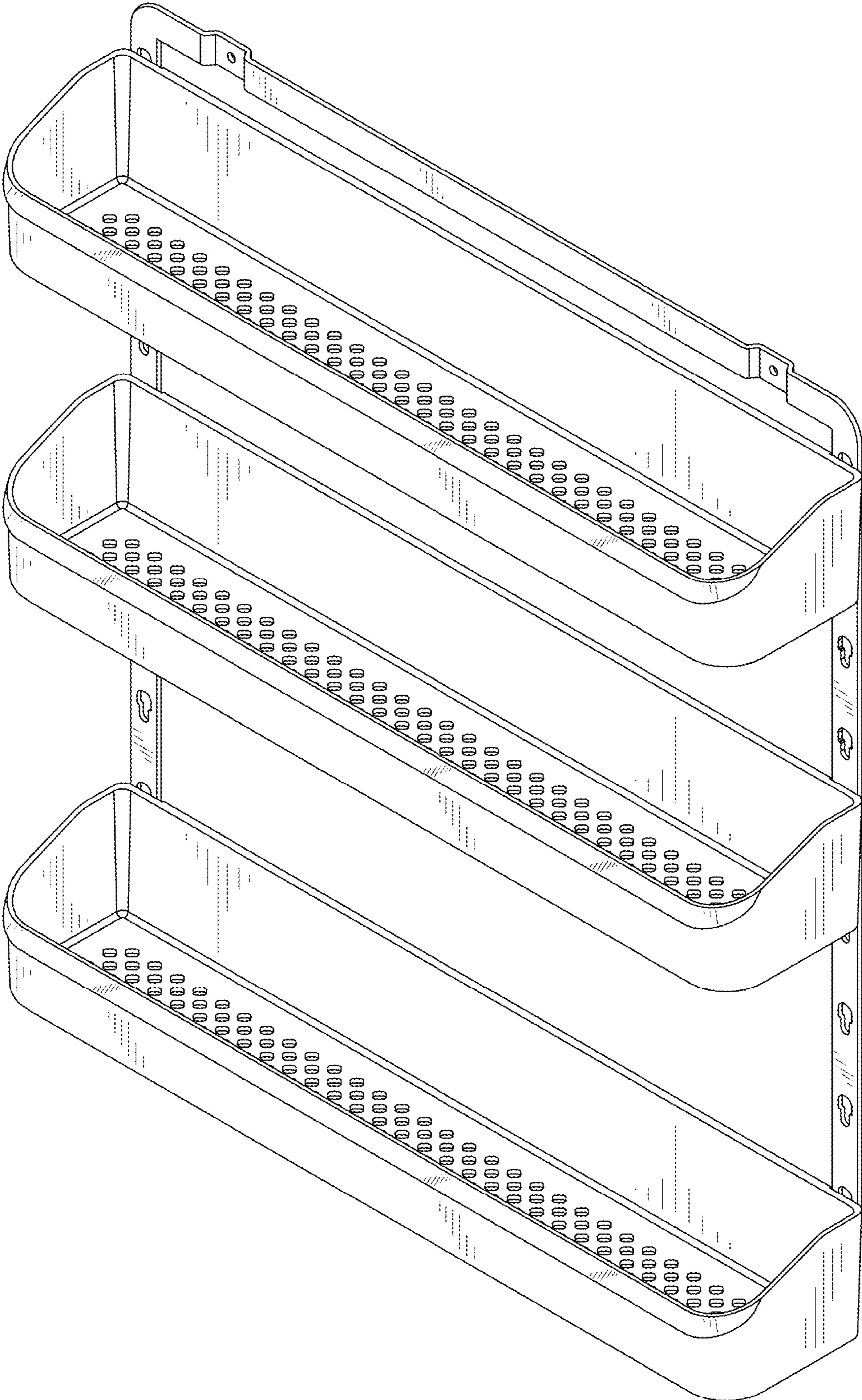


FIG. 1

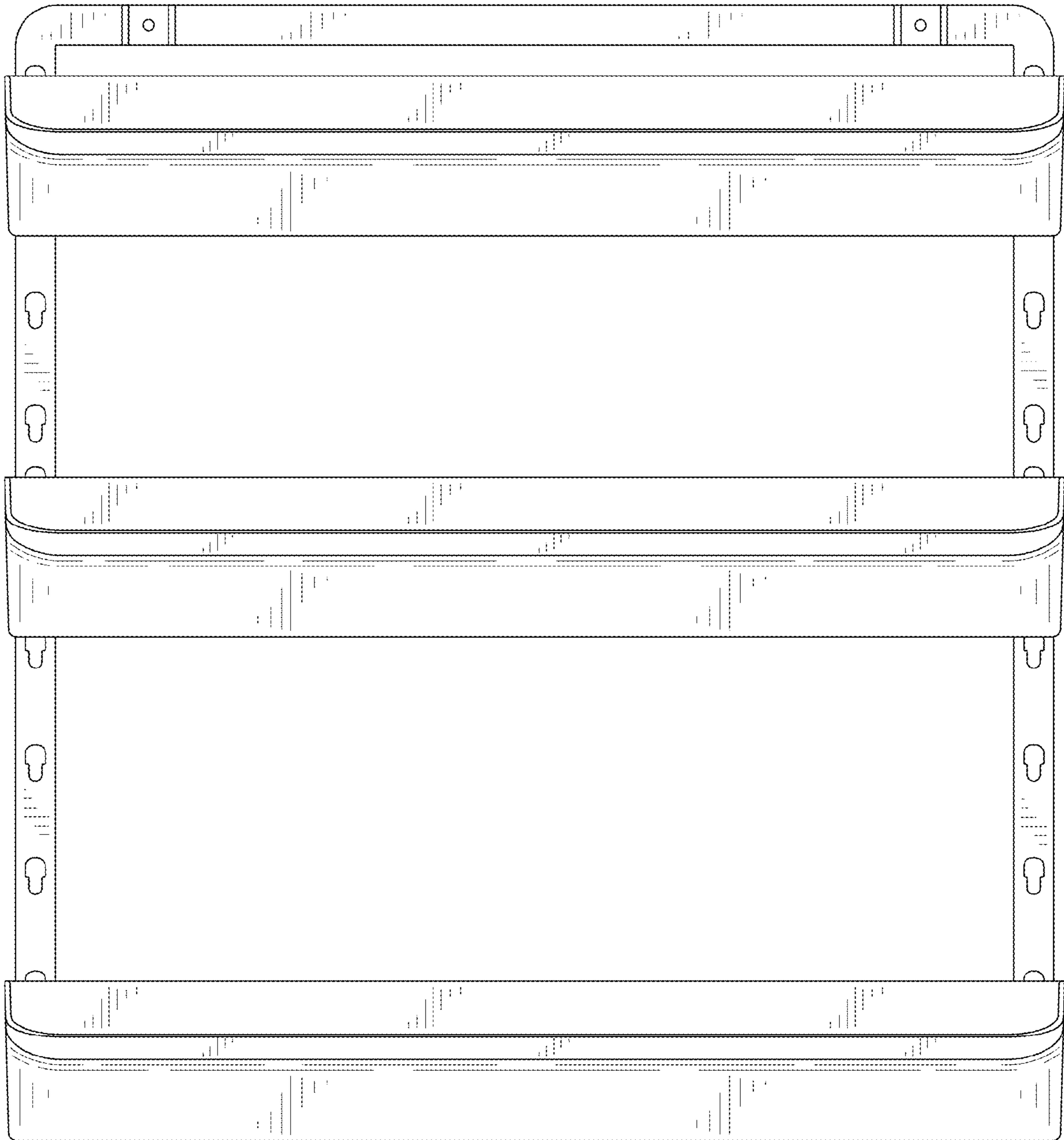


FIG. 2

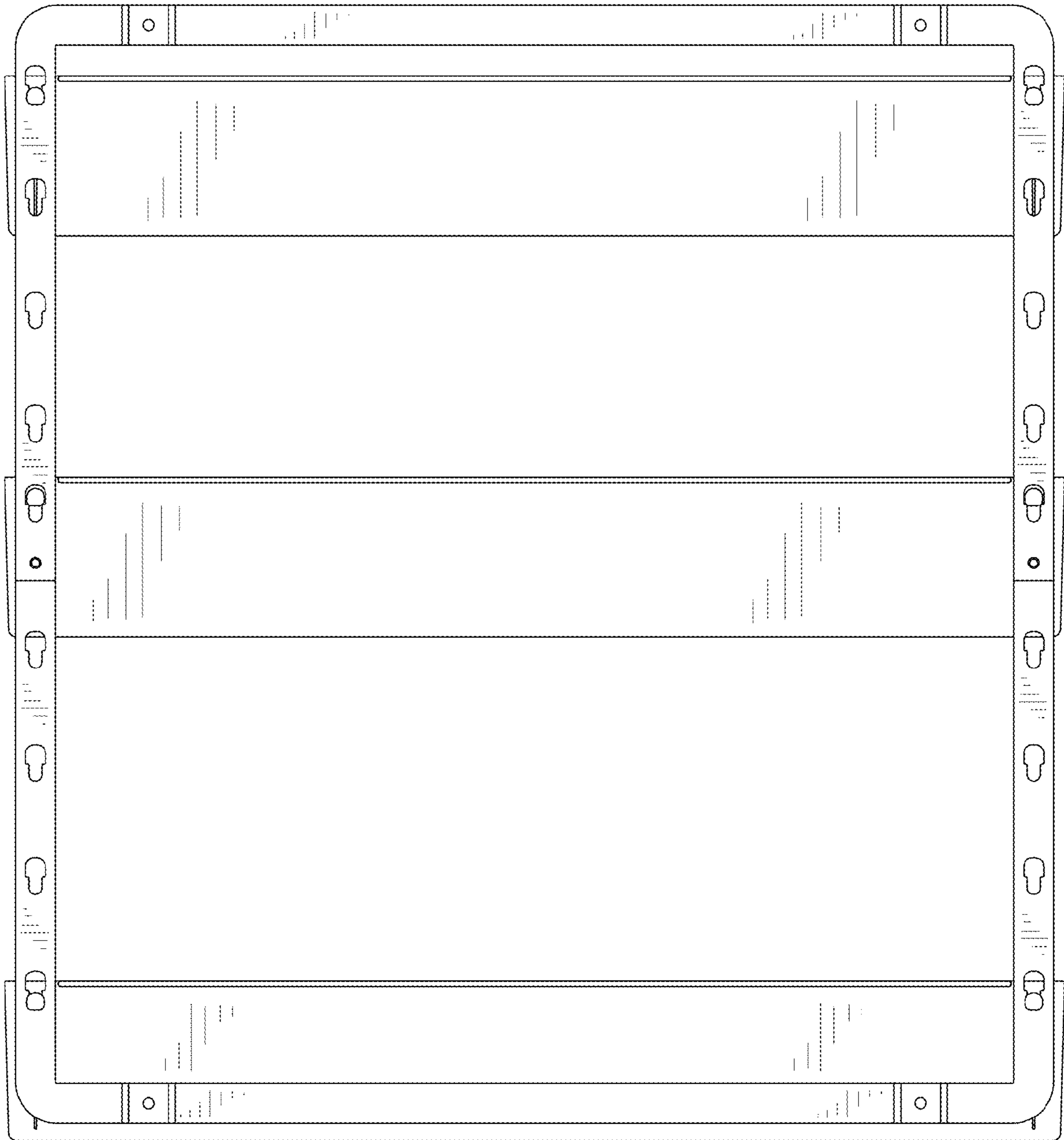


FIG. 3

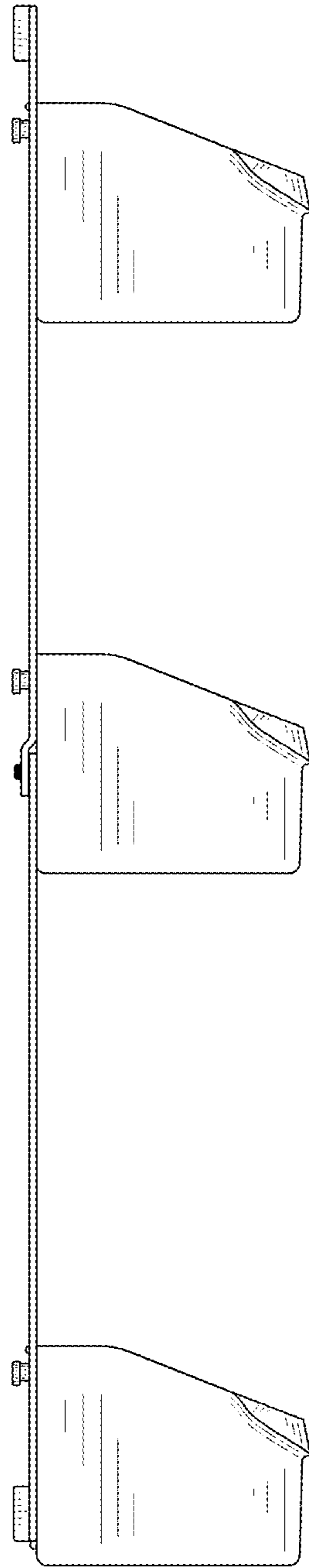


FIG. 4

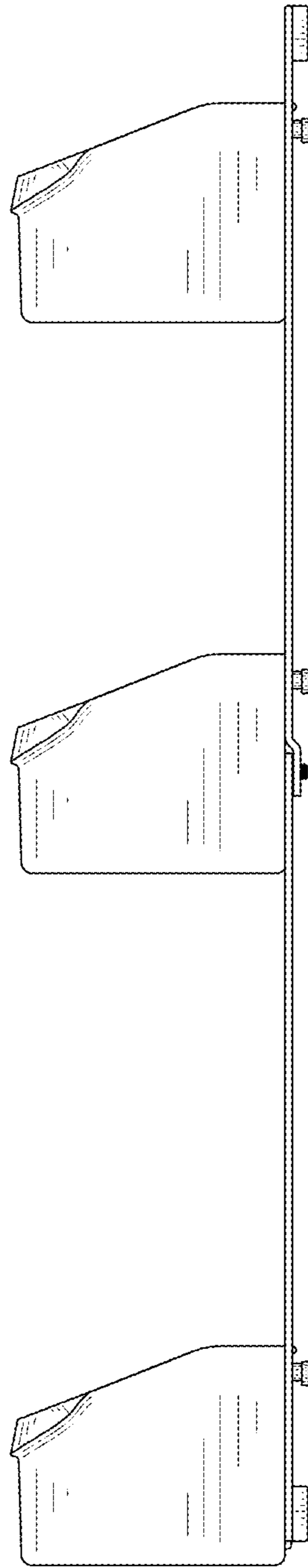


FIG. 5

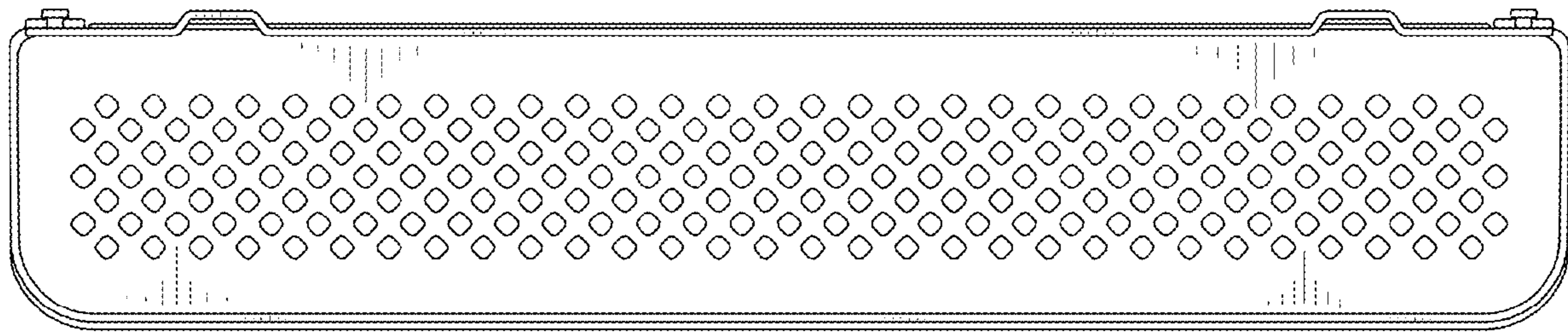


FIG. 6



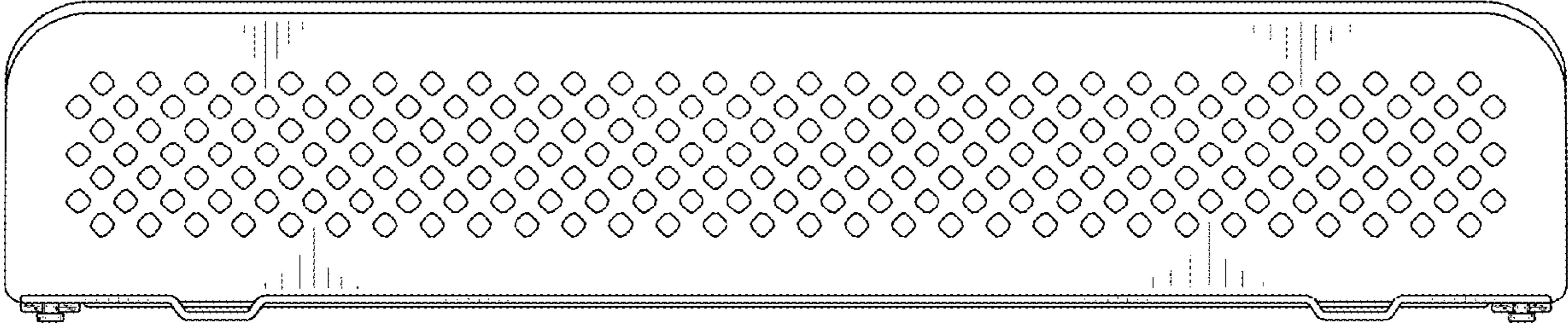


FIG. 7