



US00D968842S

(12) **United States Design Patent** (10) **Patent No.:** **US D968,842 S**  
**Lu** (45) **Date of Patent:** **\*\* Nov. 8, 2022**

(54) **SOAP DISH**  
(71) Applicant: **Yanzhe Lu**, Fushan Town (CN)  
(72) Inventor: **Yanzhe Lu**, Fushan Town (CN)  
(\*\*) Term: **15 Years**  
(21) Appl. No.: **29/801,156**  
(22) Filed: **Jul. 27, 2021**  
(51) **LOC (13) Cl.** ..... **23-02**  
(52) **U.S. Cl.**  
USPC ..... **D6/536**  
(58) **Field of Classification Search**  
USPC ..... D6/536-537, 524, 525, 540, 566, 567,  
D6/320; D3/306; D32/55-56; D7/637  
CPC .. B23P 17/04; A47K 1/09; A47K 1/08; A47K  
3/281; F16B 47/00  
See application file for complete search history.

D706,008 S \* 5/2014 Lerner ..... D32/55  
D713,652 S \* 9/2014 Barclay ..... D6/536  
D785,969 S \* 5/2017 Burrow ..... D6/536  
D838,509 S 1/2019 Joseph  
D852,537 S \* 7/2019 Goodman ..... D6/536  
D854,348 S \* 7/2019 Gabriel ..... D6/536  
D854,853 S \* 7/2019 Bearsch ..... D23/304

(Continued)

**OTHER PUBLICATIONS**

Amazon.com, Wondeken 2 Piece Bars Soap Dish Self Draining Suction Cup Adsorption, Feb. 10, 2022, <https://www.amazon.com/Wondeken-Draining-Suction-Adsorption-Bathroom/dp/B09S5GG3LH/> (Year: 2022).\*

(Continued)

*Primary Examiner* — Nathan M Johnston  
(74) *Attorney, Agent, or Firm* — Xuan Zhang

(57) **CLAIM**

The ornamental design for a soap dish, as shown and described.

(56) **References Cited**

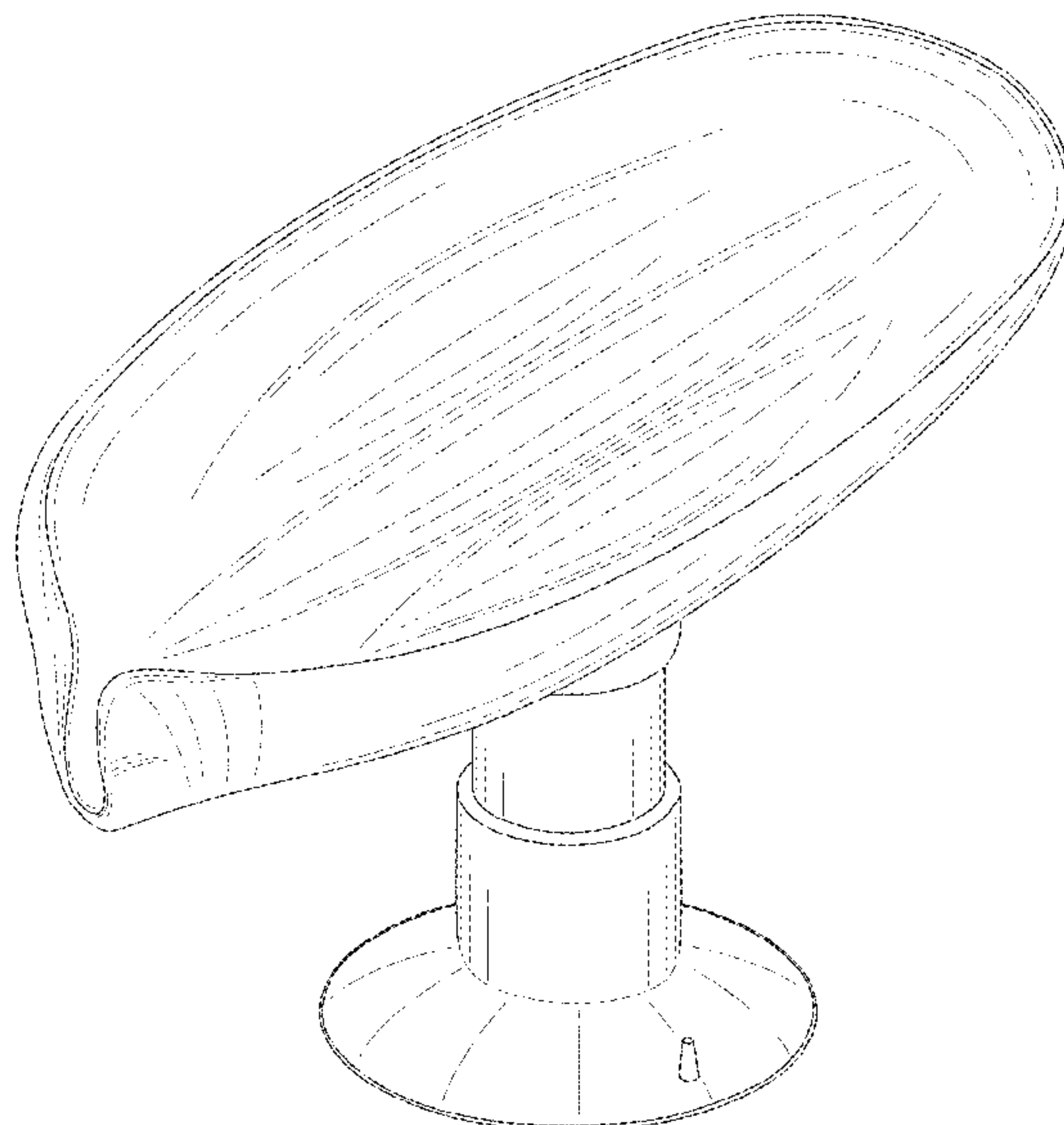
**U.S. PATENT DOCUMENTS**

D23,182 S \* 4/1894 Ratcliff ..... D28/73  
D102,440 S \* 12/1936 Murphy ..... D20/43  
5,253,752 A \* 10/1993 Jang ..... A47K 5/02  
248/318  
D344,828 S \* 3/1994 Adams ..... D32/56  
D358,070 S \* 5/1995 Sharpe ..... D6/531  
D358,517 S \* 5/1995 Sharpe ..... D6/536  
D360,809 S \* 8/1995 Longtin ..... D7/637  
D375,859 S \* 11/1996 Sharpe ..... D6/536  
D376,285 S \* 12/1996 Grippo ..... D6/536  
D386,343 S \* 11/1997 Moore ..... D6/532  
D390,393 S \* 2/1998 Sharpe ..... D6/540  
D426,734 S \* 6/2000 Fuchs ..... D6/524  
D444,976 S \* 7/2001 Hundley ..... D6/540  
D478,232 S \* 8/2003 Dretzka ..... D6/536  
D547,583 S \* 7/2007 Dretzka ..... D6/536  
D552,904 S \* 10/2007 Duncan ..... D6/536  
D595,466 S \* 6/2009 Sofy ..... D32/56  
D599,595 S \* 9/2009 Dretzka ..... D6/536  
D666,041 S \* 8/2012 Hwang ..... D6/536

**DESCRIPTION**

FIG. 1 is a perspective view of a soap dish showing my new design;  
FIG. 2 is a front view thereof;  
FIG. 3 is a rear view thereof;  
FIG. 4 is a right view thereof;  
FIG. 5 is a left view thereof;  
FIG. 6 is a top view thereof;  
FIG. 7 is a bottom view thereof; and,  
FIG. 8 is an exploded perspective view thereof, showing a bar of soap placed on the soap dish.  
The broken lines shown in the drawings are included for the purpose of illustrating environmental structure and unclaimed portions of the soap dish and form no part of the claimed design.

**1 Claim, 8 Drawing Sheets**



(56)

**References Cited**

U.S. PATENT DOCUMENTS

D866,218 S 11/2019 Klieman  
D878,089 S 3/2020 Hierath  
D887,170 S 6/2020 Lopez  
2014/0239135 A1\* 8/2014 Barclay ..... A47K 5/03  
248/149

OTHER PUBLICATIONS

Amazon.com, Bar Soap Holder, Jun. 19, 2021, <https://www.amazon.com/YUOROS-Container-Suction-Draining-Bathroom/dp/B095S1CW3L/> (Year: 2021).\*

\* cited by examiner

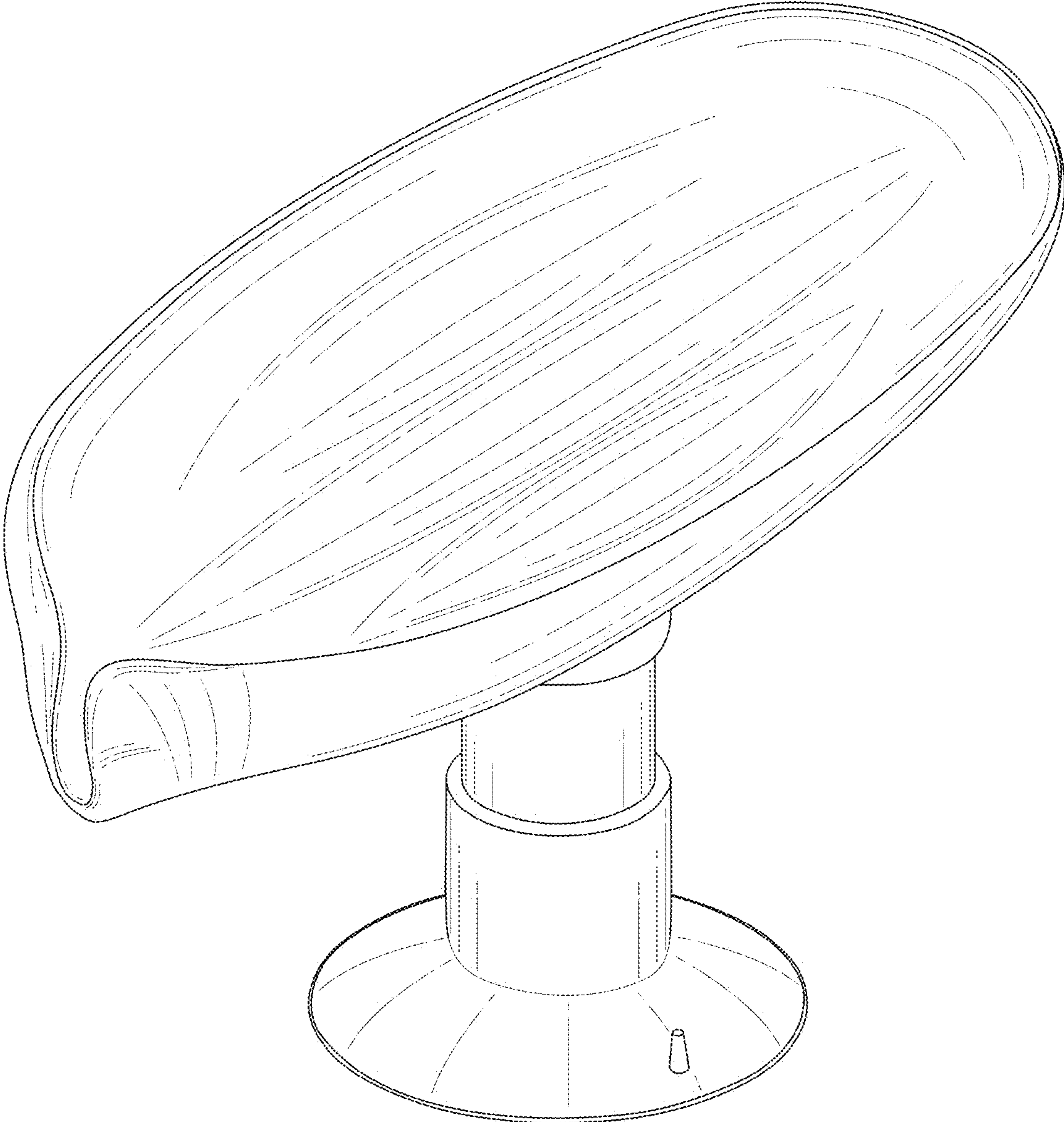


FIG. 1

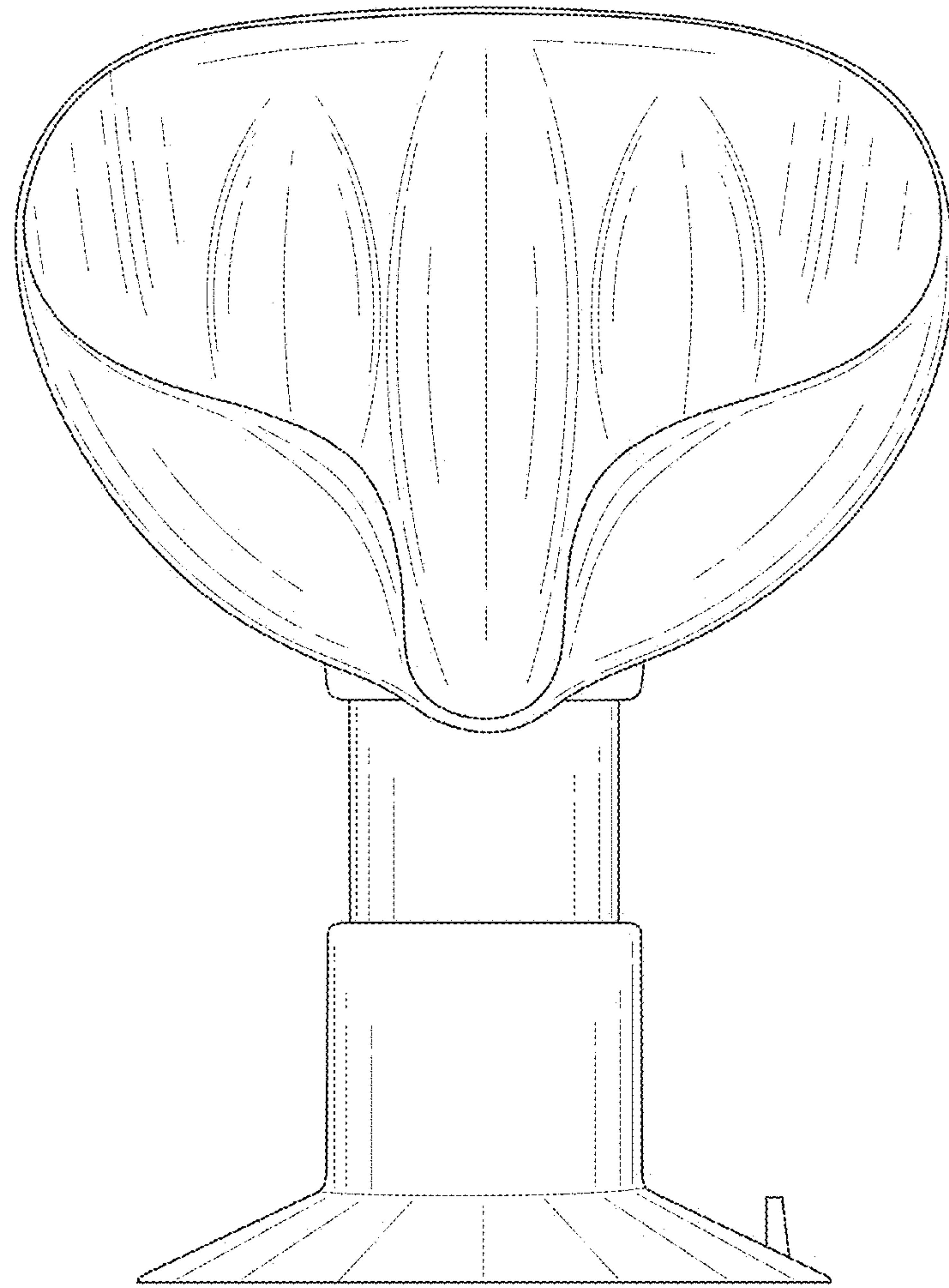


FIG. 2

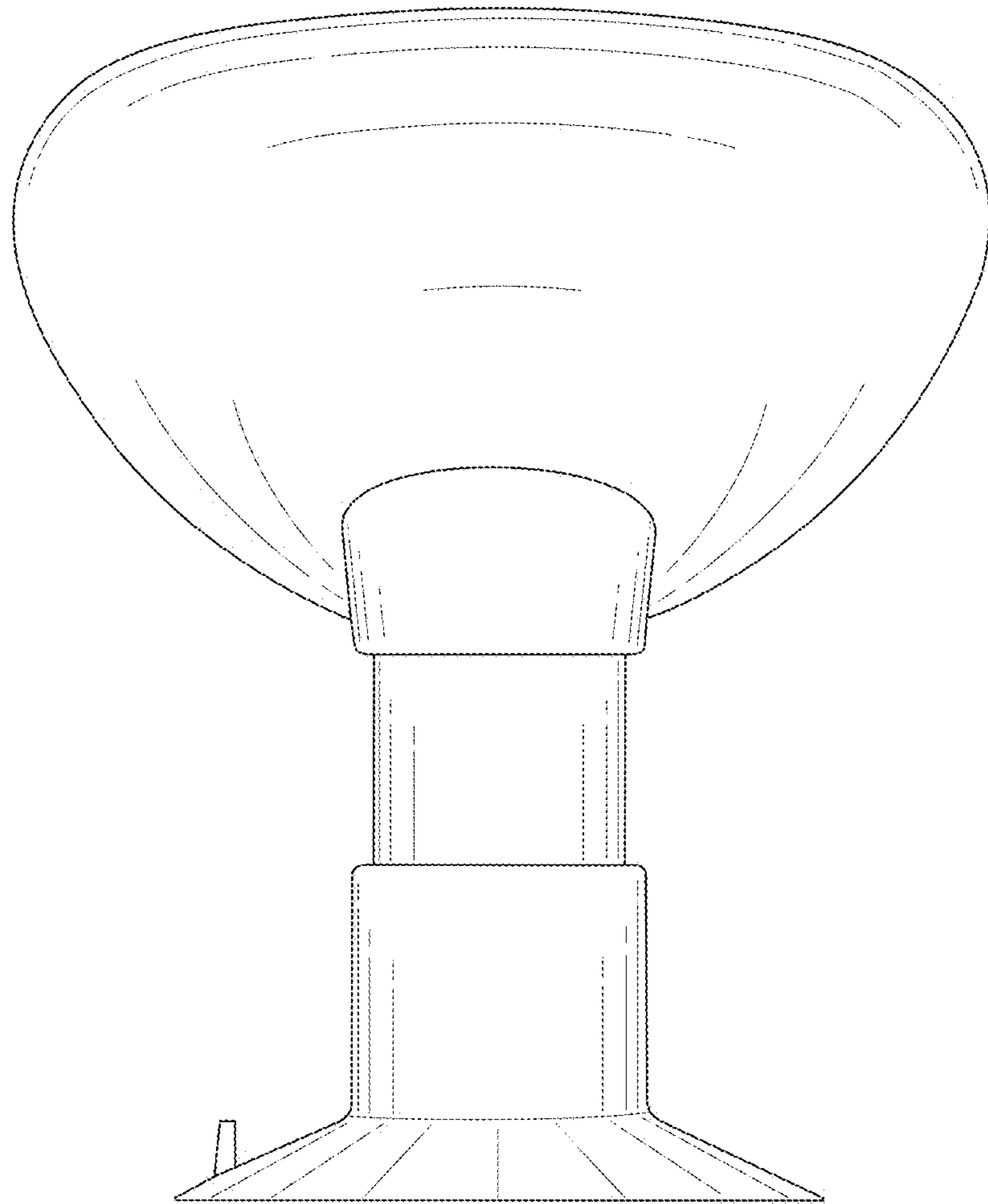


FIG. 3



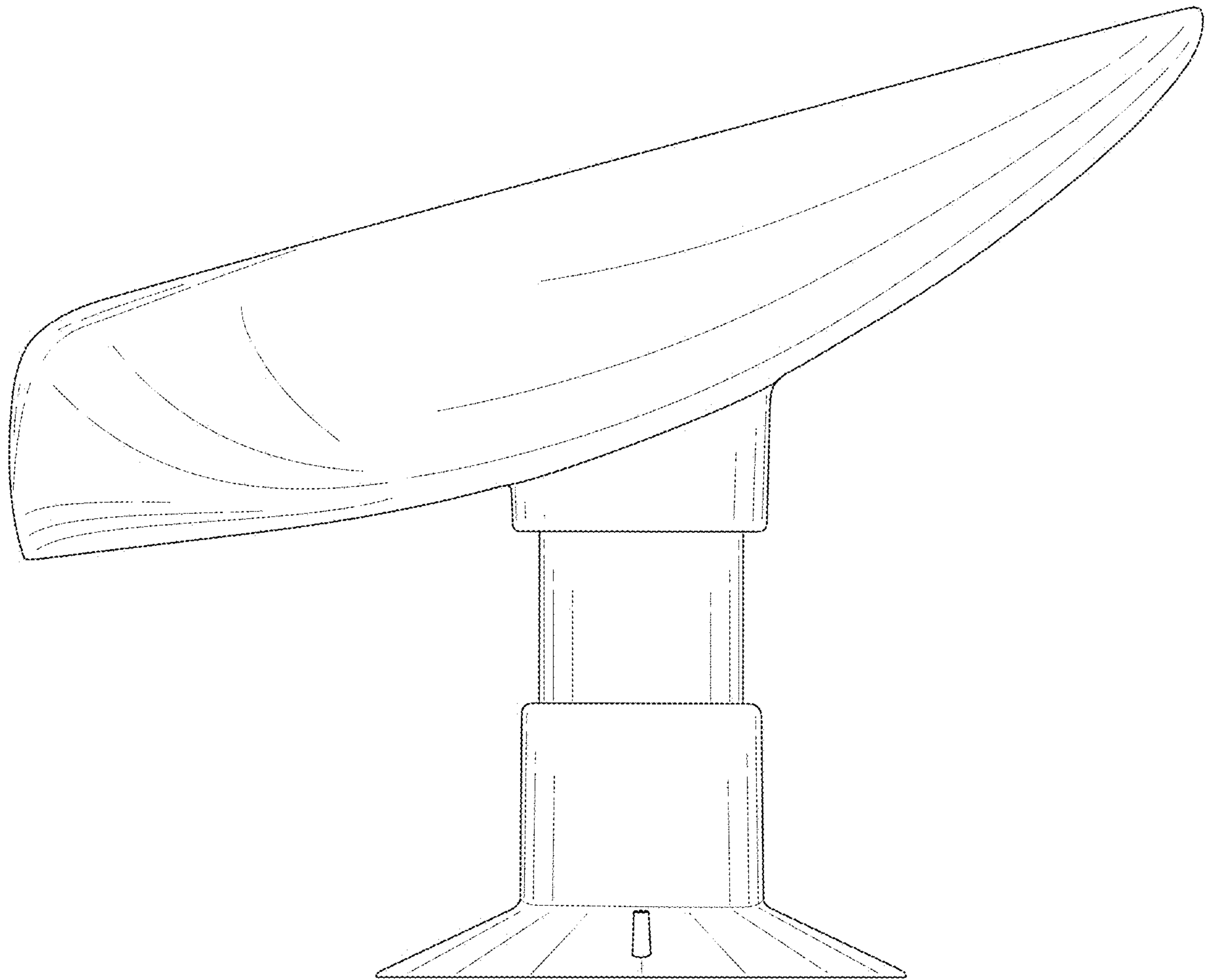


FIG. 4

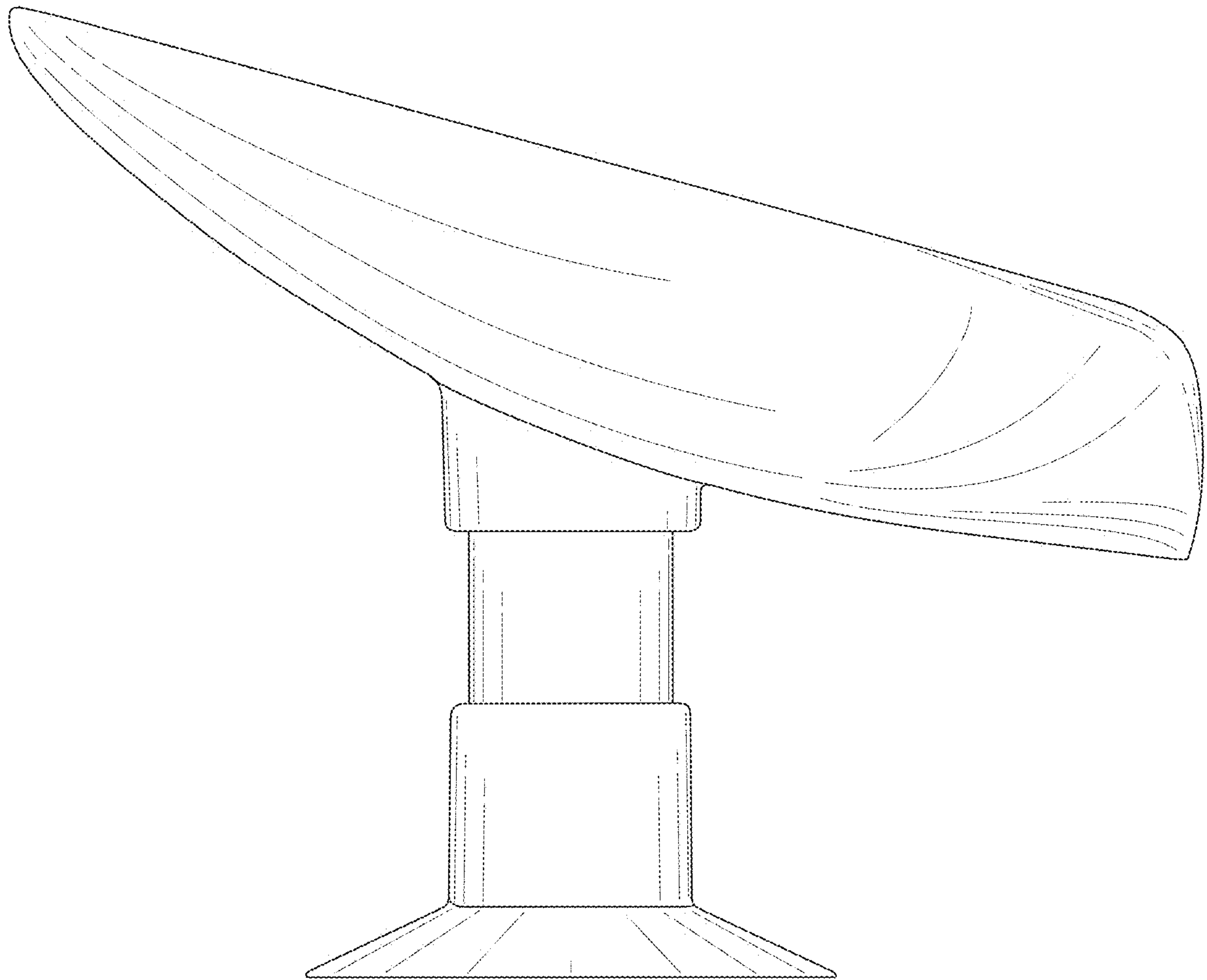


FIG. 5

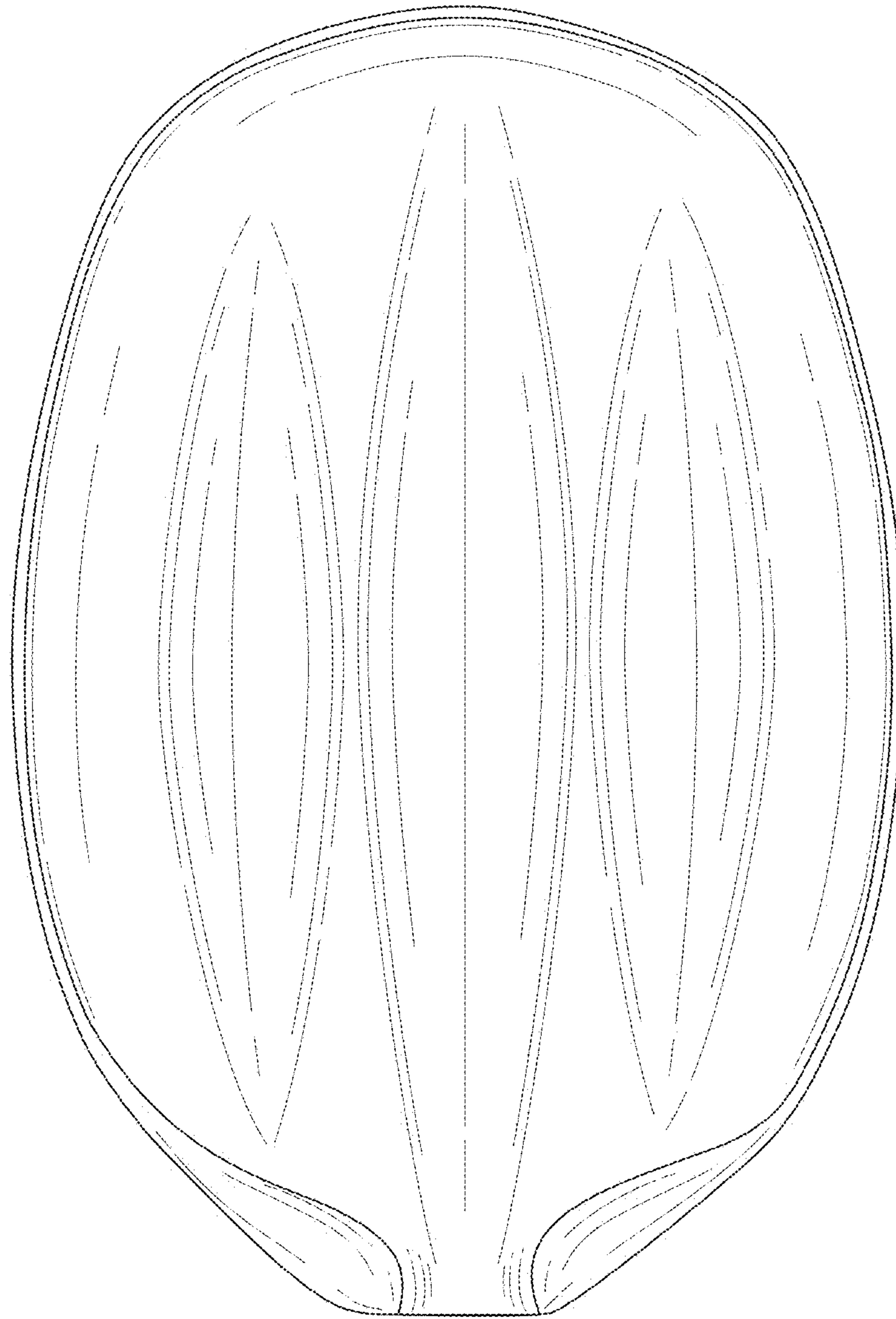


FIG. 6



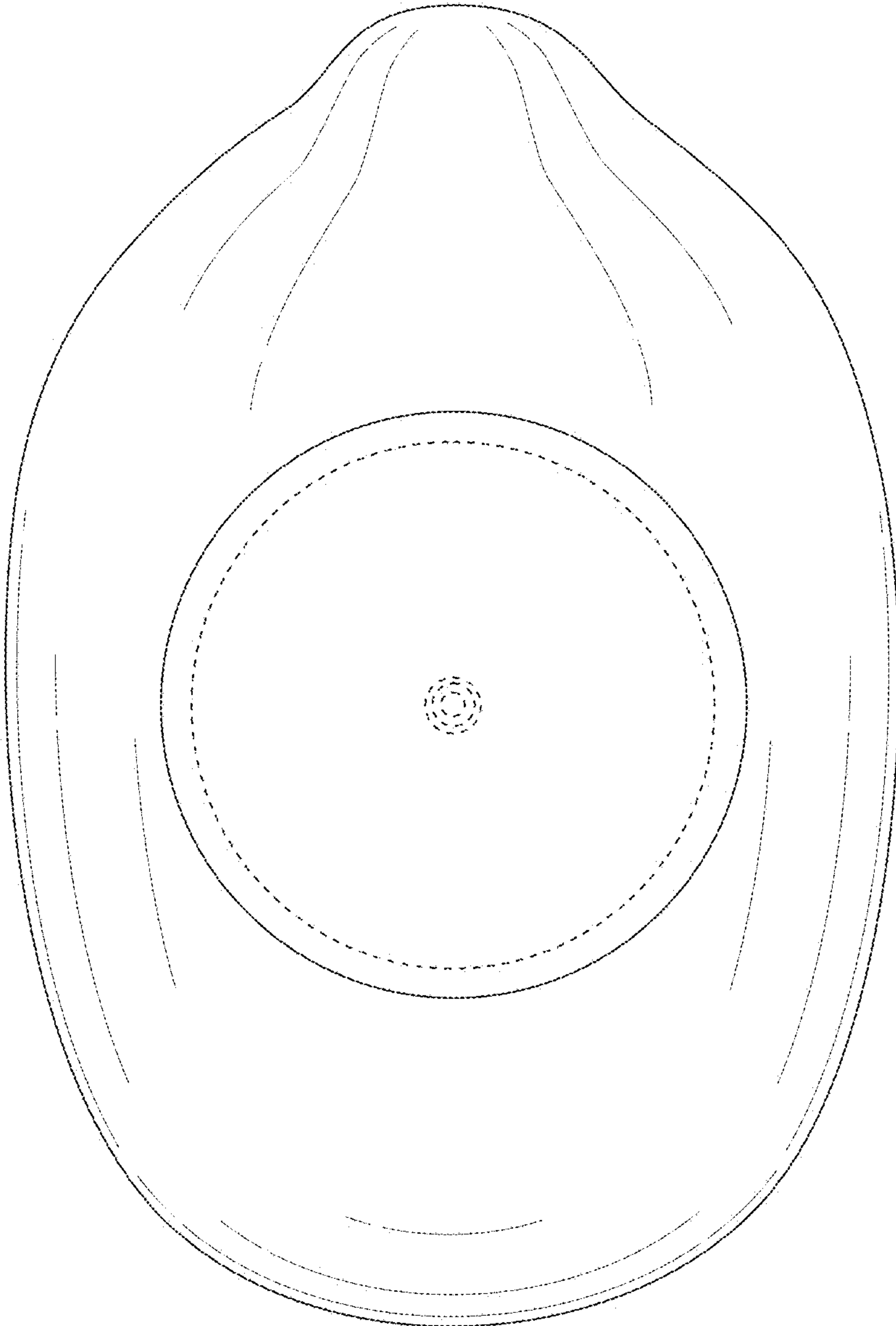


FIG. 7

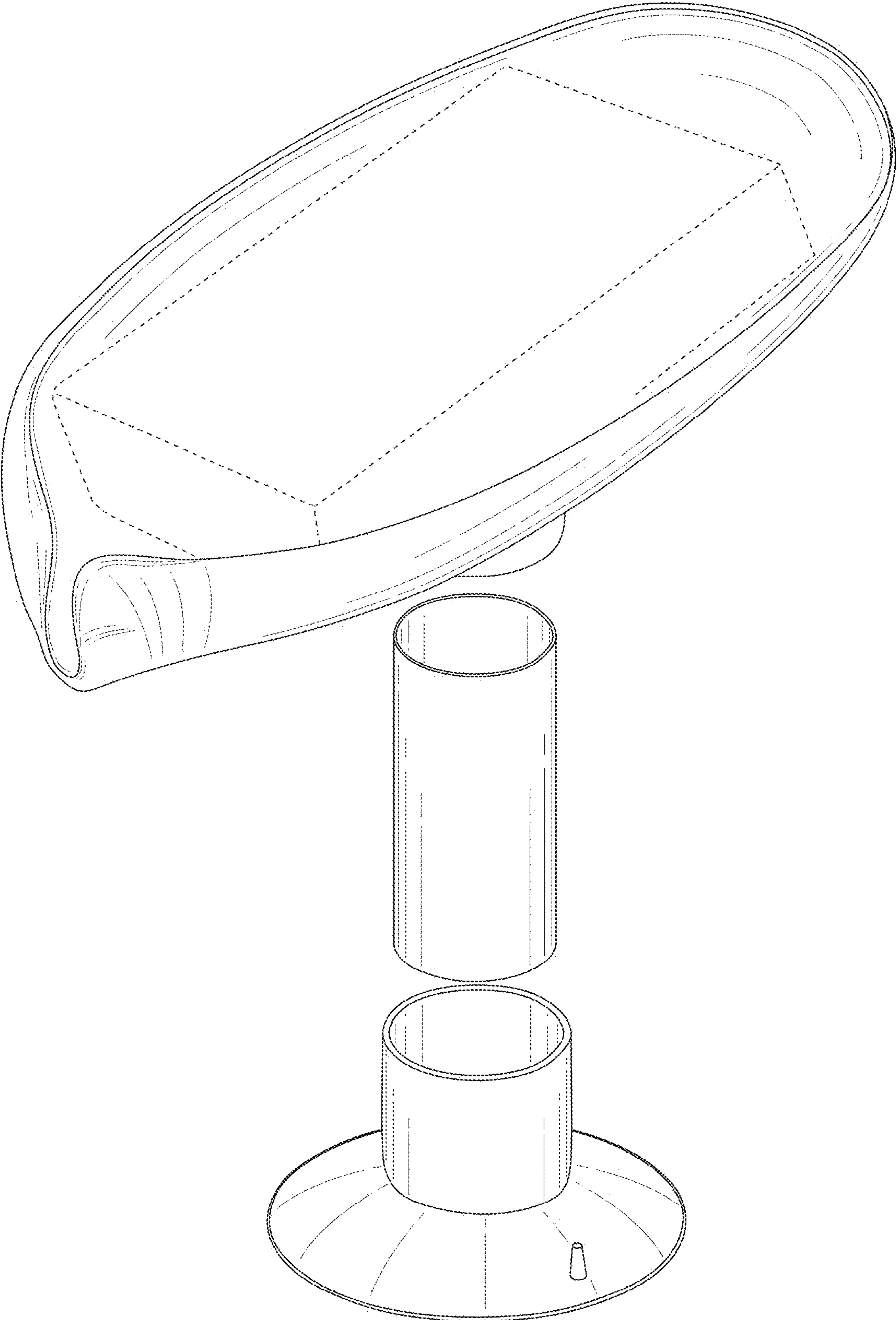


FIG. 8