



US00D968841S

(12) **United States Design Patent** (10) **Patent No.:** **US D968,841 S**
Magar (45) **Date of Patent:** **** *Nov. 8, 2022**

(54) **HOLDER**
(71) Applicant: **John Richard Magar**, Millsboro, DE (US)
(72) Inventor: **John Richard Magar**, Millsboro, DE (US)
(*) Notice: This patent is subject to a terminal disclaimer.

5,386,910 A * 2/1995 Liss B65F 1/062
220/676
D402,839 S * 12/1998 Bova D6/540
D407,252 S * 3/1999 Hampshire D6/540
D532,639 S * 11/2006 Snell D6/567
D585,224 S * 1/2009 Hwang D6/553
D592,434 S * 5/2009 Thompson D6/553
D625,130 S * 10/2010 Szczepanowski D6/526
D834,347 S * 11/2018 Logan, Jr. D6/518
D839,023 S * 1/2019 Zicanovic D3/304
D883,708 S * 5/2020 Dittrich D6/540
D883,755 S * 5/2020 Nicholson D34/27

(**) Term: **15 Years**

* cited by examiner

(21) Appl. No.: **29/715,400**

Primary Examiner — Nathan M Johnston

(22) Filed: **Dec. 2, 2019**

(74) *Attorney, Agent, or Firm* — Edwin A. Sisson,
Attorney at Law, LLC; Jeffrey J. Banyas

(51) **LOC (13) Cl.** **28-03**

(52) **U.S. Cl.**
USPC **D6/526**

(57) **CLAIM**

The ornamental design for a holder, as shown and described.

(58) **Field of Classification Search**
USPC D6/526, 527, 512, 524, 528, 534, 540;
211/13.1, 66, 70.6, 86.01, 87.01, 89.01;
248/127, 176.1, 200, 205.5, 309.1, 314;
206/244, 361, 362.1, 362.2, 362.3, 208,
206/209, 228, 252, 345–360, 493, 775
CPC A45D 27/29; A45D 27/225; A45D 27/24;
A45D 27/46; A45D 34/06; B26B 21/32;
B26B 5/006; B26B 21/14
See application file for complete search history.

DESCRIPTION

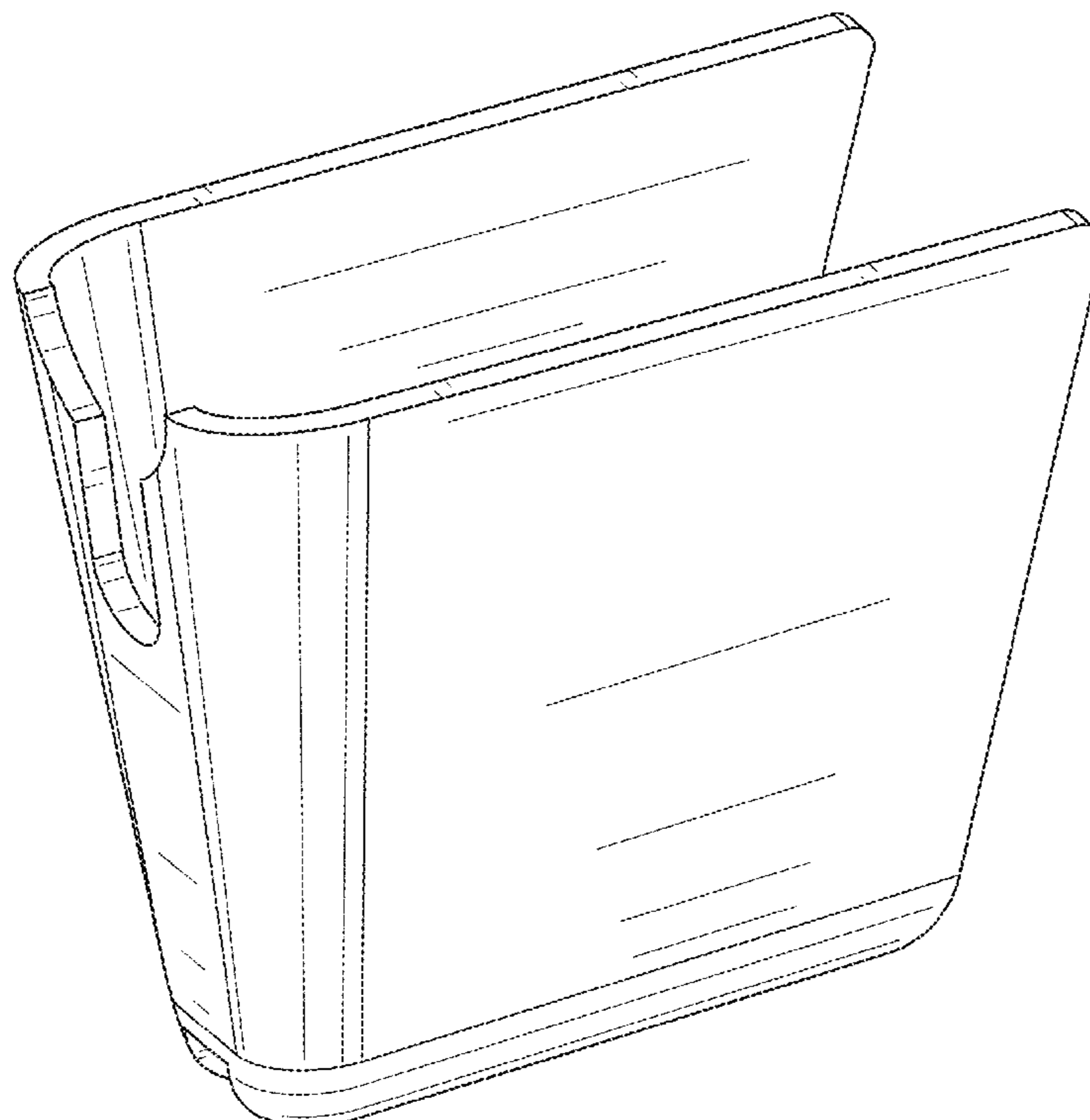
FIG. 1 is a perspective front view of a holder;
FIG. 2 is a front view of the holder;
FIG. 3 is a rear view of the holder;
FIG. 4 is a right side view of the holder;
FIG. 5 is a left side view of the holder;
FIG. 6 is a top view of the holder;
FIG. 7 is a bottom view of the holder;
FIG. 8 is a perspective view of the holder in use; and,
FIG. 9 is a perspective view of two holders in use mounted
on a wall and holding a razor.
The broken lines form no part of the claimed design.

(56) **References Cited**

U.S. PATENT DOCUMENTS

D251,970 S * 5/1979 Fujita D6/526
D343,402 S * 1/1994 Scoppettone D6/567

1 Claim, 8 Drawing Sheets



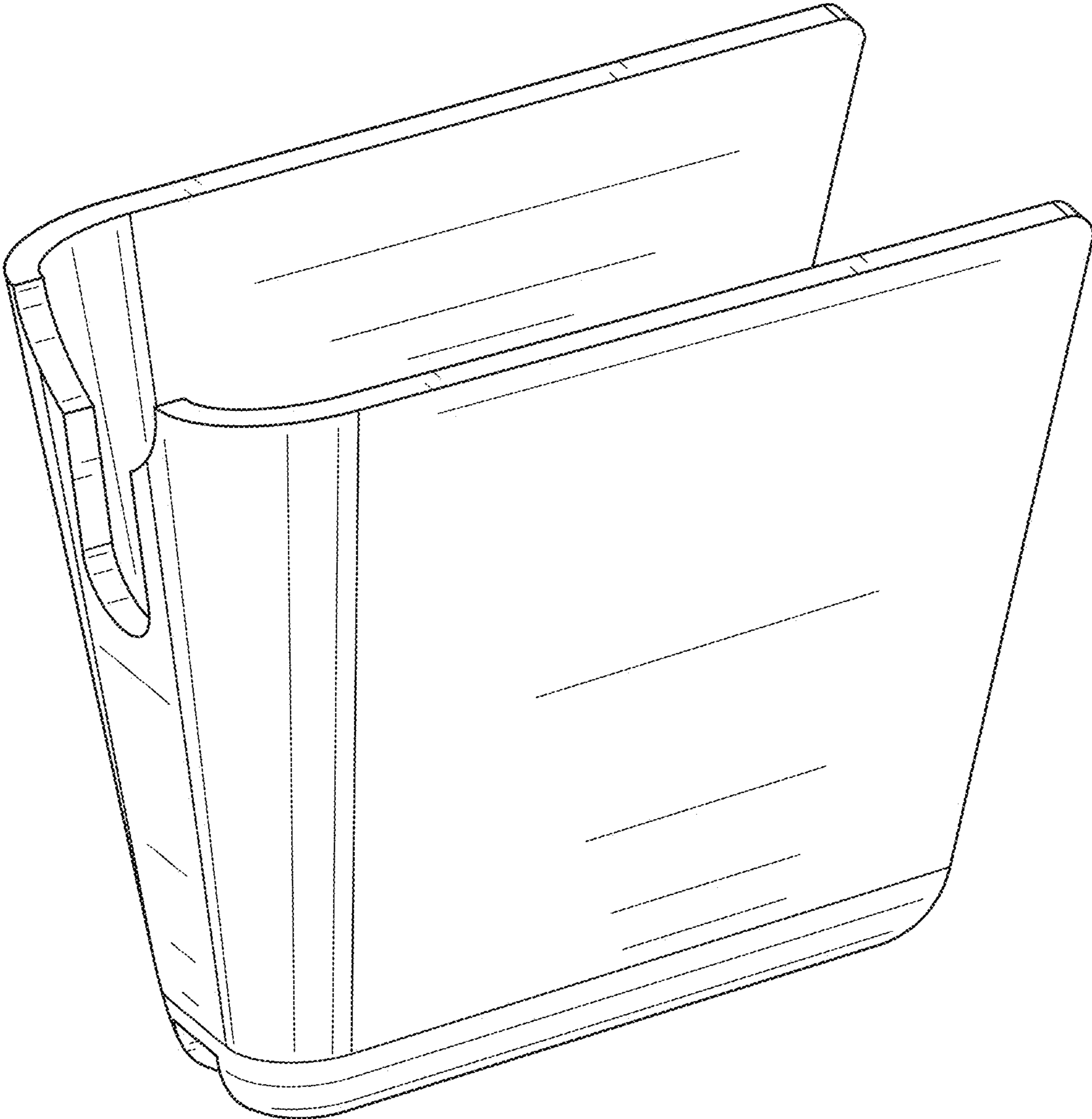


FIG. 1

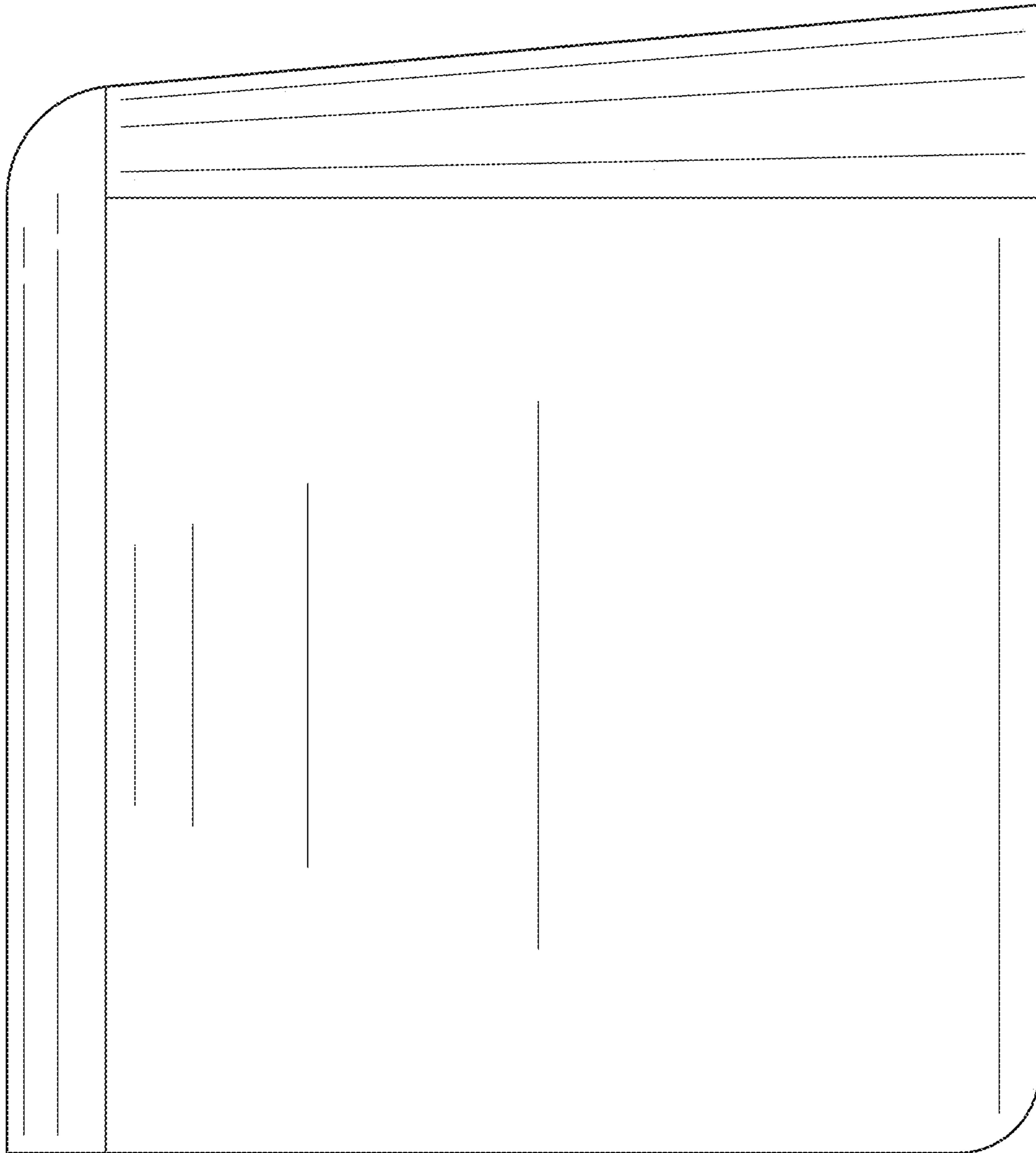


FIG. 2

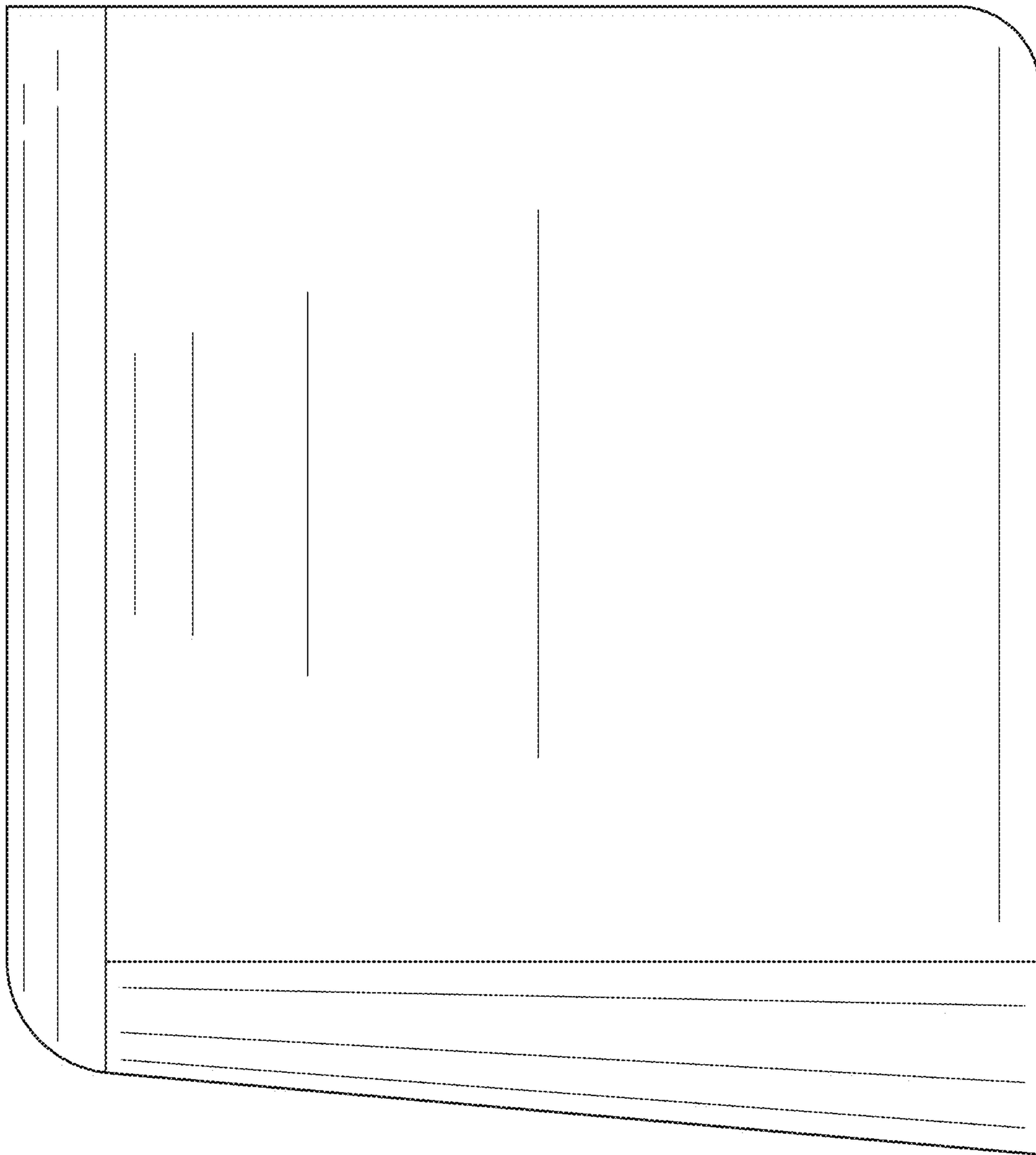


FIG. 3

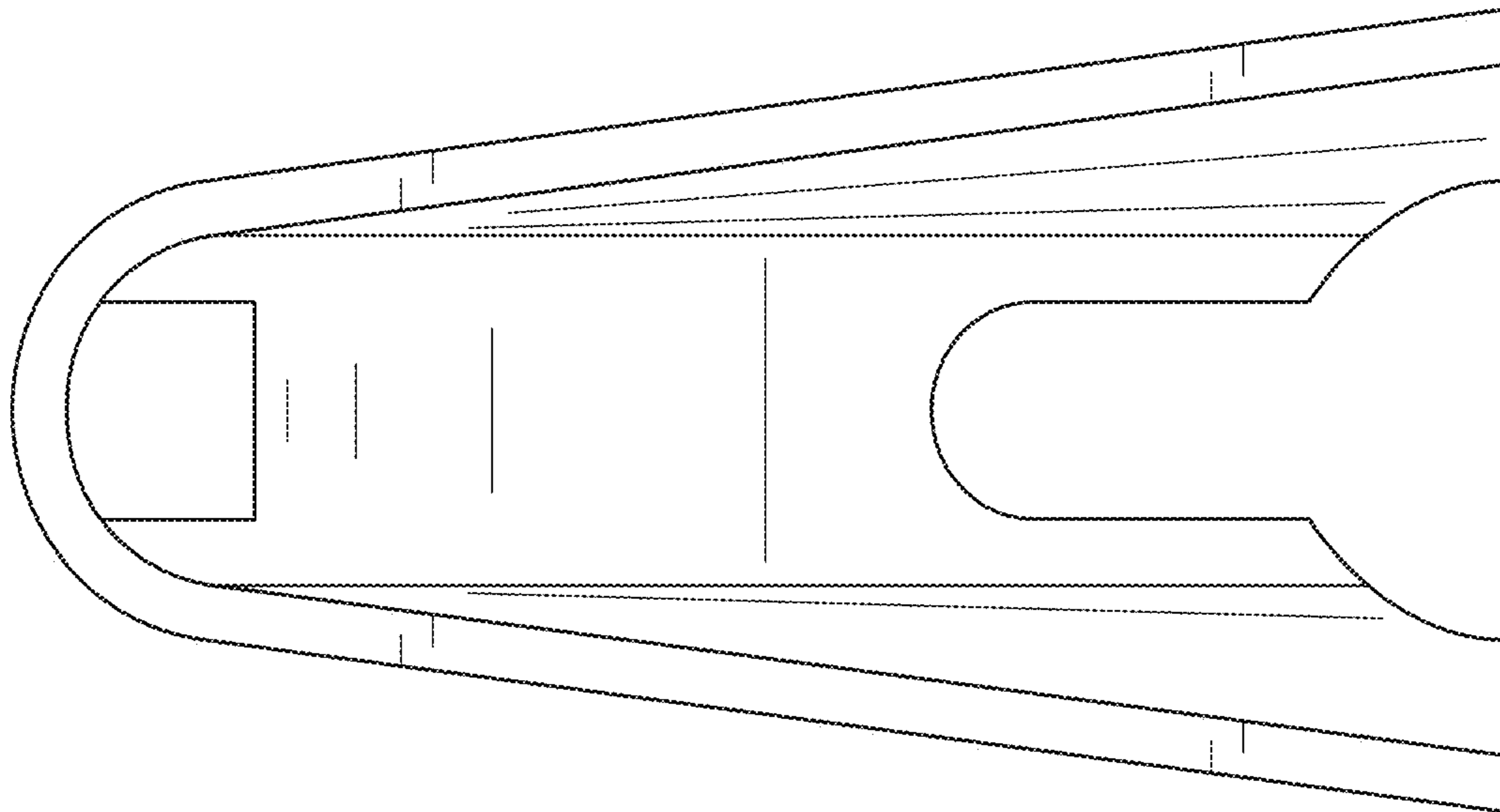


FIG. 4

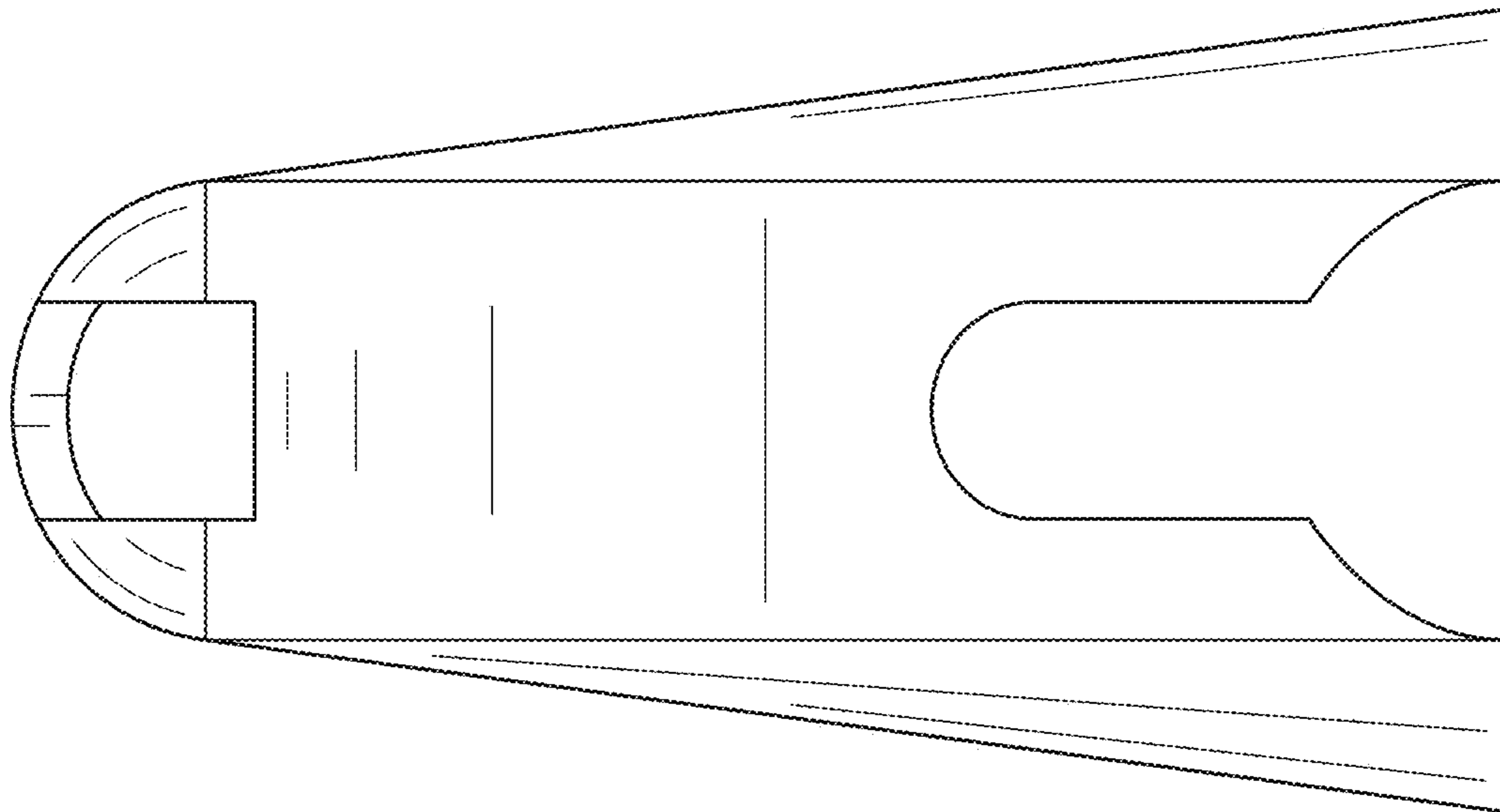


FIG. 5

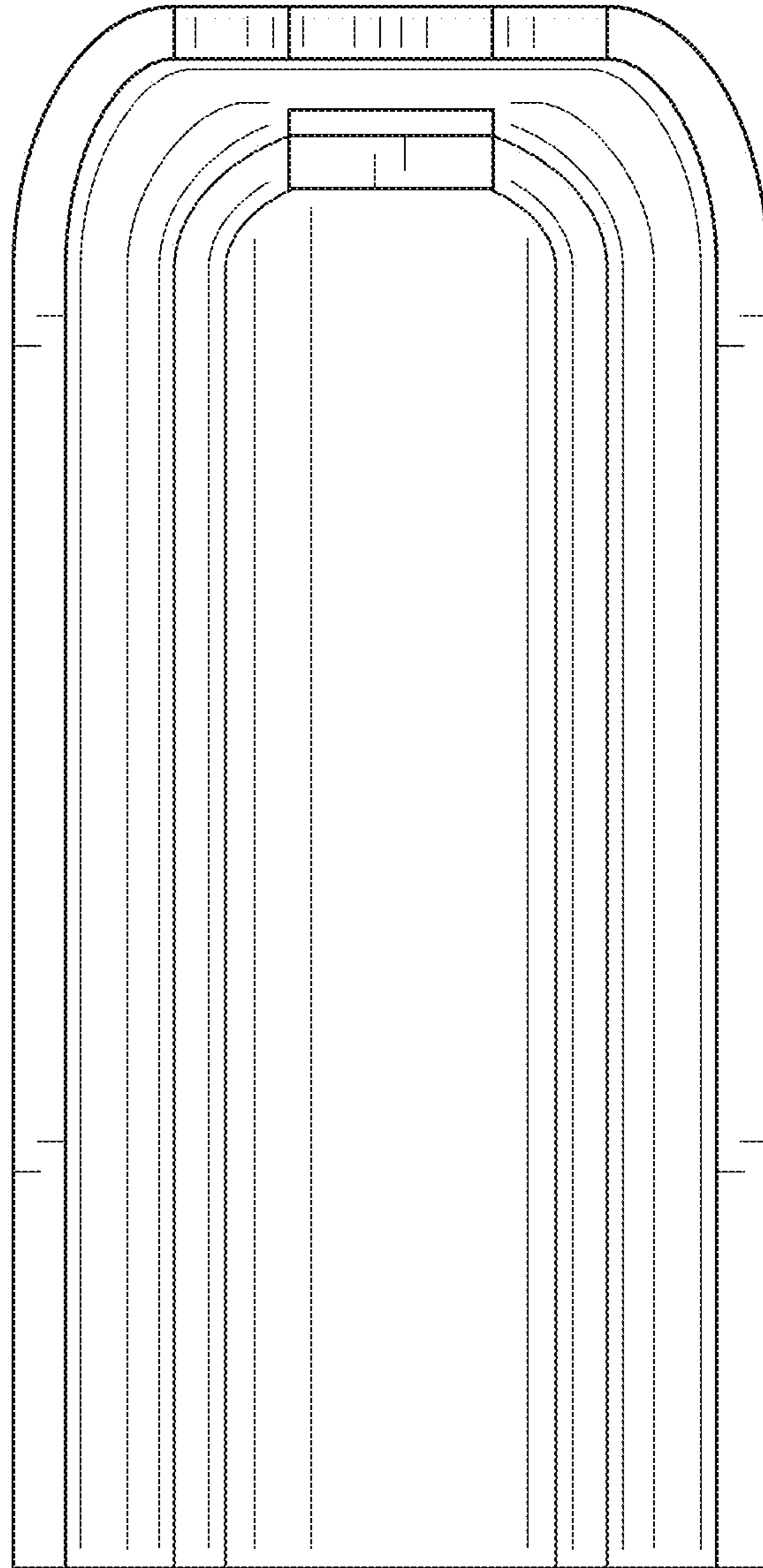


FIG. 6

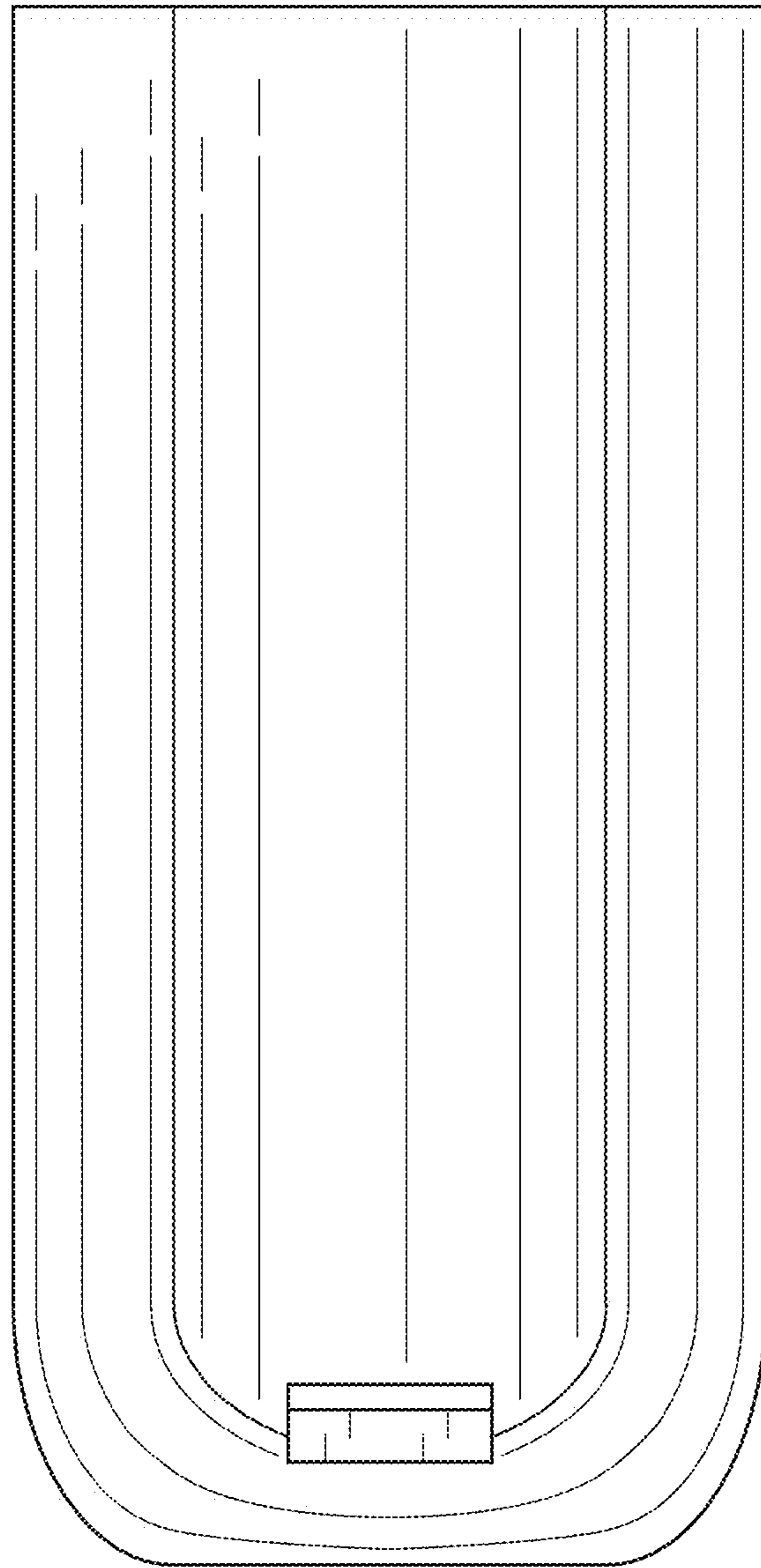


FIG. 7

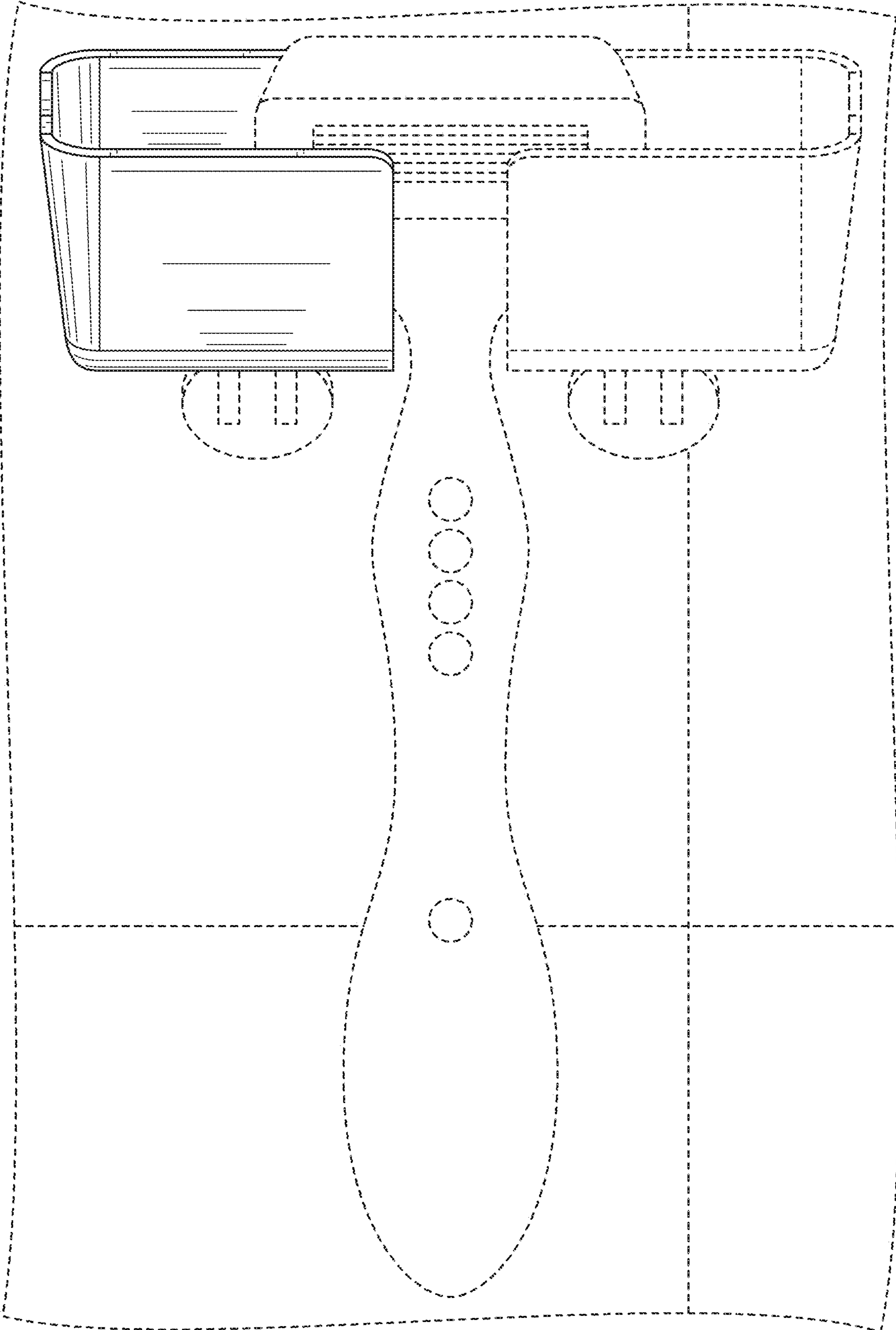


FIG. 8