



US00D968840S

(12) **United States Design Patent**
Zhu

(10) **Patent No.:** **US D968,840 S**

(45) **Date of Patent:** **** Nov. 8, 2022**

(54) **BATHROOM BASKET**

(71) Applicant: **Fang Zhu**, Xinyang (CN)

(72) Inventor: **Fang Zhu**, Xinyang (CN)

(**) Term: **15 Years**

(21) Appl. No.: **29/831,187**

(22) Filed: **Mar. 17, 2022**

(51) **LOC (13) Cl.** **23-02**

(52) **U.S. Cl.**

USPC **D6/525**

(58) **Field of Classification Search**

USPC D6/524-525, 566, 536, 540, 567, 570;
211/13.1, 74, 71.01, 86.01, 75, 88.01,
211/90.01, 90.03, 106, 119, 126.1, 133.5,
211/181.1, 134

CPC A47K 3/281; A47K 3/28; A47B 45/00;
A47B 96/025; A47F 5/0093

See application file for complete search history.

(56) **References Cited**

U.S. PATENT DOCUMENTS

- D315,840 S * 4/1991 Emery D6/525
- D446,670 S * 8/2001 Emery D6/525
- D473,411 S * 4/2003 Walker D6/525
- D477,947 S * 8/2003 Snell A47K 3/281
D6/525
- D479,073 S * 9/2003 Snell A47K 3/281
D6/525
- D479,074 S * 9/2003 Snell A47K 3/281
D6/525
- D564,271 S * 3/2008 Snider A47K 3/281
D6/525
- D564,816 S * 3/2008 Snider A47K 3/281
D6/525
- D566,439 S * 4/2008 Dretzka A47K 3/281
D6/525
- D568,657 S * 5/2008 Snider A47K 3/281
D6/525

- D572,061 S * 7/2008 Snider A47K 3/281
D6/525
- D572,062 S * 7/2008 Snider A47K 3/281
D6/525
- D575,087 S * 8/2008 Ghiorghie A47K 3/281
D6/525
- D603,198 S * 11/2009 Guindi A47K 3/281
D6/525
- D612,648 S 3/2010 Guindi
- D628,000 S * 11/2010 Lindo A47K 3/281
D6/525
- D630,035 S * 1/2011 Snider A47K 3/281
D6/525
- D632,513 S * 2/2011 Cittadino A47K 3/281
D6/525
- D647,747 S * 11/2011 Guindi D6/525
- D677,089 S * 3/2013 Tawil D6/525

(Continued)

OTHER PUBLICATIONS

Amazon.com, Epicano Anti-Swing Hanging Shower Caddy, Sep. 20, 2021, <https://www.amazon.com/Epicano-Anti-Swing-Hanging-Shower-Rustproof/dp/B09GPDZYZD/> (Year: 2021).*

Primary Examiner — Nathan M Johnston

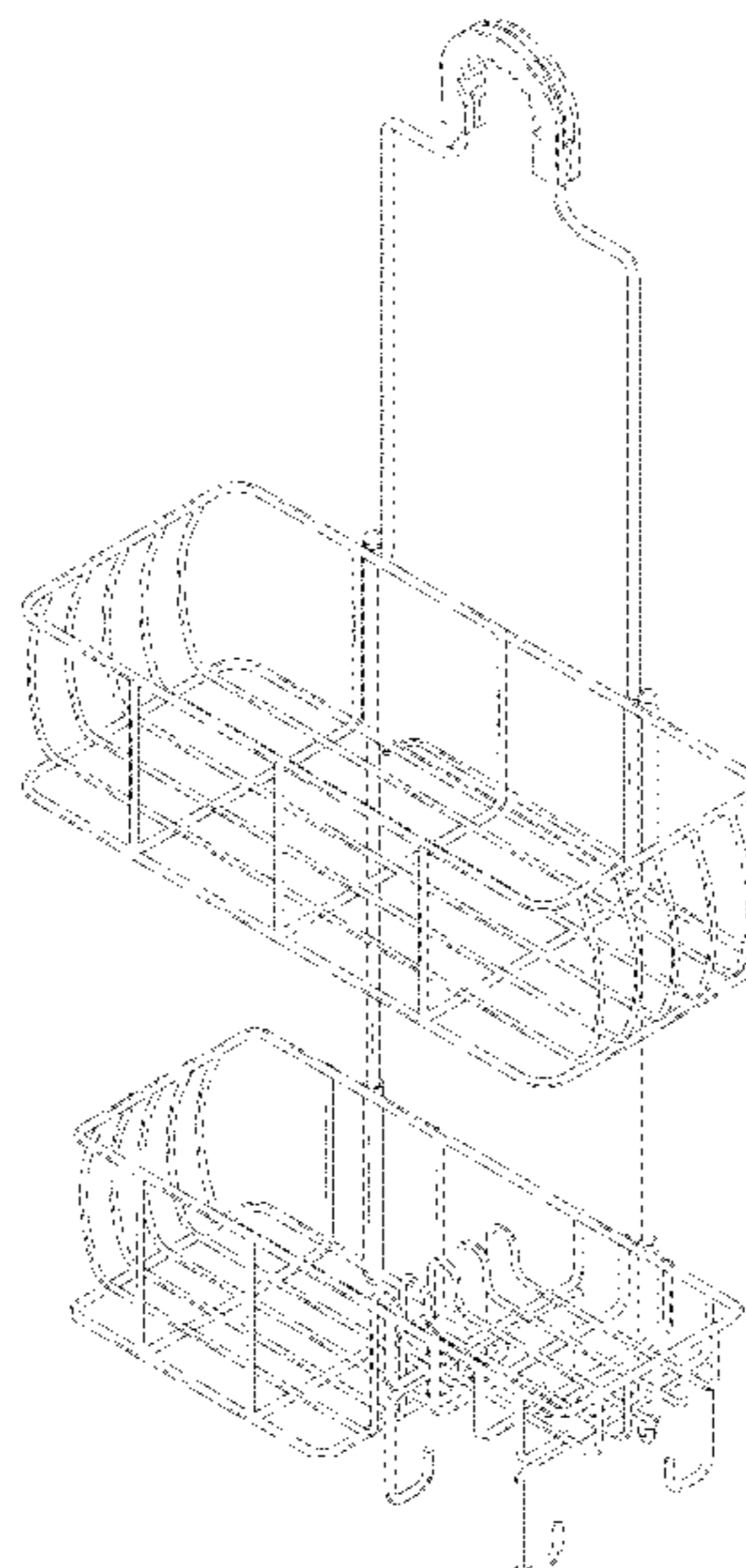
(57) **CLAIM**

The ornamental design for bathroom basket, substantially as shown and described.

DESCRIPTION

FIG. 1 is a front perspective view of bathroom basket, showing my new design;
FIG. 2 is a front view thereof;
FIG. 3 is a rear view thereof;
FIG. 4 is a right side view thereof;
FIG. 5 is a left side view thereof;
FIG. 6 is a bottom view thereof; and,
FIG. 7 is a top view thereof.

1 Claim, 7 Drawing Sheets



(56)

References Cited

U.S. PATENT DOCUMENTS

| | | | |
|-------------------|---------|--------------|------------|
| D714,571 S * | 10/2014 | Walker | D6/525 |
| D718,071 S * | 11/2014 | Snider | D6/525 |
| D718,554 S * | 12/2014 | Snider | D6/525 |
| D723,834 S * | 3/2015 | Tawil | D6/525 |
| D728,260 S * | 5/2015 | Snider | D6/525 |
| D769,017 S * | 10/2016 | Tsai | D6/525 |
| 2017/0215653 A1 * | 8/2017 | Engell | A47K 3/281 |

* cited by examiner

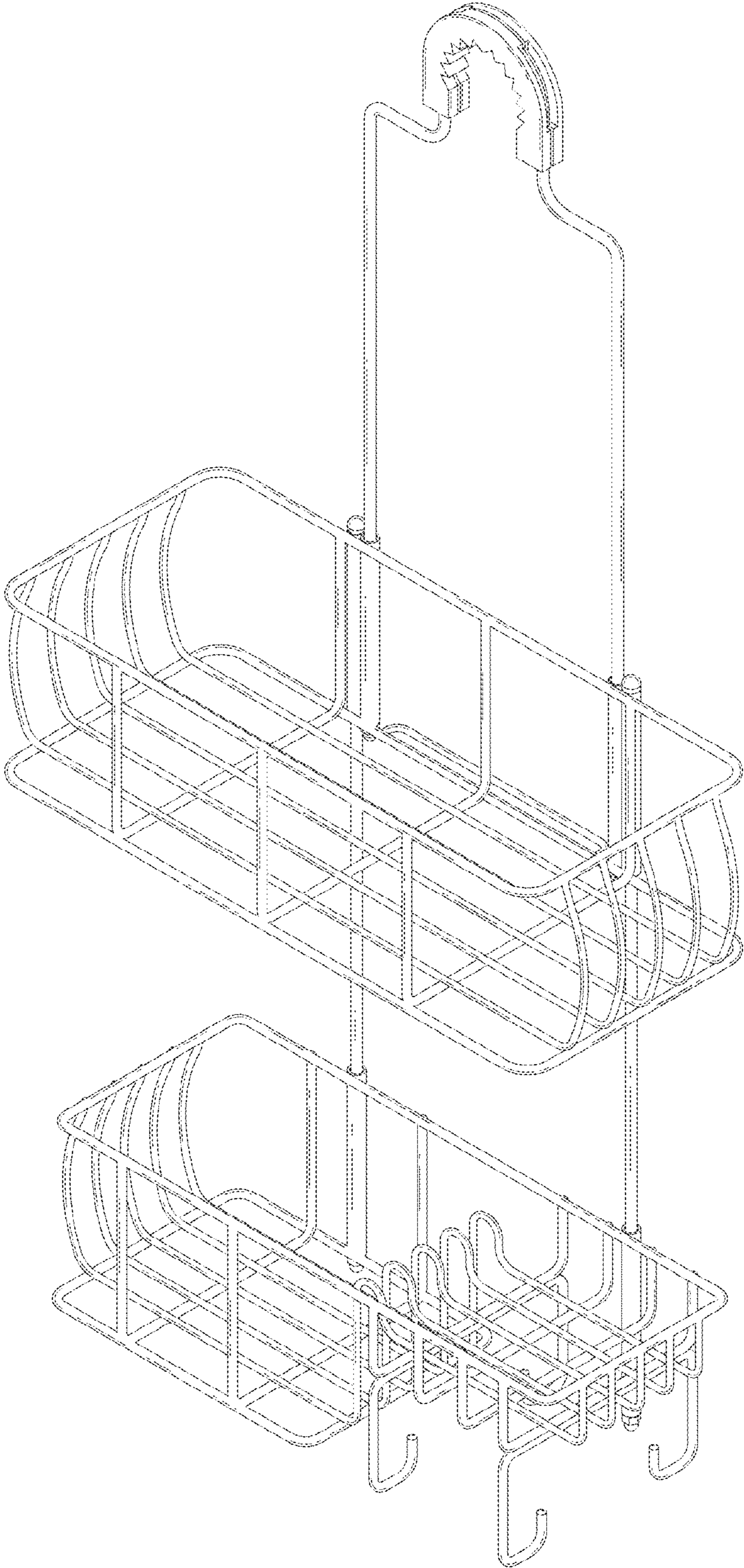


FIG. 1

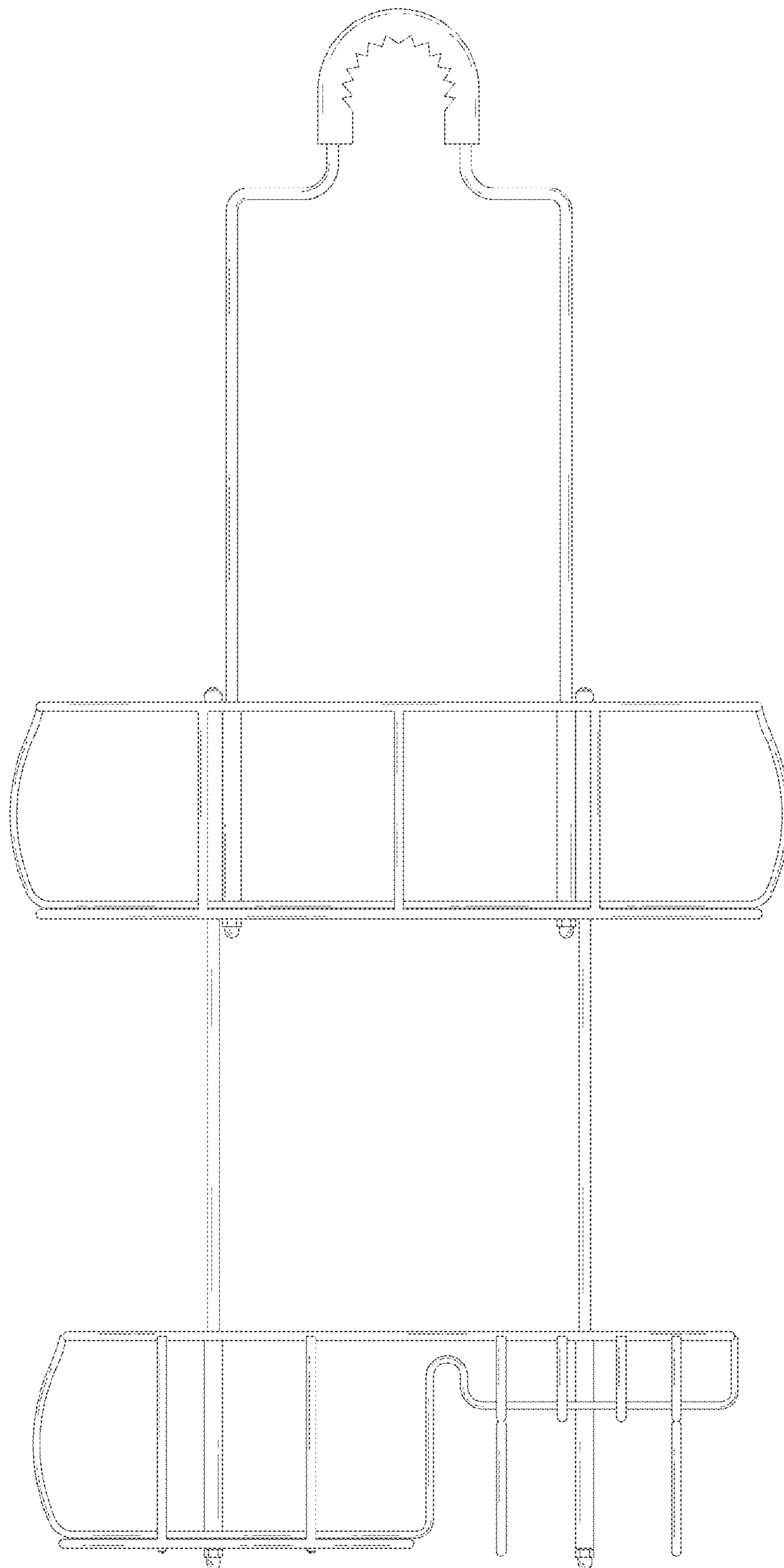


FIG. 2

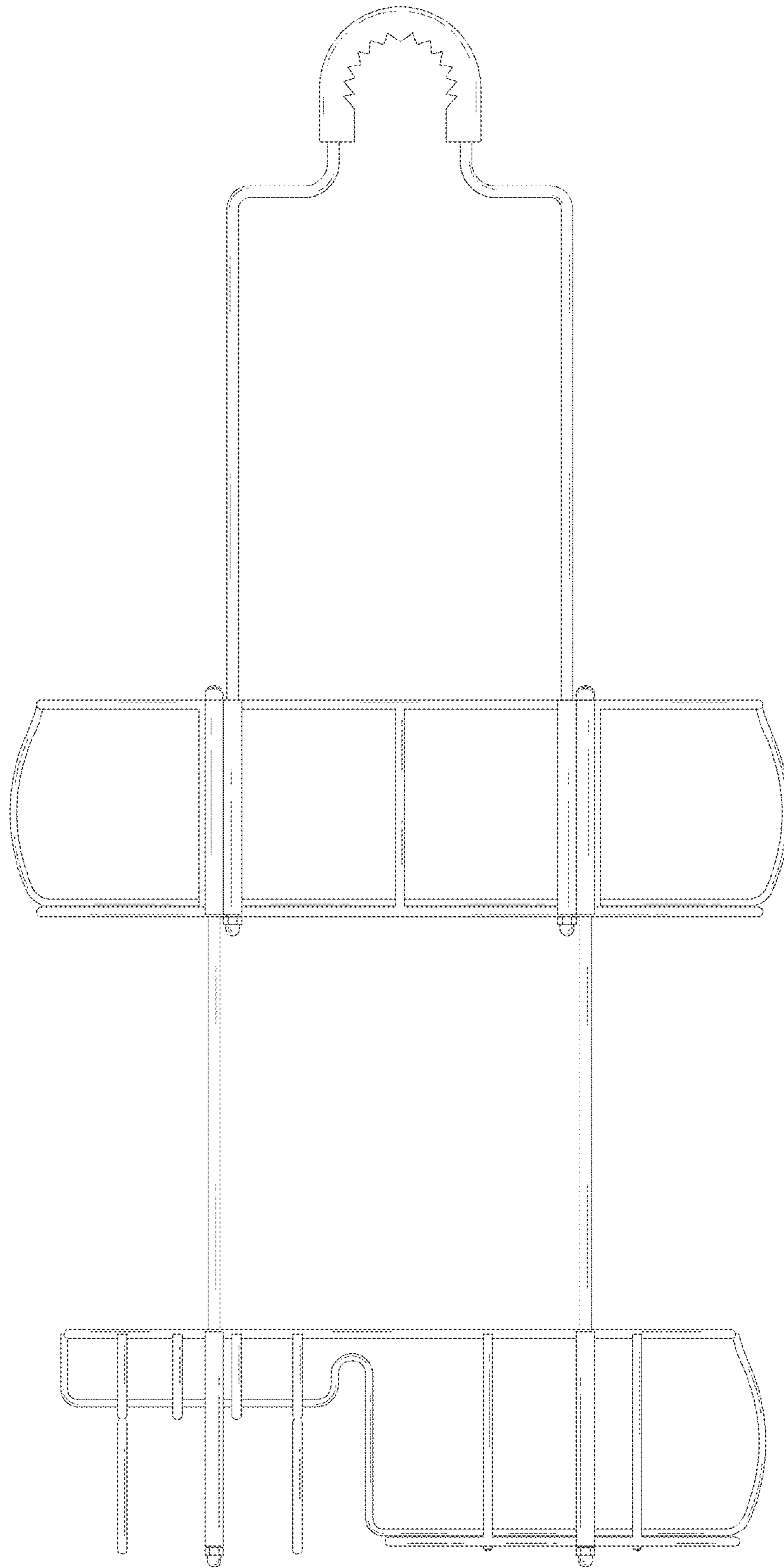


FIG. 3

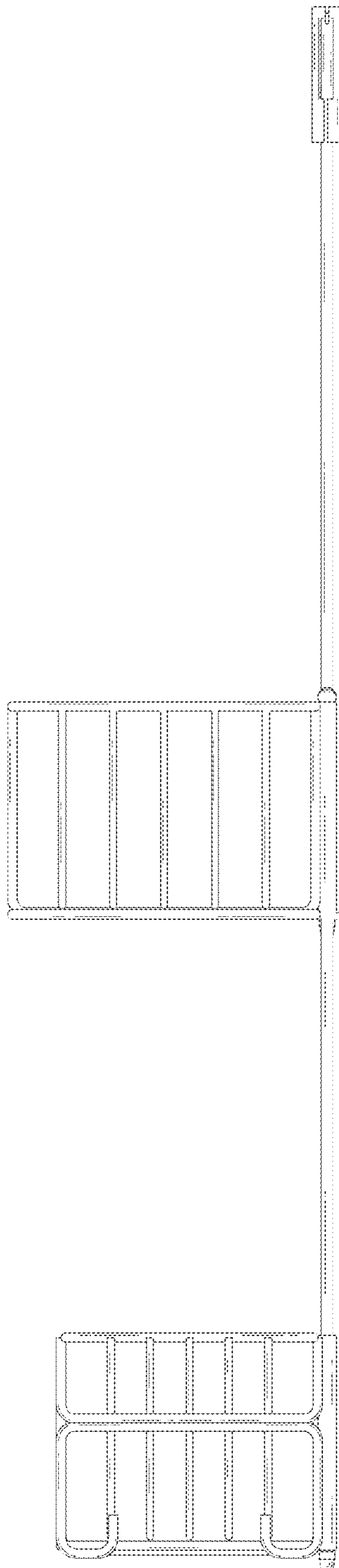


FIG. 4

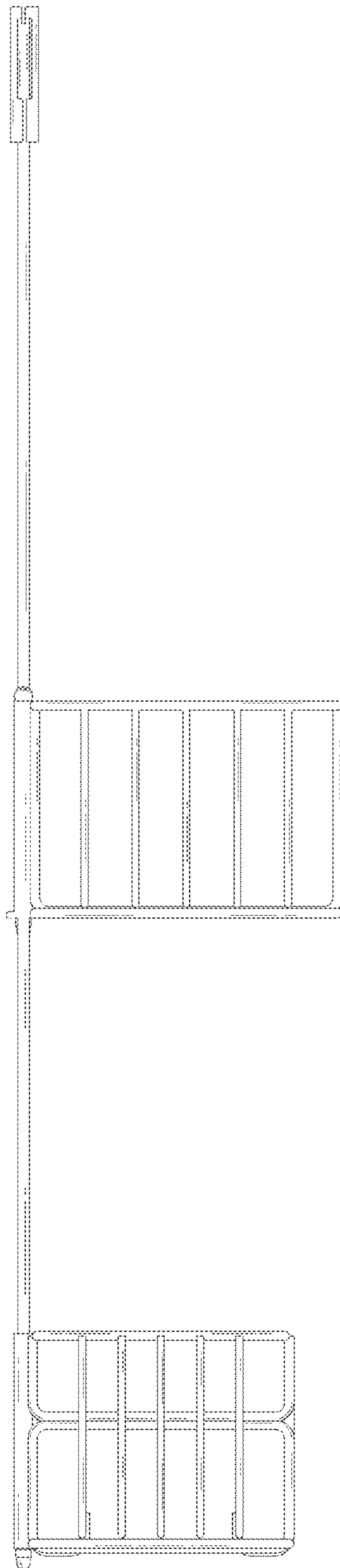


FIG. 5

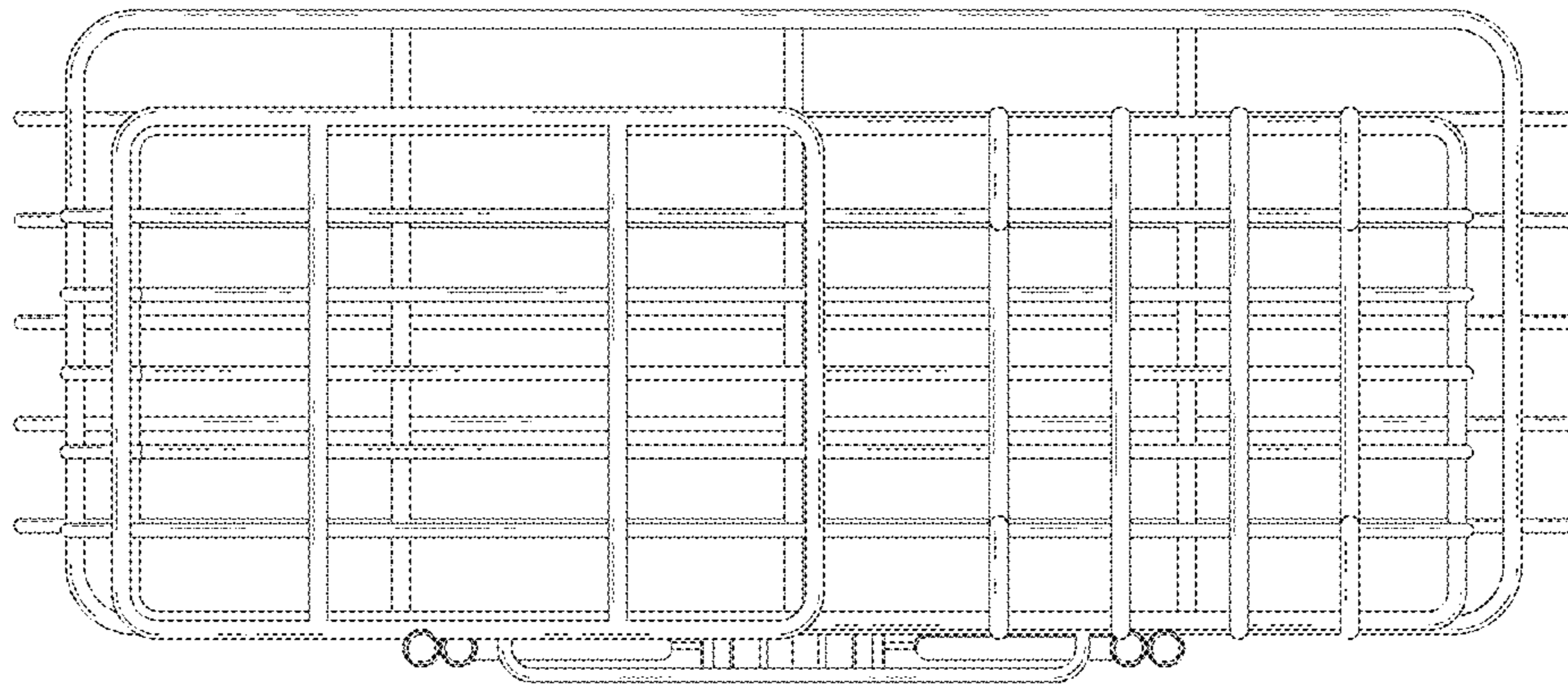


FIG. 6

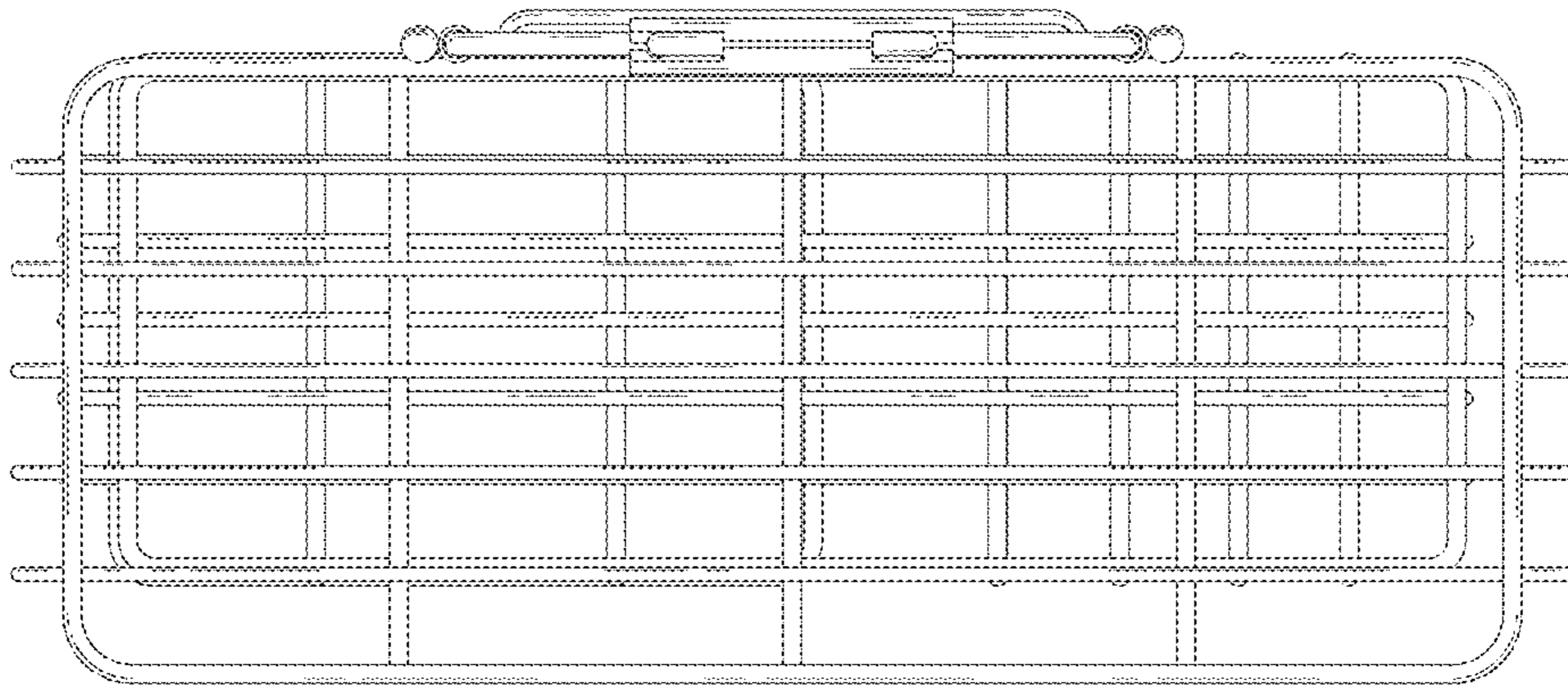


FIG. 7