

US00D968839S

(12) **United States Design Patent** (10) **Patent No.:** **US D968,839 S**
Elliott (45) **Date of Patent:** **** Nov. 8, 2022**

(54) **SUCTION CUP BASKET**
(71) Applicant: **Kenney Manufacturing Company**,
Warwick, RI (US)
(72) Inventor: **Timothy Elliott**, Attleboro, MA (US)
(73) Assignee: **Kenney Manufacturing Company**,
Warwick, RI (US)
(**) Term: **15 Years**
(21) Appl. No.: **29/754,030**
(22) Filed: **Oct. 6, 2020**
(51) **LOC (13) Cl.** **06-04**
(52) **U.S. Cl.**
USPC **D6/525; D32/55**
(58) **Field of Classification Search**
USPC D3/901, 304, 314; D6/524-531, 553,
D6/574, 567, 532, 536, 540; D8/71, 373;
D19/75, 102, 77, 21, 22, 23; D28/73, 77;
D32/55, 58; 206/209, 361, 369;
248/110; 211/65, 119.009
CPC A47K 1/08; A47K 1/09; A47K 5/18
See application file for complete search history.

D566,919 S * 4/2008 Snell D32/55
D642,841 S * 8/2011 Dretzka D6/553
D867,015 S * 11/2019 Ghiorghie D6/525
D902,592 S * 11/2020 Kim D3/304

FOREIGN PATENT DOCUMENTS

CA 133177 * 7/2012

OTHER PUBLICATIONS

Suction Cup Bathroom Storage Basket Caddy. Big Lots (online) 2 pgs. Available 2021. [Retrieved Jun. 24, 2022] <https://www.biglots.com/product/suction-cup-bathroom-storage-basket-caddy/p810504141> (Year: 2021).*

* cited by examiner

Primary Examiner — Lauren D McVey
Assistant Examiner — Jennifer Sierra Yosinski
(74) *Attorney, Agent, or Firm* — Adler Pollock & Sheehan P.C

(57) **CLAIM**

The ornamental design for a suction cup basket, as shown and described.

DESCRIPTION

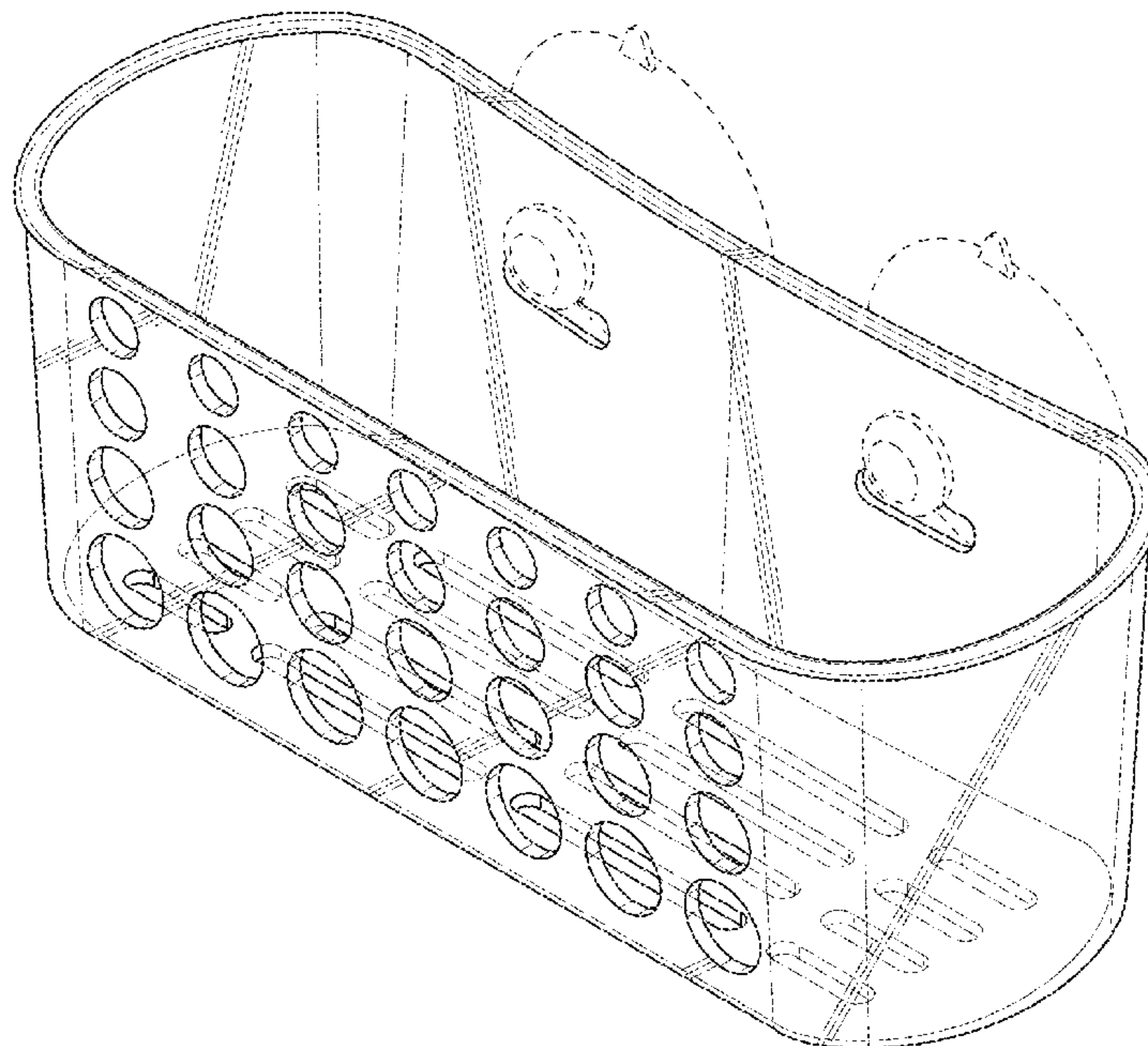
FIG. 1 is a perspective view of the suction cup basket according to my new design;
FIG. 2 is a top view thereof;
FIG. 3 is a bottom view thereof;
FIG. 4 is a front view thereof;
FIG. 5 is a back view thereof;
FIG. 6 is a side view thereof; and,
FIG. 7 is an opposite side view thereof.
The broken lines shown in the drawings depict portions of the suction cup basket that form no part of the claimed design.

1 Claim, 7 Drawing Sheets

(56) **References Cited**

U.S. PATENT DOCUMENTS

D347,512 S * 5/1994 Yoshikawa D34/1
D362,780 S * 10/1995 Hampshire D6/567
D379,891 S * 6/1997 Hampshire D6/525
D483,587 S * 12/2003 Snell D6/525
D487,845 S * 3/2004 Johansson D3/304
D512,255 S * 12/2005 Snell D6/567
D532,235 S * 11/2006 Snell D6/567
D534,024 S * 12/2006 Dretzka D6/567
D564,229 S * 3/2008 Splain D3/304



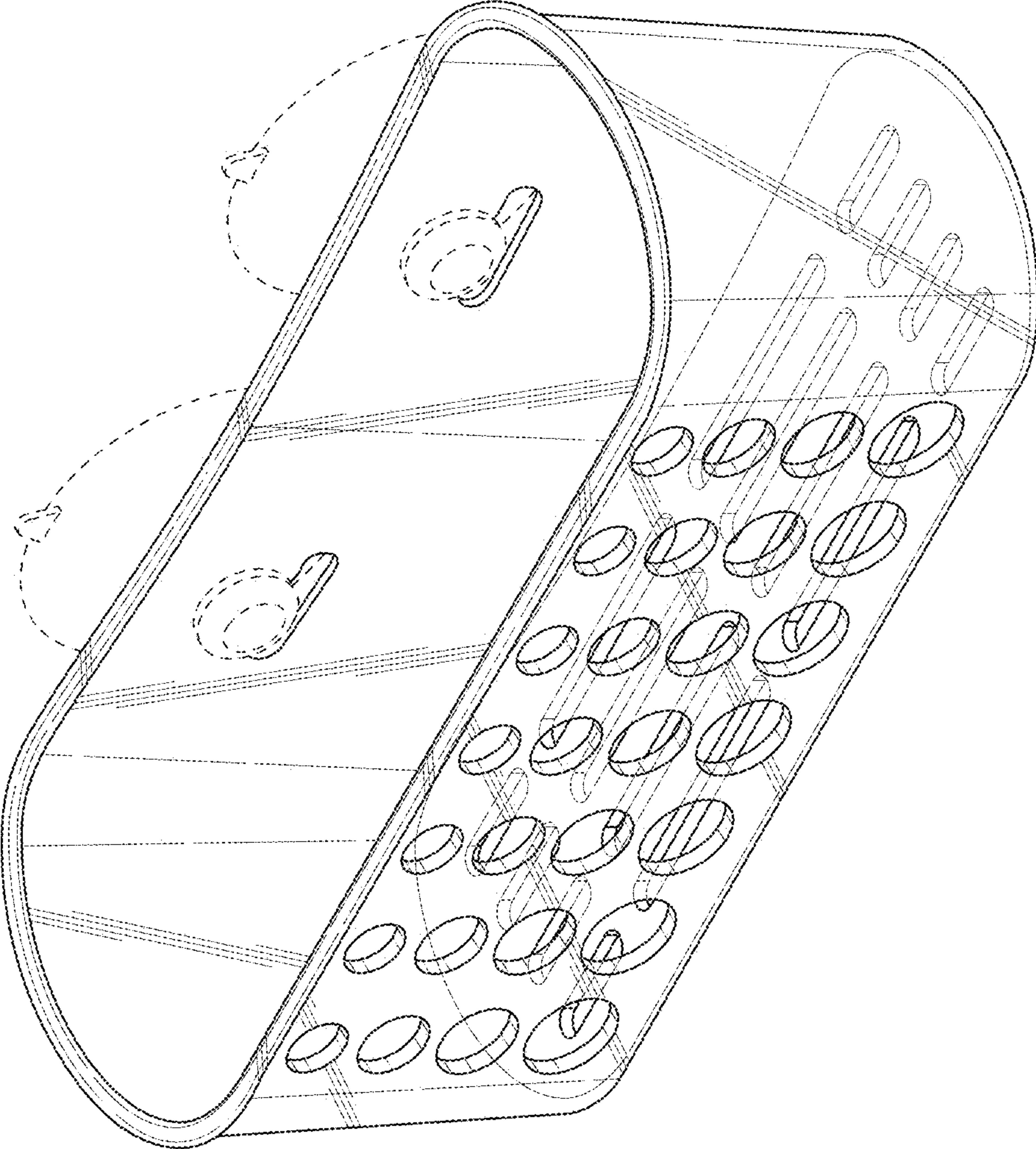


FIG. 1

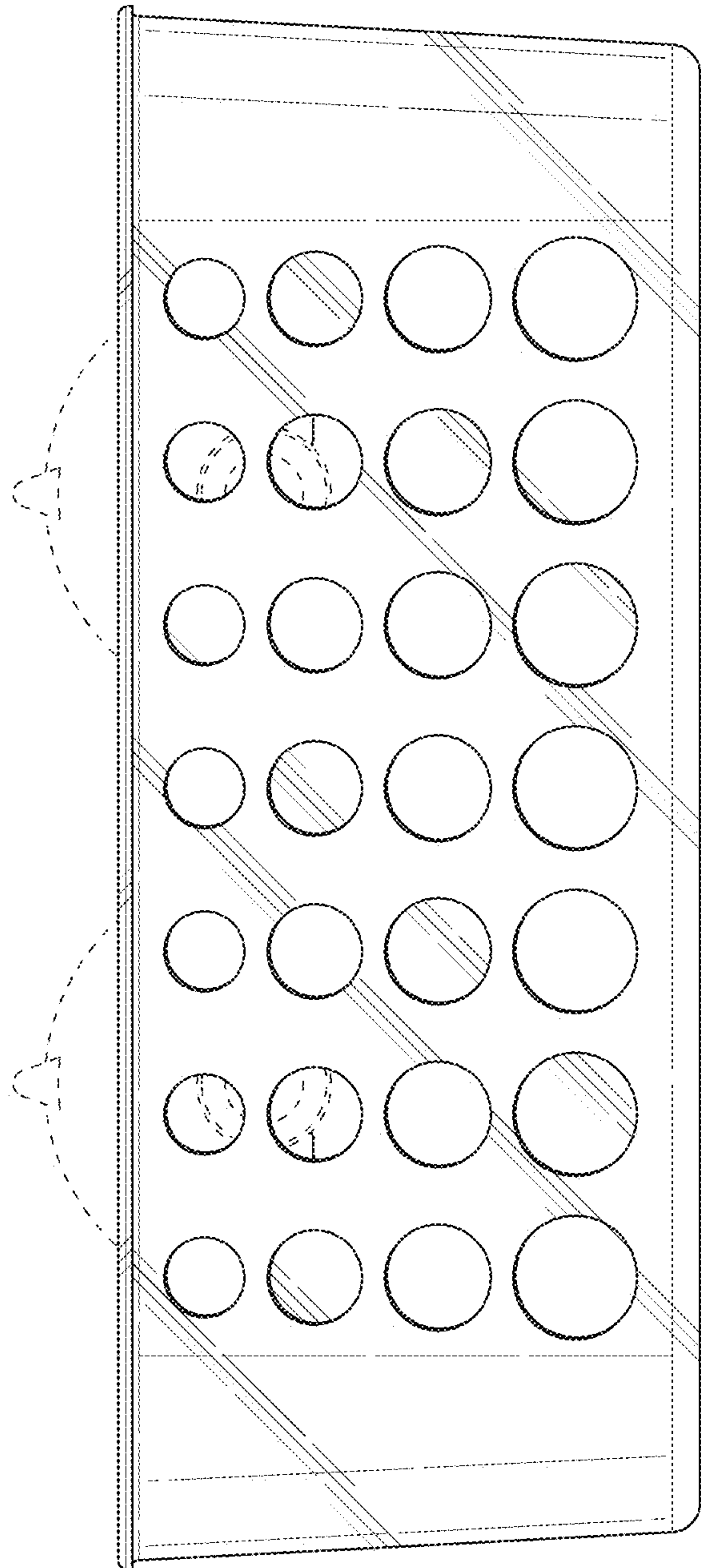


FIG. 2

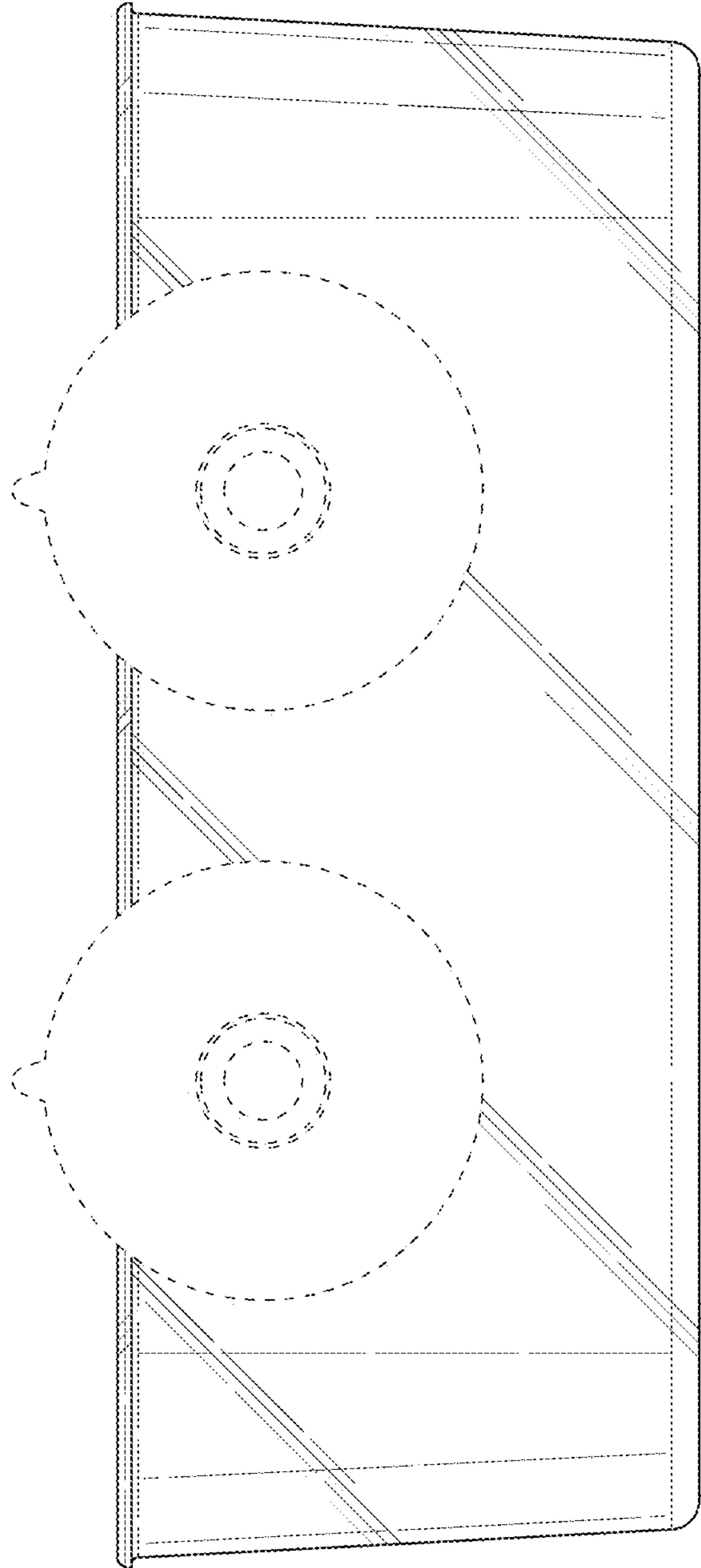


FIG. 3

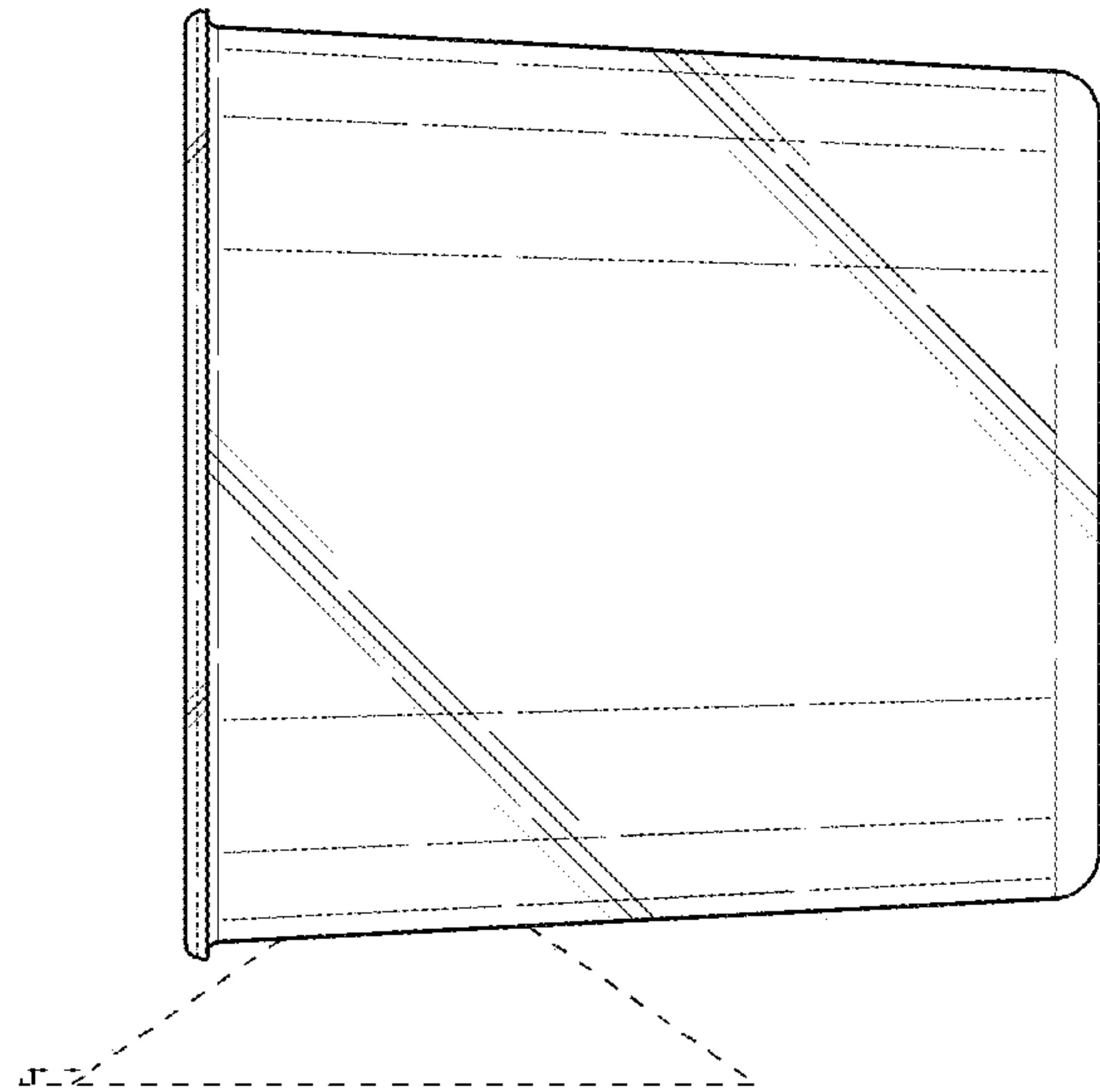


FIG. 4

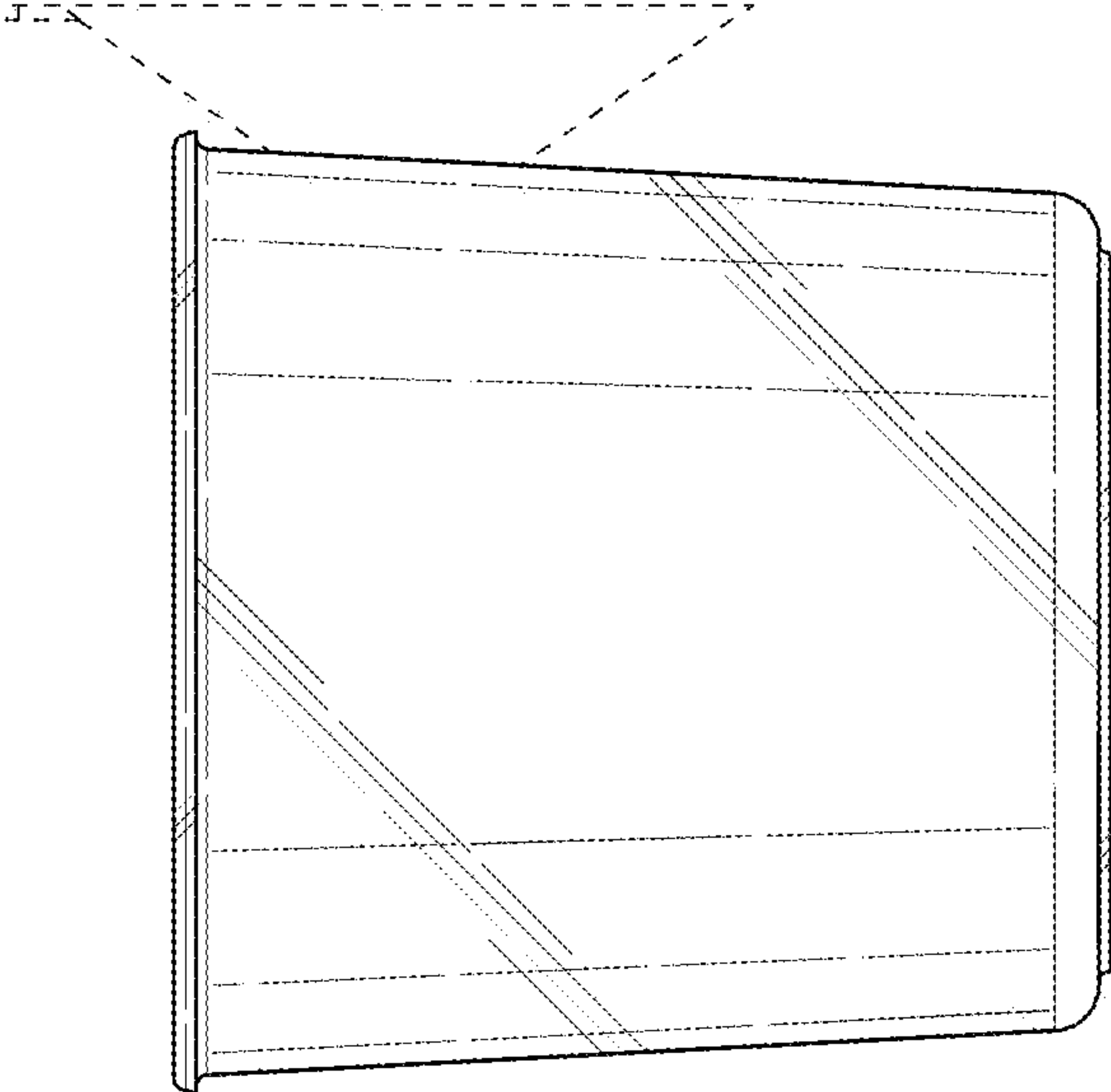


FIG. 5

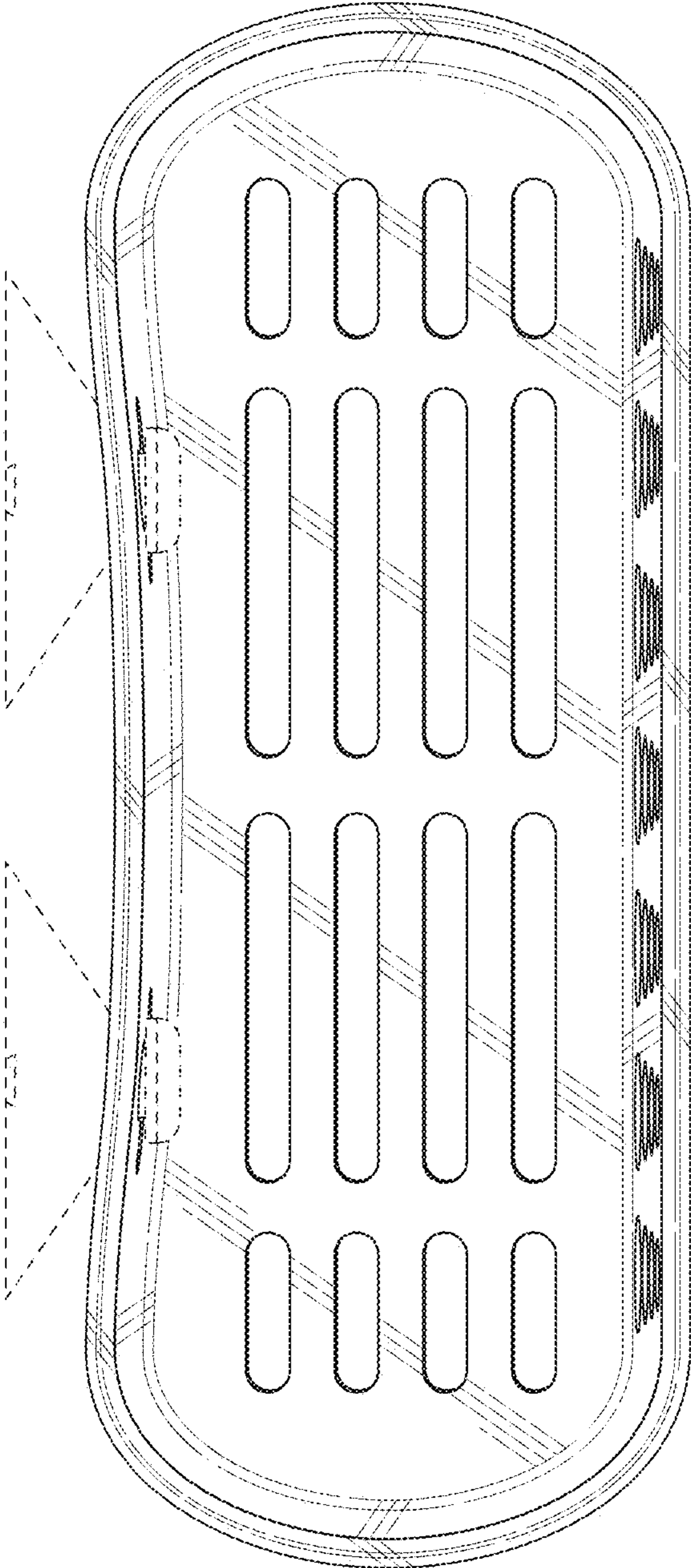


FIG. 6

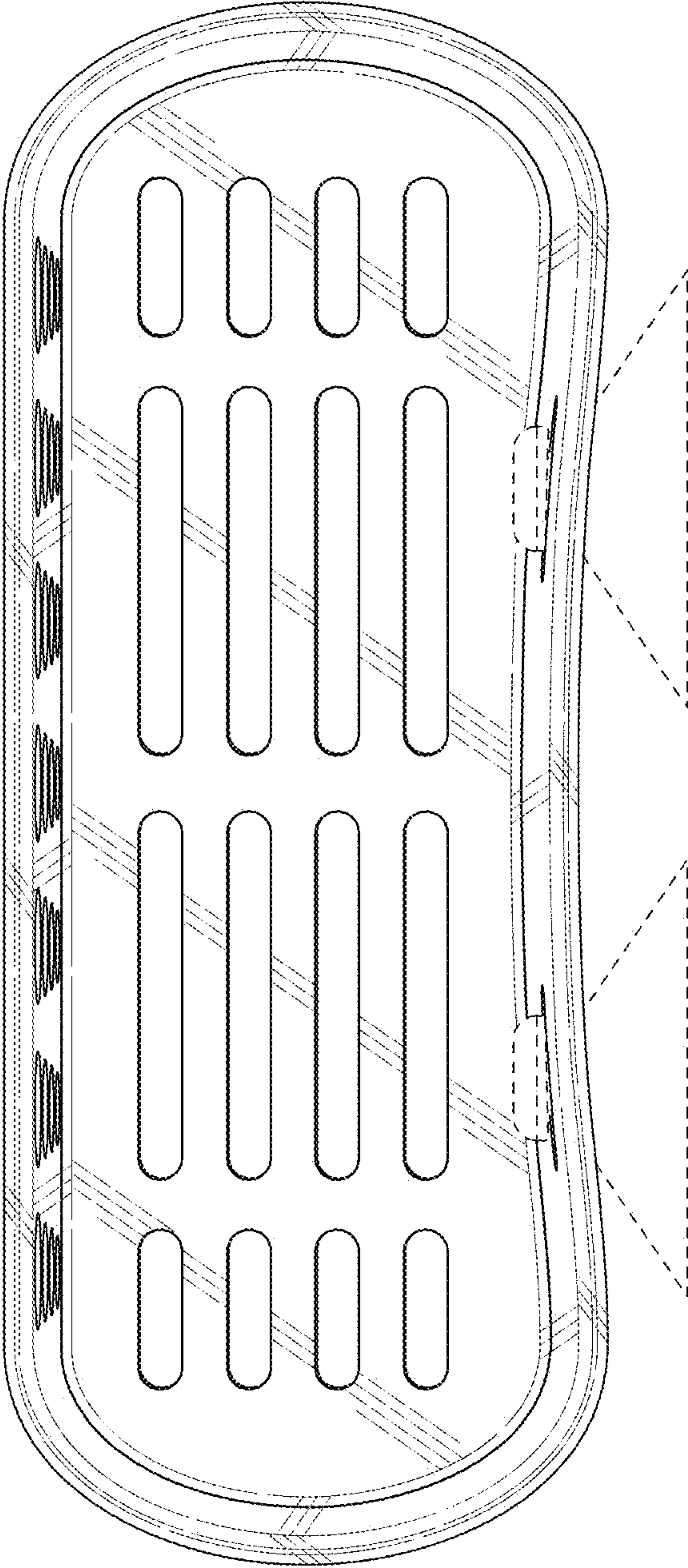


FIG. 7