



US00D968837S

(12) **United States Design Patent**
Niasoff et al.

(10) **Patent No.:** **US D968,837 S**
(45) **Date of Patent:** **** Nov. 8, 2022**

(54) **CONVERTIBLE BED AND SUITCASE**

(71) Applicant: **Milliard Enterprises Limited Liability Company**, Lakewood, NJ (US)

(72) Inventors: **Tzipora Niasoff**, Lakewood, NJ (US);
Rivka Jeidel, Lakewood, NJ (US)

(**) Term: **15 Years**

(21) Appl. No.: **29/761,304**

(22) Filed: **Dec. 8, 2020**

Related U.S. Application Data

(63) Continuation-in-part of application No. 16/385,826,
filed on Apr. 16, 2019.

(51) **LOC (13) Cl.** **06-02**

(52) **U.S. Cl.**
USPC **D6/383**

(58) **Field of Classification Search**
USPC D6/382, 383, 384, 390, 391, 392, 393,
D6/595; D3/272, 273, 274, 289, 294,
D3/299, 303; D21/520
CPC A47C 17/64; A47C 17/70; A47C 17/74;
A47C 19/12; A47C 19/005; A47C 9/005;
A47D 7/002

See application file for complete search history.

(56) **References Cited**

U.S. PATENT DOCUMENTS

961,331 A * 6/1910 Young A63H 3/005
446/73
D159,600 S * 8/1950 Chilson D6/392
2,626,407 A * 1/1953 Kurry A47D 15/003
5/655

(Continued)

OTHER PUBLICATIONS

“Recocore: Mobile Home for Pets—Bed Converts to Backpack.”
Found online Jul. 13, 2022 at www.kickstarter.com. Project launched

Jul. 14, 2021. Retrieved from URL: <https://www.kickstarter.com/projects/recocore/recocore-mobile-home-for-pets-comfy-bed-converts-to-backpack/posts> (Year: 2021).*

Primary Examiner — Mary Ann Calabrese
Assistant Examiner — Katelin G Kloberg
(74) *Attorney, Agent, or Firm* — The Van Winkle Law Firm; William G. Heedy

(57) **CLAIM**

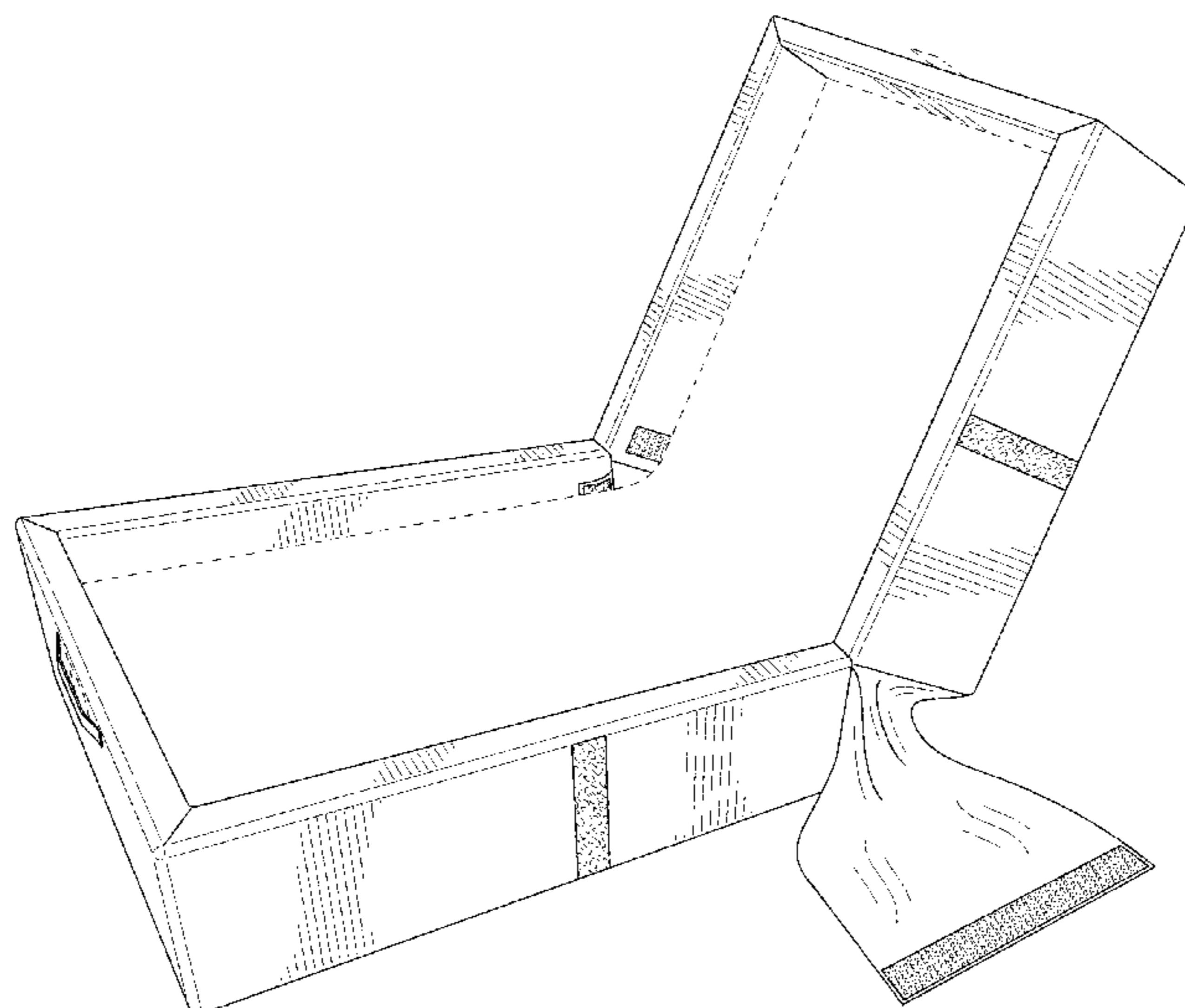
The ornamental design for a convertible bed and suitcase, as shown and described.

DESCRIPTION

FIG. 1 is a perspective view of the convertible bed and suitcase, shown in a closed configuration; FIG. 2 is a front elevational view thereof; FIG. 3 is a rear elevational view thereof; FIG. 4 is a right side elevational view thereof; FIG. 5 is a left side elevational view thereof; FIG. 6 is a top plan view thereof; FIG. 7 is a bottom plan view thereof; FIG. 8 is a perspective view of the convertible bed and suitcase, shown in a partially open configuration; FIG. 9 is a perspective view of the convertible bed and suitcase, shown in an open configuration; FIG. 10 is front elevational view thereof; FIG. 11 is a rear elevational view thereof; FIG. 12 is a right side elevational view thereof; FIG. 13 is a left side elevational view thereof; FIG. 14 is a top plan view thereof; and, FIG. 15 is a bottom plan view thereof.

In the drawings, the broken lines depicting a handle wrap are showing portions of the article that form no part of the claimed design. In FIGS. 1-3 and 11, the broken lines on the exterior of the article, not associated with the handle wrap, depict stitching. In FIGS. 8-10, the broken lines on the interior of the article depict boundaries that form no part of the claimed design.

1 Claim, 13 Drawing Sheets



(56)

References Cited

U.S. PATENT DOCUMENTS

2,672,628 A * 3/1954 Spanel A47D 15/001
5/705
4,742,900 A * 5/1988 Boxhammer A47C 17/82
5/503.1
4,999,863 A * 3/1991 Kane A47D 15/003
5/98.1
5,115,524 A * 5/1992 Antosko A47D 9/005
229/117.17
5,611,414 A * 3/1997 Walker A47C 17/82
5/722
5,813,558 A * 9/1998 Burke A45C 9/00
190/110
D404,213 S * 1/1999 Gursky D6/392
D413,037 S * 8/1999 Bellington D6/601
6,026,525 A * 2/2000 Davis A47D 15/001
5/655
D444,948 S * 7/2001 Buchanan D3/276

D490,122 S * 5/2004 Box D21/520
D502,811 S * 3/2005 Premper D3/273
6,951,035 B2 * 10/2005 Kinchen A47G 33/00
5/655.9
D602,253 S * 10/2009 Rees D3/289
D636,622 S * 4/2011 Quinter D6/595
8,875,854 B2 * 11/2014 Zuckerman A45C 9/00
5/116
9,107,519 B2 * 8/2015 Clark A47G 9/083
9,901,164 B2 * 2/2018 Houston A45C 9/00
D814,310 S * 4/2018 Volpe D21/520
D867,781 S * 11/2019 Jeidel D3/274
11,044,973 B1 * 6/2021 Easterwood A47G 9/10
D936,996 S * 11/2021 Van Staveren D6/391
11,213,141 B2 * 1/2022 Matsumoto A47D 7/002
2016/0037884 A1 * 2/2016 Teodorescu A47D 9/00
190/2
2017/0071355 A1 * 3/2017 Oh A47C 17/82
2019/0320815 A1 * 10/2019 Jeidel A45C 9/00

* cited by examiner

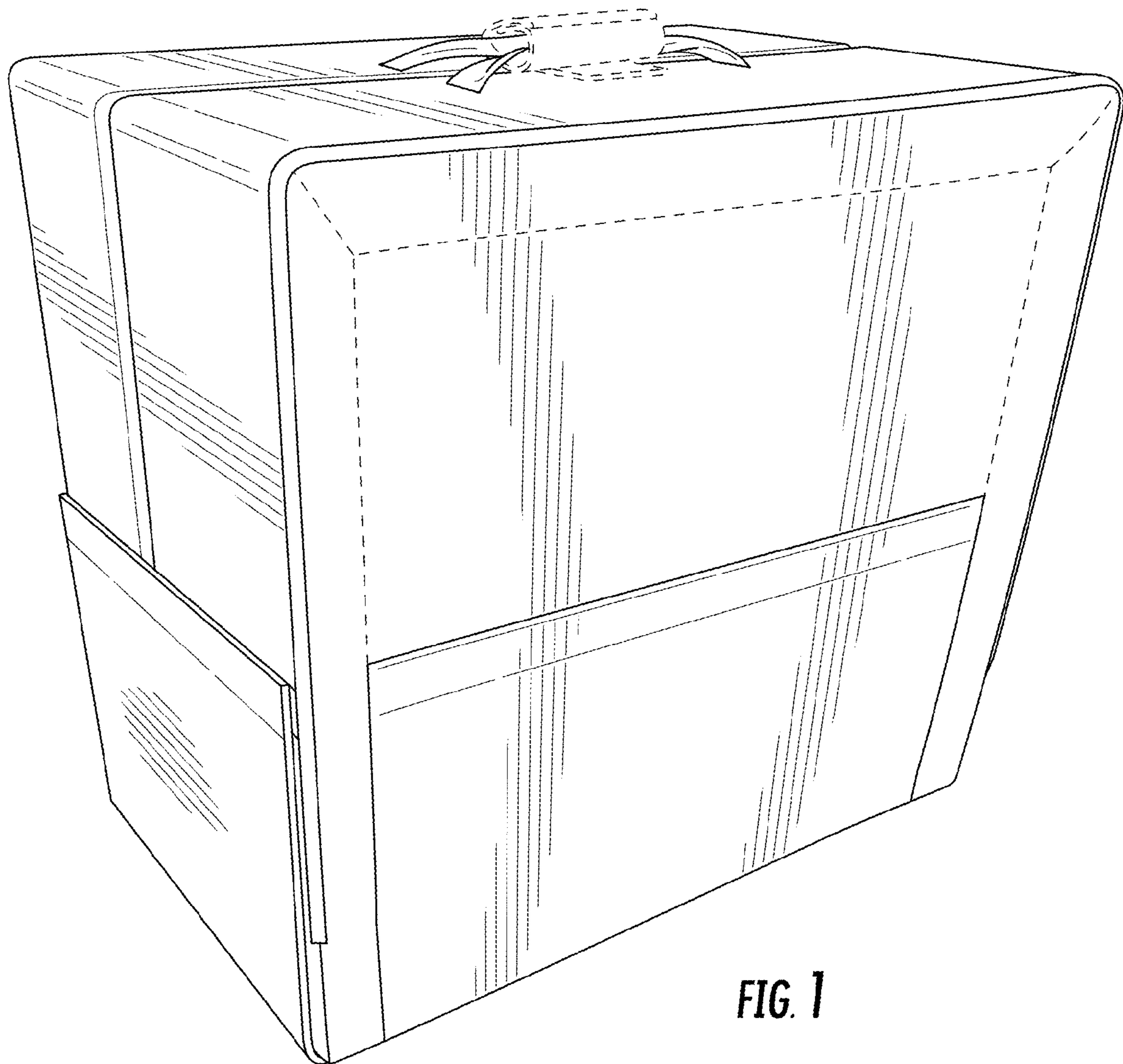


FIG. 1

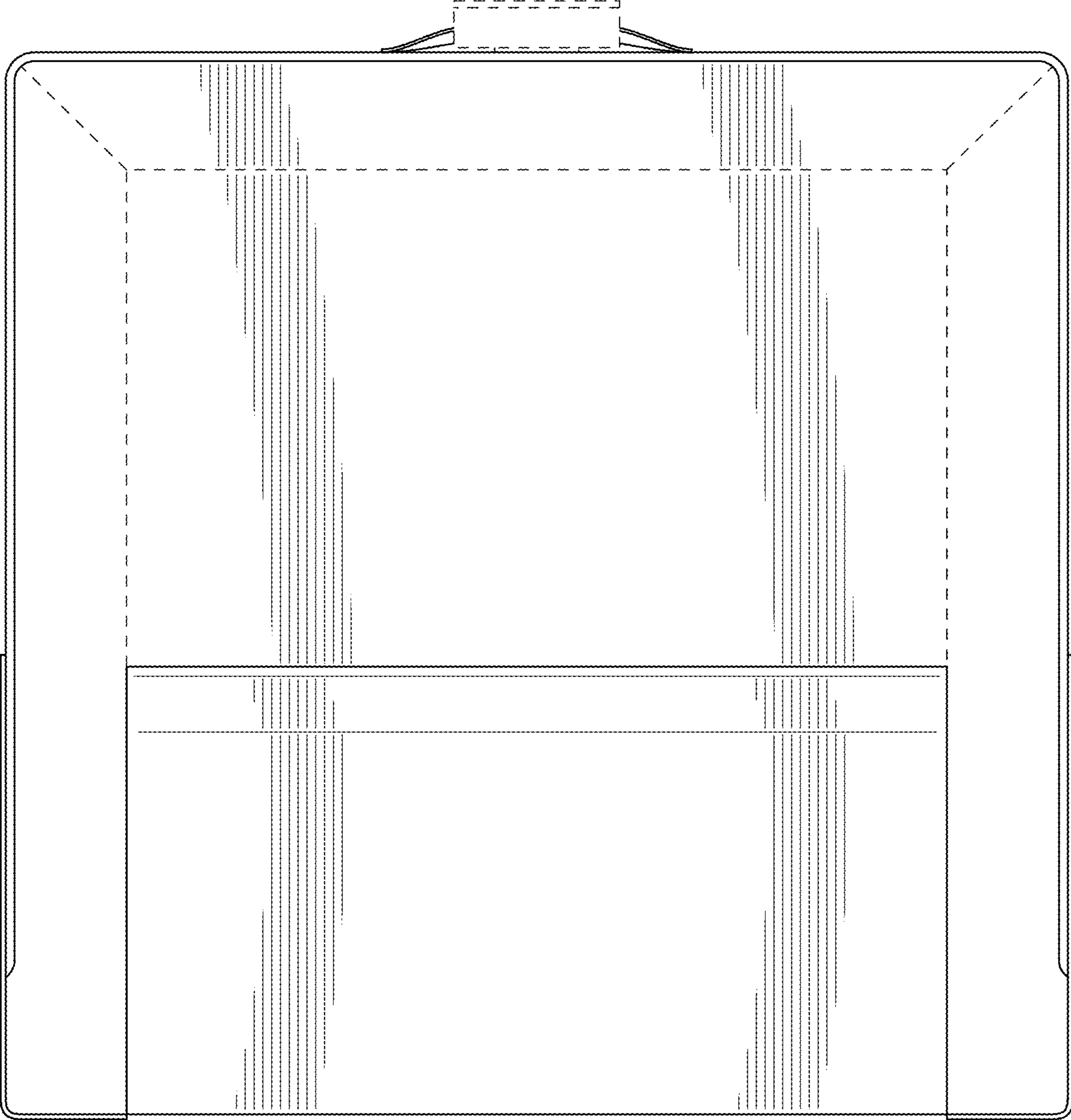


FIG. 2

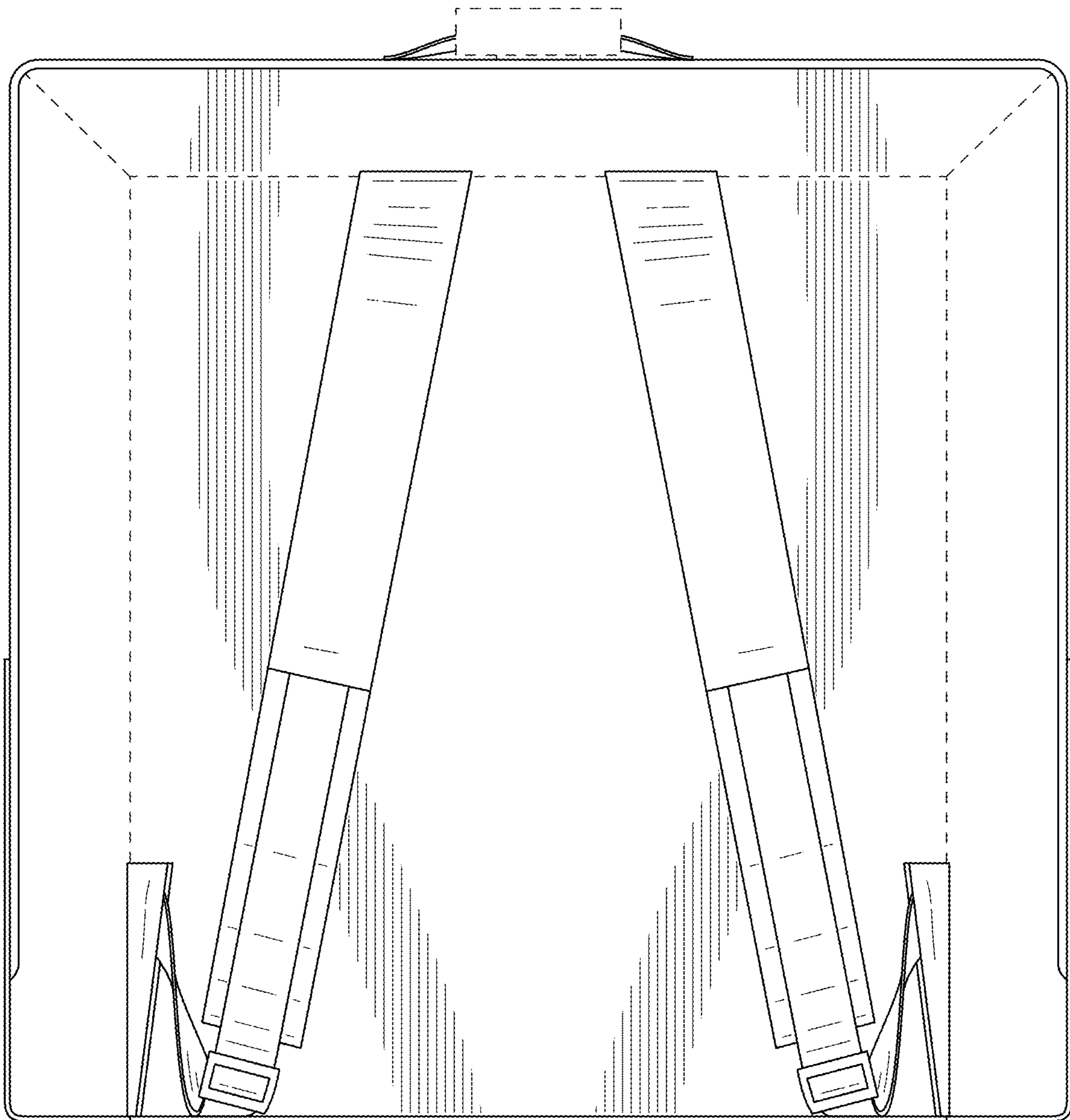


FIG. 3

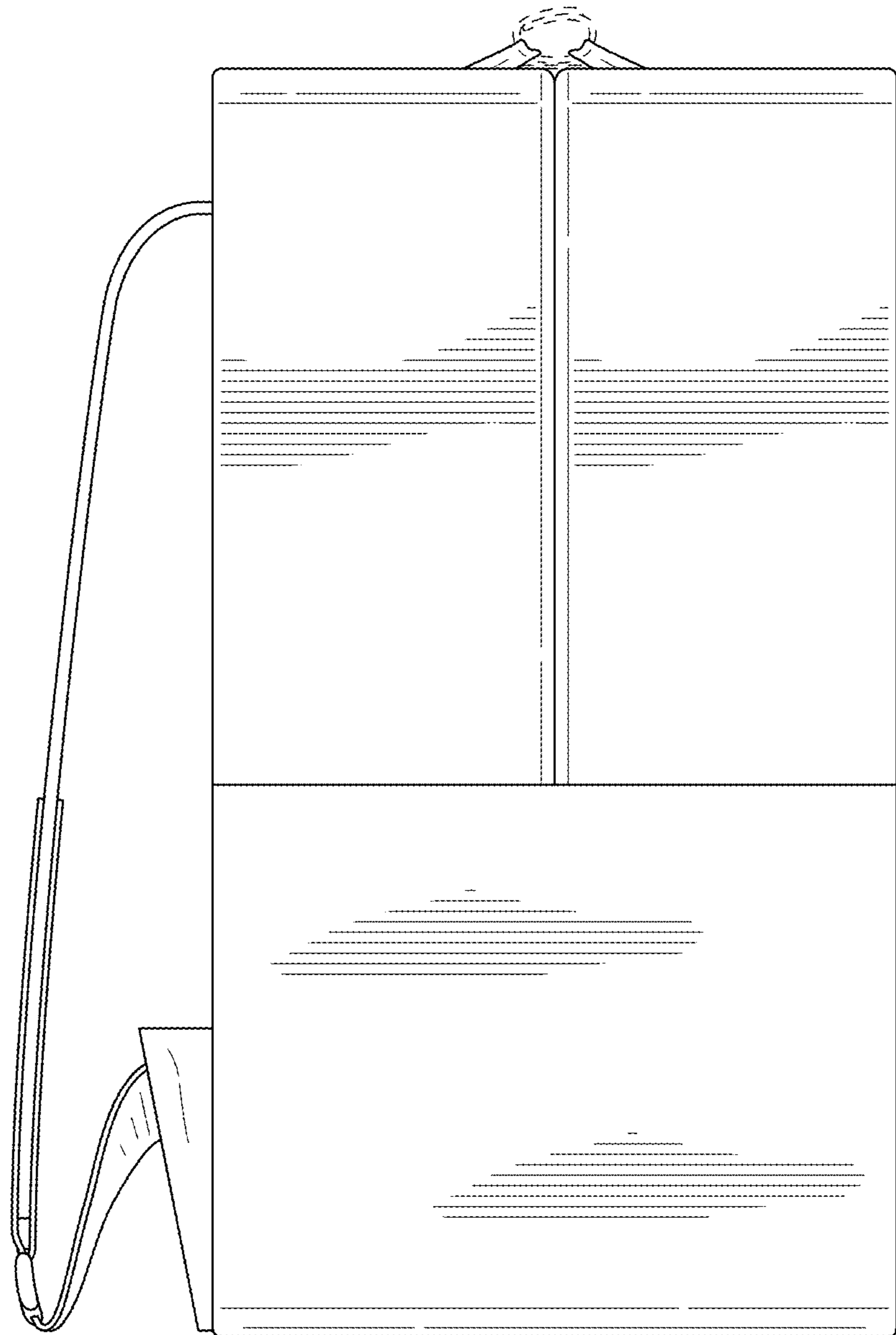


FIG. 4

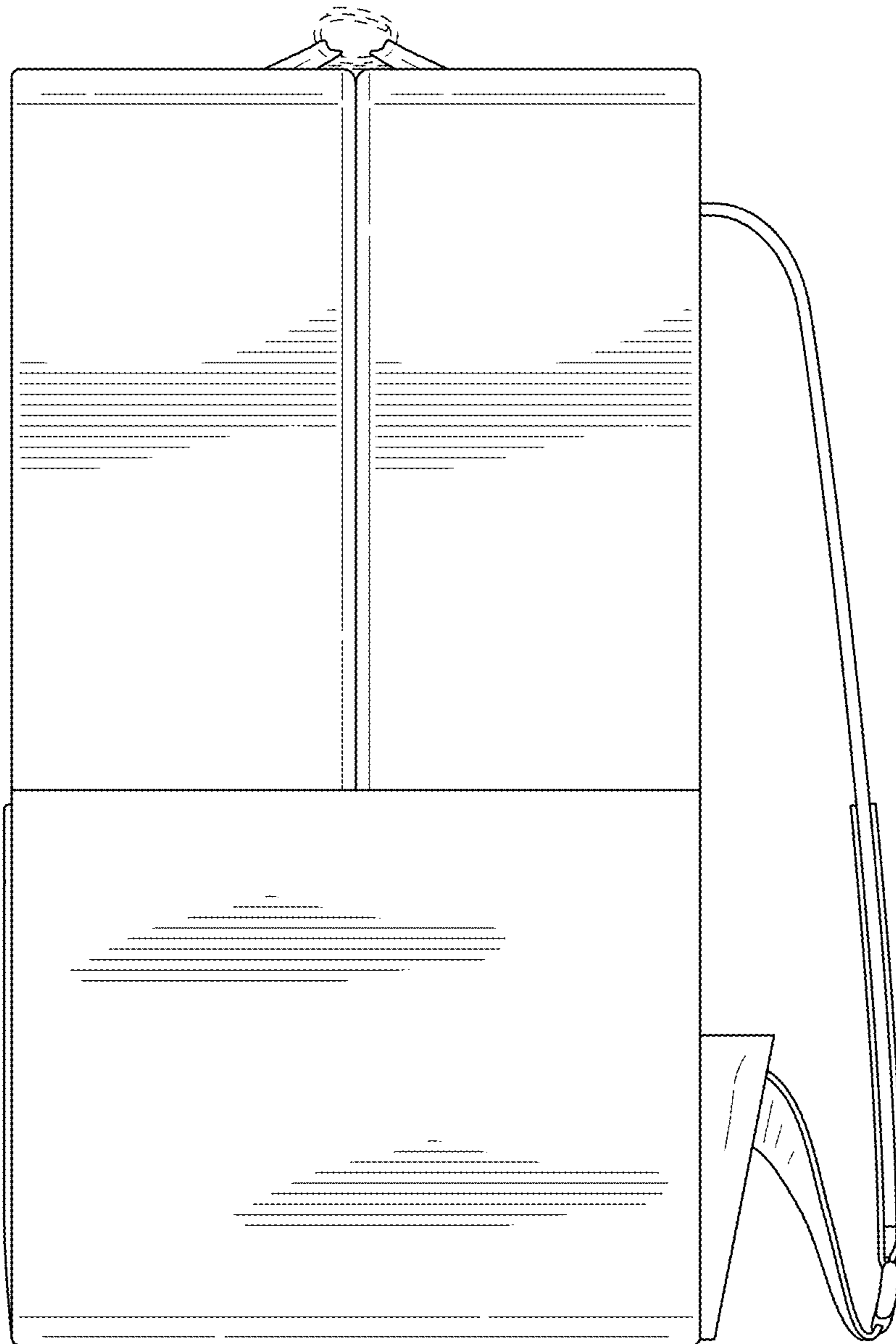


FIG. 5

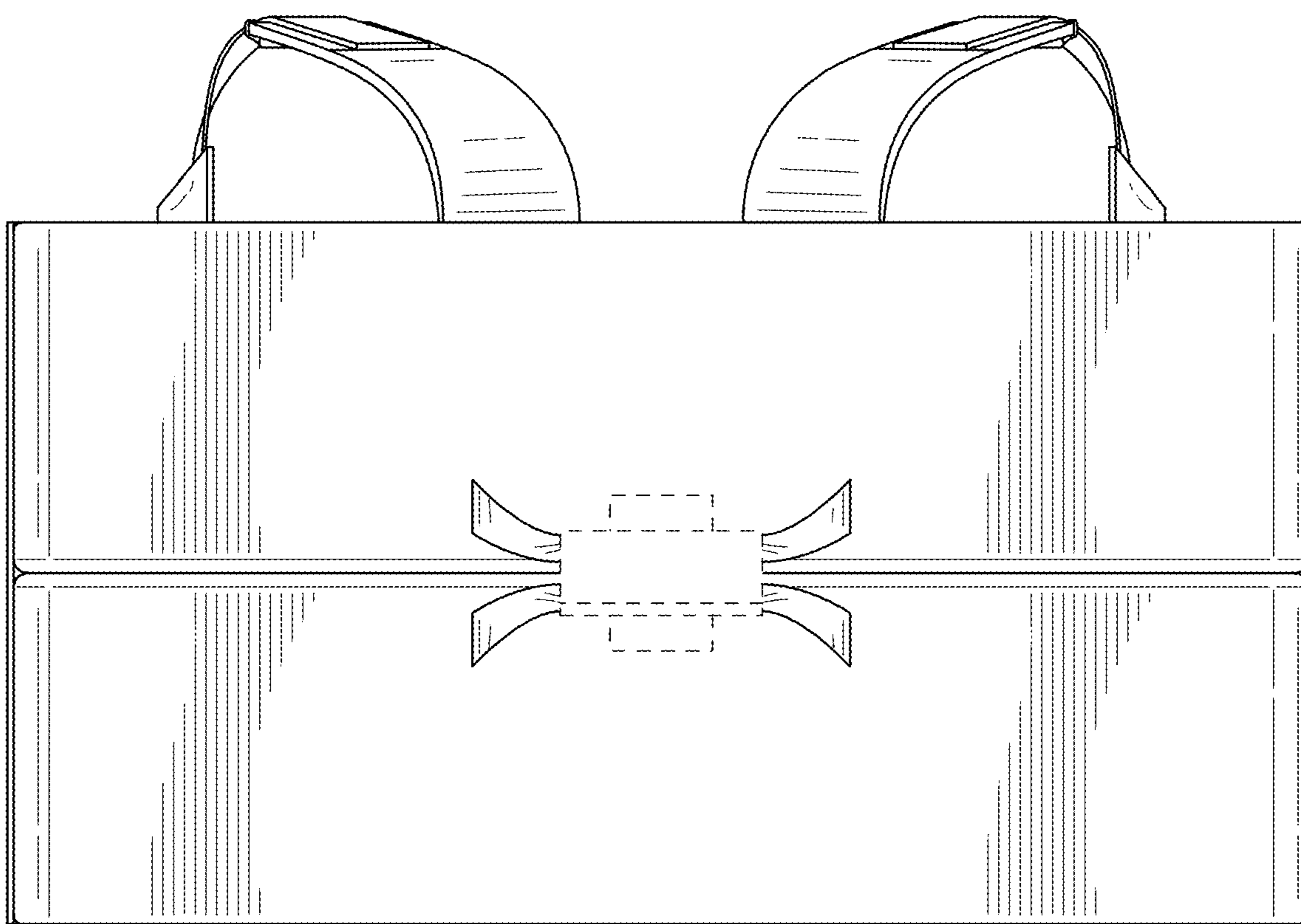


FIG. 6

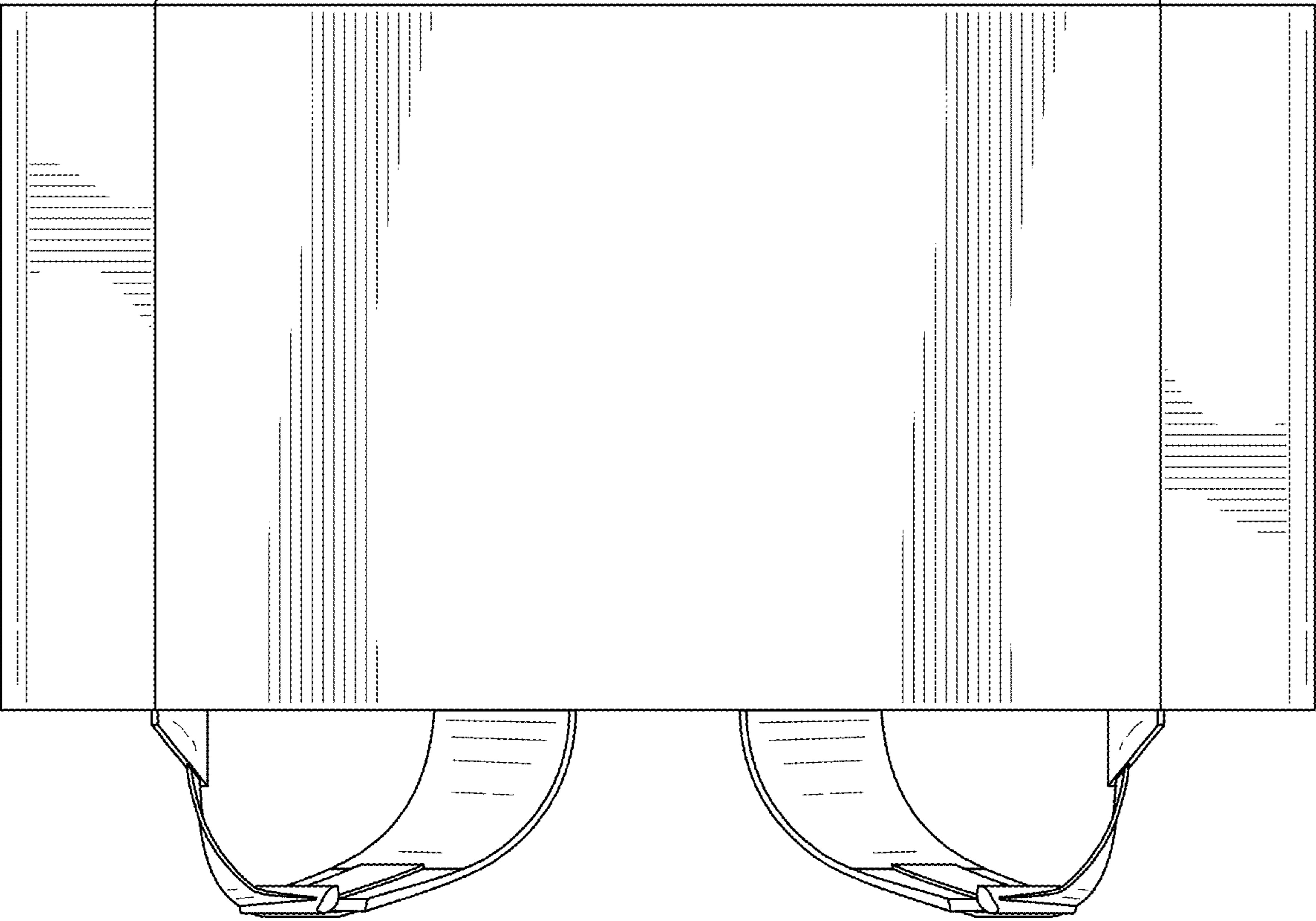


FIG. 7

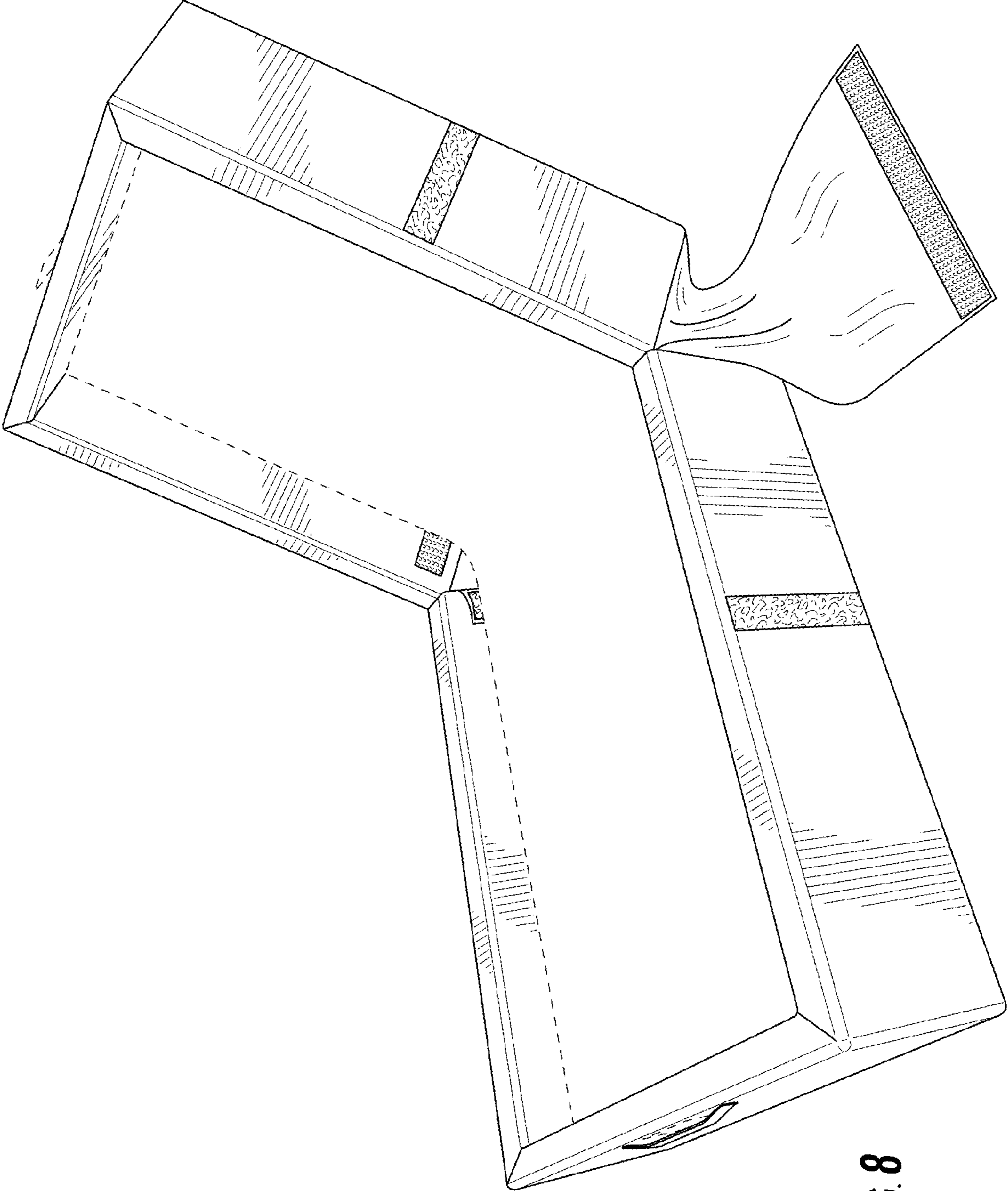


FIG. 8

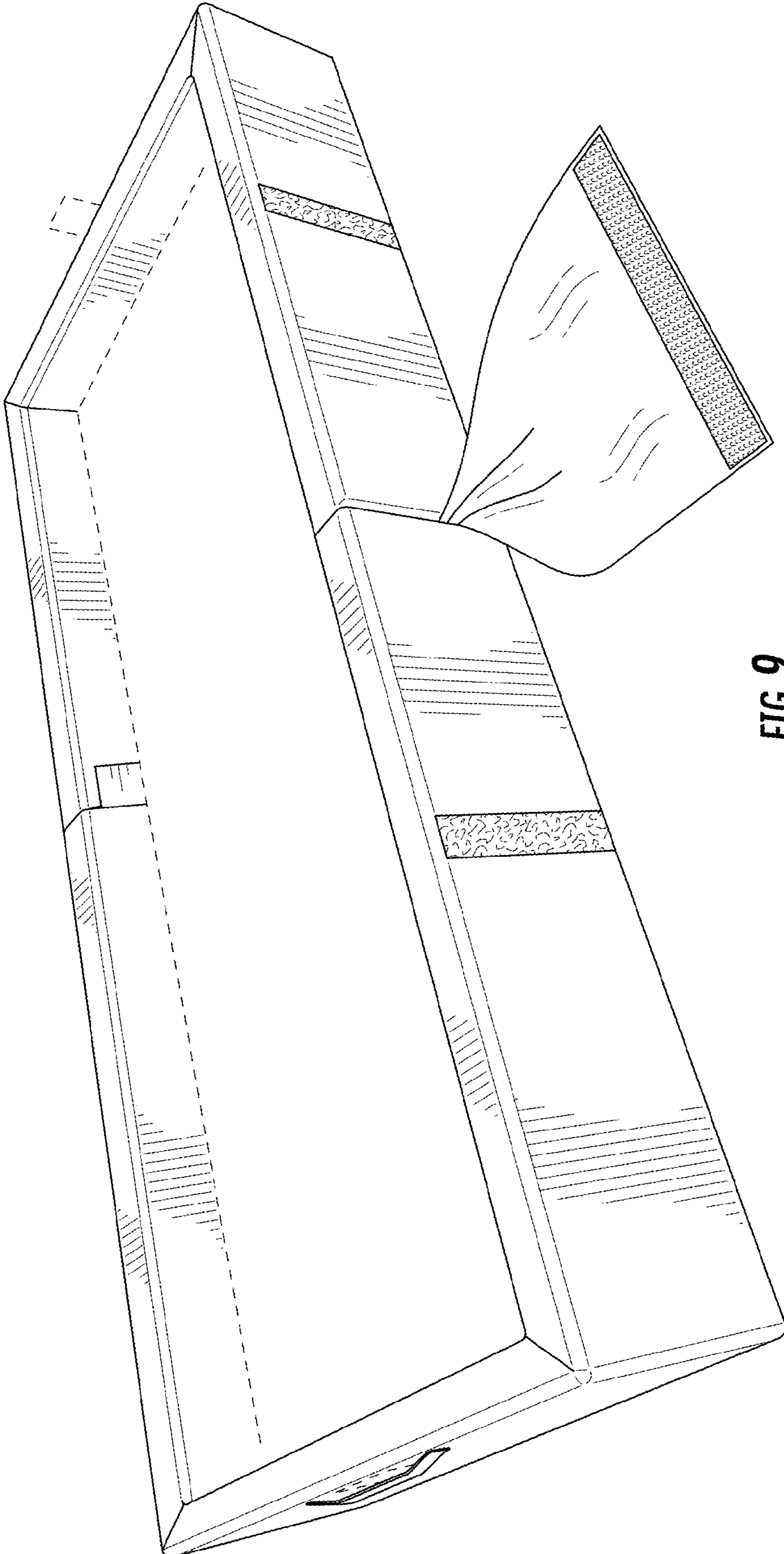


FIG. 9

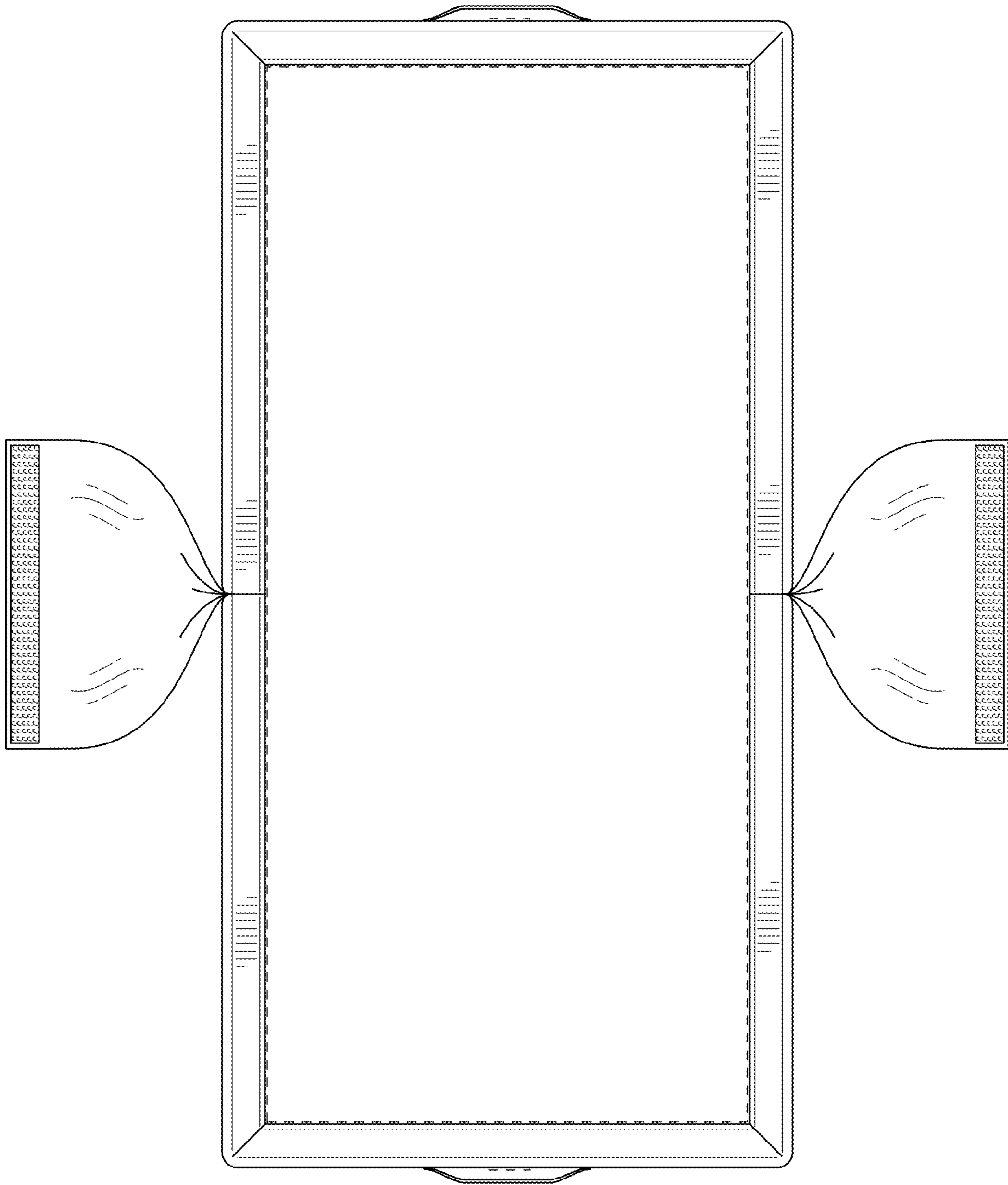


FIG. 10

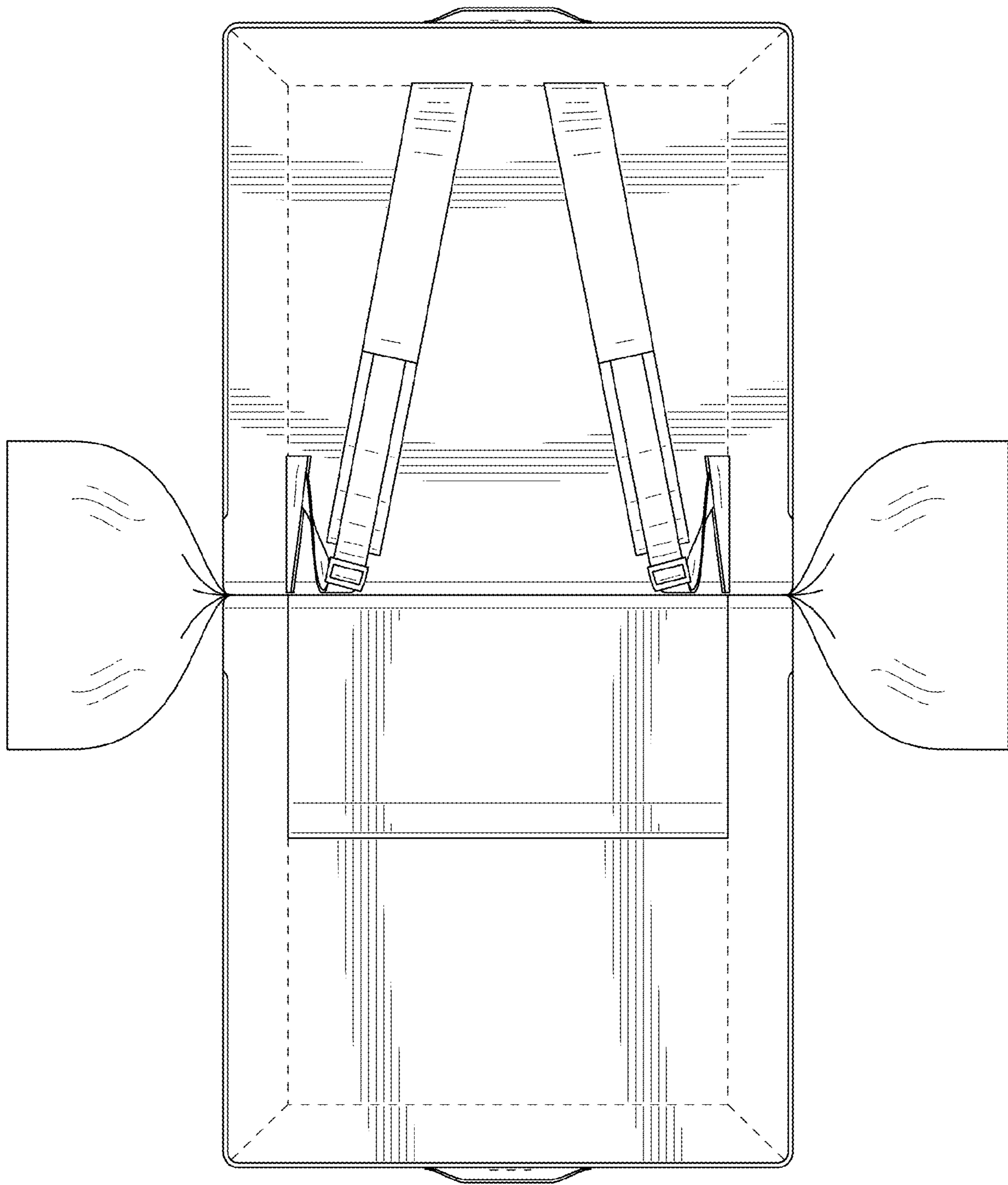


FIG. 11

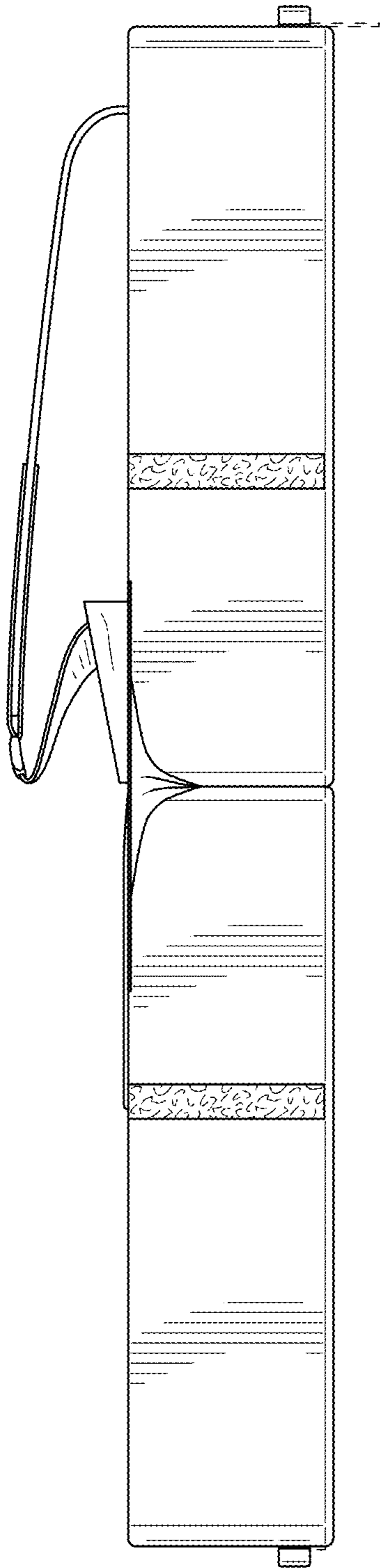


FIG. 12

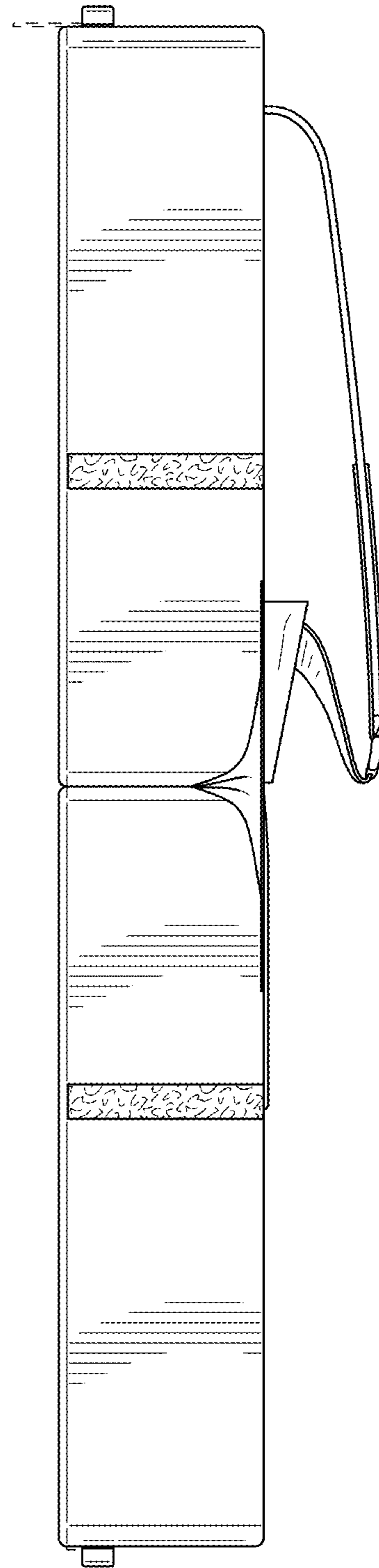


FIG. 13

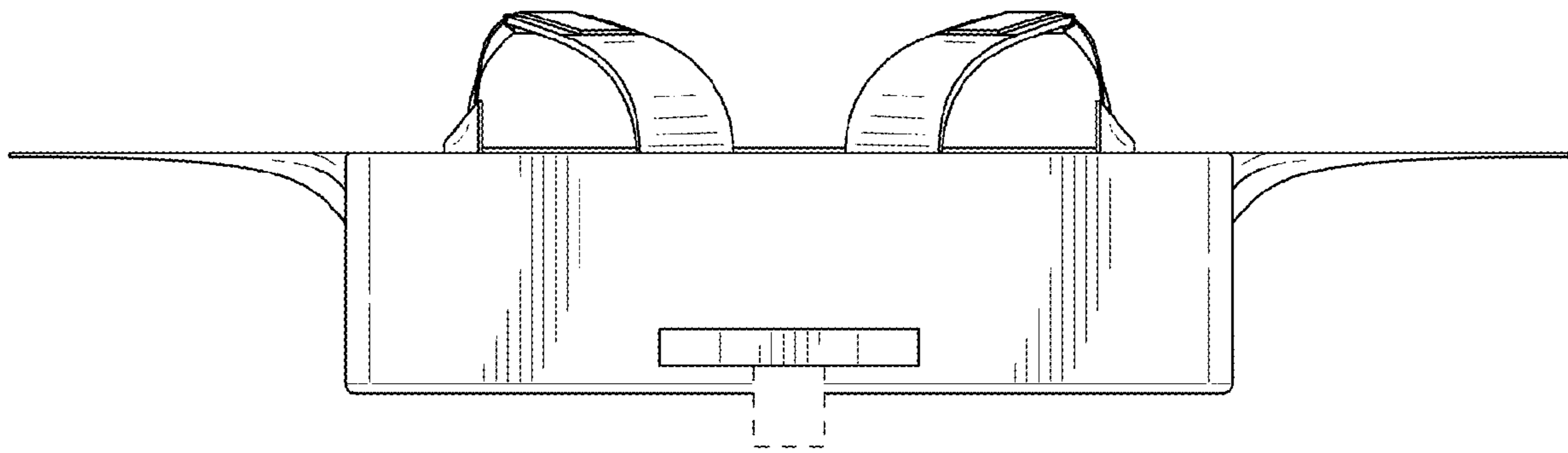


FIG. 14

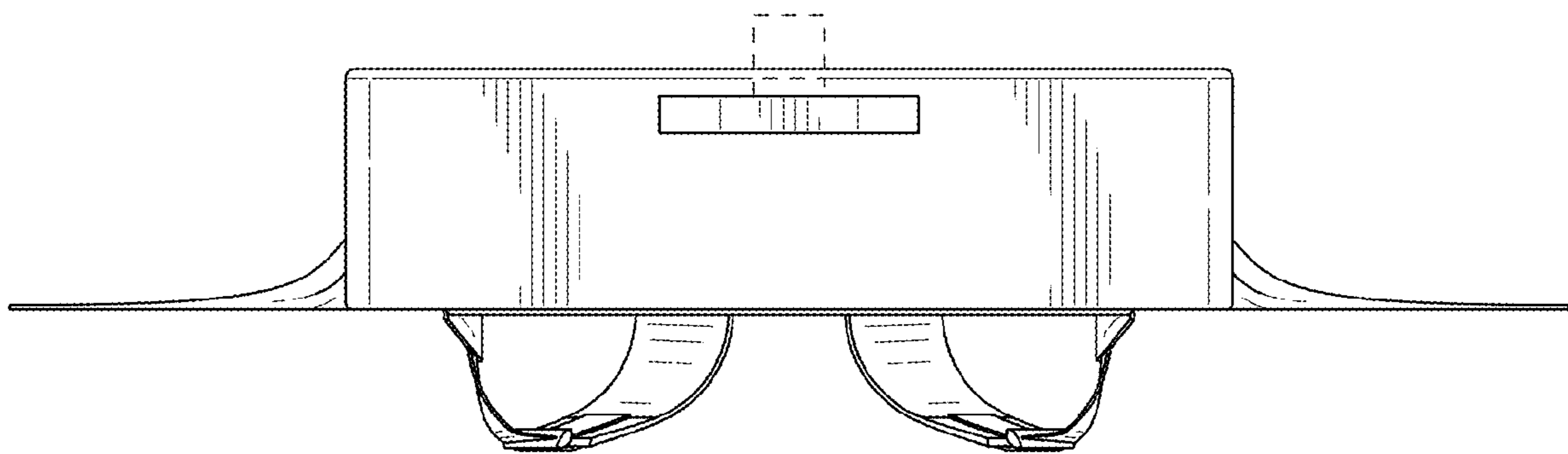


FIG. 15