



US00D968832S

(12) **United States Design Patent** (10) **Patent No.:** **US D968,832 S**  
**Zhao** (45) **Date of Patent:** **\*\* Nov. 8, 2022**

(54) **MESSAGE CHAIR**

FOREIGN PATENT DOCUMENTS

(71) Applicant: **MESSAGE CHAIR MAX, INC.**,  
Atlanta, GA (US)

KR 1858927 B1 \* 5/2018 ..... A61H 15/00  
KR 1858928 B1 \* 5/2018 ..... A61H 15/0078

(Continued)

(72) Inventor: **Sharp Zhao**, Atlanta, GA (US)

*Primary Examiner* — Kevin K Rudzinski

(73) Assignee: **MESSAGE CHAIR MAX, INC.**,  
Atlanta, GA (US)

*Assistant Examiner* — Paul D Bohannon

(74) *Attorney, Agent, or Firm* — Nitin Kaushik

(\*\*) Term: **15 Years**

(21) Appl. No.: **29/836,795**

(57) **CLAIM**

(22) Filed: **Apr. 29, 2022**

The ornamental design for a massage chair, as shown and described.

(51) **LOC (13) Cl.** ..... **06-01**

(52) **U.S. Cl.**

USPC ..... **D6/367**

(58) **Field of Classification Search**

USPC ..... D6/367, 371, 381

CPC ..... A47C 1/02; A47C 1/0355; A47C 1/037;

A47C 1/12; A47C 16/02; A47C 17/161;

A47C 7/407; A47C 7/506; A47C 7/5068;

A47C 7/52; A47C 7/566; A47C 7/68;

A47C 7/624; A47C 7/725; A47C 1/0308;

A47C 7/543; A61H 2201/0188; A61H

2201/1623; A61H 2201/1676; A61H

2201/5066; A61H 2201/1614; A61H

2201/1238; A61H 2201/1671; A61H

2201/0149; A61H 2201/1669; A61H

2201/1215; A61H 2201/0192; A61H

2205/06; A61H 2205/10; A61H 2205/081;

A61H 2205/106; A61H 2205/108; A61H

2205/062; A61H 2203/0431; A61H 7/00;

A61H 7/007; A61H 23/006; A61H

9/0078; A61H 2015/0014

See application file for complete search history.

**DESCRIPTION**

FIG. 1 is a perspective view of a massage chair showing my new design;

FIG. 2 is another perspective view thereof;

FIG. 3 is a front elevational view thereof;

FIG. 4 is a rear elevational view thereof;

FIG. 5 is a left side elevational view thereof;

FIG. 6 is a right side elevational view thereof;

FIG. 7 is a top plan view thereof;

FIG. 8 is a bottom plan view thereof;

FIG. 9 is an enlarged view of portion 9 shown in FIG. 1;

FIG. 10 is an enlarged view of portion 10 shown in FIG. 1;

FIG. 11 is an enlarged view of portion 11 shown in FIG. 1;

FIG. 12 is an enlarged view of portion 12 shown in FIG. 2;

and,

FIG. 13 is an enlarged view of portion 13 shown in FIG. 3.

The dash-dash broken lines in the drawings depict portions of the massage chair that form no part of the claimed design.

The dot-dash broken lines represent boundaries of the enlarged portions and form no part of the claimed design.

(56) **References Cited**

U.S. PATENT DOCUMENTS

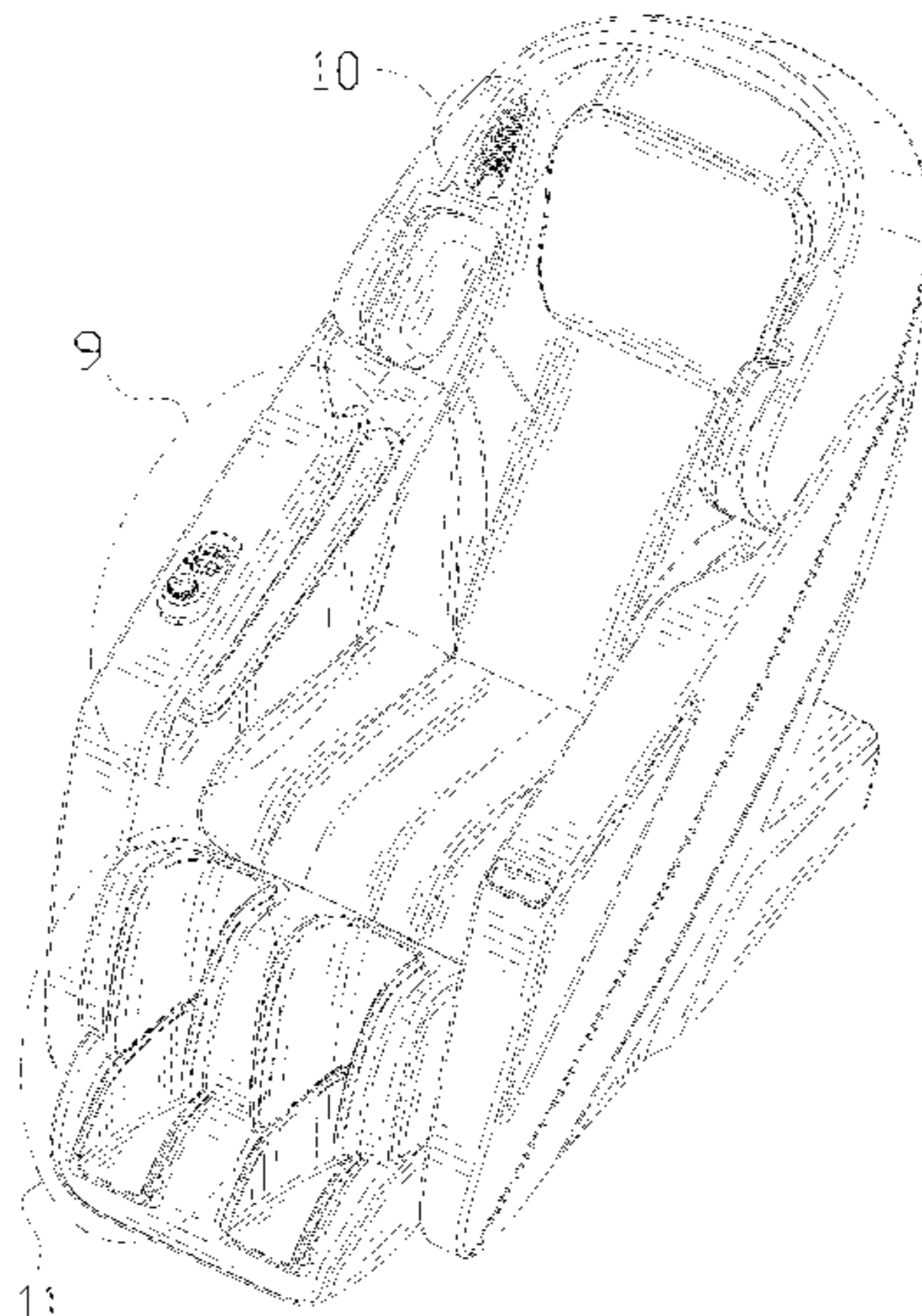
D653,468 S \* 2/2012 Hsieh ..... D6/367

D705,562 S \* 5/2014 Ouchi ..... D6/367

9,622,935 B2 \* 4/2017 Fukuyama ..... A61H 23/006

(Continued)

**1 Claim, 13 Drawing Sheets**



(56)

**References Cited**

U.S. PATENT DOCUMENTS

D787,213 S \* 5/2017 Lek ..... D6/367  
D796,219 S \* 9/2017 Lin ..... D6/367  
D869,182 S \* 12/2019 Lin ..... D6/367  
D874,838 S 2/2020 Potter  
D879,495 S \* 3/2020 Lee ..... D6/367  
D887,741 S \* 6/2020 Okuyama ..... D6/367  
D897,710 S \* 10/2020 Okuyama ..... D6/367  
10,932,576 B2 \* 3/2021 Levin ..... A61H 7/00  
D923,351 S \* 6/2021 Lin ..... D6/367  
D933,386 S \* 10/2021 Ker ..... D6/367

FOREIGN PATENT DOCUMENTS

KR 2018057398 A \* 5/2018 ..... A61H 39/04  
KR 1910863 B1 \* 10/2018 ..... A61B 5/0476  
KR 2019084914 A \* 7/2019 ..... A61H 15/0078  
KR 2019086633 A \* 7/2019 ..... A61H 15/0078  
KR 2022016357 A \* 2/2022  
KR 2022112874 A \* 8/2022

\* cited by examiner



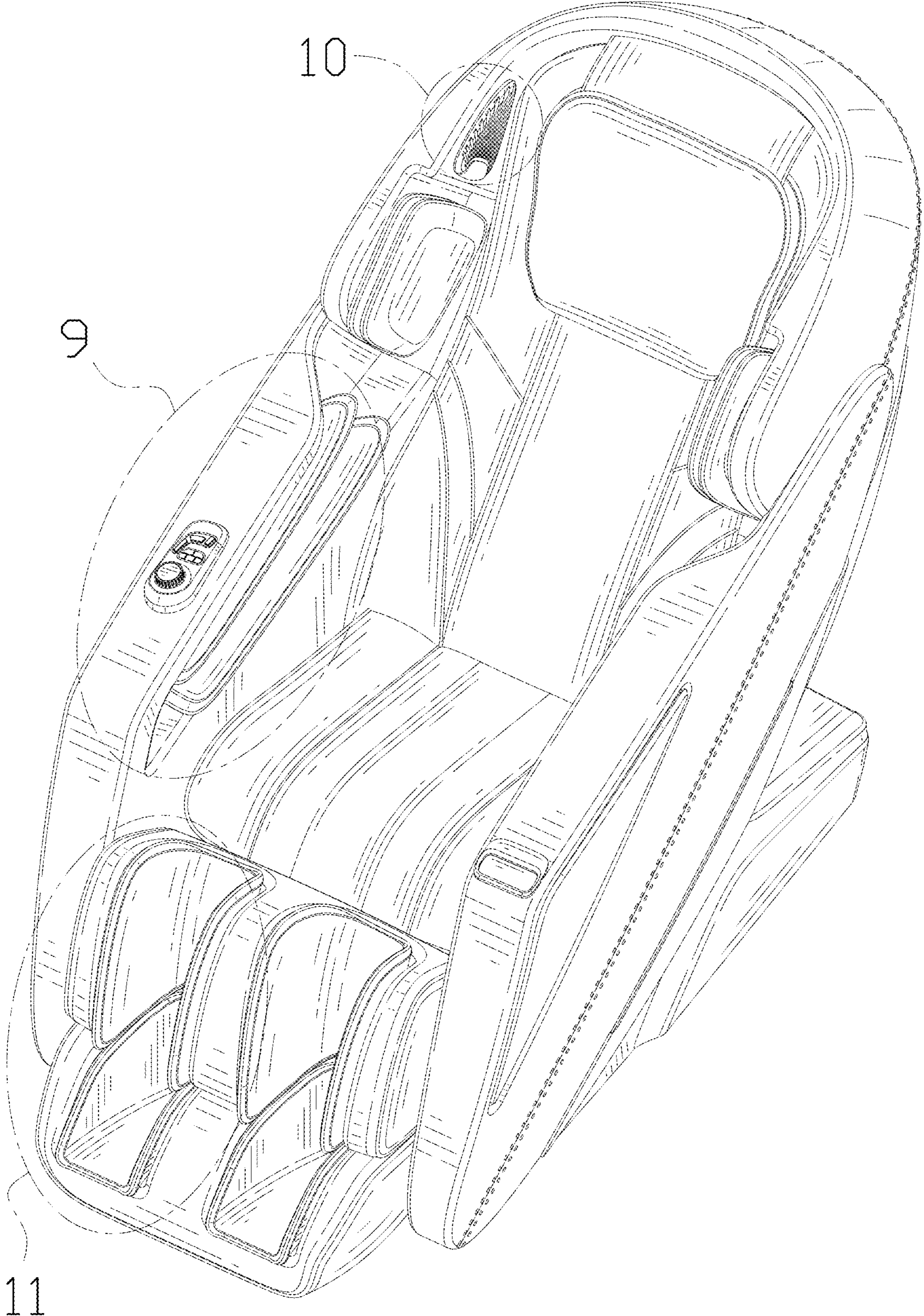


FIG. 1

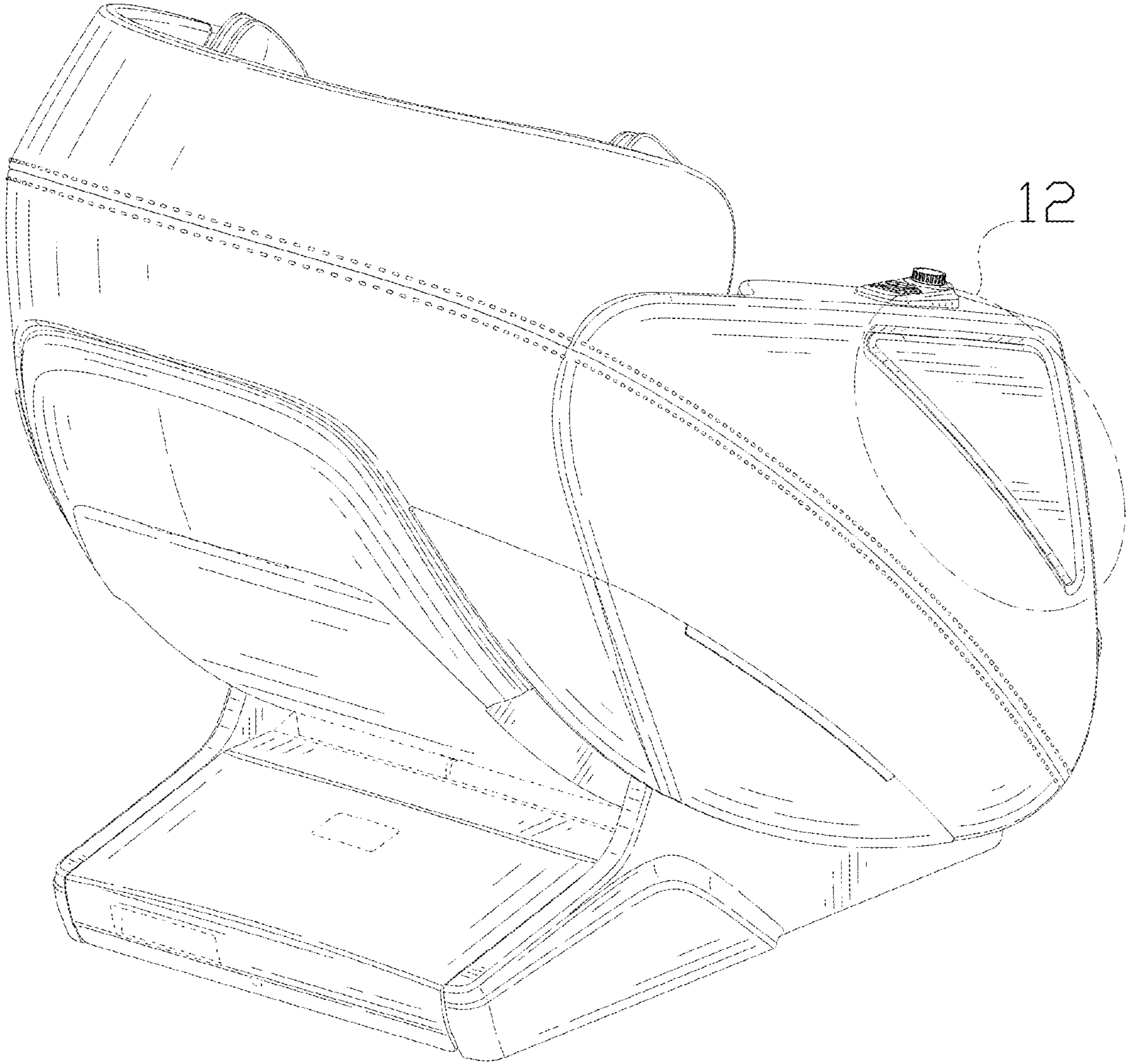
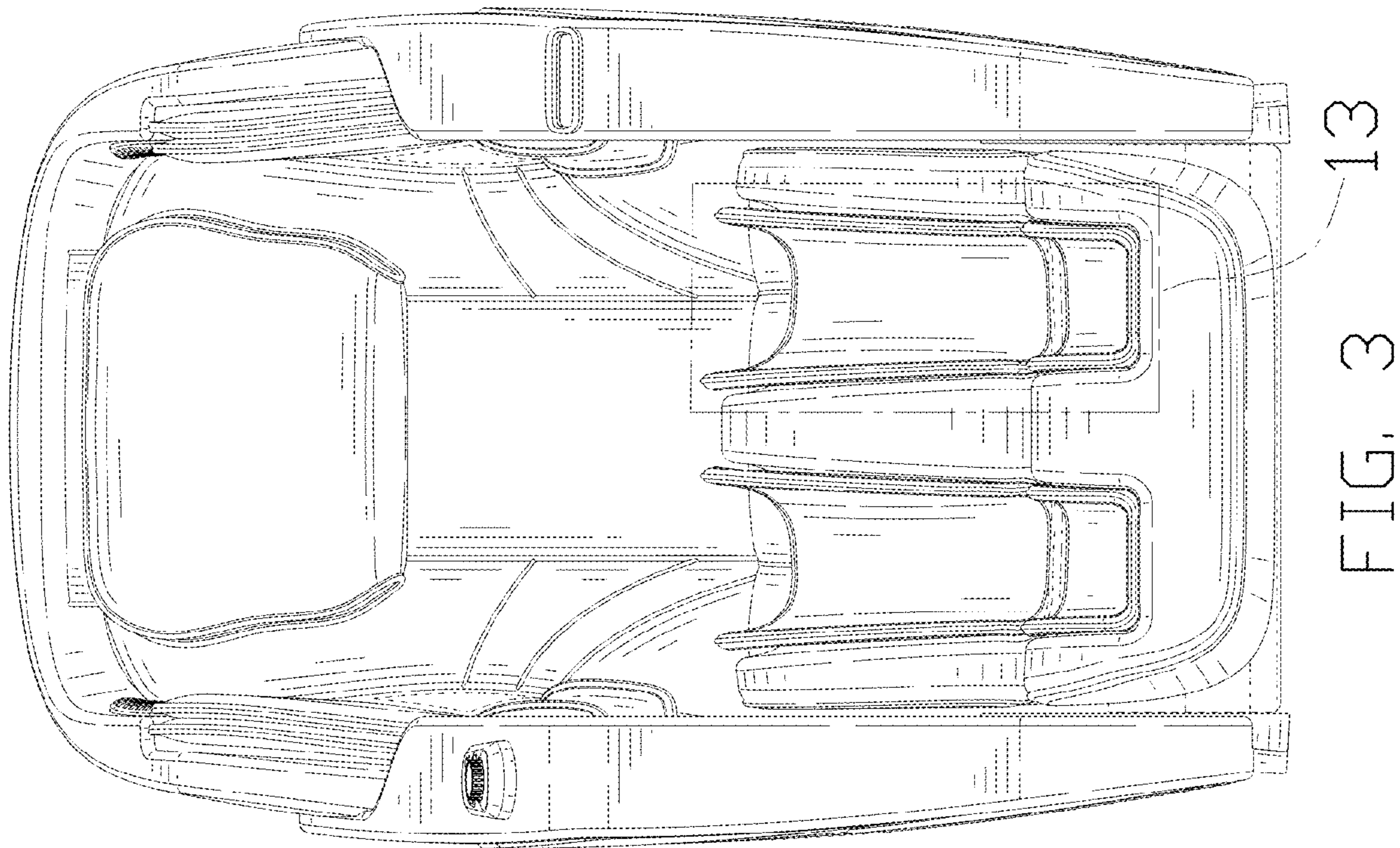


FIG. 2





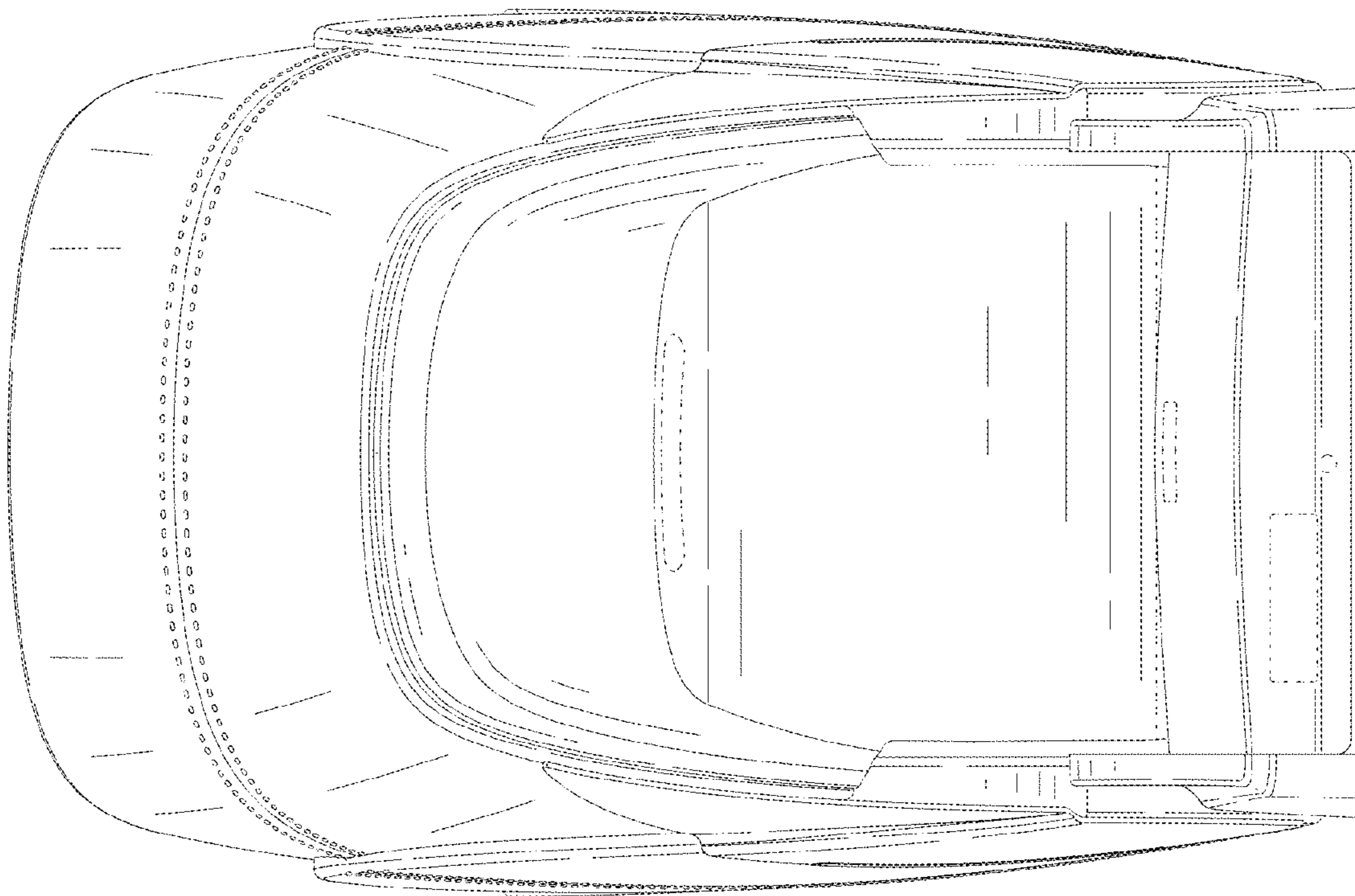


FIG. 4

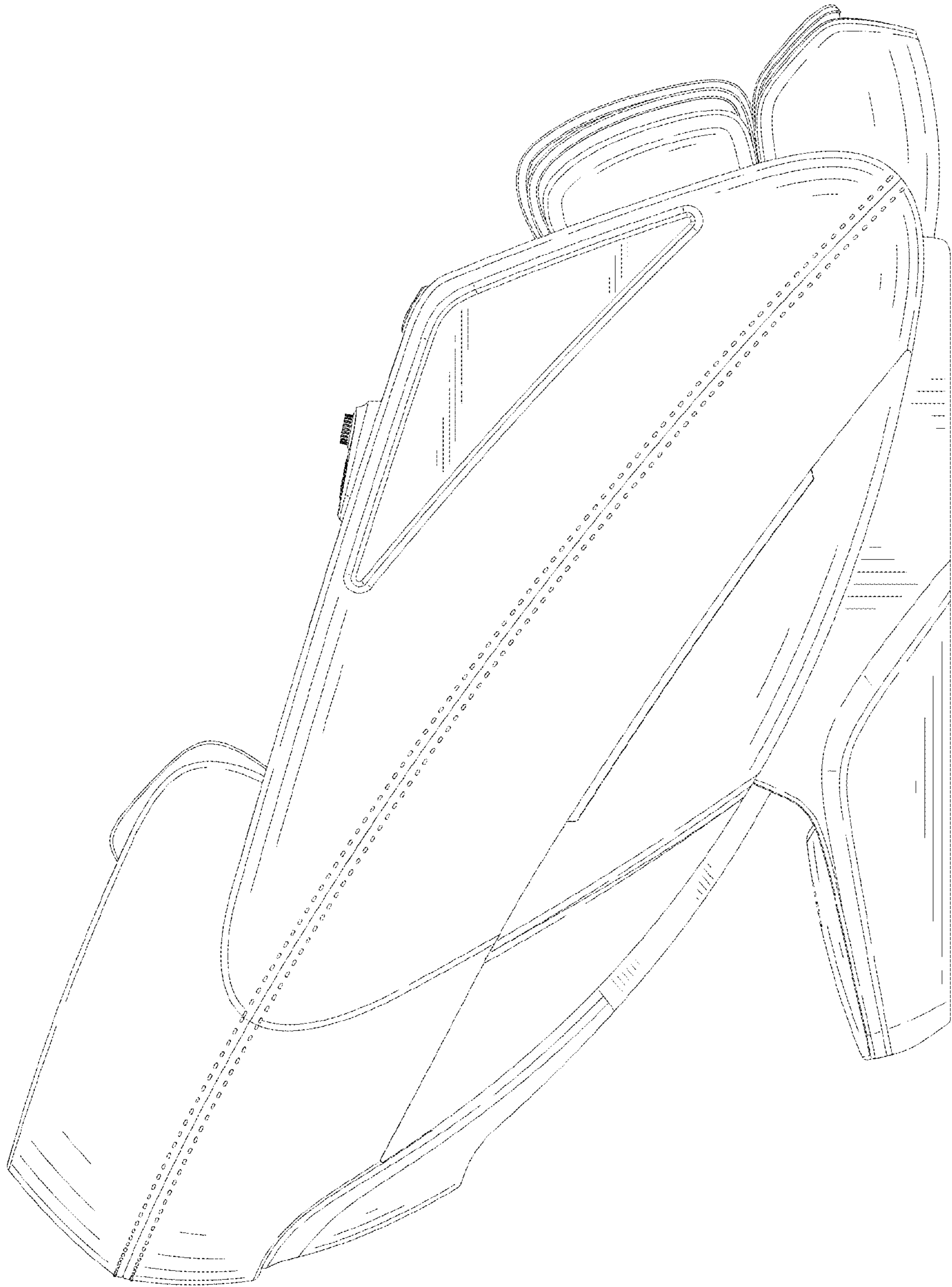


FIG. 5

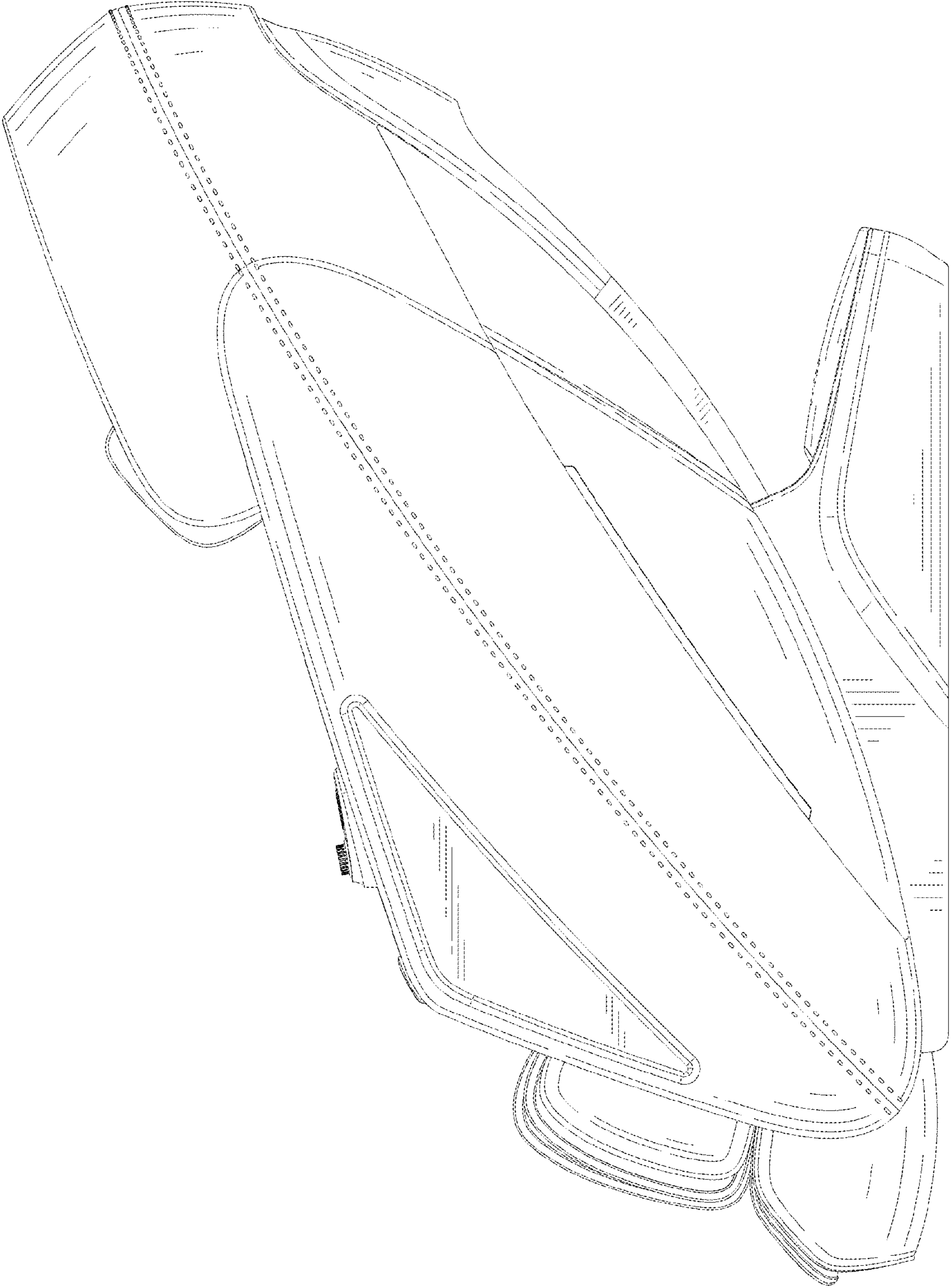


FIG. 6



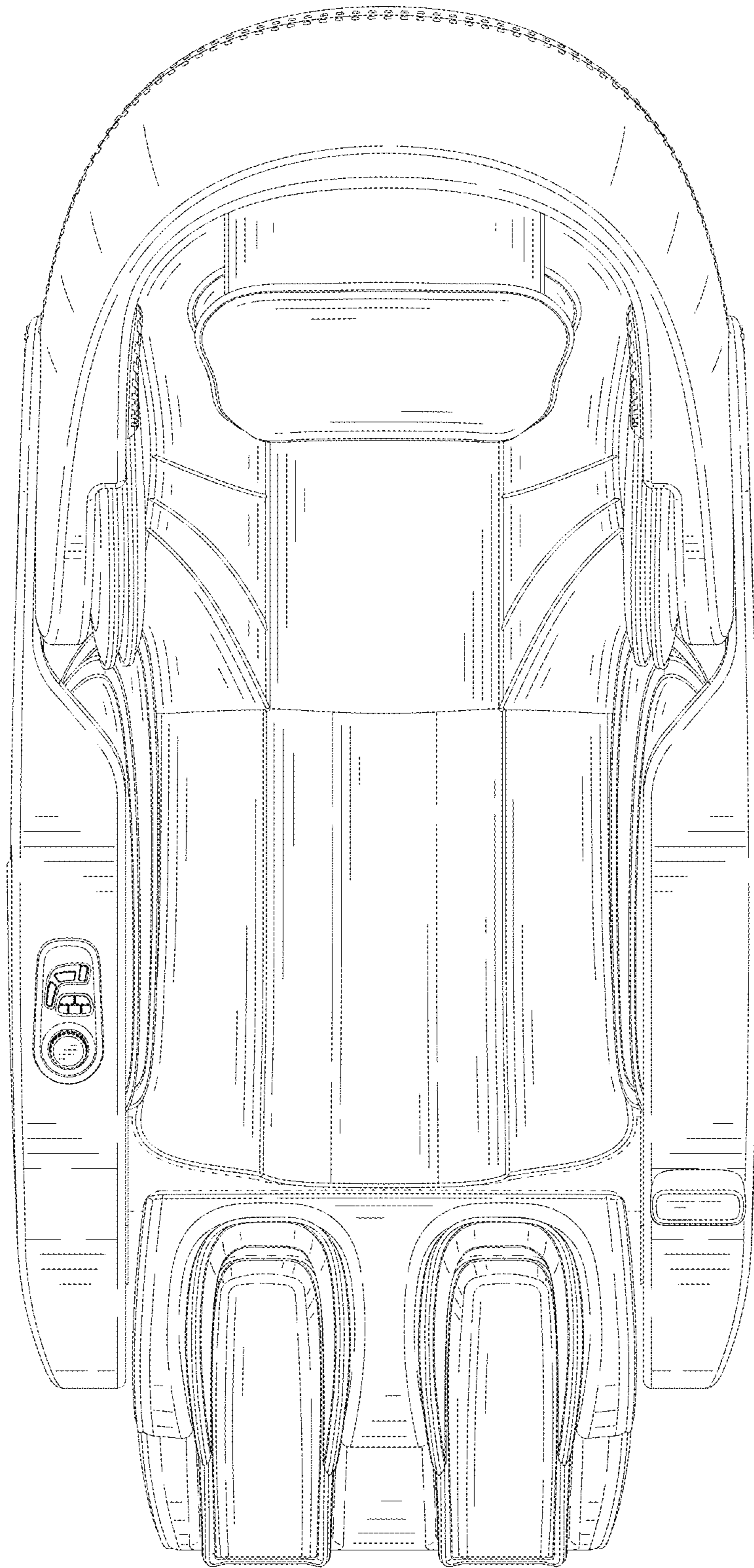


FIG. 7

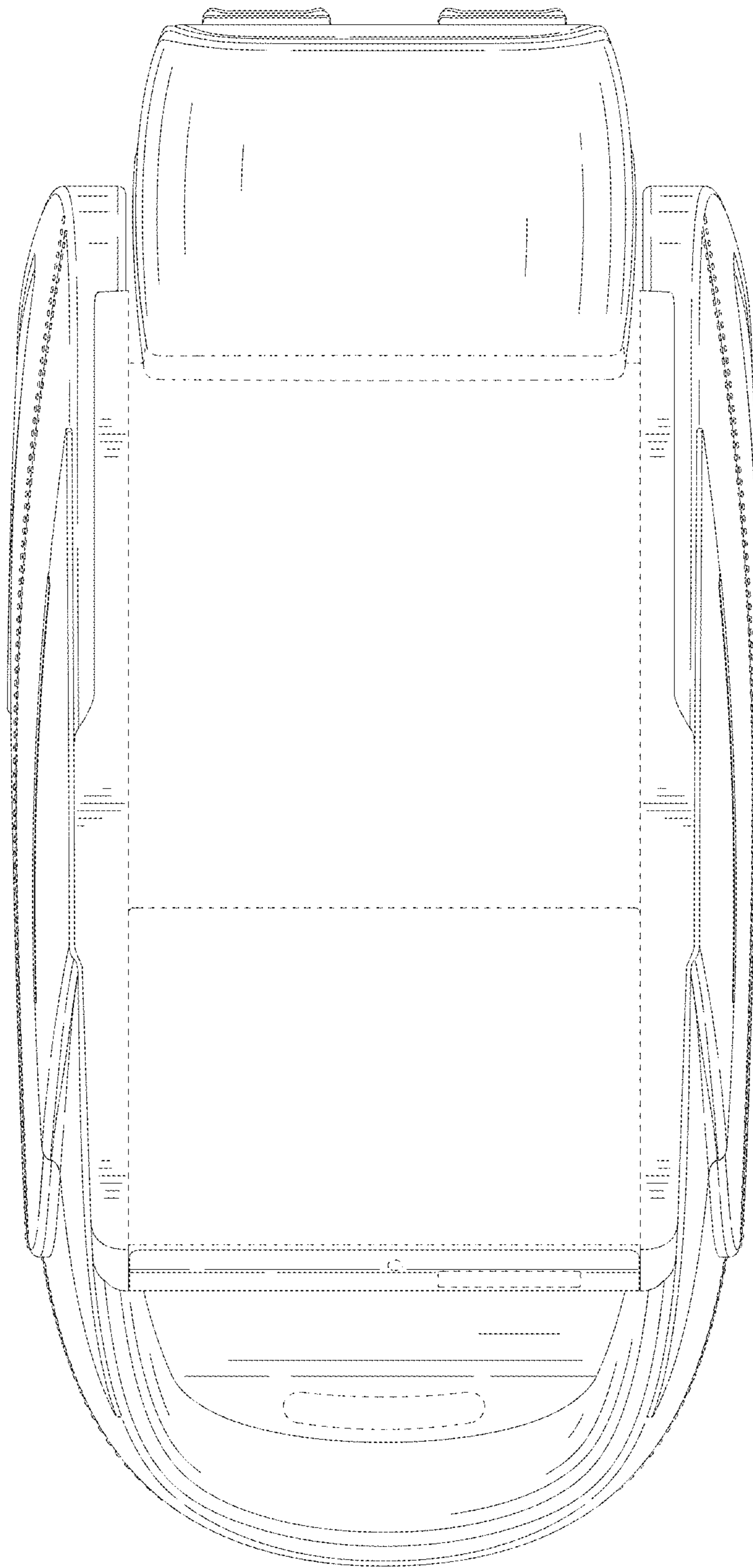


FIG. 8

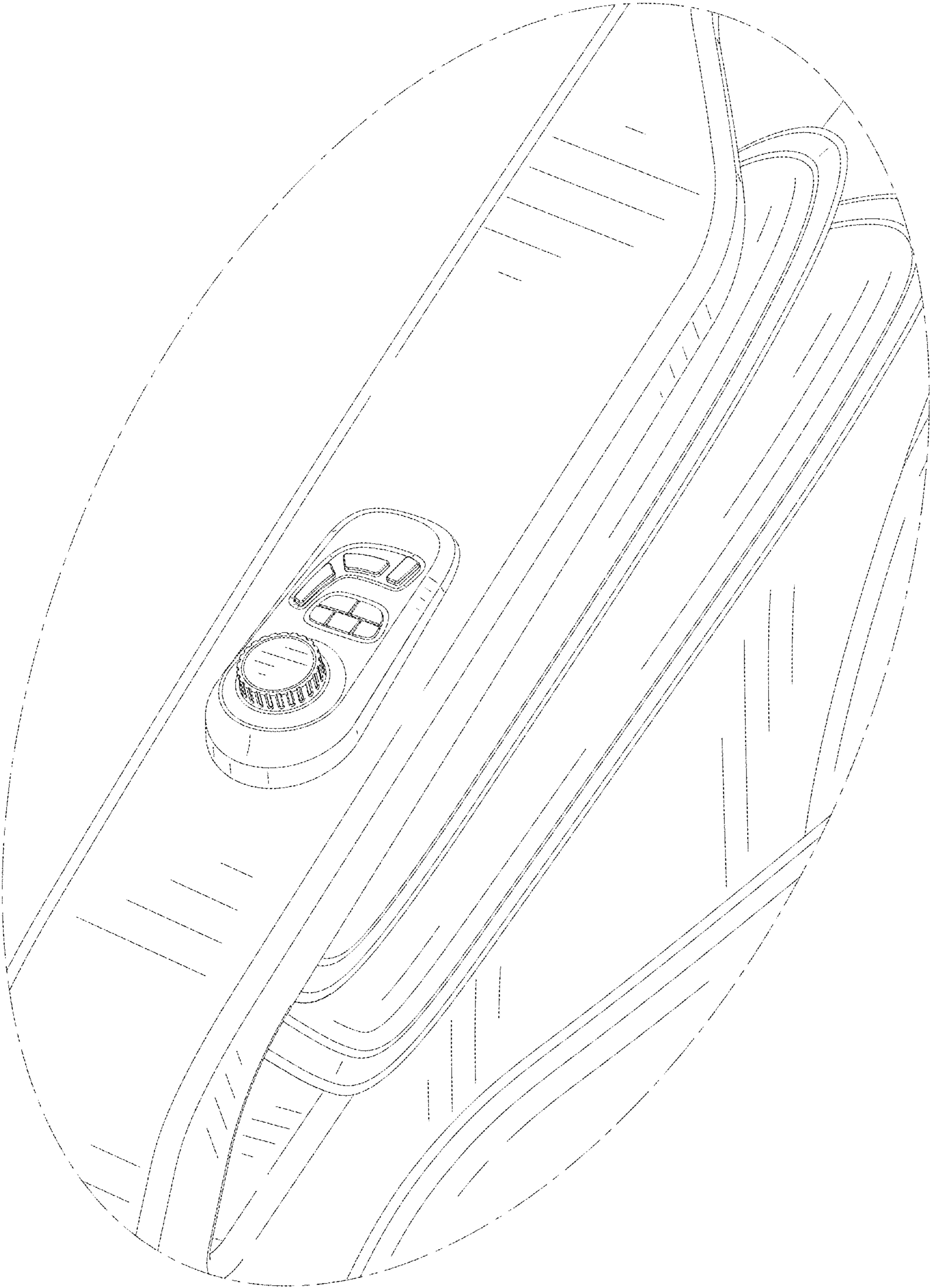


FIG. 9



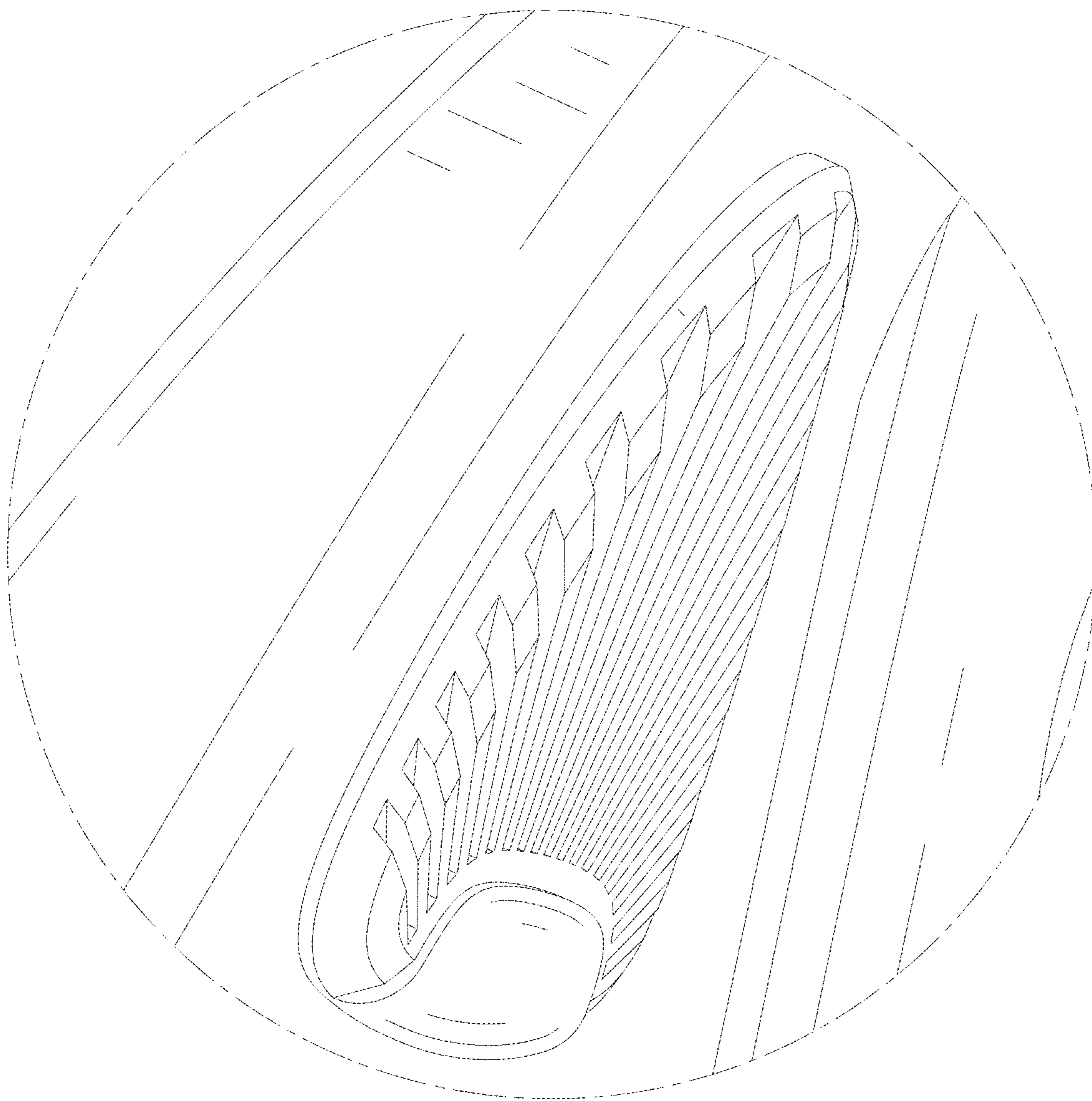


FIG. 10

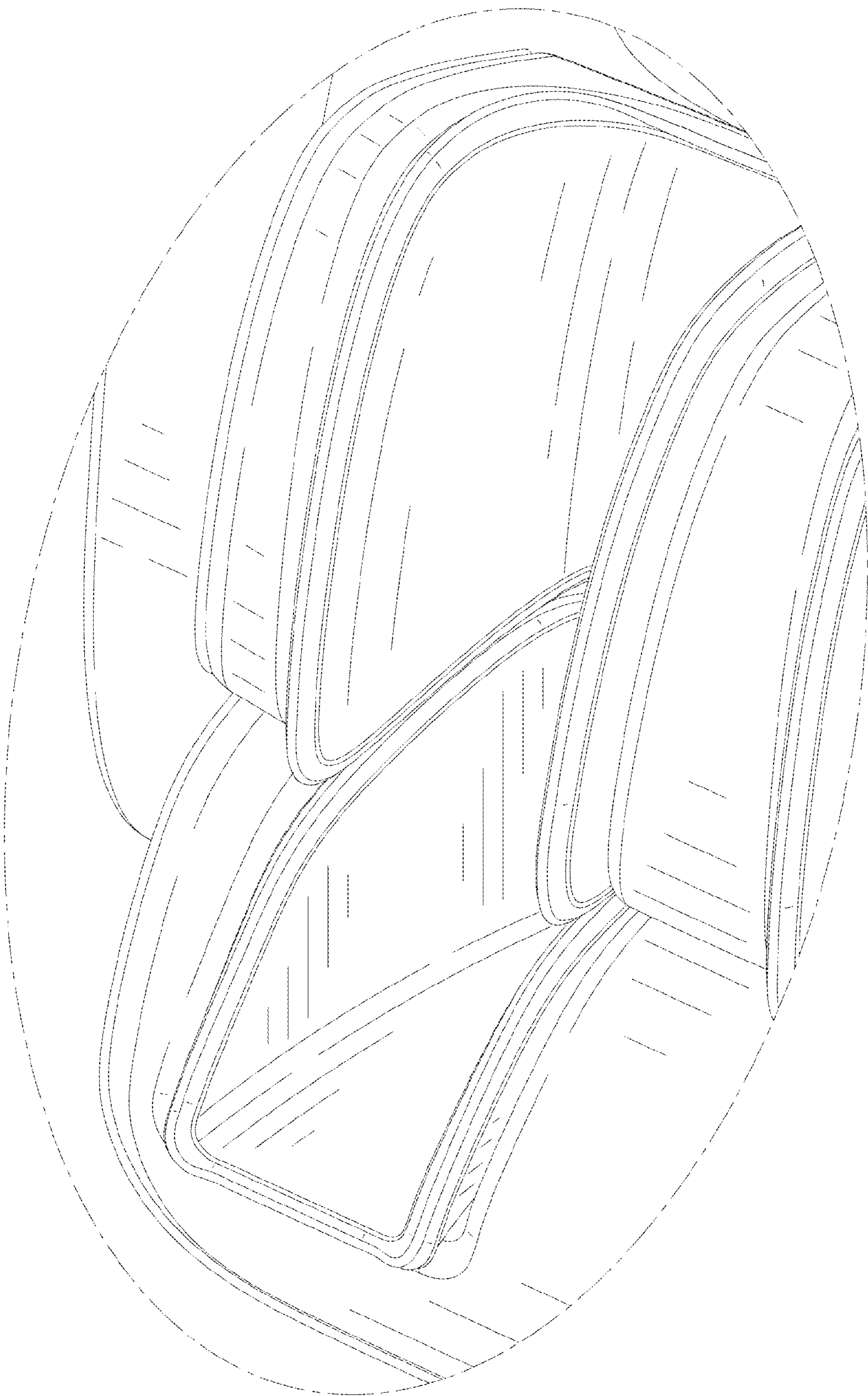


FIG. 11

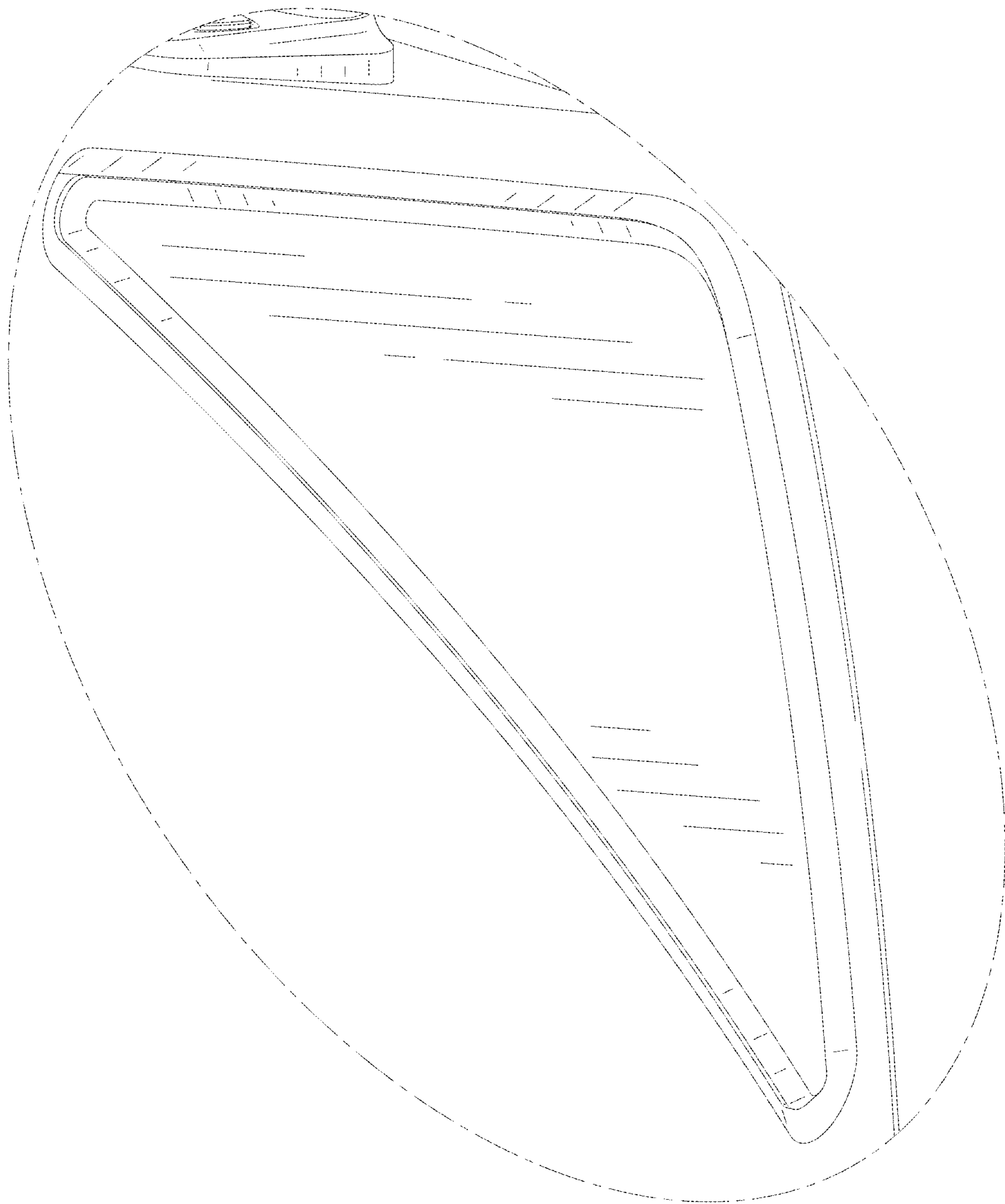


FIG. 12



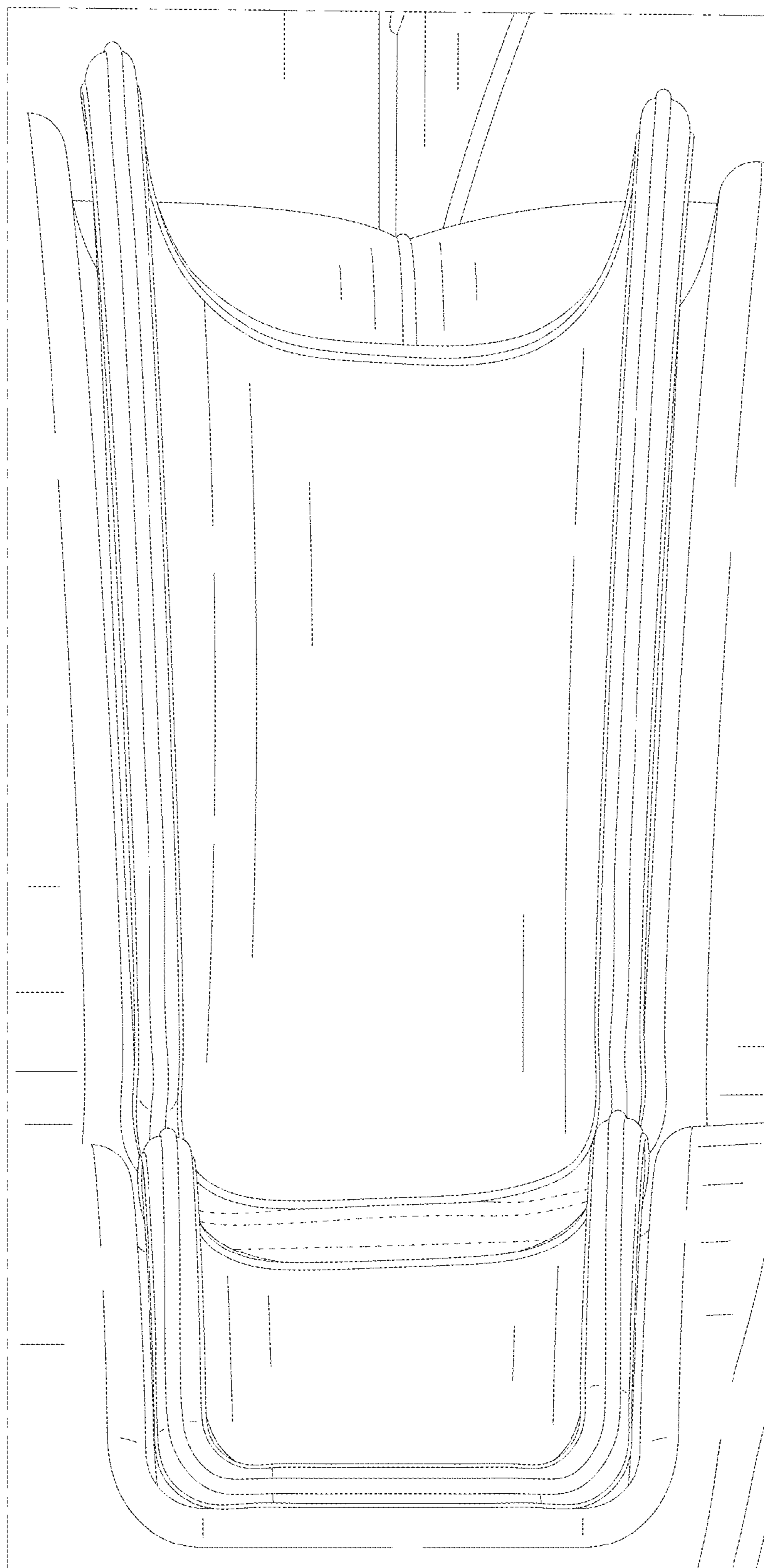


FIG. 13