



US00D968831S

(12) **United States Design Patent** (10) **Patent No.:** **US D968,831 S**
Andersen et al. (45) **Date of Patent:** **** Nov. 8, 2022**

(54) **SOFA**
(71) Applicant: **Innovation U.S.A., Inc.**, Mission Viejo, CA (US)

D603,618 S 11/2009 Weiss
D604,957 S 12/2009 Weiss
D618,007 S 6/2010 Andersen
(Continued)

(72) Inventors: **Per Weiss Andersen**, Randers (DK);
Oliver WeissKrogh, Randers (DK);
Lukas WeissKrogh, Randers (DK)

FOREIGN PATENT DOCUMENTS

CA 134150 A 7/1911
CA 134151 A 7/1911
(Continued)

(73) Assignee: **Innovation U.S.A., Inc.**, Mission Viejo, CA (US)

OTHER PUBLICATIONS

(**) Term: **15 Years**

Cubed Full Size Sofa Bed With Alu Legs [online], [site visited Jul. 28, 2021]. Available from internet, URL: <<https://www.innovationliving.us/products/by-type/sofa-beds/product-details/cubed-full-size-sofa-bed-with-alu-legs?fabric=317-Cordufine-Rust>> (Year: 2021).*

(21) Appl. No.: **29/740,287**

(22) Filed: **Jul. 2, 2020**

(Continued)

(30) **Foreign Application Priority Data**

Jan. 10, 2020 (EM) 007497425-0002

(51) **LOC (13) Cl.** **06-01**

(52) **U.S. Cl.**
USPC **D6/335**

(58) **Field of Classification Search**
USPC D6/334-336, 349, 369, 377, 379, 381
CPC A47C 17/00; A47C 17/02; A47C 17/04;
A47C 17/045; A47C 17/12; A47C 17/13;
A47C 17/132; A47C 17/134; A47C
17/136; A47C 17/16; A47C 17/162; A47C
17/17; A47C 17/18; A47C 17/86
See application file for complete search history.

Primary Examiner — Cynthia Ramirez
Assistant Examiner — Xavier Marti-Santos
(74) *Attorney, Agent, or Firm* — Miles & Stockbridge
P.C.; David R. Schaffer

(57) **CLAIM**

The ornamental design for a sofa, as shown and described.

DESCRIPTION

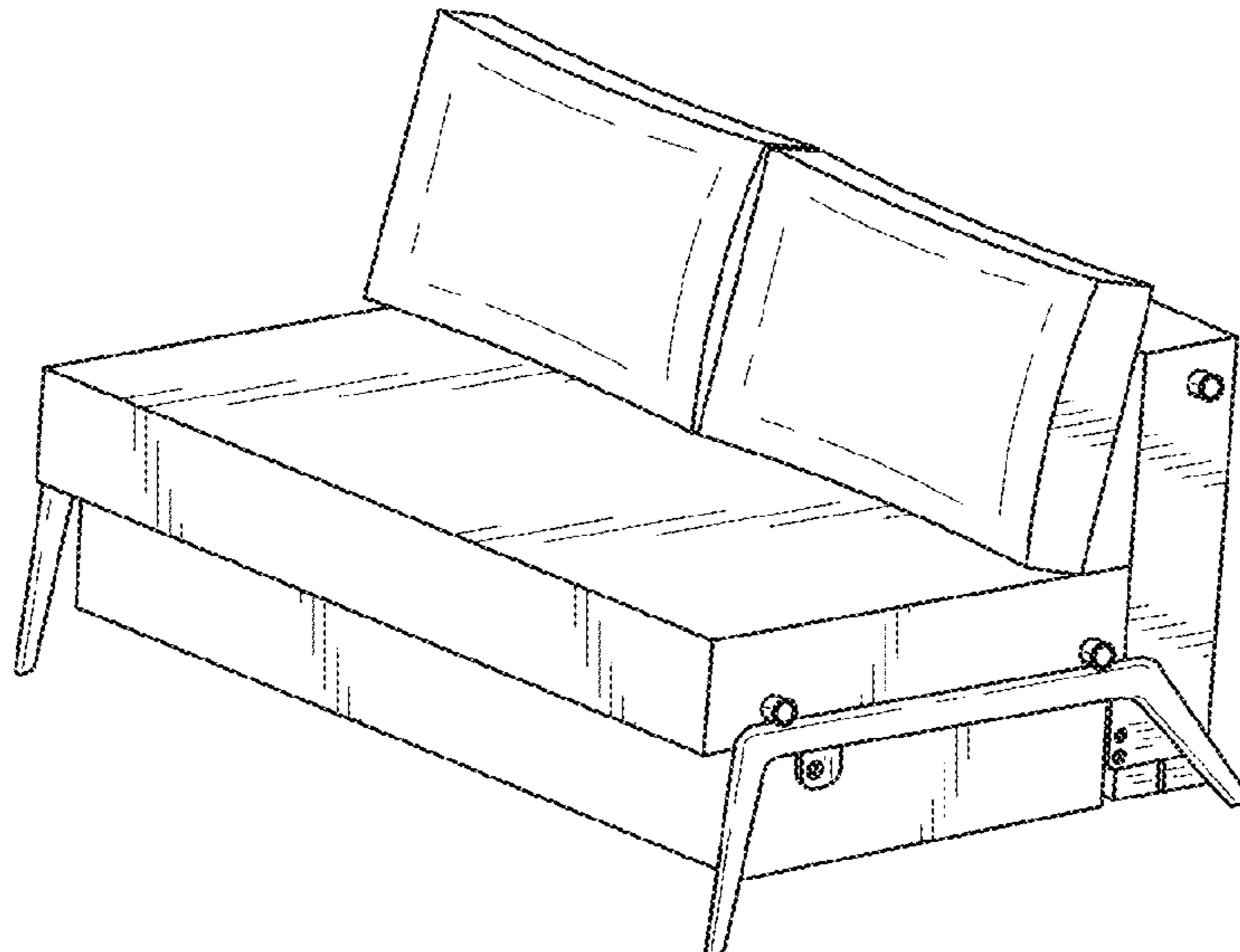
FIG. 1 is a right front perspective view of a sofa showing our new design;
FIG. 2 is a left elevational view thereof, the right side elevation being a mirror image;
FIG. 3 is a top plan view thereof;
FIG. 4 is a rear elevational view thereof;
FIG. 5 is a left rear perspective view thereof;
FIG. 6 is a right front perspective exploded view, shown in the non-reclined position; and,
FIG. 7 is a front elevational view, shown in the non-reclined position thereof.
The elements shown in broken lines illustrate portions of the sofa that form no part of the claimed design.

(56) **References Cited**

U.S. PATENT DOCUMENTS

D174,928 S * 6/1955 Spound D6/379
D573,359 S 7/2008 Weiss
D580,670 S 11/2008 Weiss
D583,585 S 12/2008 Weiss
D591,970 S 5/2009 Weiss

1 Claim, 3 Drawing Sheets



(56)

References Cited

U.S. PATENT DOCUMENTS

D623,869	S	9/2010	Andersen	
D649,366	S	11/2011	Andersen	
D649,367	S	11/2011	Andersen	
RE43,754	E	10/2012	Andersen	
D699,464	S *	2/2014	Andersen D6/381
D811,100	S *	2/2018	Andersen D6/335
D891,129	S *	7/2020	Kanhasamy D6/335
D895,309	S *	9/2020	Andersen D6/335
D905,453	S *	12/2020	Kanhasamy D6/335
D910,323	S *	2/2021	Kanhasamy D6/335

FOREIGN PATENT DOCUMENTS

CA	136171	A	10/1911	
CA	136172	A	10/1911	
MX	34834		12/2010	
MX	34835		12/2010	
WO	WO-2010105622	A1 *	9/2010 A47C 17/165

OTHER PUBLICATIONS

Oliver & Lukas WeissKrogh instagram post [online], [site visited Jul. 28, 2021]. Available from internet, URL: <<https://www.instagram.com/p/BnsvDHoihEX/>> (Year: 2018).*

Cubed [online], [site visited Jul. 28, 2021]. Available from internet, URL: <<https://weisskrogh.com/cubed>> (Year: 2014).*

Innovation Living Collection Catalog 2018/19; Expand Your Living Space; 11 pages, innovationliving.com, published in High Point Apr. 11, 2018 and distributed to all retailers from May 2018.

* cited by examiner

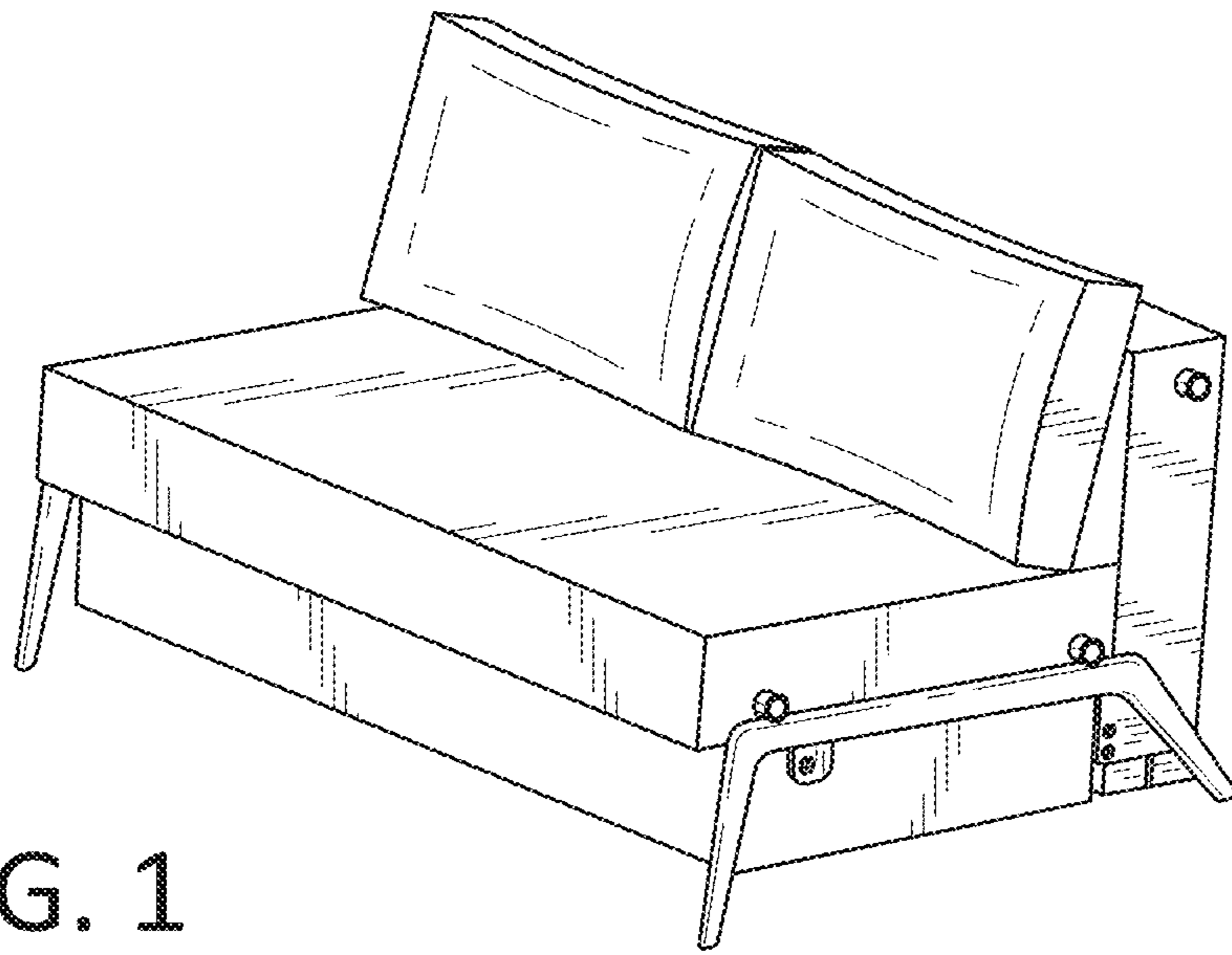


FIG. 1

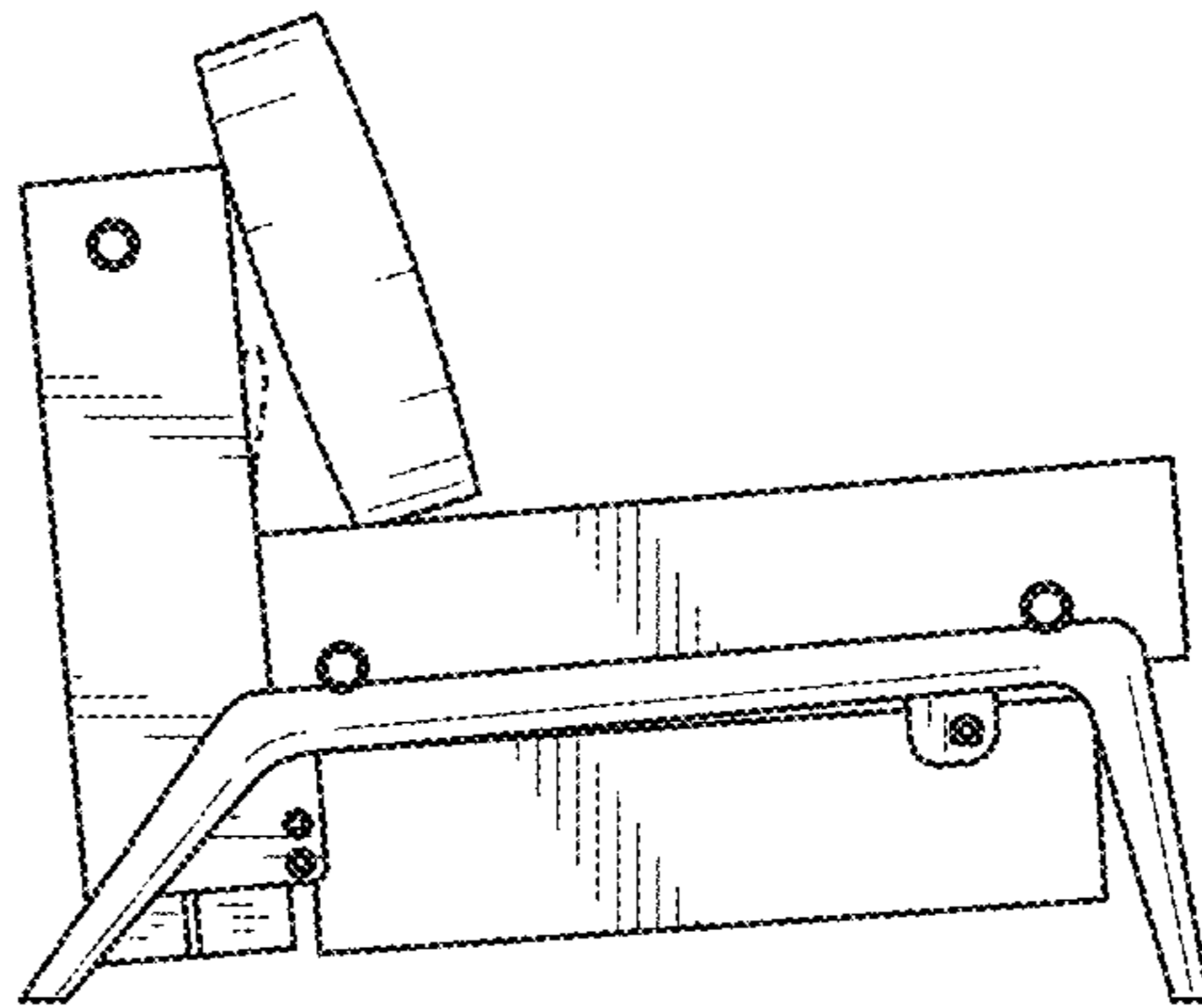


FIG. 2

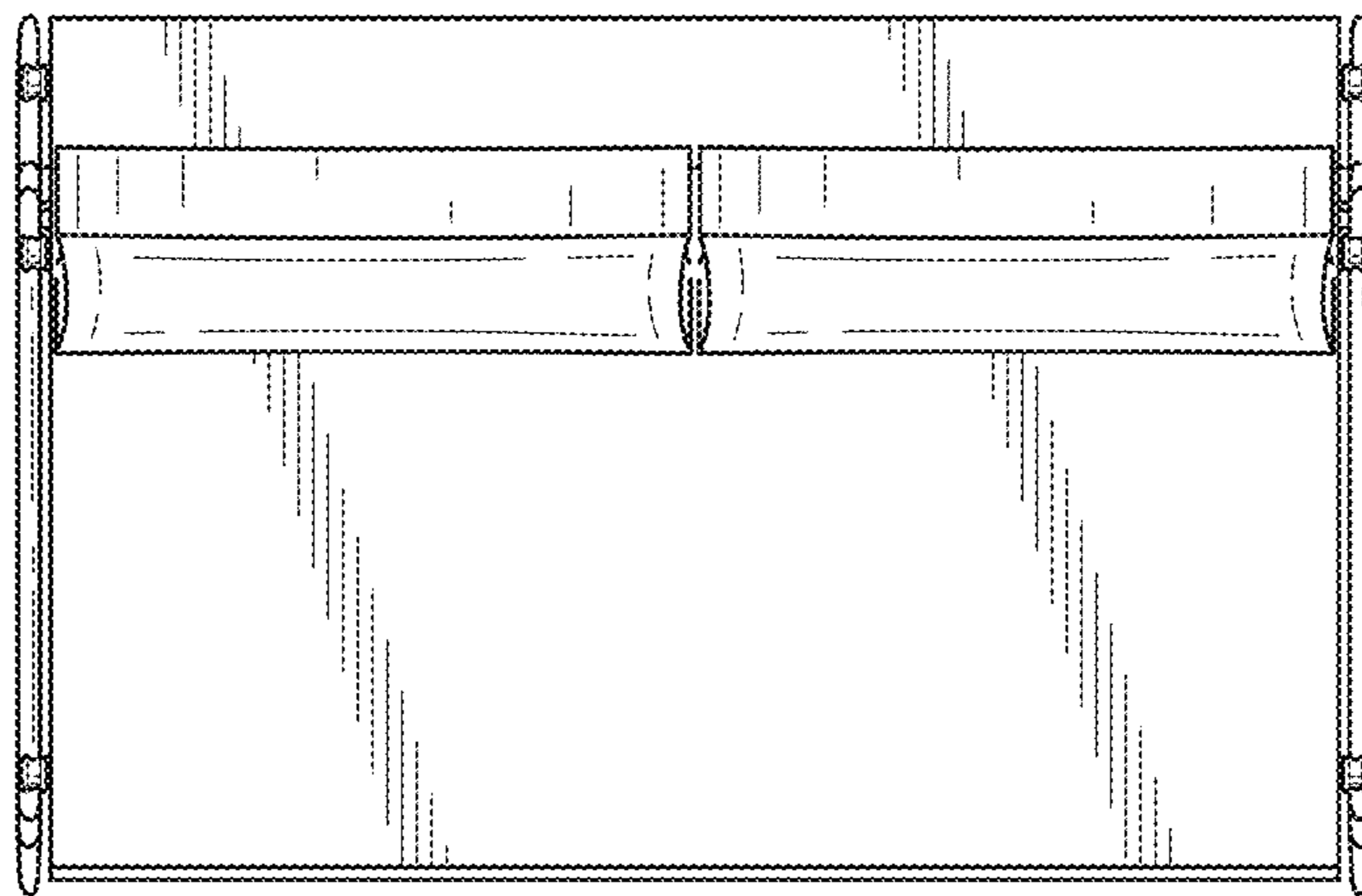


FIG. 3

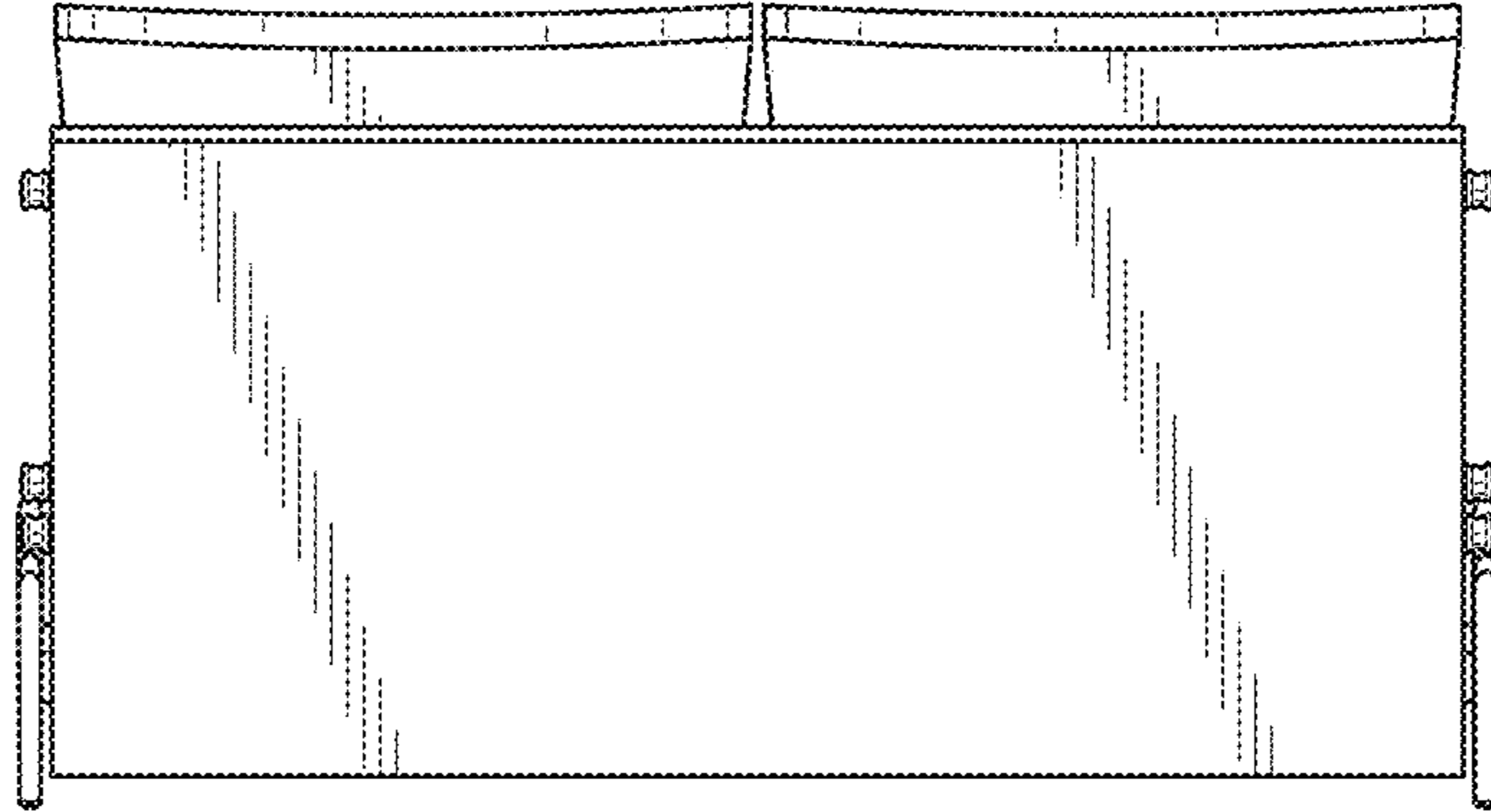


FIG. 4

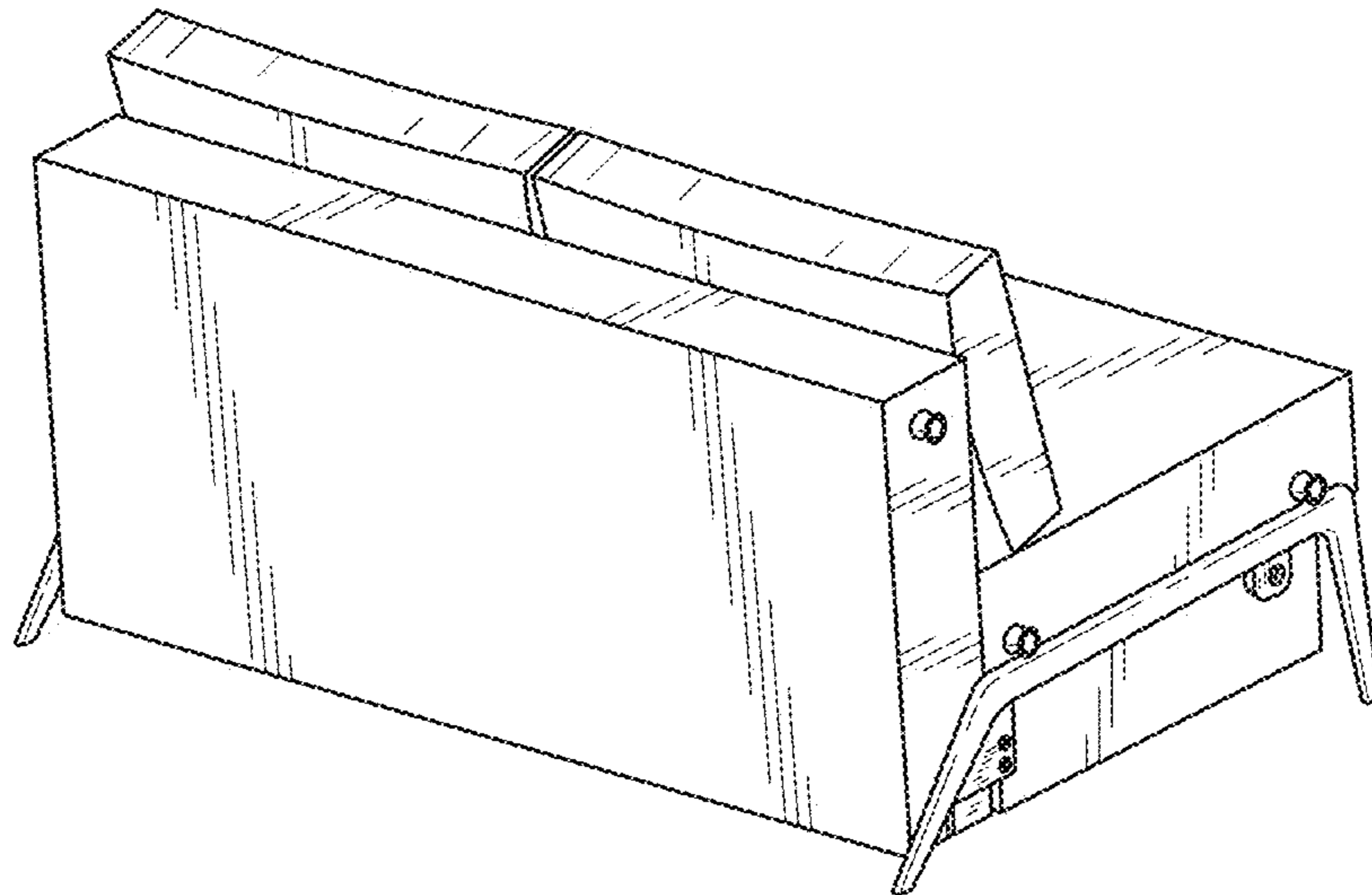


FIG. 5

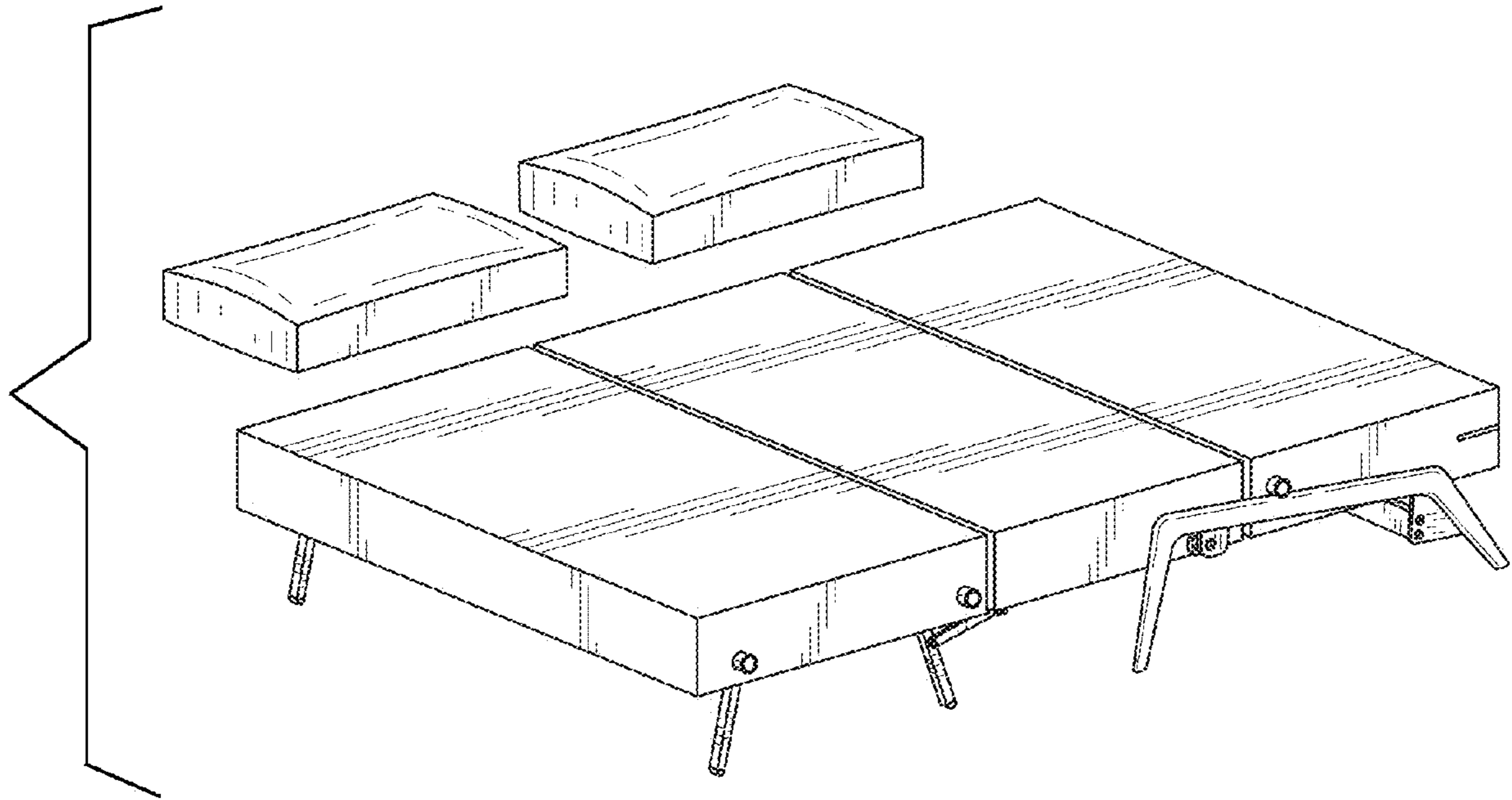


FIG. 6

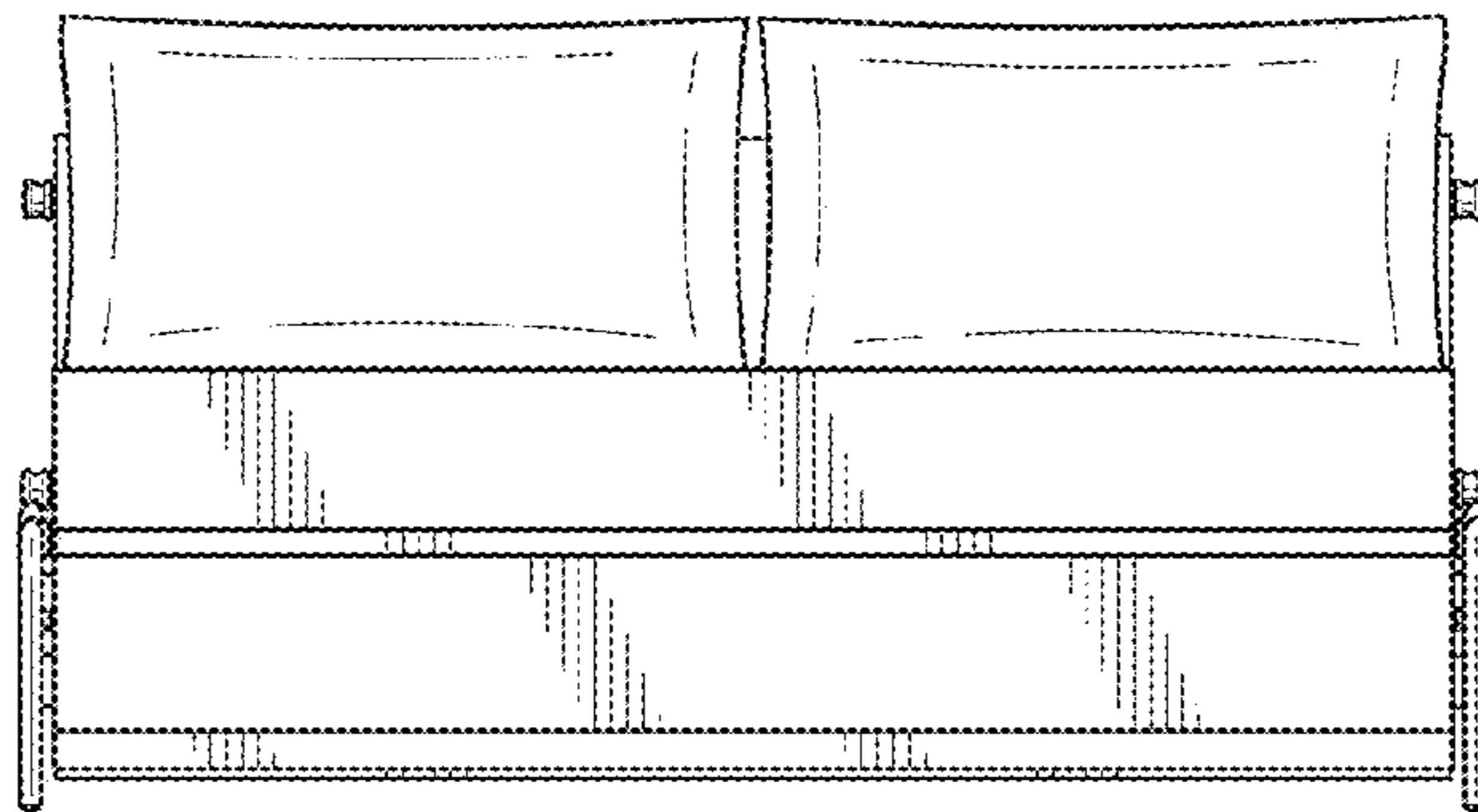


FIG. 7