



US00D968828S

(12) **United States Design Patent** (10) **Patent No.:** **US D968,828 S**
Kuang (45) **Date of Patent:** **** Nov. 8, 2022**

(54) **BATHROOM ACCESSORY**

(71) Applicant: **ShunQiao Kuang**, Jiangmen (CN)

(72) Inventor: **ShunQiao Kuang**, Jiangmen (CN)

(**) Term: **15 Years**

(21) Appl. No.: **29/737,399**

(22) Filed: **Jun. 9, 2020**

(51) **LOC (13) Cl.** **06-08**

(52) **U.S. Cl.**
USPC **D6/323; D6/524**

(58) **Field of Classification Search**
USPC D6/323, 518, 522-524, 546-550;
D8/300, 307-308, 315-320
CPC E04B 1/00; E04F 11/18; A47K 10/10
See application file for complete search history.

(56) **References Cited**

U.S. PATENT DOCUMENTS

D330,636 S *	11/1992	Sharpe	D8/367
D442,073 S *	5/2001	Lyndon	D8/358
D450,212 S *	11/2001	Gottwald	D6/549
D450,509 S *	11/2001	Gottwald	D6/546
D450,566 S *	11/2001	Gottwald	D8/367
6,430,759 B1 *	8/2002	Beltran	A47K 10/10 248/251
D463,935 S *	10/2002	Zhao	D6/549
D463,938 S *	10/2002	Lee Wang	D6/524
D466,349 S *	12/2002	Tai	D6/550
D504,309 S *	4/2005	Fuchs	D8/367
D521,291 S *	5/2006	Ferrer Beltran	D6/546
D523,273 S *	6/2006	Ferrer Beltran	D6/546
D556,484 S *	12/2007	Bender	D6/528
D580,186 S *	11/2008	Krumpe	D6/323
D600,960 S *	9/2009	Krumpe	D6/546
D630,027 S *	1/2011	Romero	D6/323

D640,078 S *	6/2011	Gilbert	D6/524
D651,693 S *	1/2012	Flowers	D23/254
D655,547 S *	3/2012	Domanski	D6/524

(Continued)

OTHER PUBLICATIONS

WOWOW_WidespreadFaucet, available in Amazon.ca, date first available Jul. 25, 2019 [online], Retrieved on Jan. 28, 2022 from URL: <https://www.amazon.ca/WOWOW-Handles-Widespread-Bathroom-Lavatory/dp/B07V2DNGGP/> (Year: 2019).*
(Continued)

Primary Examiner — Vy N Koenig
Assistant Examiner — Michelle M Reeves

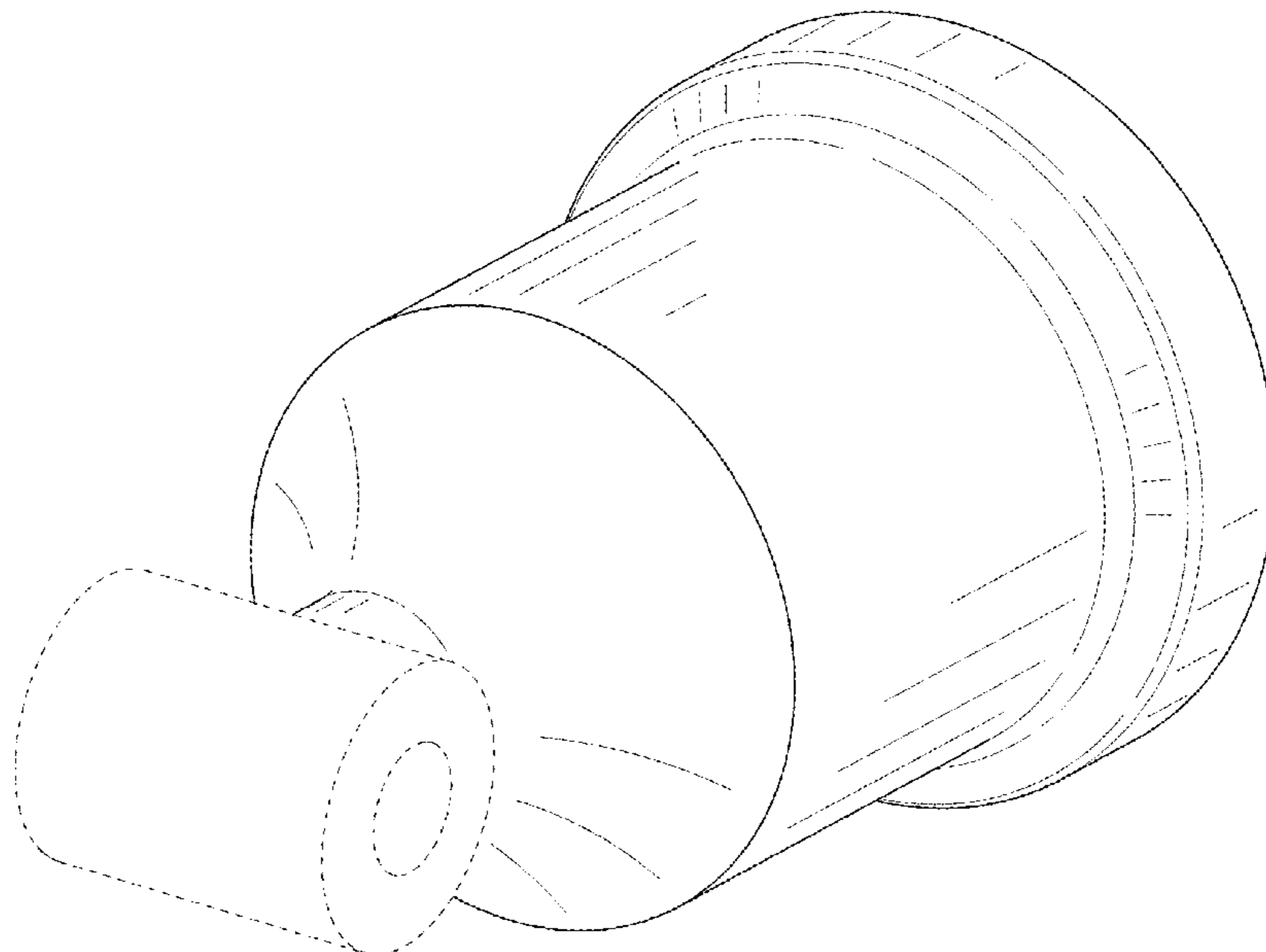
(57) **CLAIM**

The ornamental design for a bathroom accessory, as shown and described.

DESCRIPTION

FIG. 1 is a perspective view of a bathroom accessory showing my new design;
FIG. 2 is a front view thereof;
FIG. 3 is a back view thereof;
FIG. 4 is a left side view thereof;
FIG. 5 is a right side view thereof;
FIG. 6 is a top view thereof;
FIG. 7 is a bottom view thereof;
FIG. 8 is a perspective view of the bathroom accessory of FIG. 1, shown in a different environment of use;
FIG. 9 is a perspective view of the bathroom accessory of FIG. 1, shown in another different environment of use;
FIG. 10 is a perspective view of the bathroom accessory of FIG. 1, shown in another different environment of use; and,
FIG. 11 is a perspective view of the bathroom accessory of FIG. 1, shown in another different environment of use.
The broken lines shown in the drawings depict portions of the bathroom accessory in which the design is embodied that form no part of the claimed design.

1 Claim, 11 Drawing Sheets



(56)

References Cited

U.S. PATENT DOCUMENTS

D699,970 S * 2/2014 Sedwick D6/524
D713,651 S * 9/2014 Gilbert D6/524
D717,550 S * 11/2014 Harden D6/323
9,271,615 B1 * 3/2016 Stephens A47K 10/10
D841,343 S * 2/2019 Garland D6/323
D856,008 S * 8/2019 Garland D6/323
D865,495 S * 11/2019 Bahler D8/367
D897,723 S * 10/2020 Sisto D6/549
D898,411 S * 10/2020 Sisto D6/524
2014/0138505 A1 * 5/2014 Maclaren-Taylor ... A47K 10/10
248/231.61

OTHER PUBLICATIONS

Concord Bathroom Hardware Set, available in Amazon.com, date first available Feb. 11, 2019 [online], Retrieved on Feb. 2, 2022 from URL: <https://www.amazon.com/Kingston-Brass-BAH8212478MB-Bathroom-Accessory/dp/B07P84HTN3> (Year: 2019).*

* cited by examiner

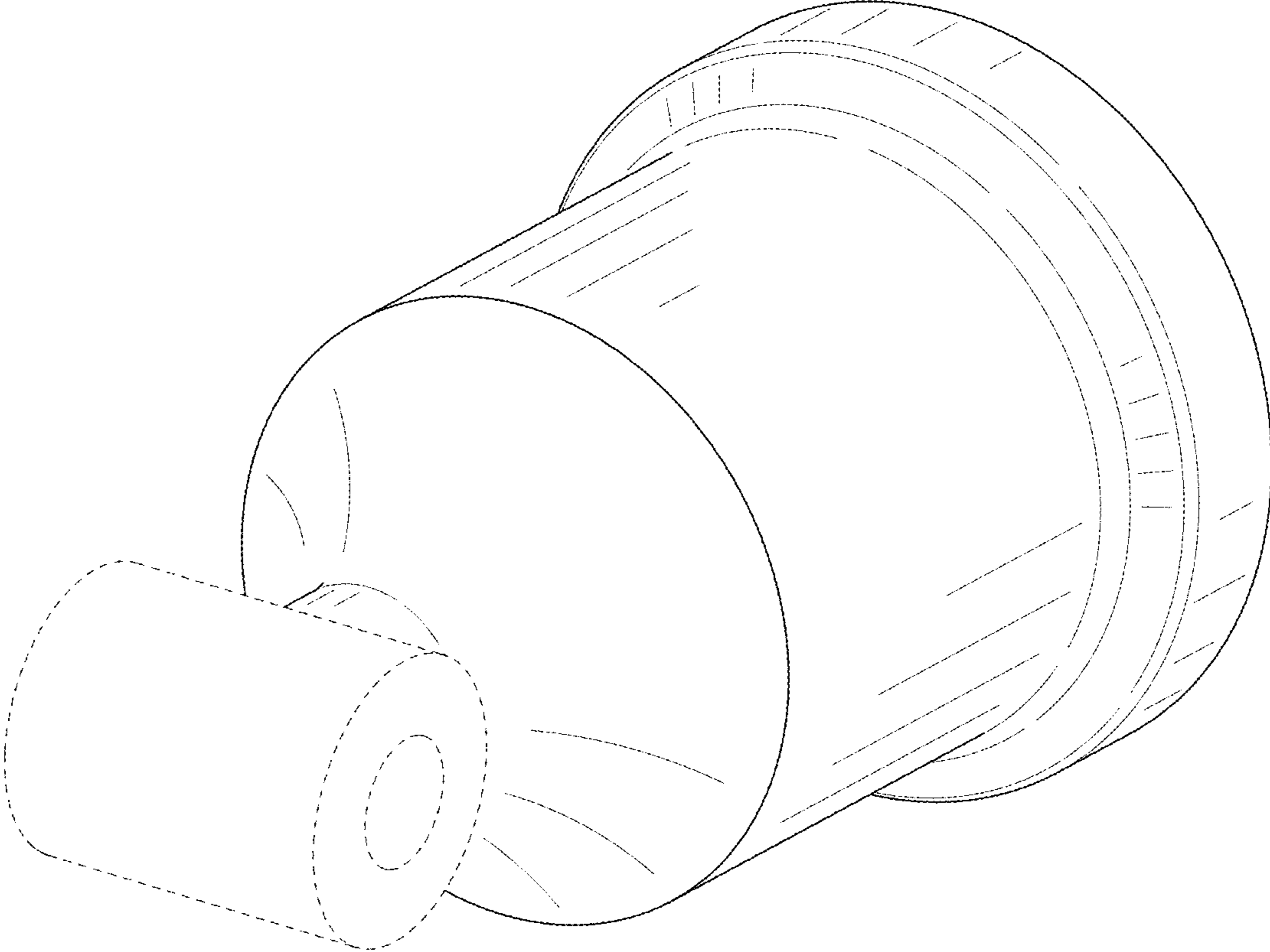


FIG. 1

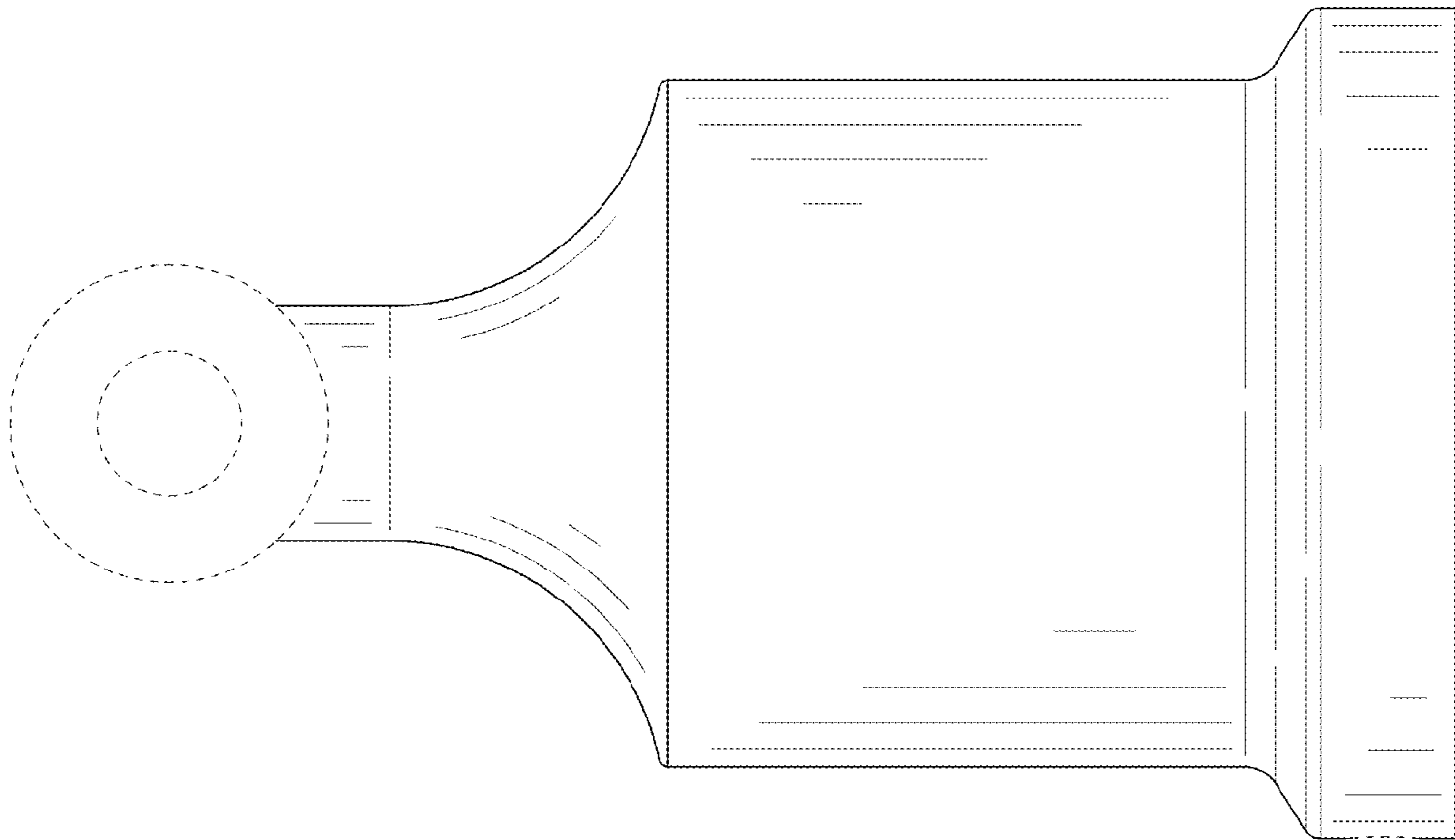


FIG. 2

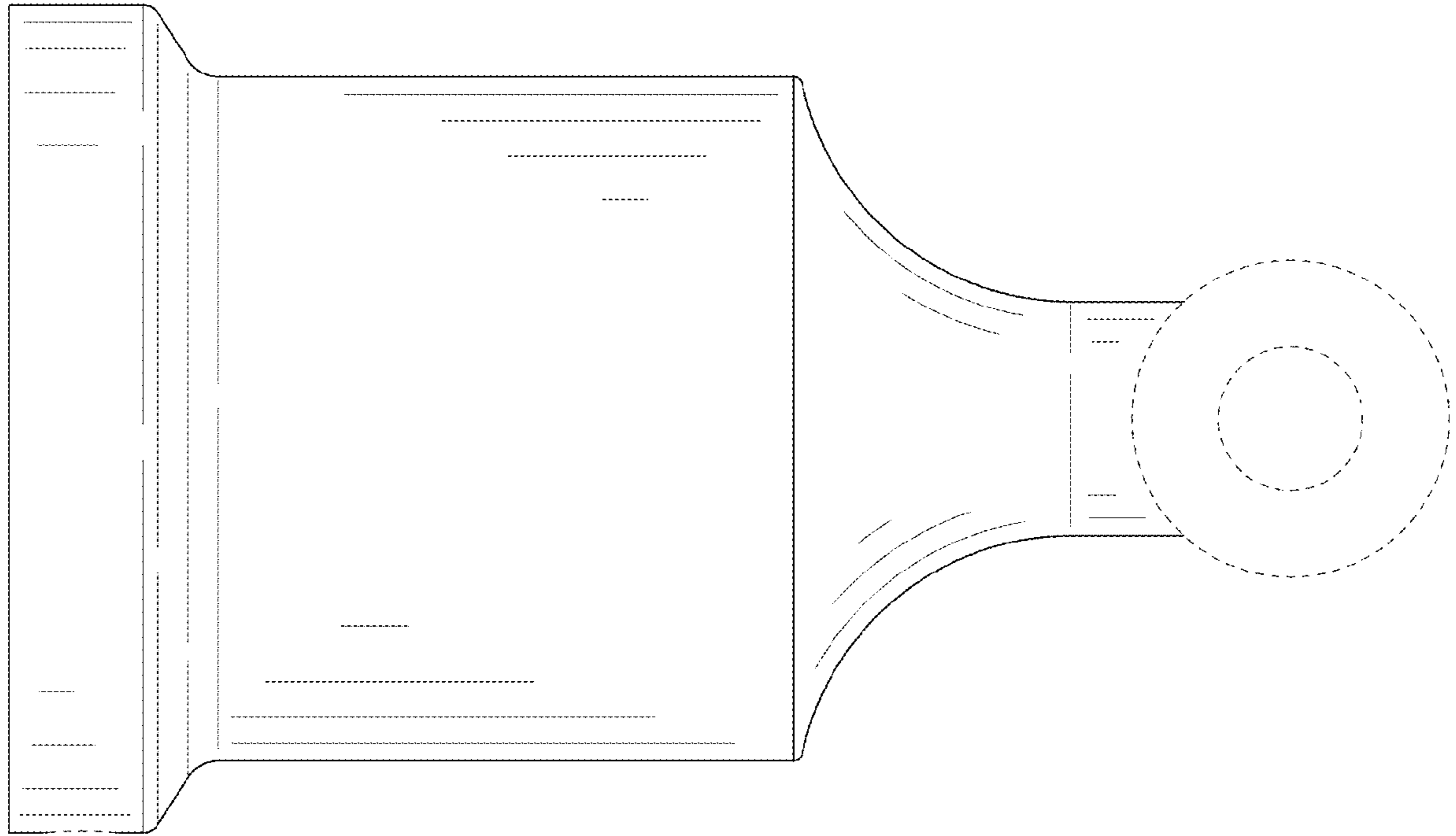


FIG. 3

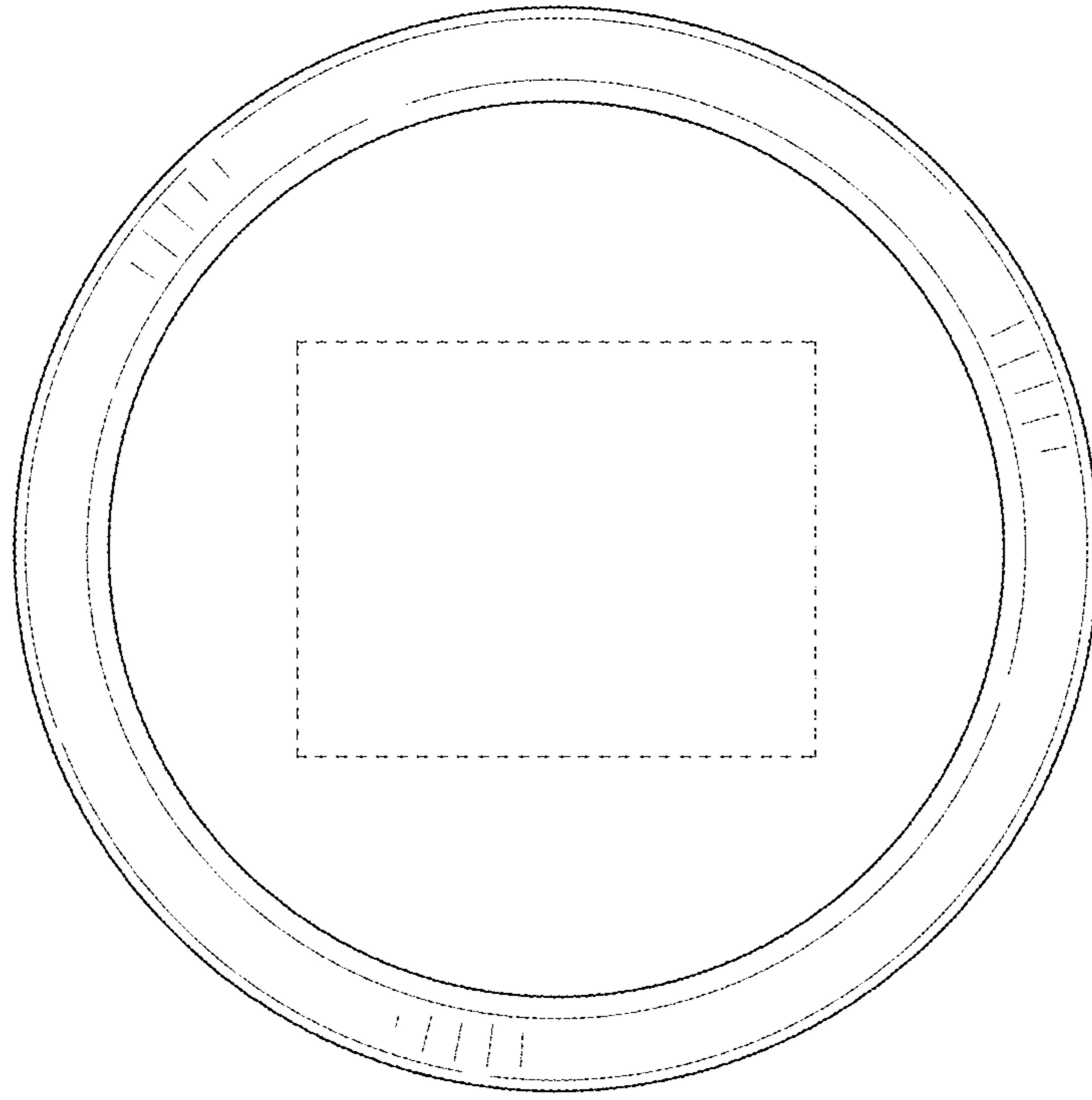


FIG. 4

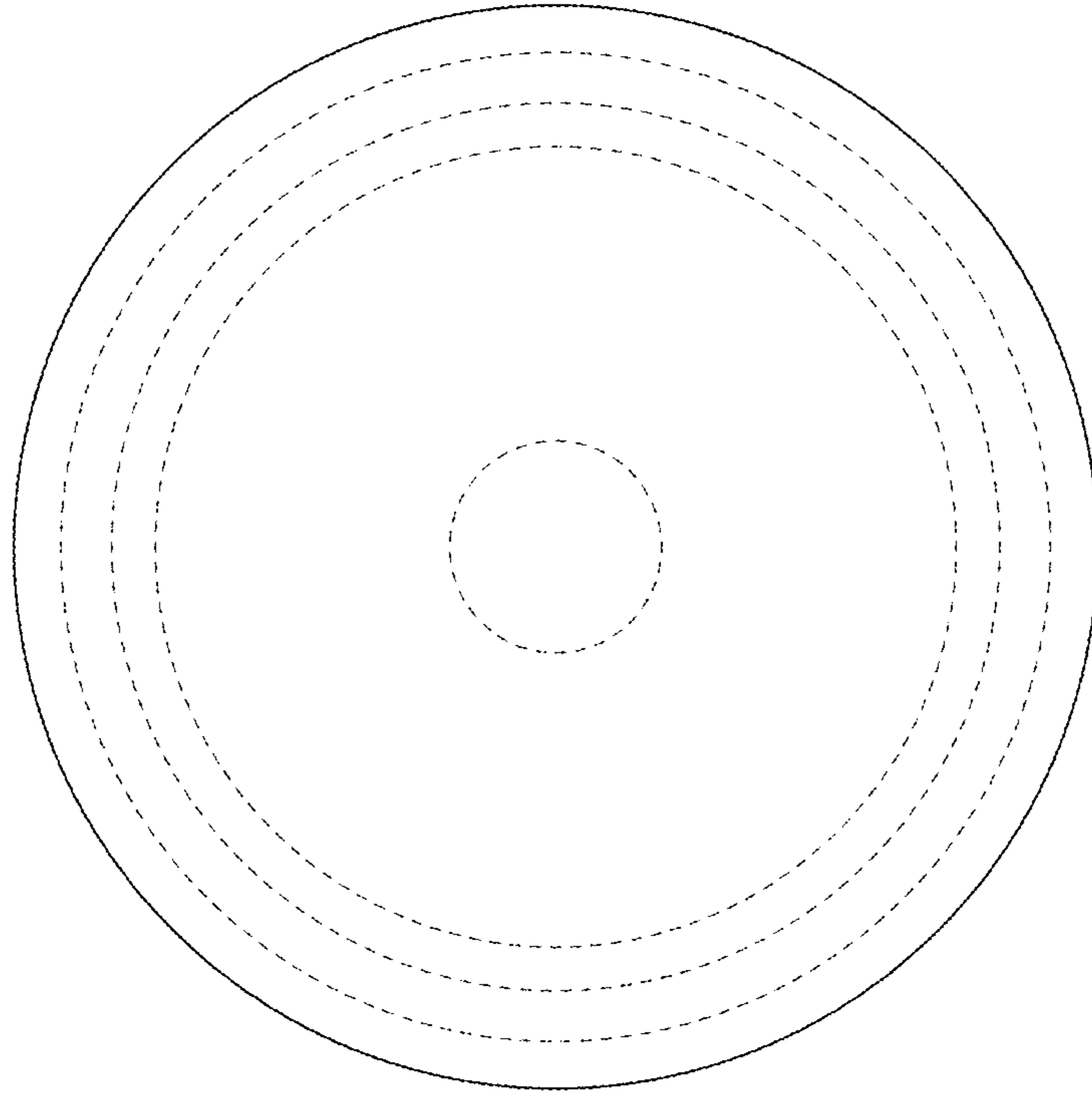


FIG. 5

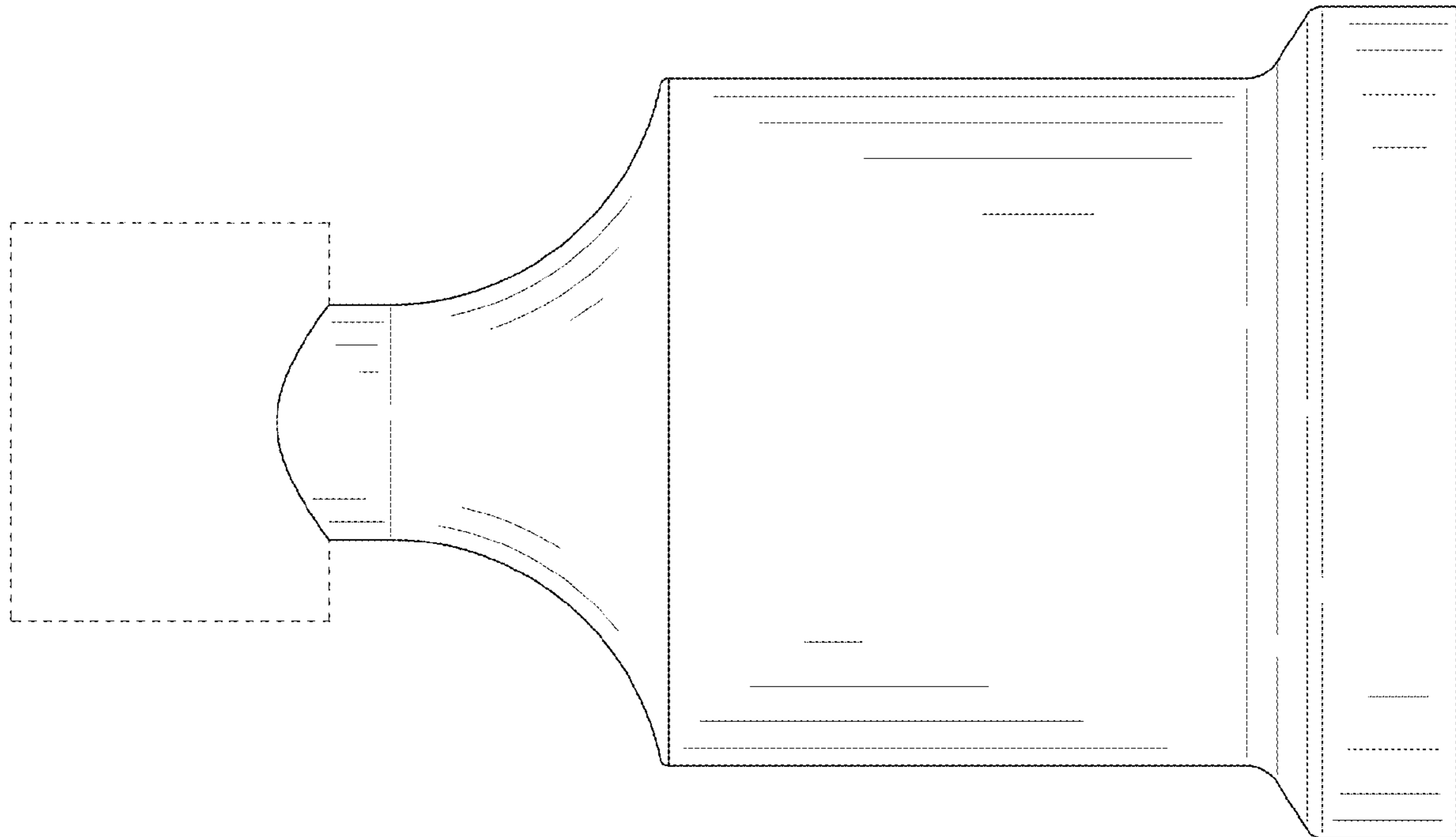


FIG. 6

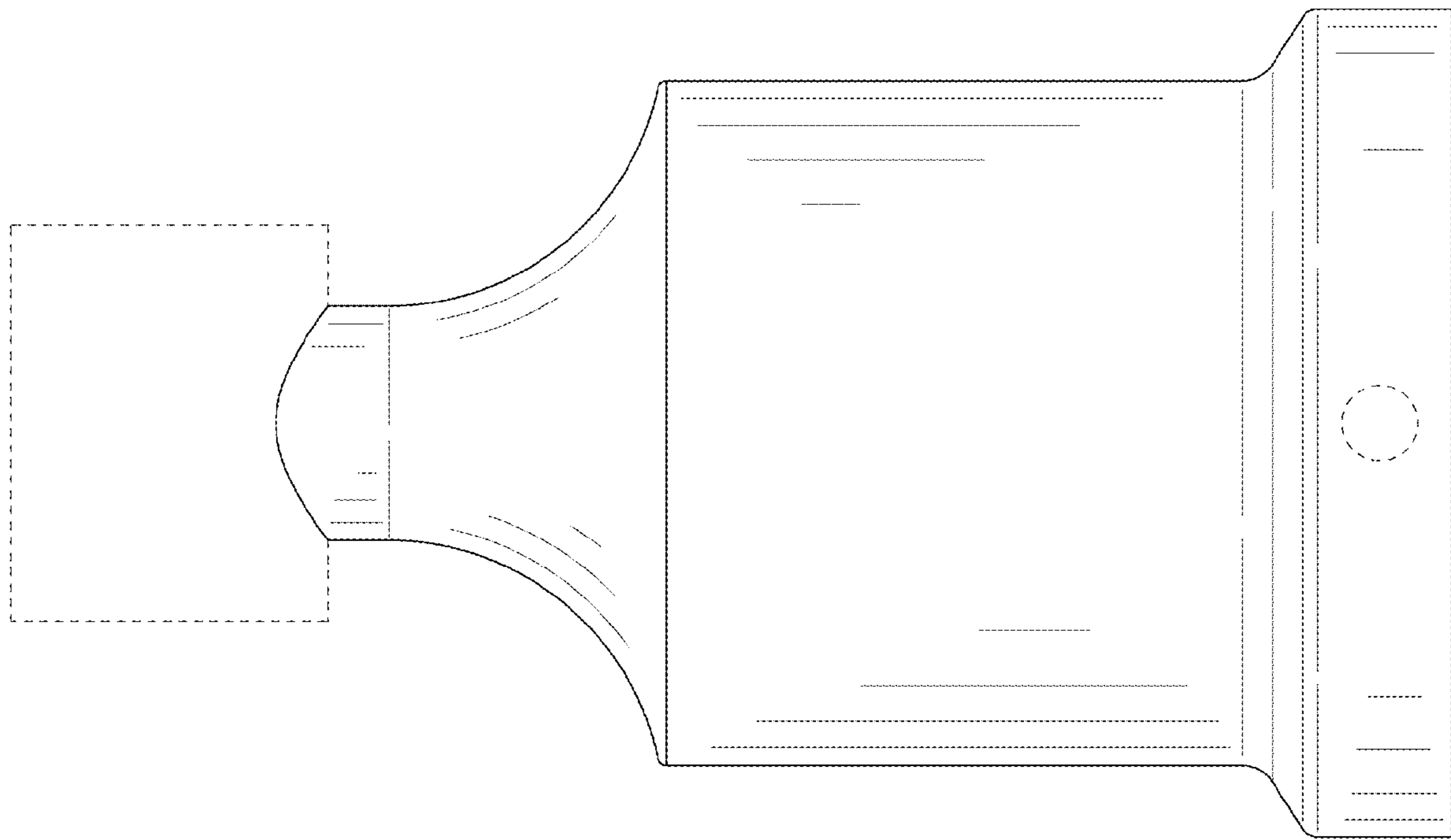


FIG. 7

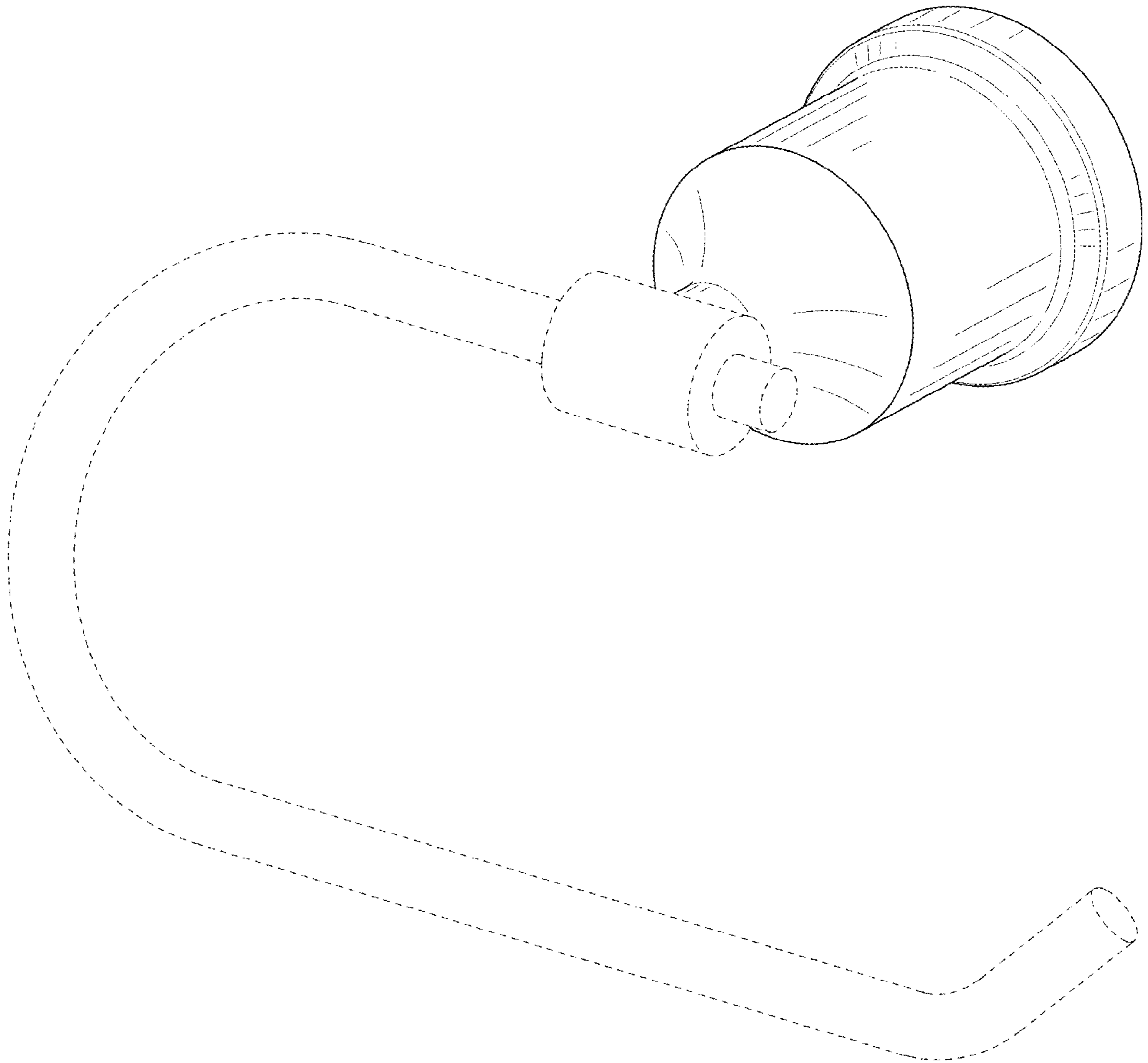


FIG. 8

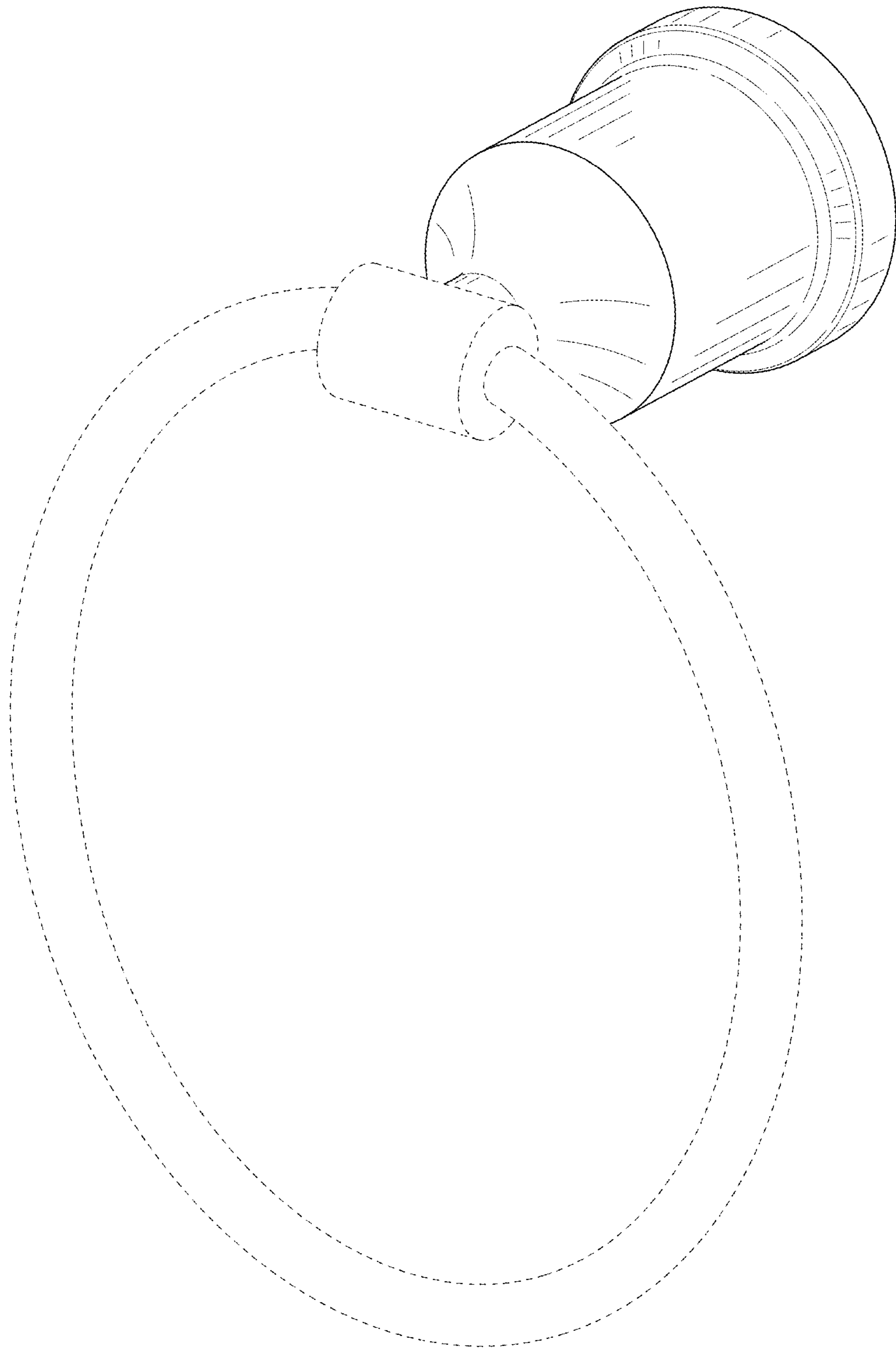


FIG. 9

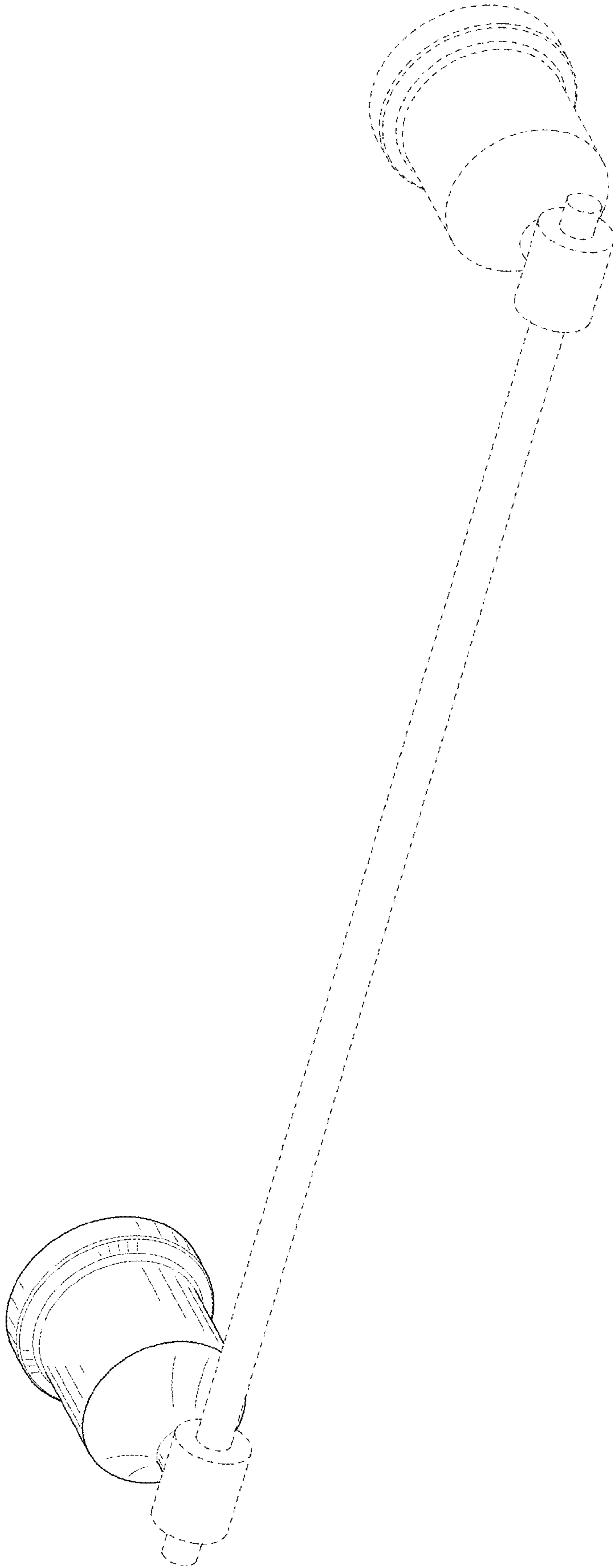


FIG. 10

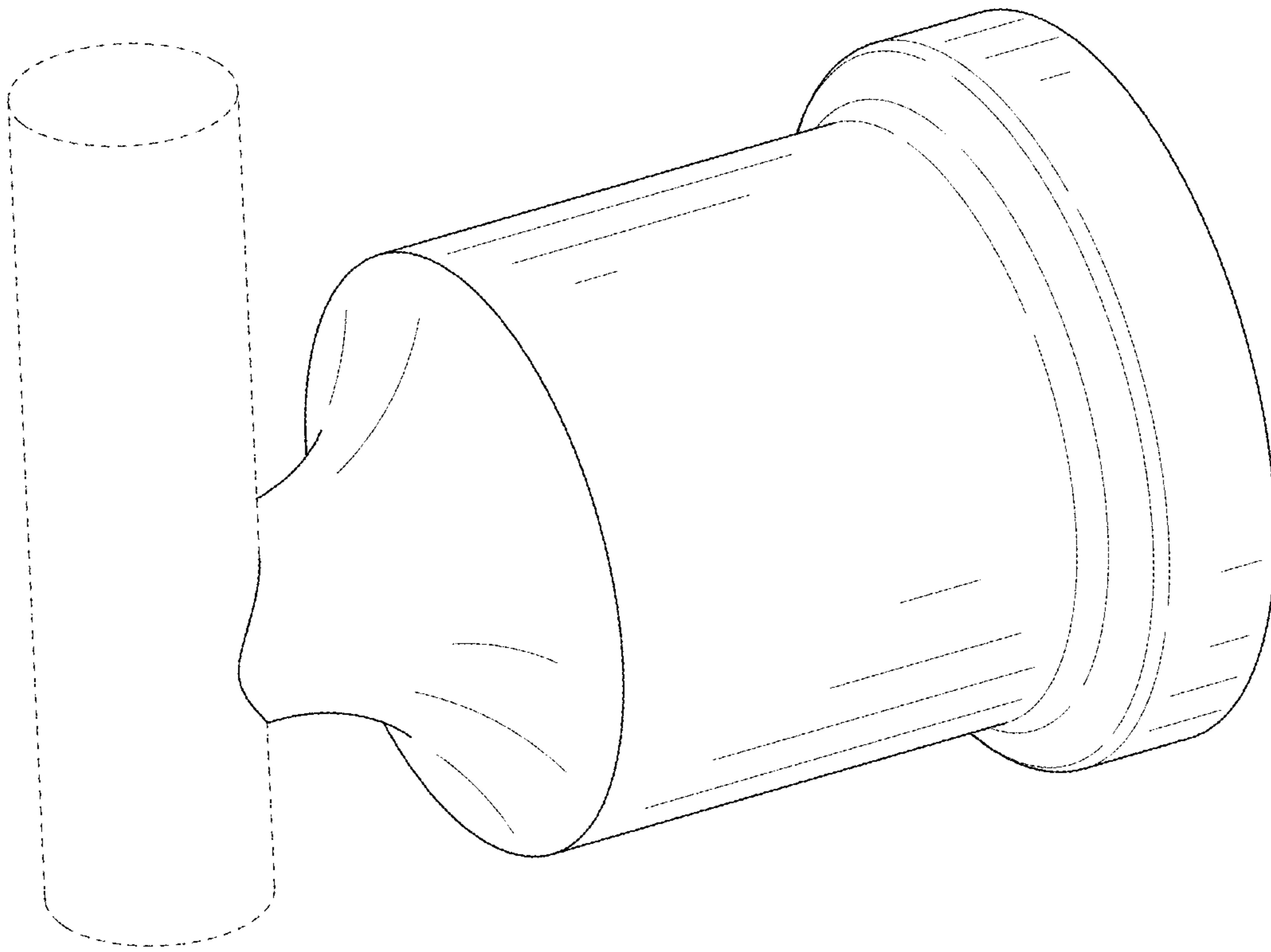


FIG. 11