



US00D968826S

(12) **United States Design Patent**
Cho

(10) **Patent No.:** **US D968,826 S**

(45) **Date of Patent:** **** Nov. 8, 2022**

(54) **SWIMMING GEAR HANGER**

(71) Applicant: **Neulhae Cho**, Seoul (KR)

(72) Inventor: **Neulhae Cho**, Seoul (KR)

(**) Term: **15 Years**

(21) Appl. No.: **29/775,505**

(22) Filed: **Mar. 24, 2021**

(51) **LOC (13) Cl.** **06-08**

(52) **U.S. Cl.**
USPC **D6/319; D6/315**

(58) **Field of Classification Search**
USPC D6/315-328
CPC A47G 25/14; A47G 25/28; A47G 25/26;
A47G 25/30; A47G 25/36; A47G 25/50;
A47G 25/442; A47G 25/483; A47G
25/743; A47G 25/4023; A47F 5/0006
See application file for complete search history.

(56) **References Cited**

U.S. PATENT DOCUMENTS

- D87,707 S * 9/1932 Bernat 223/92
- 2,061,704 A * 11/1936 Israelson A47G 25/24
223/88
- D204,176 S * 3/1966 Zuckerman D6/319
- 3,249,270 A * 5/1966 Zuckerman A47G 25/28
223/91
- D212,177 S * 9/1968 Bialo D6/319

- 4,346,825 A * 8/1982 Leger A47G 25/10
223/66
- D297,484 S * 9/1988 Fan D6/315
- 4,932,571 A * 6/1990 Blanchard A47G 25/16
223/89
- D531,418 S * 11/2006 Williams D6/326
- D772,585 S * 11/2016 Leigh D6/319
- D905,450 S * 12/2020 Harding D6/315
- 11,071,402 B2 * 7/2021 Yau A47G 25/10
- D930,372 S * 9/2021 Cho D6/315

* cited by examiner

Primary Examiner — Lauren R Calve

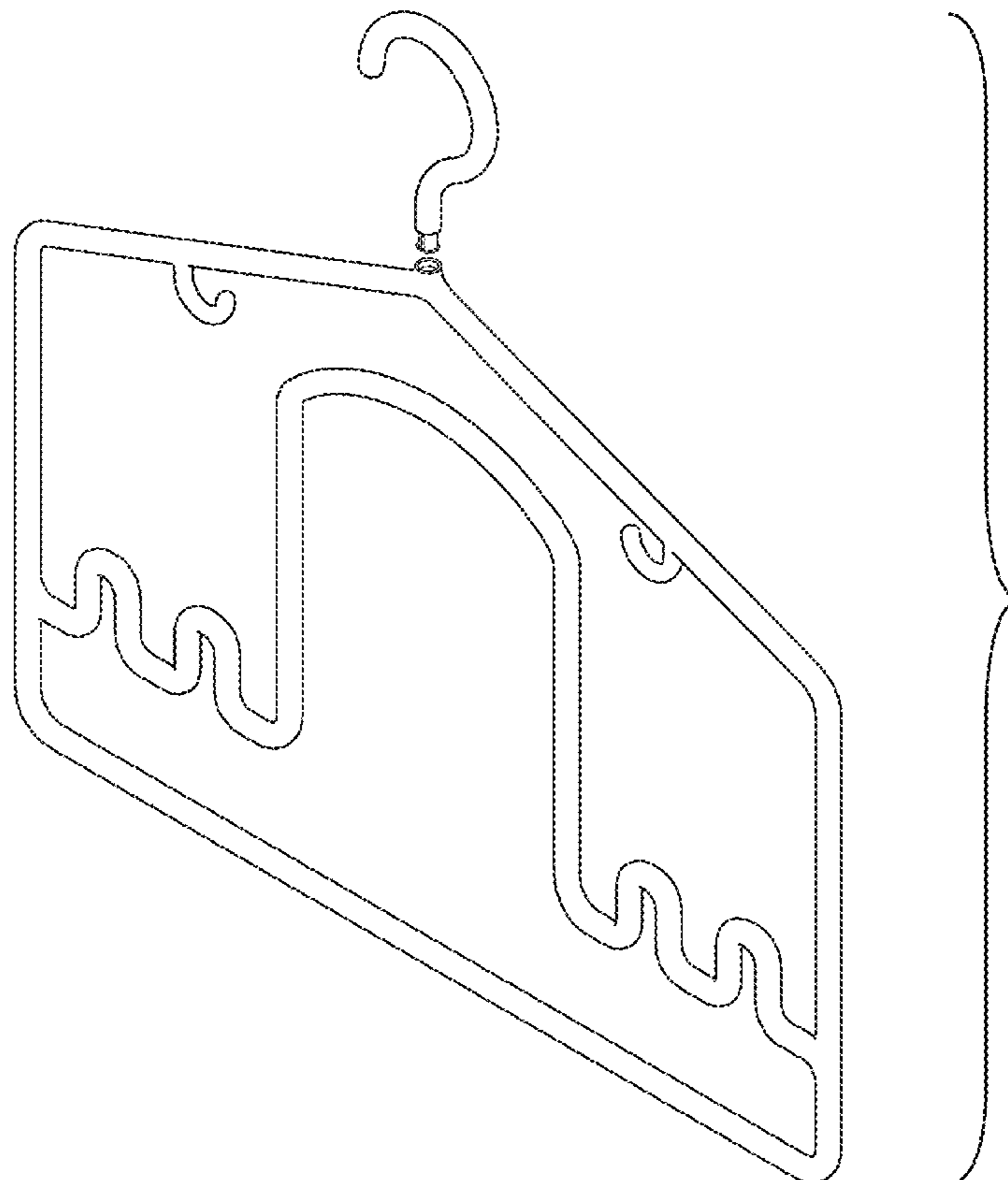
(57) **CLAIM**

The ornamental design for a swimming gear hanger, as shown and described.

DESCRIPTION

FIG. 1 is an exploded perspective view of a swimming gear hanger of the present invention.
 FIG. 2 is an exploded front view of FIG. 1.
 FIG. 3 is an exploded rear view of FIG. 1.
 FIG. 4 is an exploded left side view of FIG. 1.
 FIG. 5 is an exploded right side view of FIG. 1.
 FIG. 6 is a top view of the swimming gear hanger.
 FIG. 7 is a bottom view thereof.
 FIG. 8 is a perspective view thereof; and,
 FIG. 9 is a front view thereof shown in use.
 The broken lines shown in FIG. 9 are for illustrative purposes only and form no part of the claimed design.

1 Claim, 9 Drawing Sheets



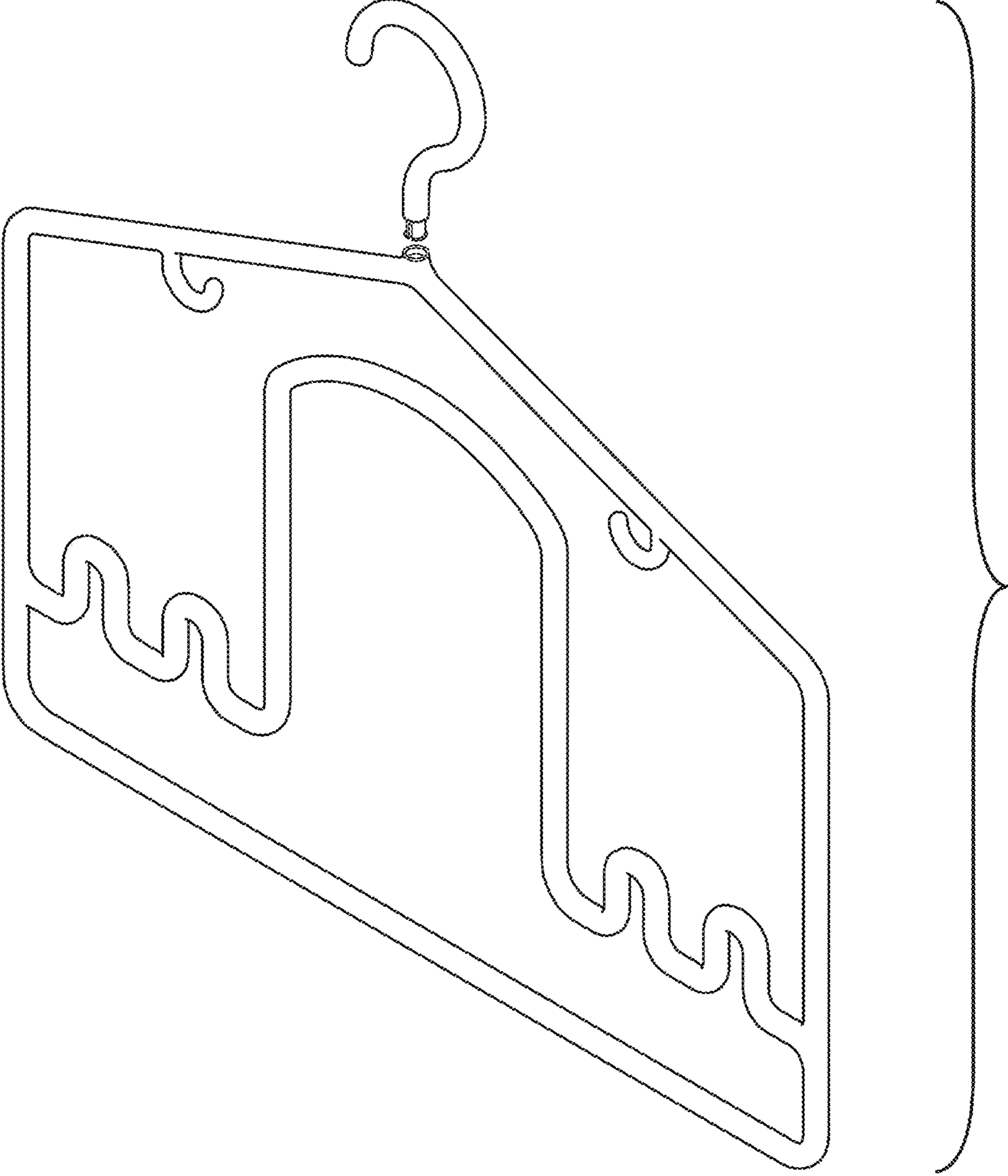


FIG. 1

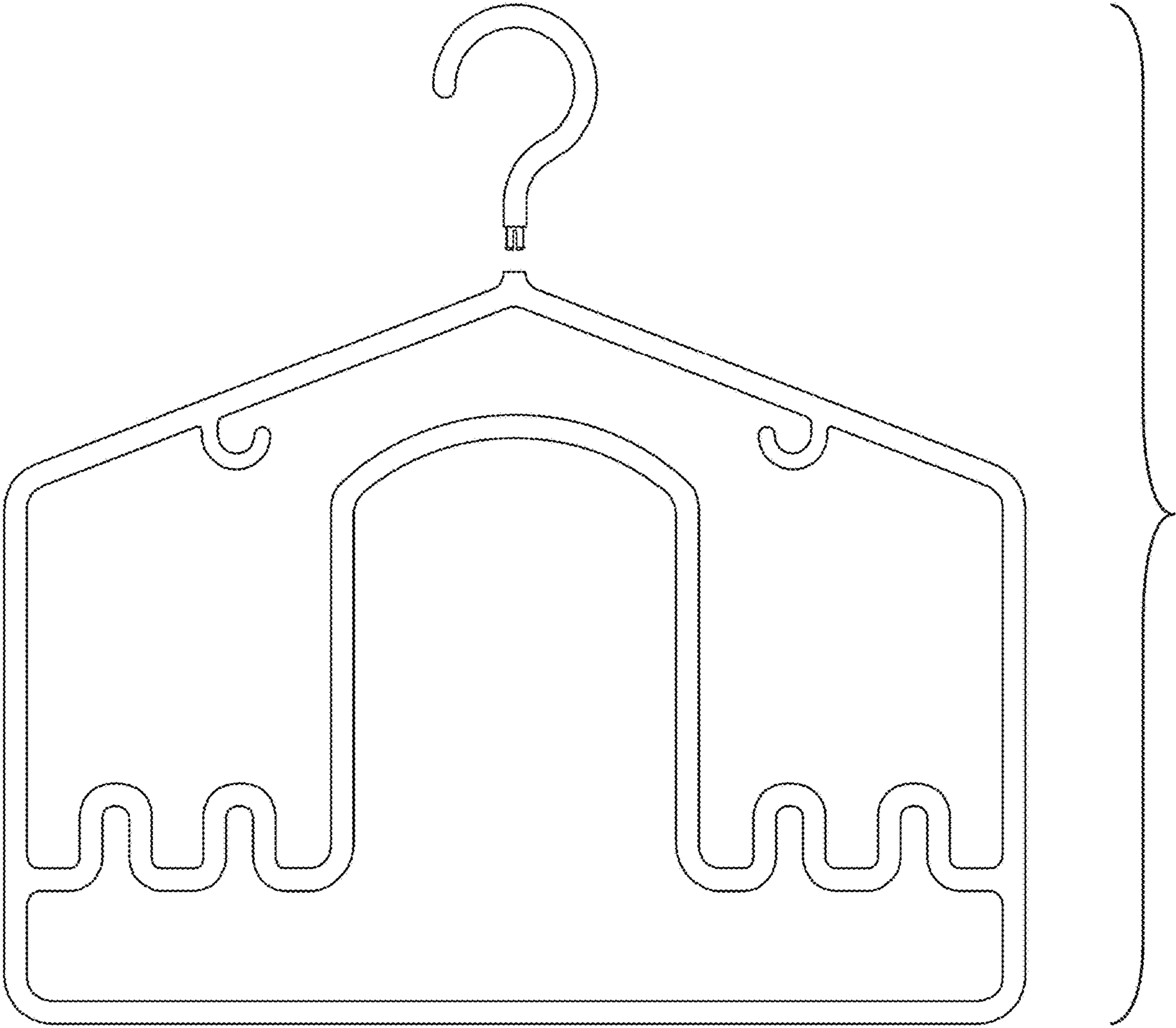


FIG. 2

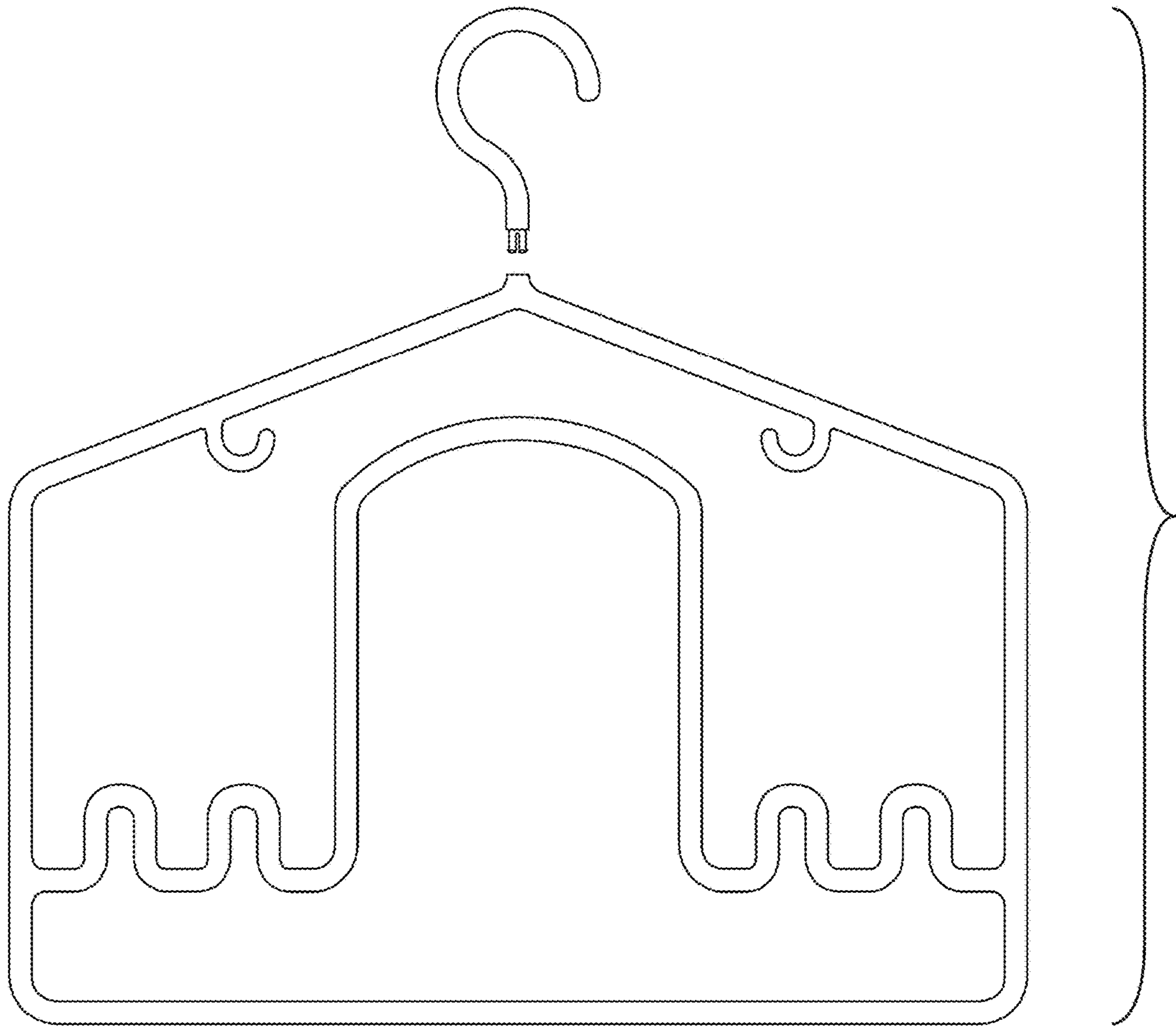


FIG. 3

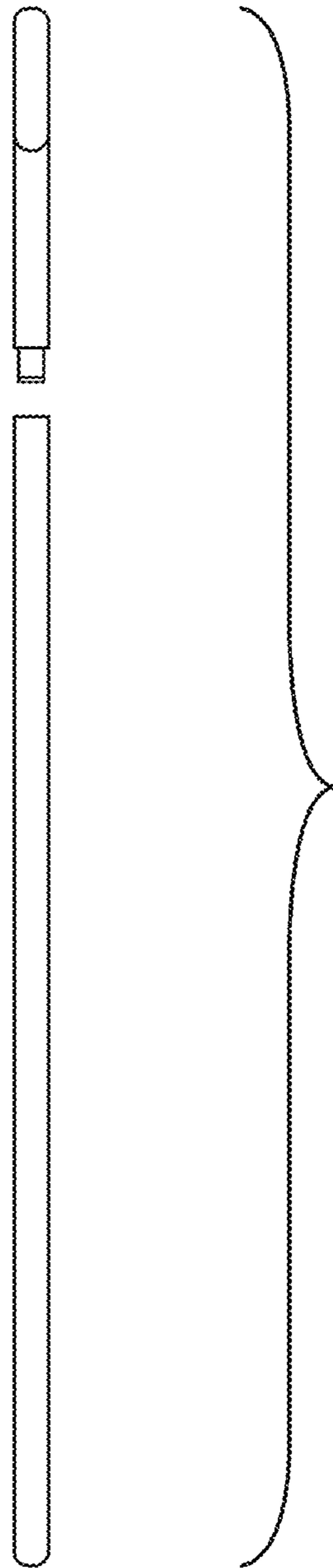


FIG. 4

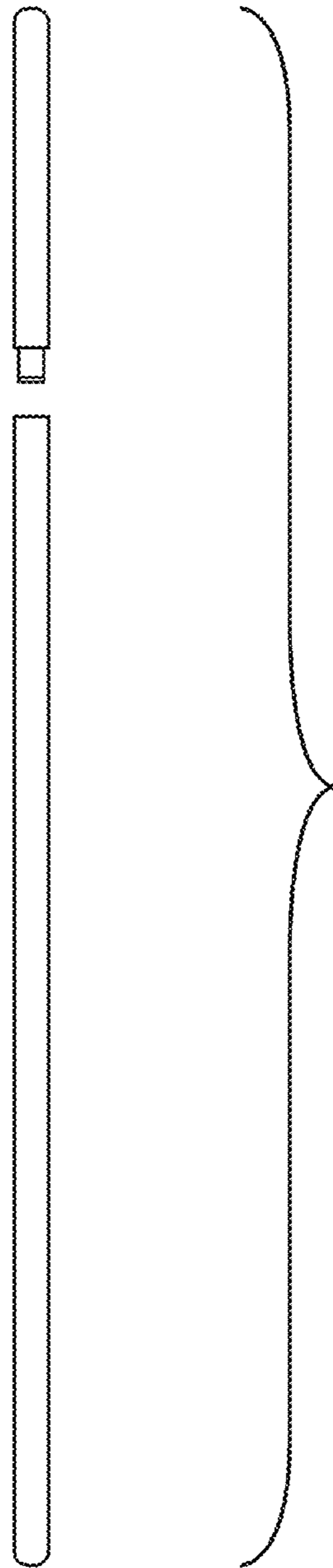


FIG. 5



FIG. 6



FIG. 7

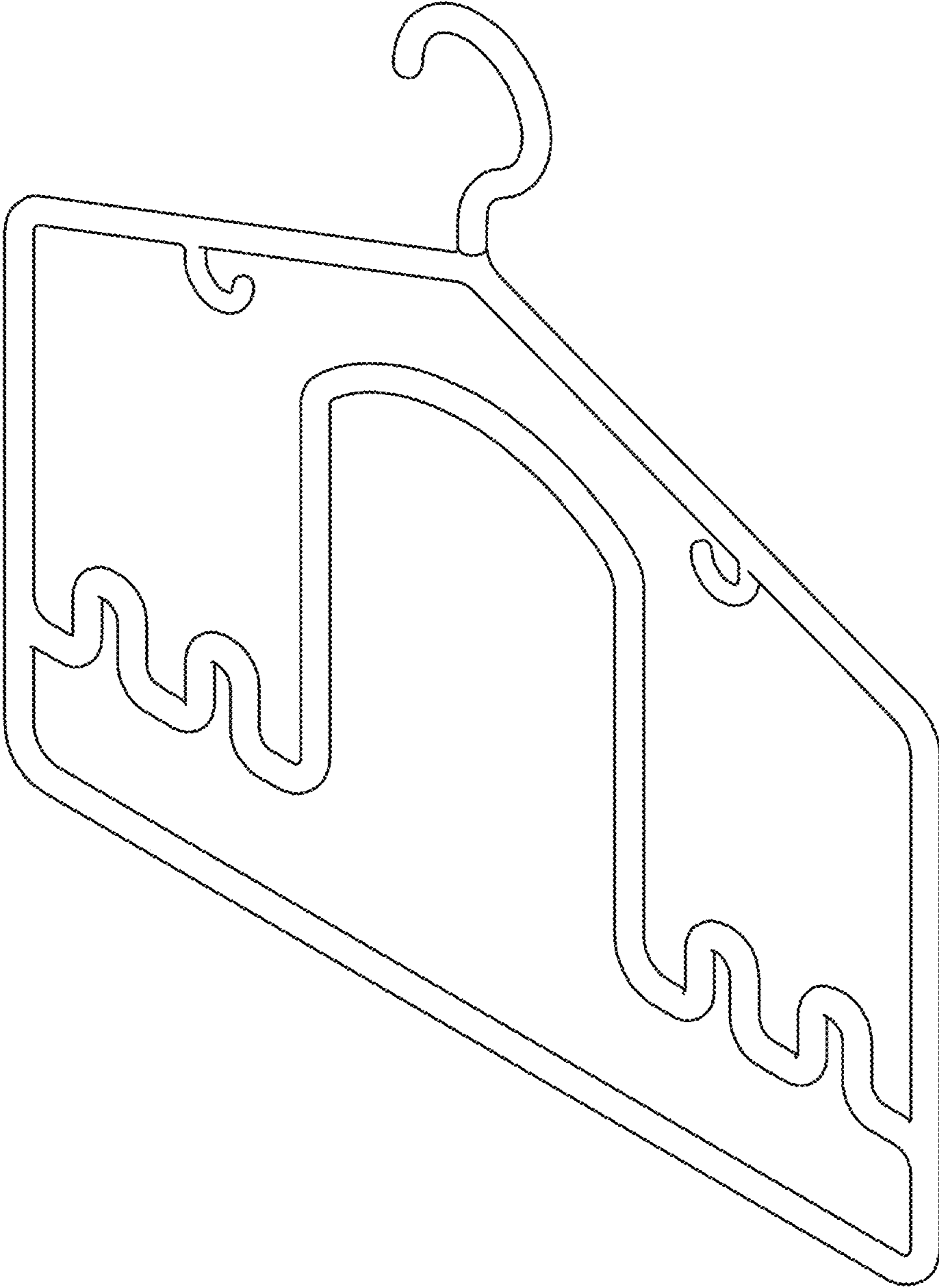


FIG. 8

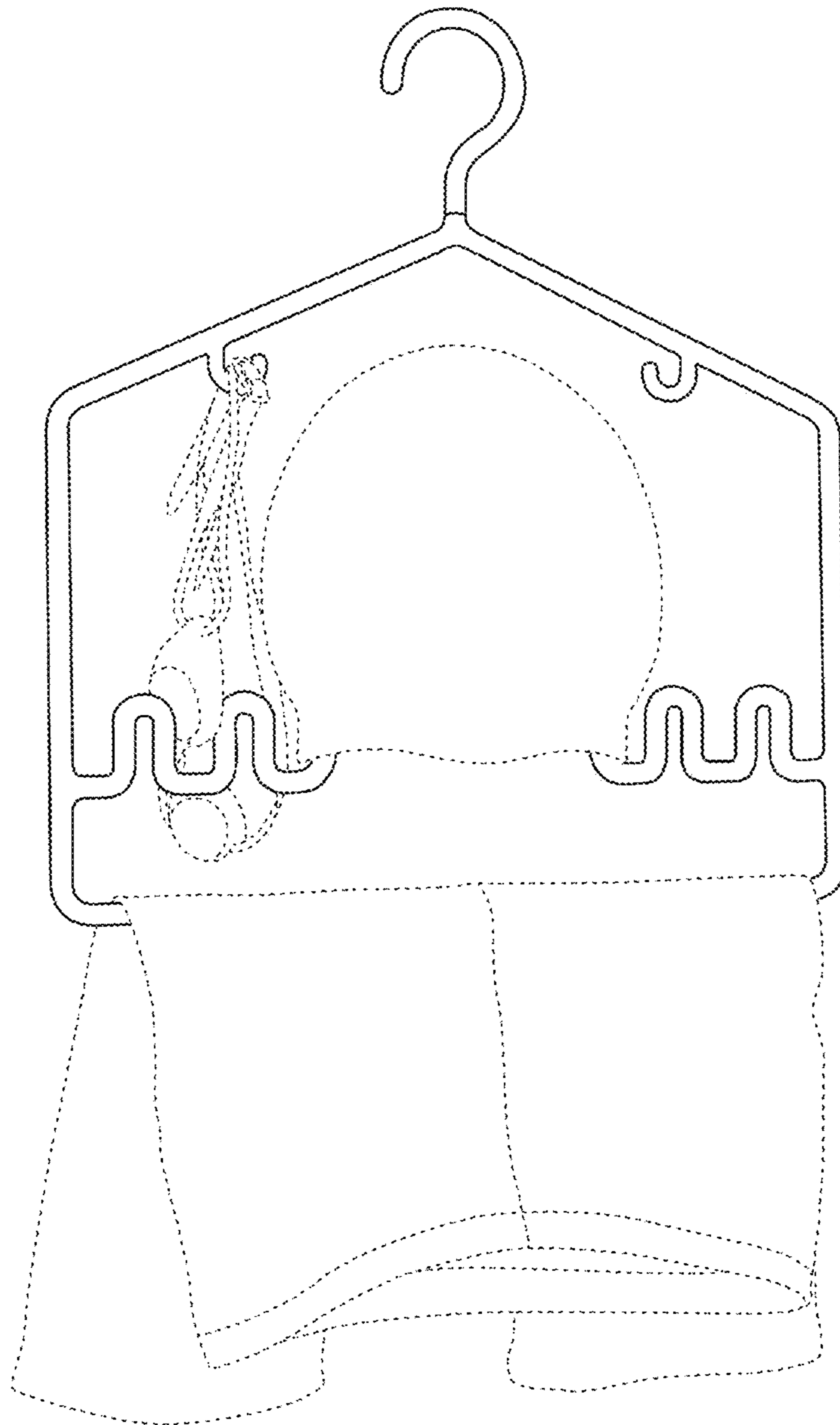


FIG. 9