



US00D968821S

(12) **United States Design Patent**  
**Jiang**

(10) **Patent No.:** **US D968,821 S**

(45) **Date of Patent:** **\*\* Nov. 8, 2022**

(54) **DIGITAL PICTURE FRAME**

(71) Applicant: **SHENZHEN ZHENYUEXING MOLDING CO., LTD**, Shenzhen (CN)

(72) Inventor: **Donglin Jiang**, Huaihua (CN)

(73) Assignee: **SHENZHEN ZHENYUEXING MOLDING CO., LTD**, Shenzhen (CN)

(\*\*) Term: **15 Years**

(21) Appl. No.: **29/789,366**

(22) Filed: **Sep. 18, 2021**

(51) **LOC (13) Cl.** ..... **06-06**

(52) **U.S. Cl.**  
USPC ..... **D6/308; D14/371**

(58) **Field of Classification Search**  
USPC ..... D6/300-314; D10/15, 21, 24; D14/336, D14/371, 374, 375; D20/10  
CPC ..... G09G 2380/16  
See application file for complete search history.

(56) **References Cited**

**U.S. PATENT DOCUMENTS**

D455,565 S	4/2002	Pozzoli et al.	
D572,023 S *	7/2008	Park	D14/371
D615,306 S *	5/2010	Ji	D14/371
D615,542 S *	5/2010	Oikawa	D14/374

D622,514 S *	8/2010	Park	D6/308
D882,966 S *	5/2020	Jiang	D14/371
D882,967 S *	5/2020	Jiang	D14/371
D893,201 S *	8/2020	Jiang	D14/374
D901,192 S *	11/2020	Wang	D14/371
D908,372 S	1/2021	Wang	
D935,328 S *	11/2021	Liu	D14/374
D956,435 S *	7/2022	Yao	D6/308

\* cited by examiner

*Primary Examiner* — Deanna L Pratt

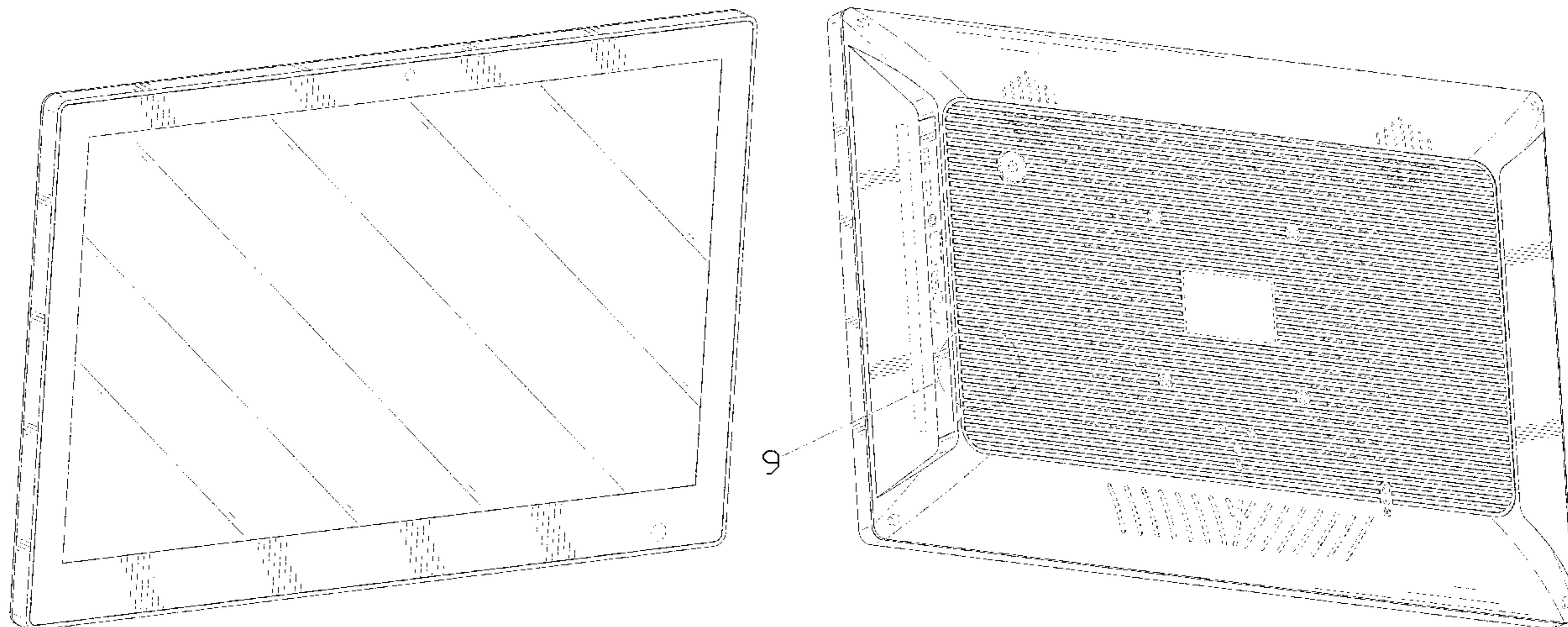
(57) **CLAIM**

The ornamental design for a digital picture frame, as shown and described.

**DESCRIPTION**

FIG. 1 is a perspective view of a digital picture frame showing my new design; FIG. 2 is another perspective view thereof; FIG. 3 is a front elevational view thereof; FIG. 4 is a rear elevational view thereof; FIG. 5 is a left side elevational view thereof; FIG. 6 is a right side elevational view thereof; FIG. 7 is a top plan view thereof; FIG. 8 is a bottom plan view thereof; and, FIG. 9 is an enlarged view of portion 9 shown in FIG. 2. The dash-dash broken lines in the drawings depict portions of the digital picture frame that form no part of the claimed design. The dot-dash broken lines represent boundaries of the enlarged portion and form no part of the claimed design.

**1 Claim, 9 Drawing Sheets**



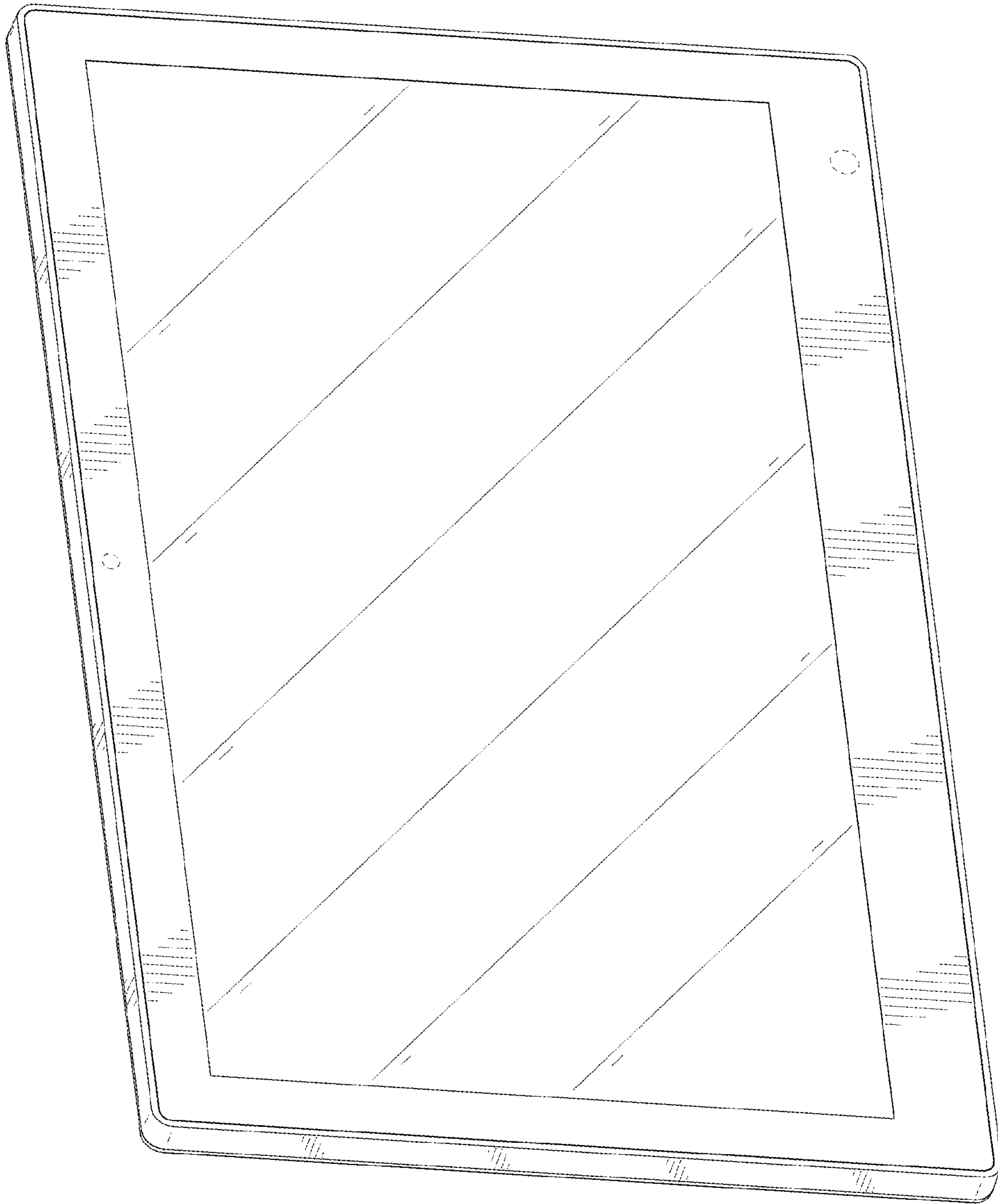


FIG. 1



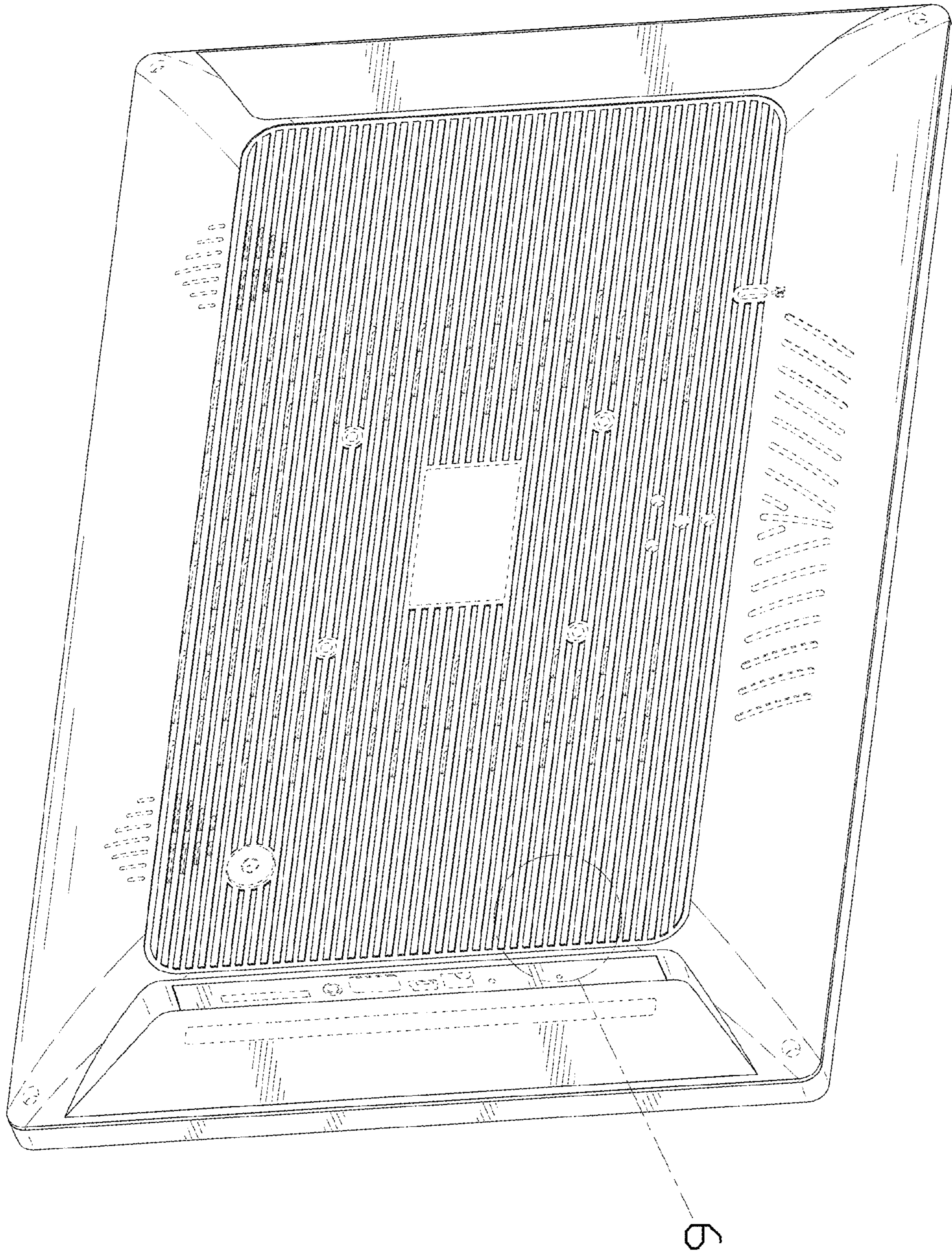


FIG. 2

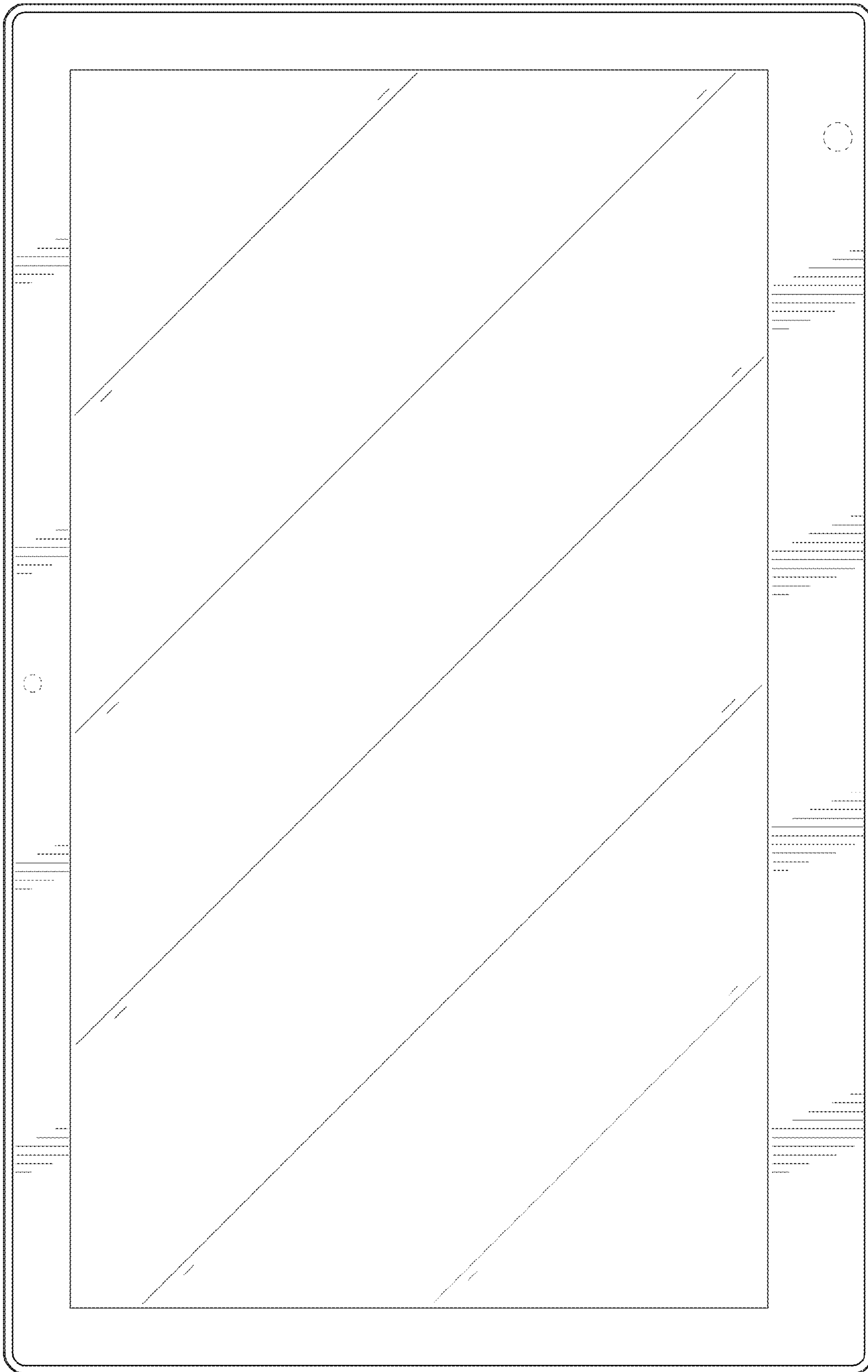


FIG. 3



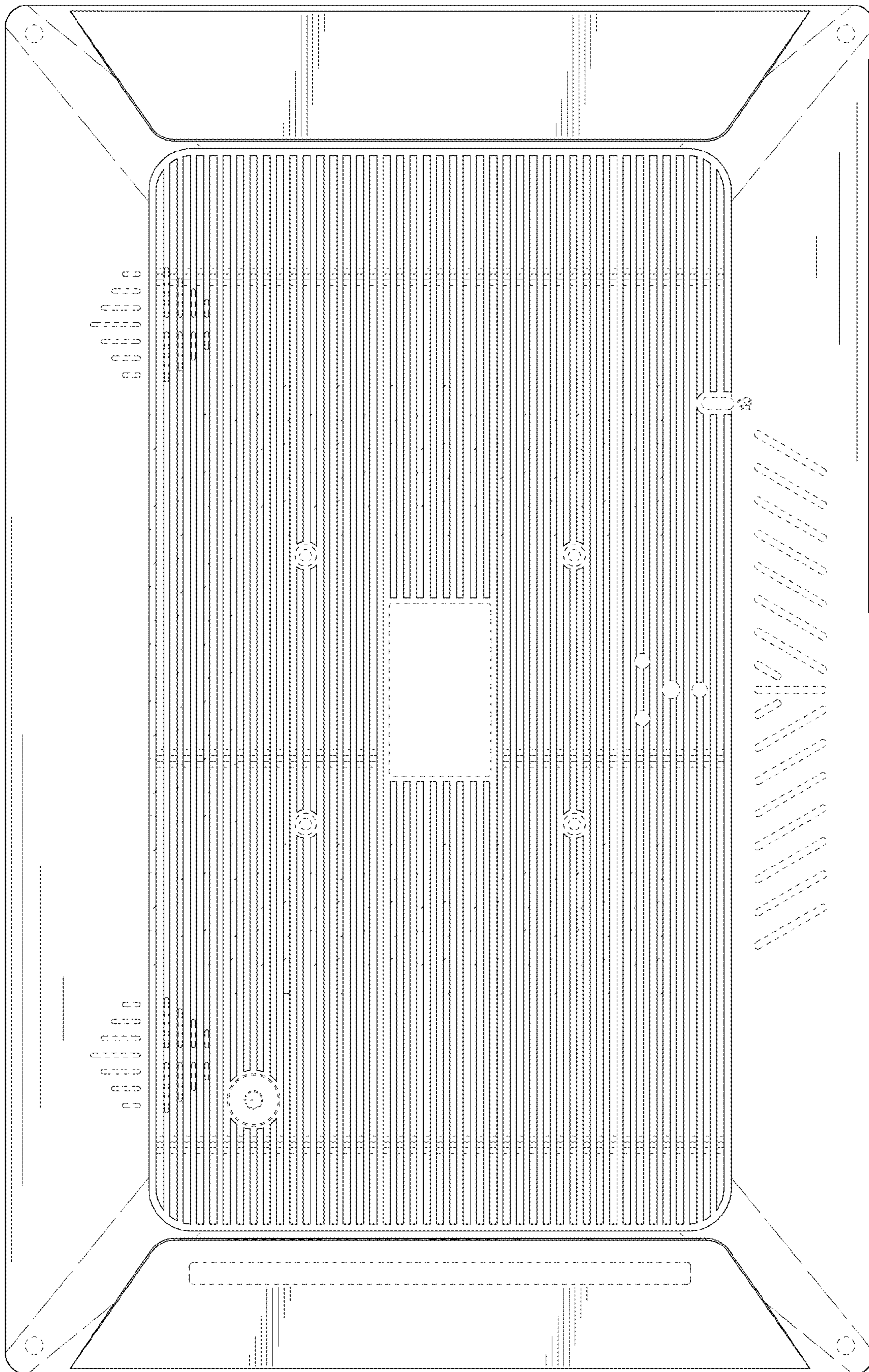


FIG. 4

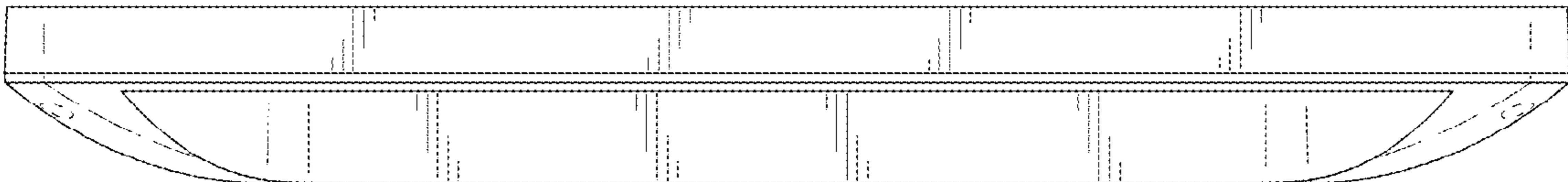


FIG. 5

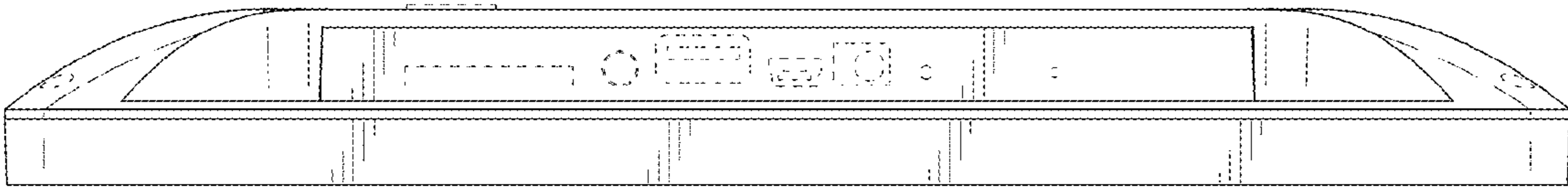


FIG. 6

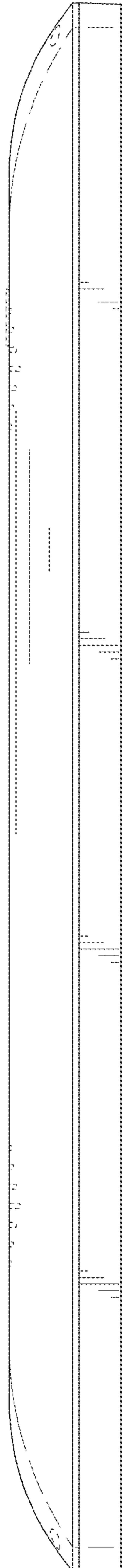


FIG. 7



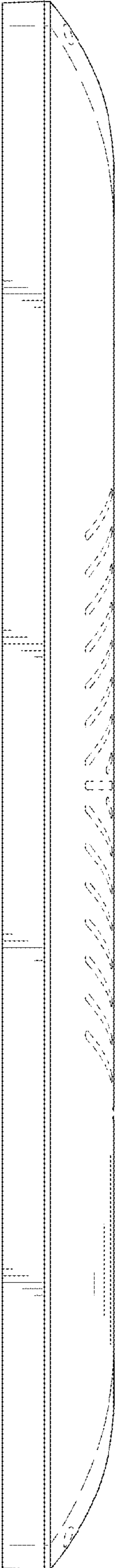


FIG. 8

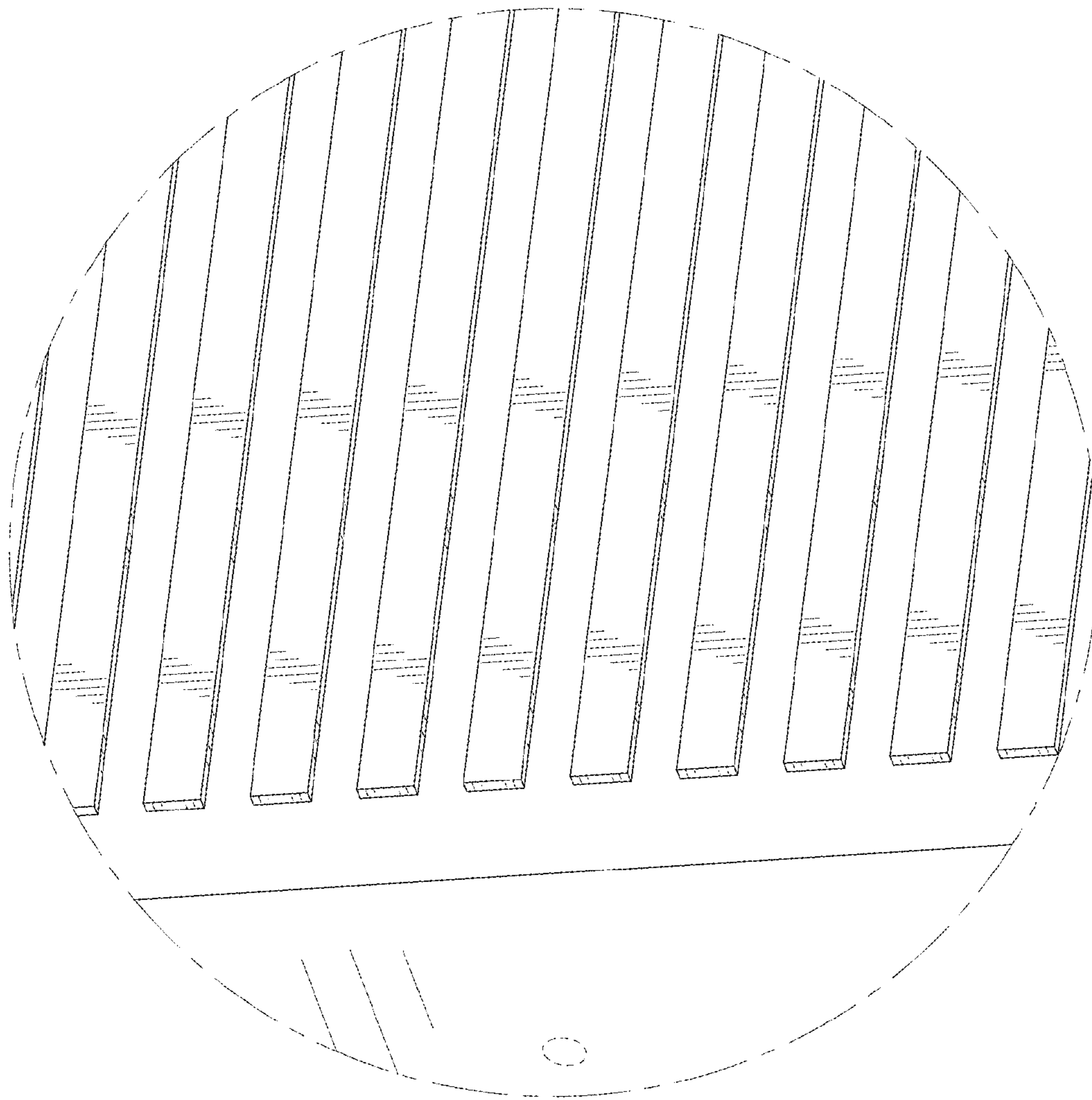


FIG. 9