



US00D968817S

(12) **United States Design Patent** (10) **Patent No.:** **US D968,817 S**  
**Cai** (45) **Date of Patent:** **\*\* Nov. 8, 2022**

(54) **FACIAL CLEANER**  
(71) Applicant: **GUANGDONG NEWDERMO BIOTECH CO., LTD**, Guangzhou (CN)  
(72) Inventor: **Qingyao Cai**, Guangzhou (CN)  
(73) Assignee: **GUANGDONG NEWDERMO BIOTECH CO., LTD**, Guangzhou (CN)  
(\*\*) Term: **15 Years**  
(21) Appl. No.: **29/744,207**  
(22) Filed: **Jul. 28, 2020**  
(30) **Foreign Application Priority Data**  
May 12, 2020 (CN) ..... 202030214196.0  
(51) **LOC (13) Cl.** ..... **04-99**  
(52) **U.S. Cl.**  
USPC ..... **D4/127**  
(58) **Field of Classification Search**  
USPC ..... D28/9, 10, 99; D4/100, 127, 134  
CPC .... A45D 2200/1054; A45D 2200/1063; A45D 44/00  
See application file for complete search history.

D933,958 S \* 10/2021 Ji ..... D4/134  
D933,971 S \* 10/2021 Rybacek ..... D4/127  
D938,168 S \* 12/2021 Meng ..... D4/100  
D942,148 S \* 2/2022 Zhou ..... D4/113  
D949,409 S \* 4/2022 Cai ..... D24/215  
D949,410 S \* 4/2022 Cai ..... D24/215  
2017/0071321 A1\* 3/2017 Tang ..... A46B 13/023

**OTHER PUBLICATIONS**

Spin Facial Cleansing Brush, KINGDO, first available on Mar. 24, 2021 on amazon.com, retrieved on May 6, 2022, retrieved from the Internet URL: [https://www.amazon.com/dp/B08YMTP7B2?pd\\_rd\\_i=B08YMTP7B2&pd\\_rd\\_w=FbQzq&pf\\_rd\\_p=6cddaaba-9971-4351-a601-4ac01495563f&pd\\_rd\\_wg=3Sx2F&pf\\_rd\\_r=135ME5GSR3CV1362W840&pd\\_rd\\_r=59882f49](https://www.amazon.com/dp/B08YMTP7B2?pd_rd_i=B08YMTP7B2&pd_rd_w=FbQzq&pf_rd_p=6cddaaba-9971-4351-a601-4ac01495563f&pd_rd_wg=3Sx2F&pf_rd_r=135ME5GSR3CV1362W840&pd_rd_r=59882f49).\*

\* cited by examiner

*Primary Examiner* — Jennifer Rivard  
*Assistant Examiner* — Alison M Ofstun

(57) **CLAIM**

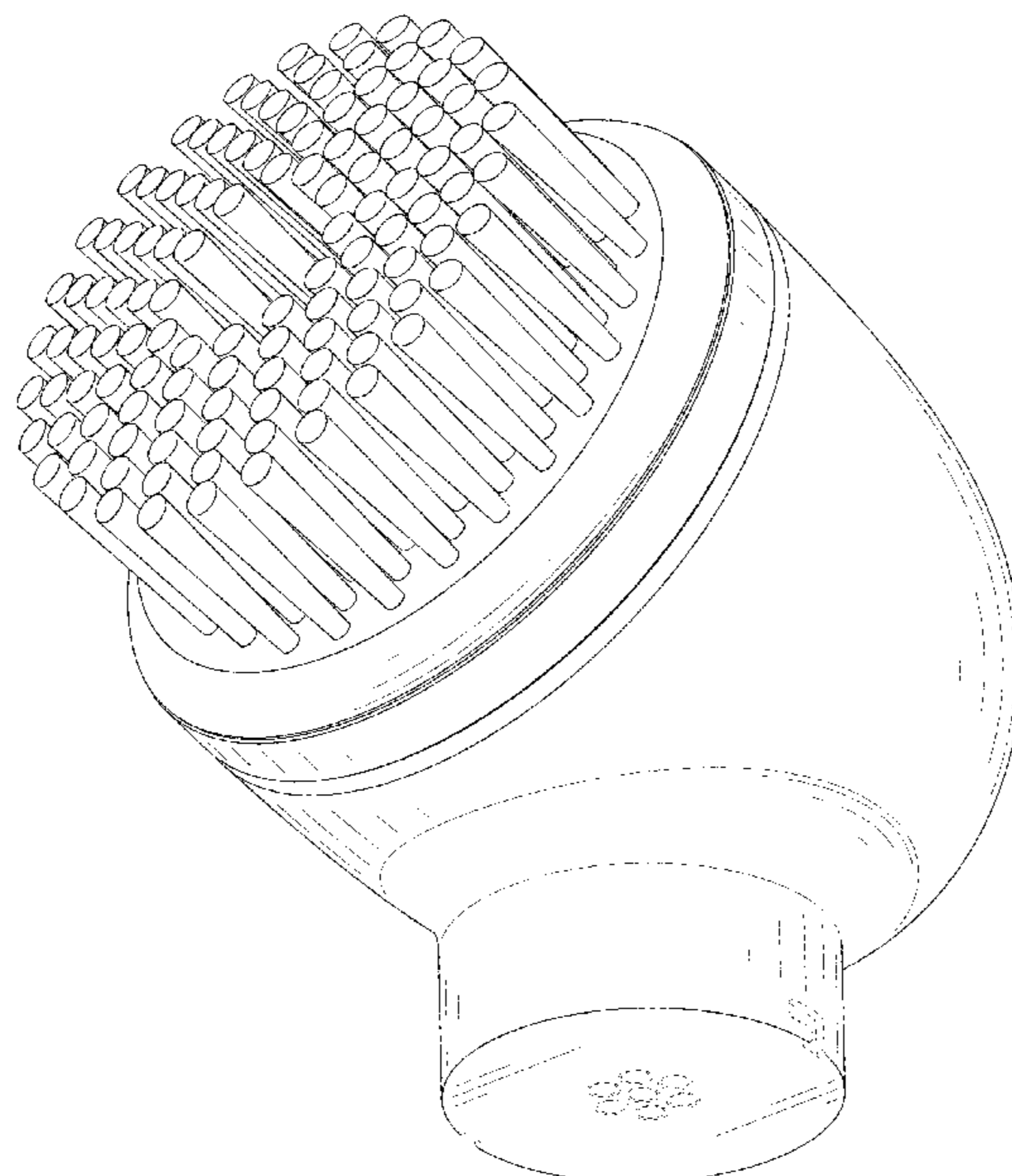
The ornamental design for a facial cleaner, as shown and described.

**DESCRIPTION**

FIG. 1 is a perspective view of a facial cleaner showing my new design;  
FIG. 2 is another perspective view thereof;  
FIG. 3 is a front elevational view thereof;  
FIG. 4 is a rear elevational view thereof;  
FIG. 5 is a left side elevational view thereof;  
FIG. 6 is a right side elevational view thereof;  
FIG. 7 is a top plan view thereof; and,  
FIG. 8 is a bottom plan view thereof.  
The broken lines in the drawings depict portions of the facial cleaner that form no part of the claimed design.

**1 Claim, 8 Drawing Sheets**

(56) **References Cited**  
U.S. PATENT DOCUMENTS  
D728,241 S \* 5/2015 Helmbold ..... D4/127  
D739,145 S \* 9/2015 von Berg ..... D4/127  
D768,391 S \* 10/2016 Kling ..... D4/127  
D816,342 S \* 5/2018 Tai ..... D4/100  
D835,795 S \* 12/2018 Tai ..... D24/214  
D853,127 S \* 7/2019 Kling ..... D4/127  
D864,577 S \* 10/2019 Keast ..... D28/63  
D893,886 S \* 8/2020 Xiong ..... D4/127



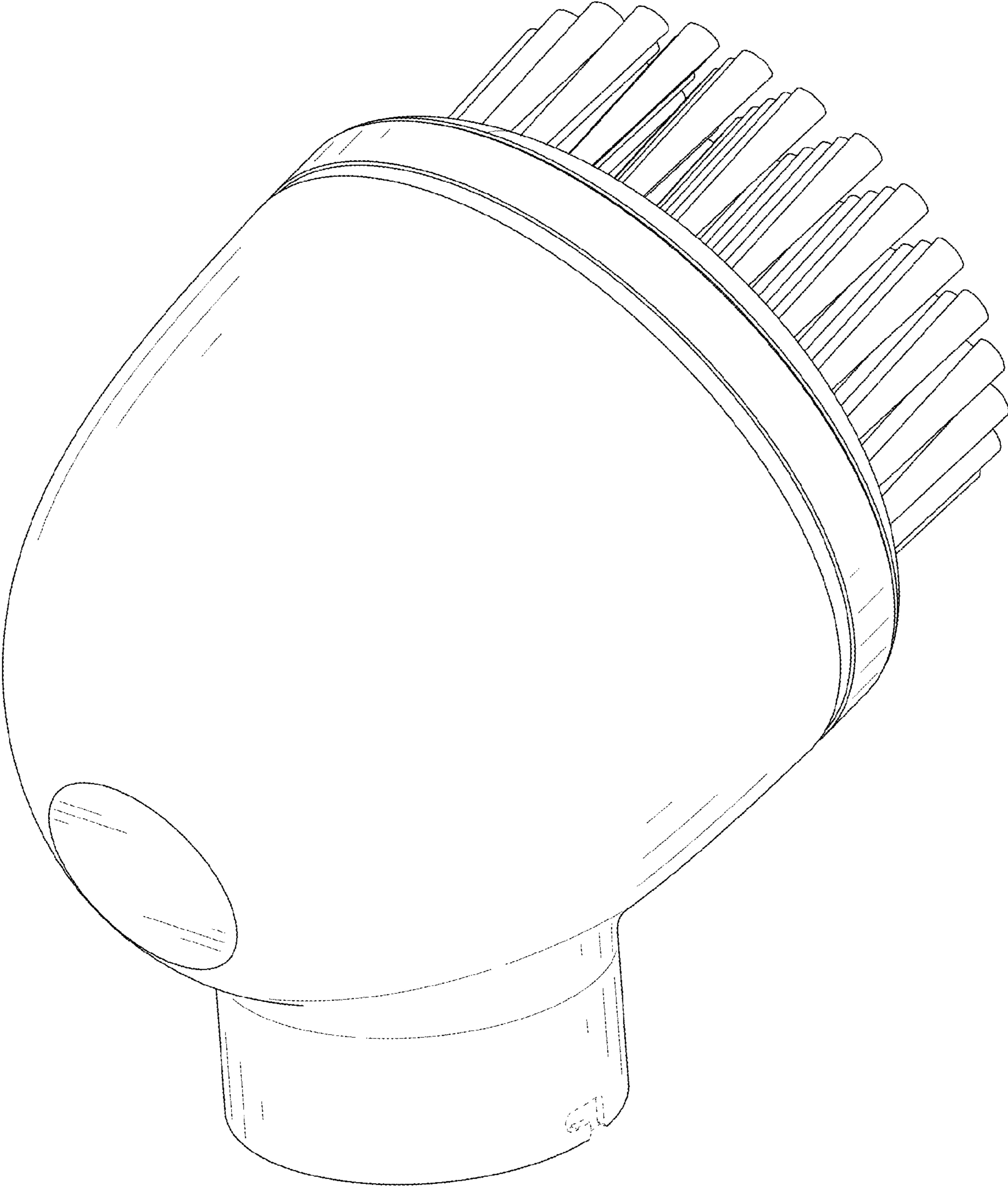


FIG. 1

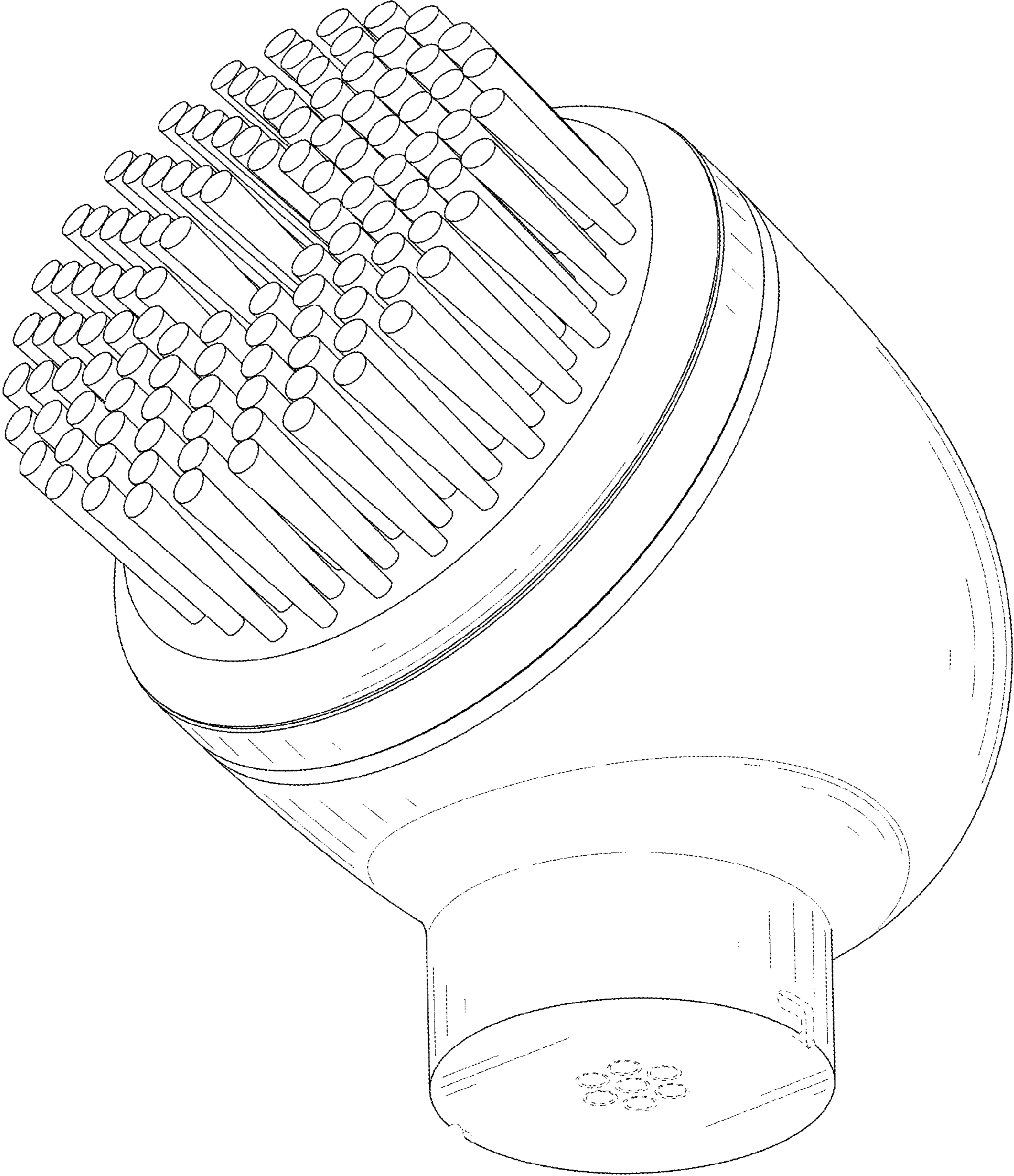


FIG. 2

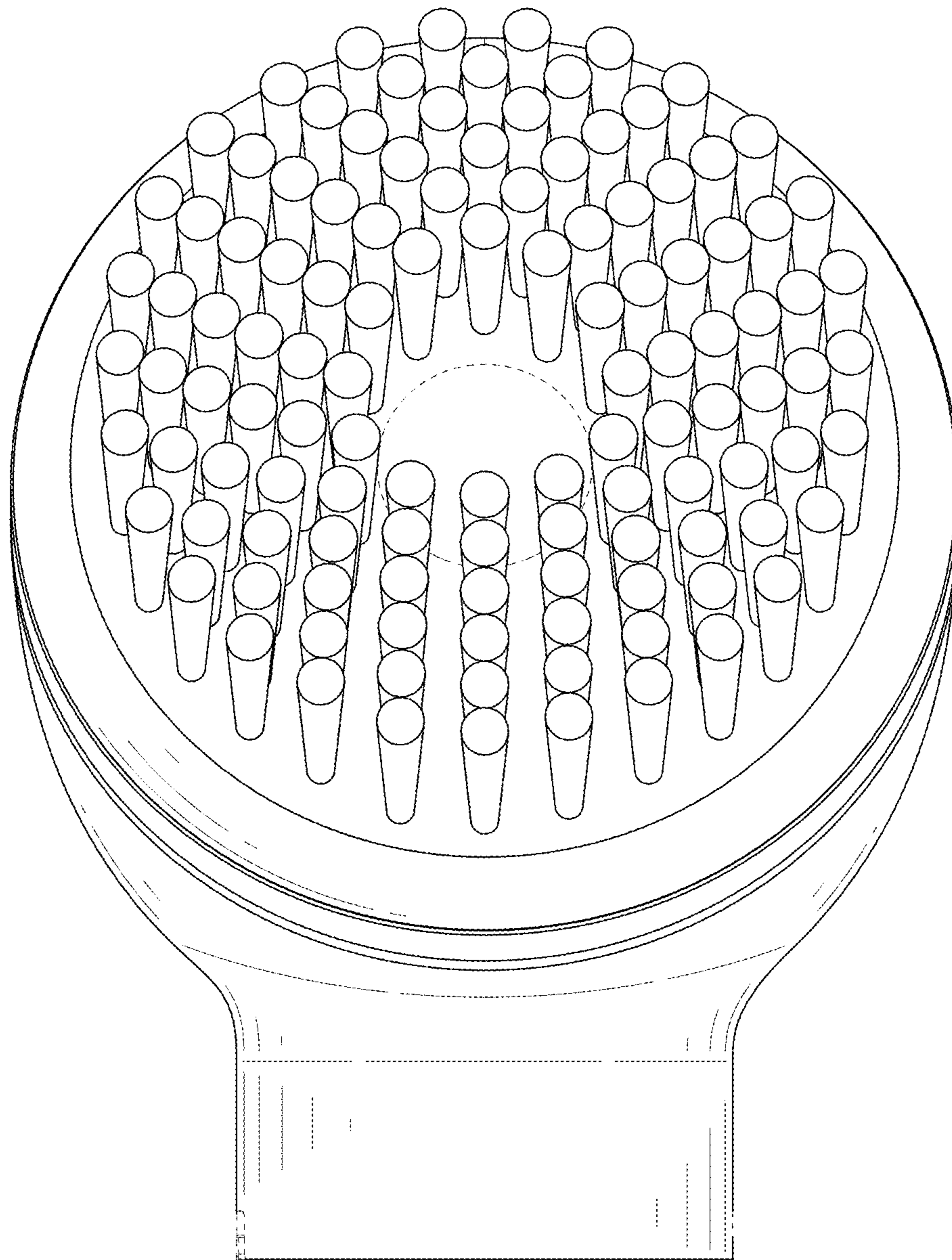


FIG. 3

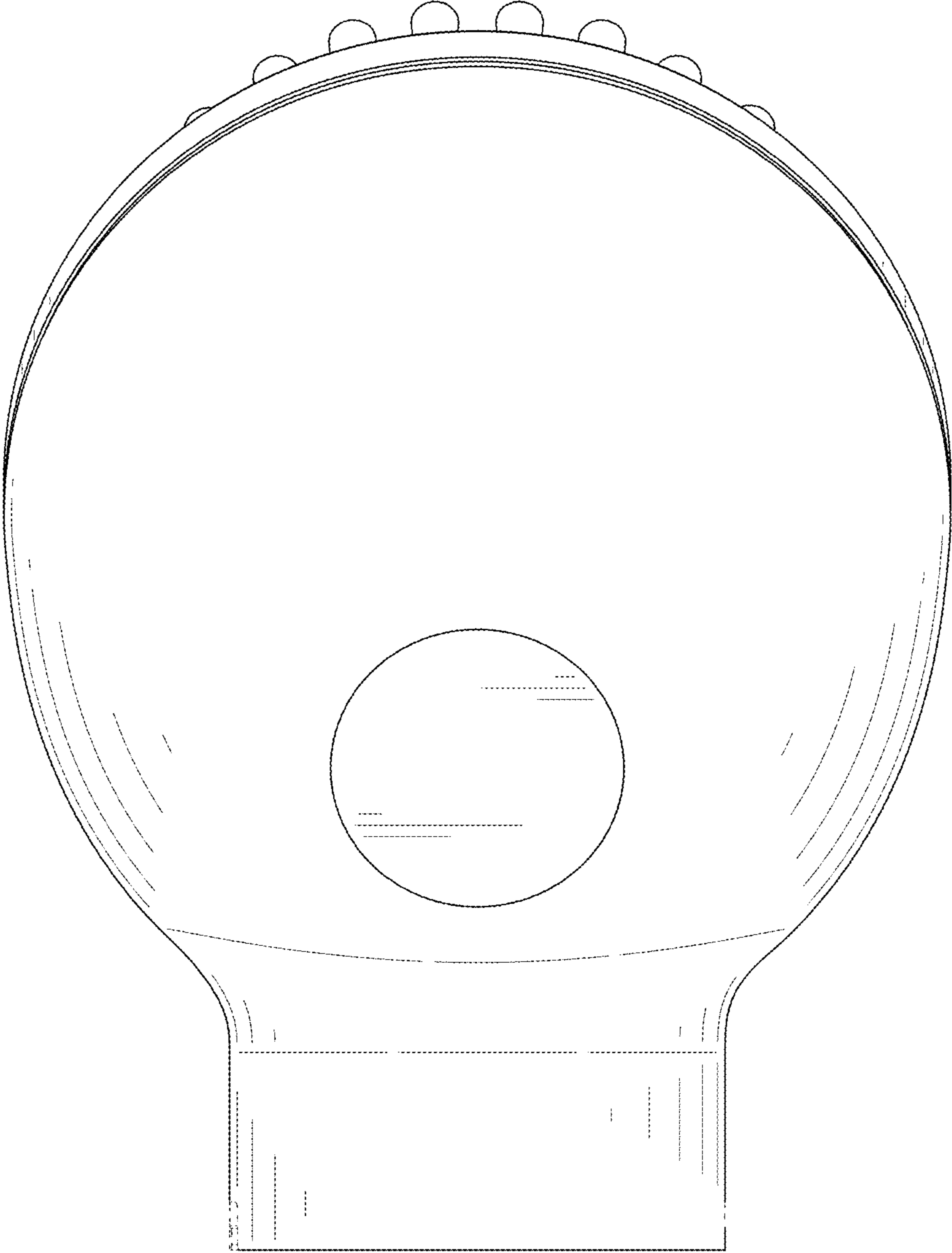


FIG. 4

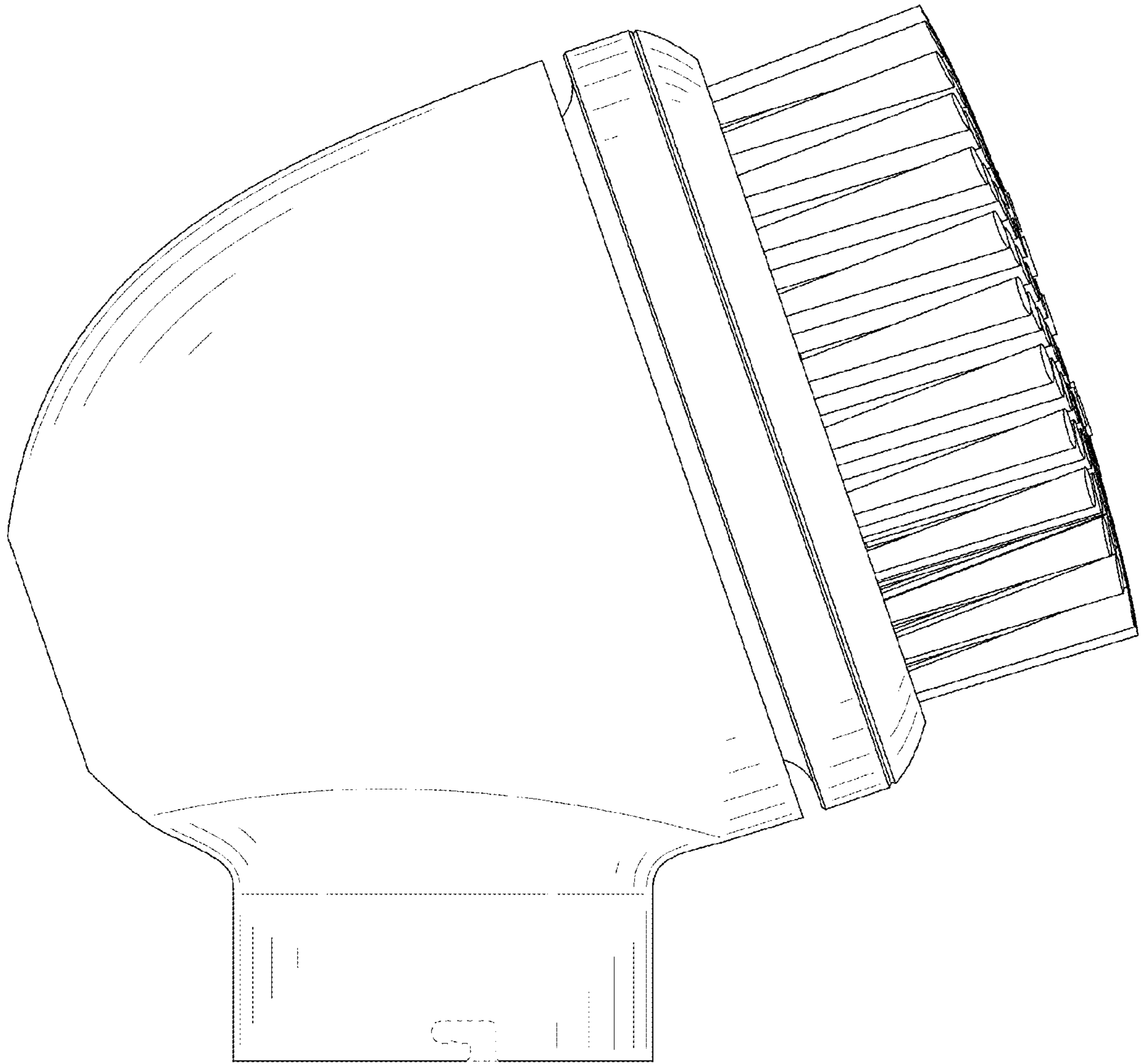


FIG. 5

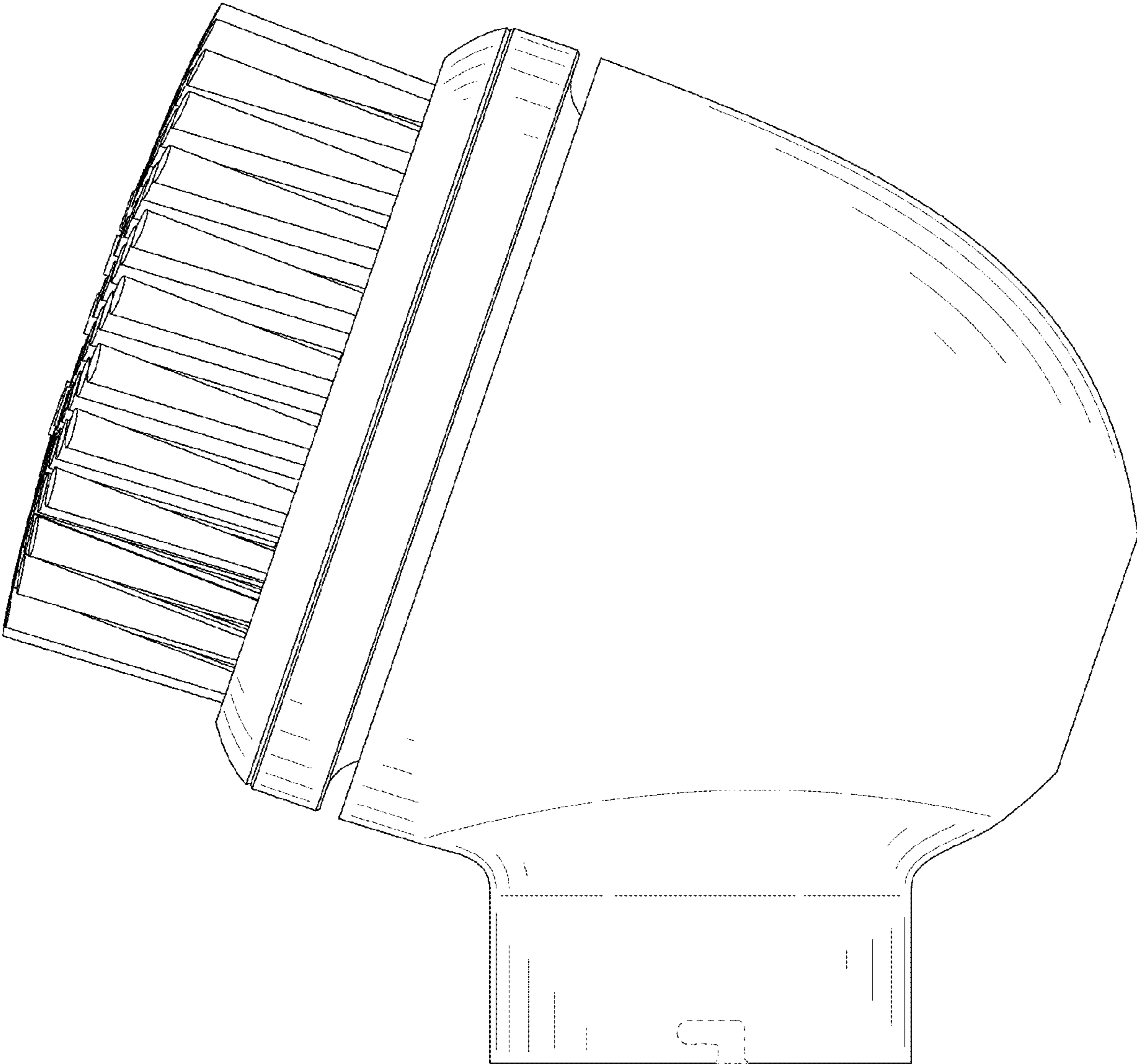


FIG. 6

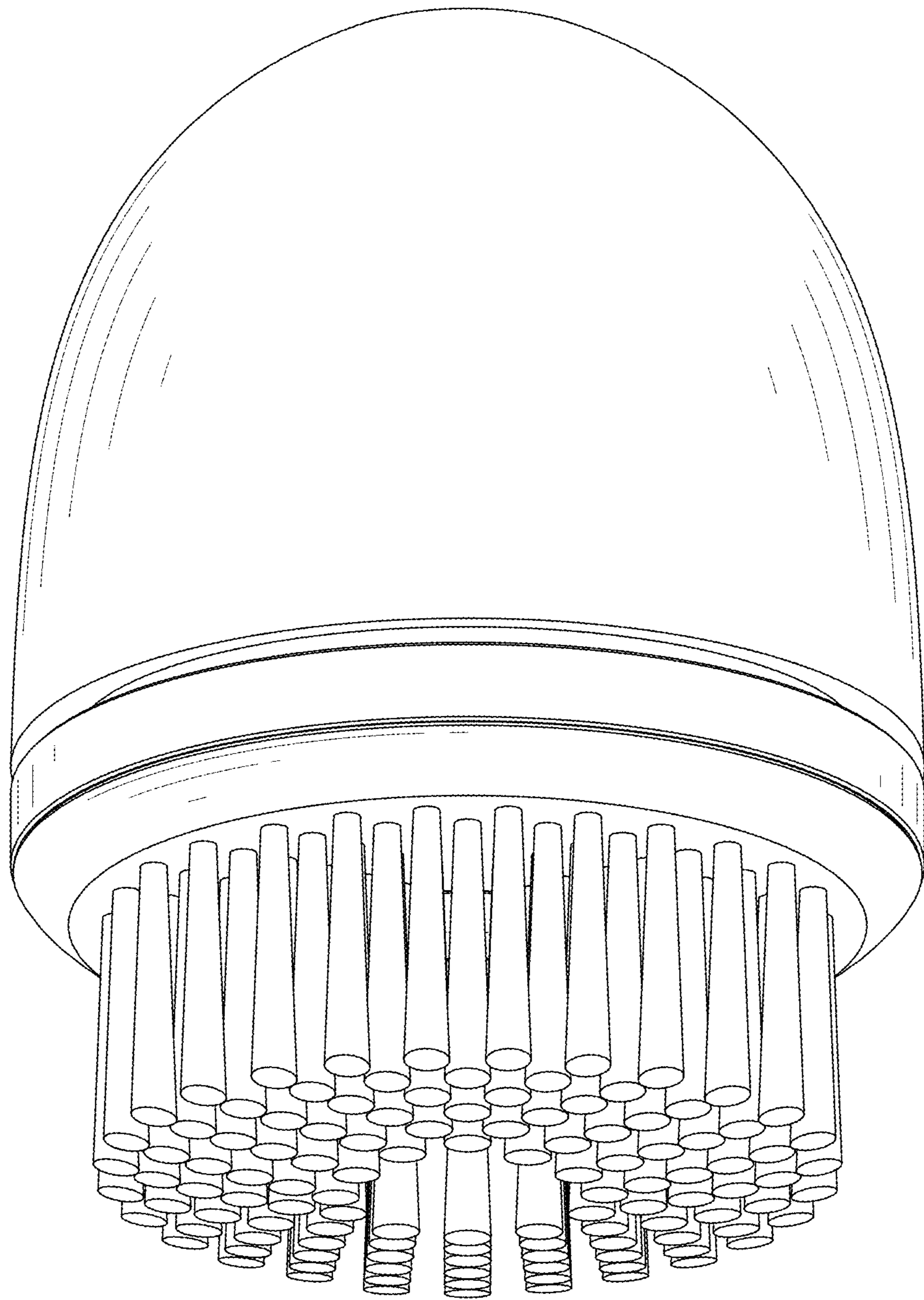


FIG. 7



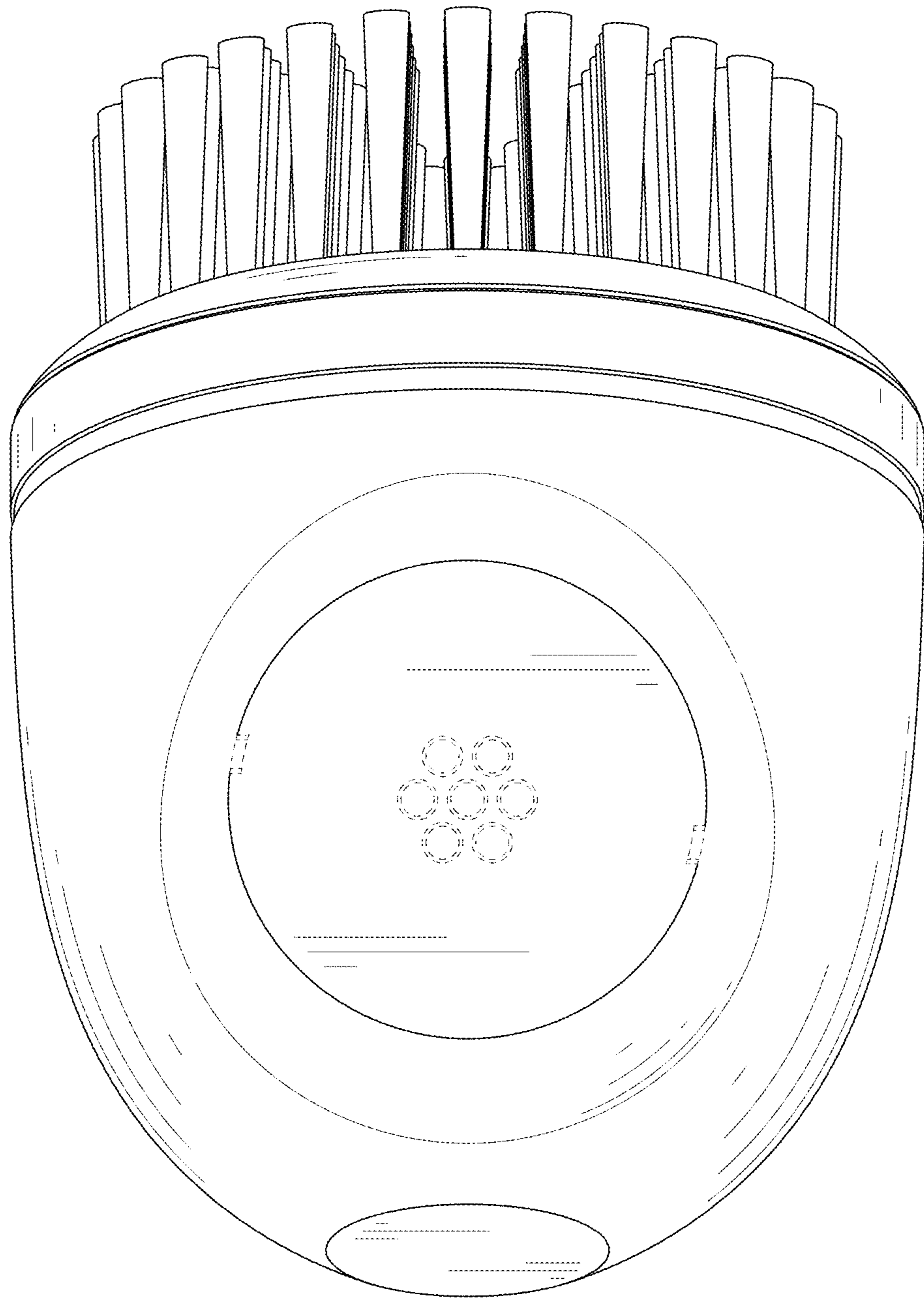


FIG. 8