



US00D968815S

(12) **United States Design Patent**  
**Crane**

(10) **Patent No.:** **US D968,815 S**

(45) **Date of Patent:** **\*\* Nov. 8, 2022**

(54) **CACTUS-SHAPED HANDLE FOR CLEANING TOOLS**

D655,465 S \* 3/2012 Raven ..... D32/14  
D862,806 S \* 10/2019 Liu ..... D30/158  
D873,526 S \* 1/2020 Lesina ..... D1/115

(Continued)

(71) Applicant: **ILIV Organics, LLC**, Palm City, FL (US)

**OTHER PUBLICATIONS**

(72) Inventor: **Robert G. Crane**, Palm City, FL (US)

Cactus Toilet Brush and Holder, Date Visited: Sep. 19, 2022, Amazon, Date Available: Nov. 23, 2021, <https://www.amazon.co.uk/SXFYHXY-360-degree-Cleaning-Exquisite-Lightweight/dp/B09MFQ7D3T> (Year: 2021).\*

(Continued)

(\*\*) Term: **15 Years**

(21) Appl. No.: **29/864,216**

(22) Filed: **May 15, 2022**

*Primary Examiner* — Karen S Acker

(51) **LOC (13) Cl.** ..... **04-99**

*Assistant Examiner* — Elizabeth S Ko

(52) **U.S. Cl.**

(74) *Attorney, Agent, or Firm* — Larson & Larson; Justin P. Miller; Frank Liebenow

USPC ..... **D4/124**

(58) **Field of Classification Search**

(57) **CLAIM**

USPC ..... D19/101, 102, 104; D8/14-16, 19-20, D8/72-74, 300, 303, 306-308, 313, 315, D8/321, 317, 349-350, 354-356, D8/358-359, 363, 373-378, 367-370, D8/382-383, 386-387, 393, 61, 88-89; D4/124, 117, 138

I claim the ornamental design for a cactus-shaped handle for cleaning tools, as shown and described.

CPC ..... A46B 9/02; A46B 5/0095; A46B 5/00; A46B 15/00; A46B 15/0089

**DESCRIPTION**

See application file for complete search history.

FIG. 1 is a first perspective view of a cactus-shaped handle for cleaning tools showing my new design; FIG. 2 is a front elevation view thereof; FIG. 3 is a back elevation thereof; FIG. 4 is a right-side elevation view thereof; FIG. 5 is a left-side elevation view thereof; FIG. 6 is a top plan view thereof; FIG. 7 is a bottom plan view thereof; FIG. 8 is a second perspective view thereof, shown in a first position of use with a brush; and, FIG. 9 is a third perspective view thereof, shown in a second position of use with a suction cup.

The evenly spaced broken lines depict portions of the cactus-shaped handle for cleaning tools that form no part of the claimed design.

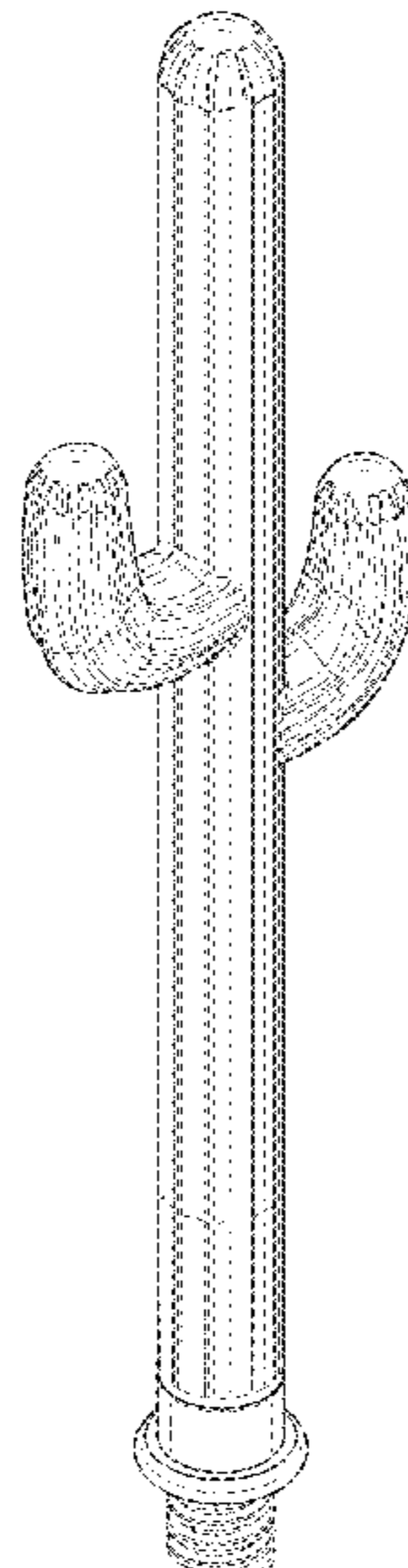
The broken lines showing brush and suction cup are included for the purpose of illustrating environmental structure and form no part of the claimed design.

(56) **References Cited**

**U.S. PATENT DOCUMENTS**

5,213,855 A \* 5/1993 Buxton ..... A41G 1/00 428/17  
D437,463 S \* 2/2001 Garay ..... D32/14  
D448,534 S \* 9/2001 Wang ..... D32/35  
D457,277 S \* 5/2002 Poston ..... D32/14  
D477,546 S 7/2003 Como  
7,118,788 B1 \* 10/2006 Turner ..... A41G 1/00 428/17  
D562,725 S \* 2/2008 Keller ..... D11/131  
D616,537 S \* 5/2010 Gosko-Sadowski ..... D32/8  
D649,197 S \* 11/2011 Muzar, Jr. .... D20/29

**1 Claim, 8 Drawing Sheets**



(56)

**References Cited**

U.S. PATENT DOCUMENTS

D915,576 S \* 4/2021 Gobber ..... D23/367  
D917,197 S \* 4/2021 Kwak ..... D6/524  
D923,942 S 7/2021 Lin  
D928,513 S \* 8/2021 Bursley ..... D4/124  
D933,911 S \* 10/2021 Gwen ..... D32/14  
D937,586 S \* 12/2021 Zhang ..... D4/128  
D955,756 S \* 6/2022 Blechschmidt ..... D4/128  
2010/0313345 A1 \* 12/2010 Stein ..... E03C 1/308  
4/255.11

OTHER PUBLICATIONS

Boon Cacti Bottle Cleaning Brush Set., Date Visited: Sep. 19, 2022, Amazon, Date Available: Mar. 10, 2020, <https://www.amazon.co.uk/Boon-Cacti-Bottle-Cleaning-Multicolour/dp/B082PZ44M9> (Year: 2020).\*

Toilet brush Creative Cactus, Date Visited: Sep. 19, 2022, Amazon, Date Available: Dec. 11, 2021, <https://www.amazon.com/Toilet-Creative-Bathroom-Accessories-Cleaning/dp/B09NFP9WNL> (Year: 2021).\*

\* cited by examiner

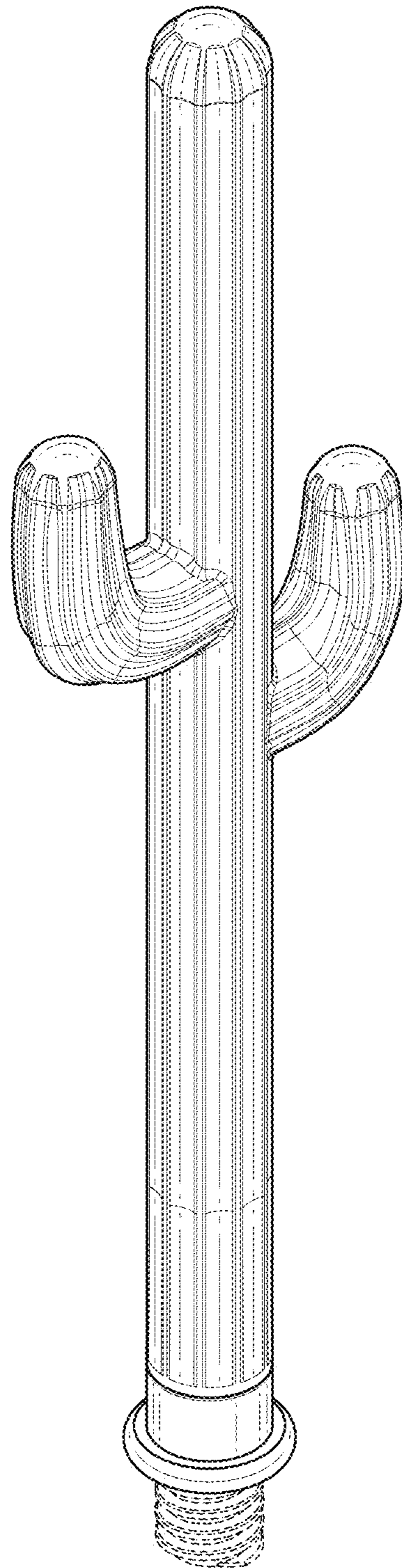


FIG. 1

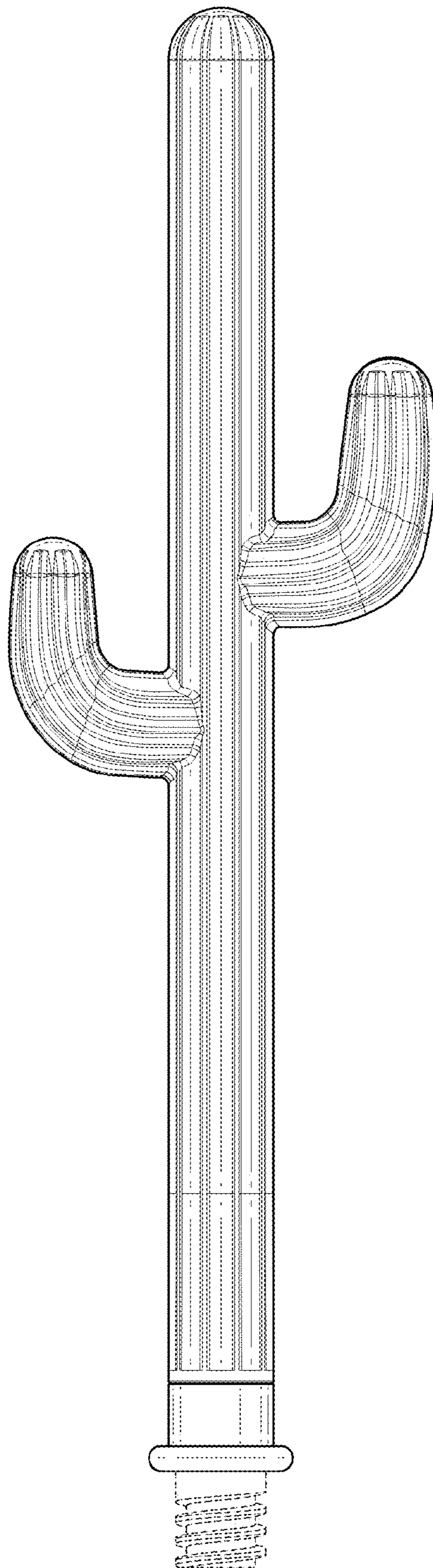


FIG. 2

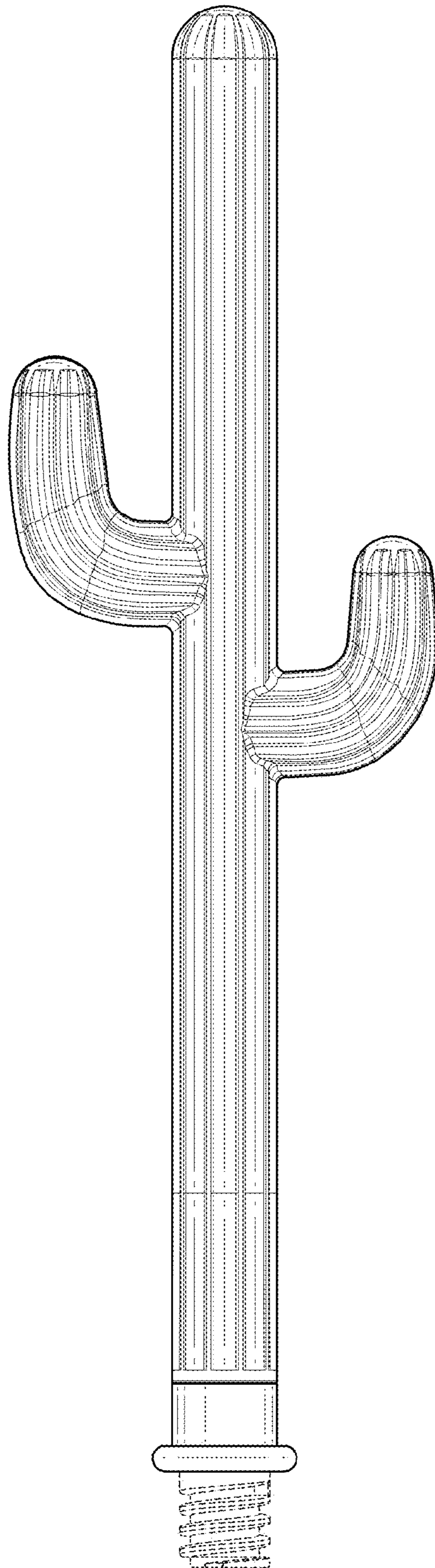


FIG. 3

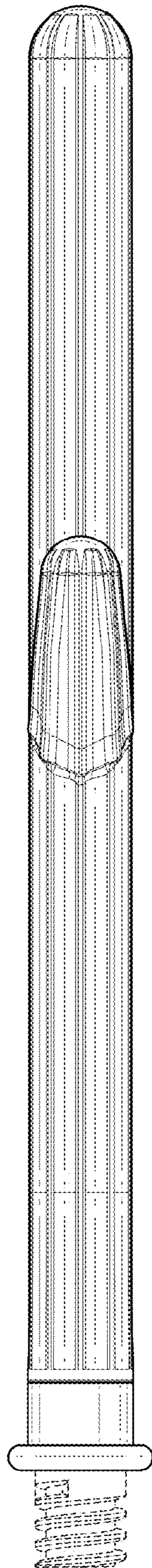


FIG. 4

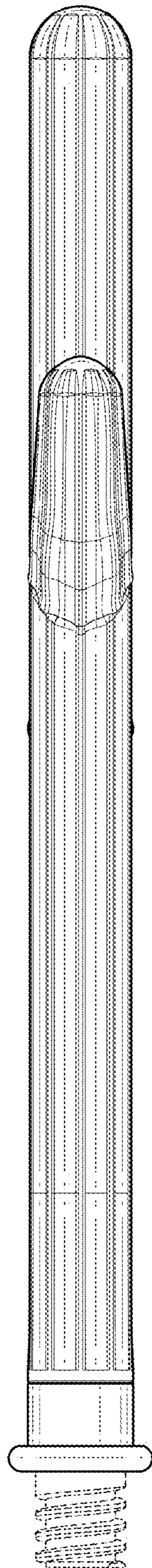


FIG. 5

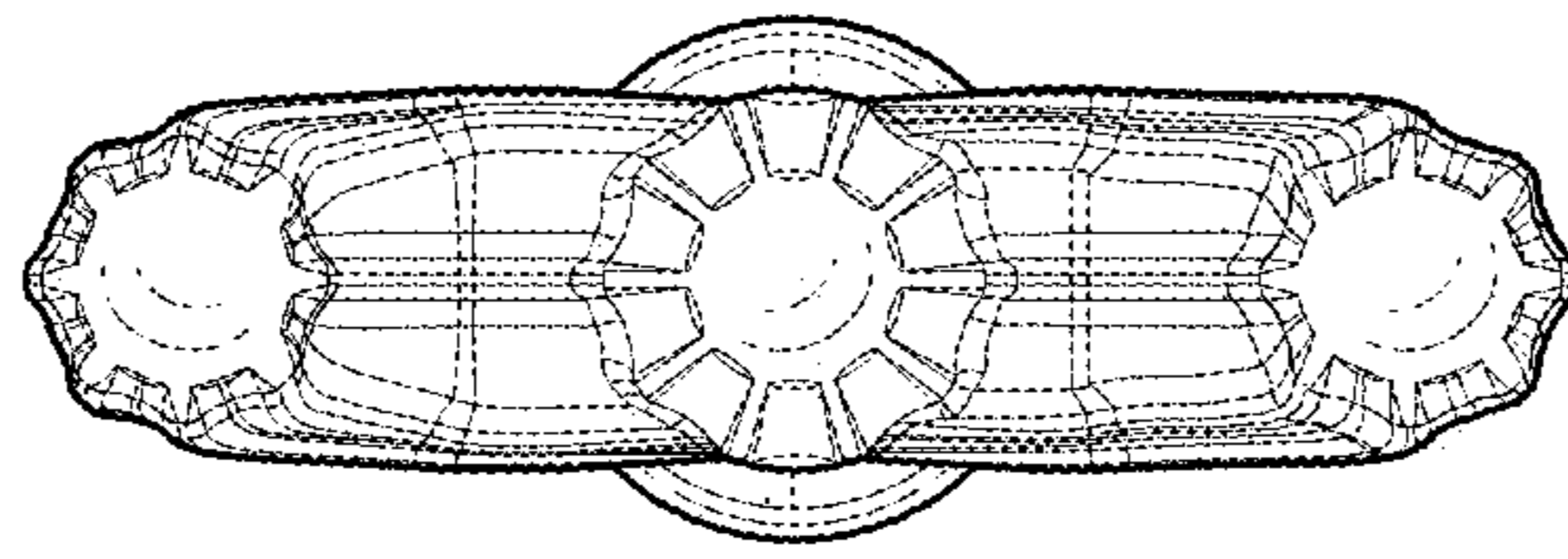


FIG. 6

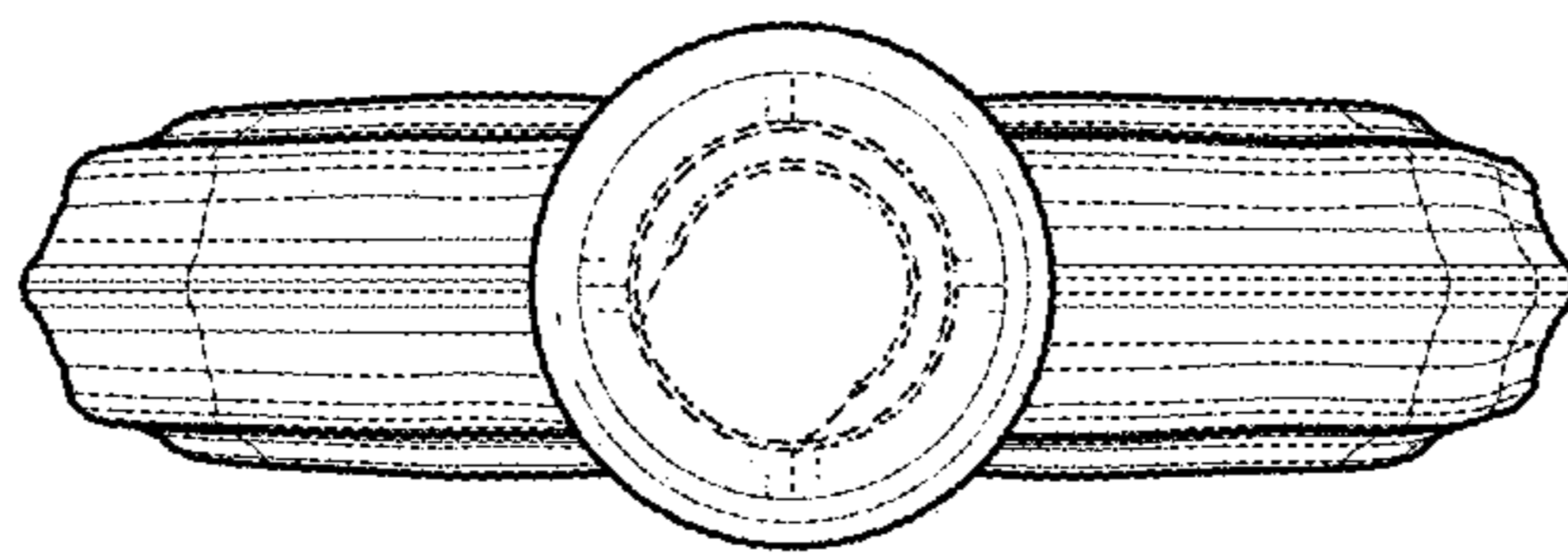


FIG. 7



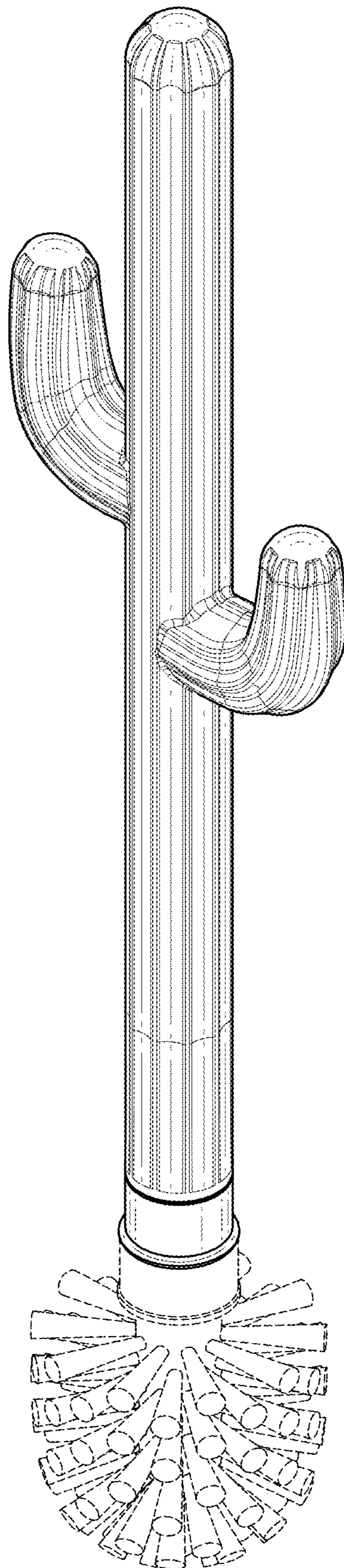


FIG. 8

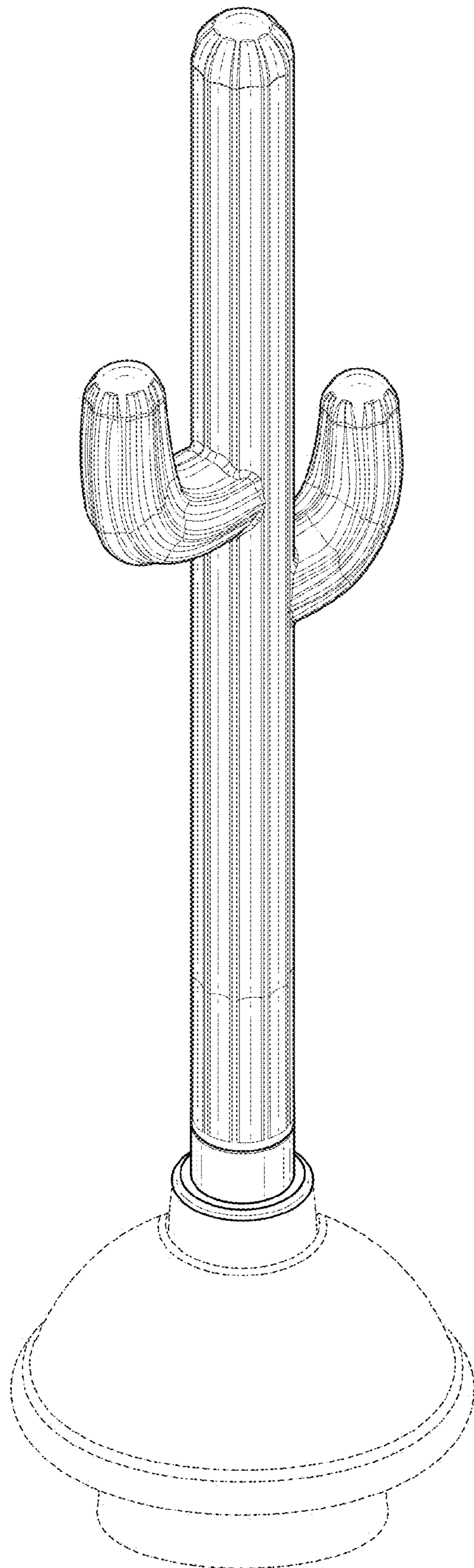


FIG. 9