

US00D968809S

(12) **United States Design Patent** (10) **Patent No.:** **US D968,809 S**
Dai (45) **Date of Patent:** **** Nov. 8, 2022**

(54) **PARTITIONED CONTAINER WITH LID**

(71) Applicant: **ShenZhen YiHong Technology Co., LTD**, Guangdong (CN)

(72) Inventor: **Yi Dai**, ShenZhen (CN)

(73) Assignee: **ShenZhen YiHong Technology CO., LTD**, ShenZhen (CN)

(**) Term: **15 Years**

(21) Appl. No.: **29/806,780**

(22) Filed: **Sep. 7, 2021**

(51) **LOC (13) Cl.** **03-01**

(52) **U.S. Cl.**
USPC **D3/295**

(58) **Field of Classification Search**
USPC D9/423-425, 420, 737, 756, 759-760,
D9/502; D3/201, 203.1, 259-260, 273,
(Continued)

(56) **References Cited**

U.S. PATENT DOCUMENTS

795,998 A * 8/1905 Molitor B65D 85/305
D9/423
2,633,285 A * 3/1953 Kells B65D 5/48038
229/120.05

(Continued)

FOREIGN PATENT DOCUMENTS

AT 520446 B1 * 4/2019 B65D 25/04
CN 106043954 A * 10/2016
CN 106864924 A * 6/2017 A61J 1/03

OTHER PUBLICATIONS

MDesign Plastic Tea Bag Divided Storage Organizer Container Box with Hinge Lid. Date first available: Jun. 18, 2015. Site visited: Jul. 22, 2022. Available online: <https://www.amazon.com/mDesign-Single-Divided-Holder-Organizer/dp/B00ZY3EY0U> (Year: 2015).*

(Continued)

Primary Examiner — Catherine S Posthauer

Assistant Examiner — Joan E. Diehl

(74) *Attorney, Agent, or Firm* — iPA & iPM

(57) **CLAIM**

The ornamental design for a partitioned container with lid, as shown and described.

DESCRIPTION

FIG. 1 is a top perspective view of a first embodiment of a partitioned container with lid, showing my new design;

FIG. 2 is a bottom perspective view thereof;

FIG. 3 is a front view thereof;

FIG. 4 is a back view thereof;

FIG. 5 is a left side view thereof;

FIG. 6 is right side view thereof;

FIG. 7 is a top view thereof;

FIG. 8 is a bottom view thereof;

FIG. 9 is an enlarged detail view taken from within portion 9 on FIG. 1;

FIG. 10 is a perspective view of the container with said lid in a closed position;

FIG. 11 is an exploded perspective view of the partitioned container with lid;

FIG. 12 is a perspective view of the partitions in a disassembled state, shown independent from the container to show aspects of the design not visible when combined;

FIG. 13 is a top perspective view of a second embodiment of a partitioned container with lid showing my new design;

FIG. 14 is a bottom perspective view thereof;

FIG. 15 is a front view thereof;

FIG. 16 is a back view thereof;

FIG. 17 is a left side view thereof;

FIG. 18 is right side view thereof;

FIG. 19 is a top view thereof;

FIG. 20 is a bottom view thereof;

FIG. 21 is an enlarged view of area 21 from FIG. 13;

FIG. 22 is a perspective view of the container with said lid in a closed position;

FIG. 23 is an exploded perspective view of the partitioned container with lid; and,

(Continued)

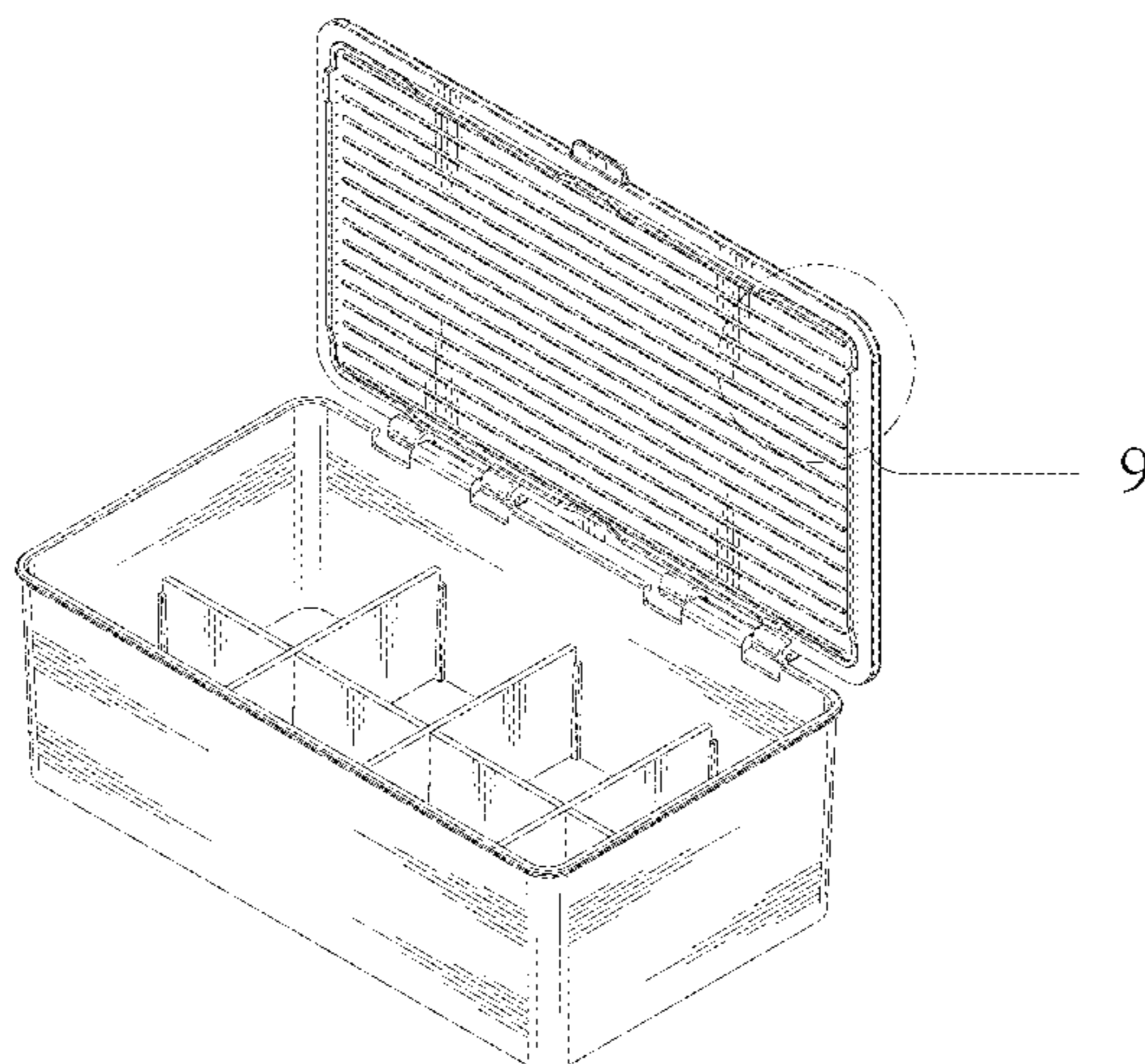


FIG. 24 is a perspective view of the partitions in a disassembled state, shown independent from the container to show aspects of the design not visible when combined.

1 Claim, 18 Drawing Sheets

(58) **Field of Classification Search**

USPC D3/294–295, 315, 905, 304; D7/601, D7/701, 703; D19/102–106; 190/109–110; 224/406, 920
 CPC B65D 25/2808; B65D 25/2897; B65D 43/163; B65D 85/305; B65D 83/0445; B65D 5/4266; A45F 3/48; A01K 97/06
 See application file for complete search history.

(56) **References Cited**

U.S. PATENT DOCUMENTS

3,155,269 A * 11/1964 Schurman B65D 43/163
 220/837
 4,890,414 A * 1/1990 Bridenthal A01K 97/06
 224/406
 5,184,729 A * 2/1993 Zalenski A45F 3/48
 D9/423
 D380,961 S * 7/1997 Schnack D9/425
 D399,346 S * 10/1998 Saari D9/423
 5,833,336 A 11/1998 Dean
 D424,379 S 5/2000 Kim
 D447,621 S * 9/2001 Lehn D7/334

D515,874 S 2/2006 Aalberts
 D588,907 S * 3/2009 Cesario, Jr. D9/418
 7,624,890 B2 * 12/2009 Noble B65D 83/0445
 206/538
 D718,048 S * 11/2014 Hsu D3/273
 D756,560 S 5/2016 Ghiotti et al.
 9,878,817 B2 1/2018 Youell et al.
 D812,933 S 3/2018 Leonorovitz
 D848,146 S * 5/2019 Kincade D3/905
 D860,629 S * 9/2019 Schaumann D3/18
 D899,773 S * 10/2020 Hu D3/304
 10,869,578 B2 12/2020 Fang et al.
 D909,744 S 2/2021 Guo et al.
 D915,060 S 4/2021 Lee
 2002/0008043 A1 * 1/2002 Gunter B65D 25/2897
 190/110
 2003/0222129 A1 12/2003 Williams
 2018/0251256 A1 * 9/2018 Baryshyan B65D 5/4266
 2021/0244238 A1 * 8/2021 Freeman B65D 25/2808

OTHER PUBLICATIONS

Isaac Jacobs Divided Clear Plastic Organizer. Date first available: Apr. 16, 2021. Site visited: Jul. 22, 2022. Available online: https://www.amazon.com/Isaac-Jacobs-Organizer-Stackable-Cosmetics/dp/B092RK6T1H/ref=asc_df_B092RK6T1H/ (Year: 2021).*
 Xiaoyztan Hard Plastic 8-Grid Case with Removable Dividers. Date first available: Nov. 8, 2018. Site visited: Jul. 22, 2022. Available online: https://www.amazon.com/Yootop-Compartments-Removable-Dividers-Electronics/dp/B07HQ1KF8N/ref=sr_1_1_sspa (Year: 2018).*

* cited by examiner

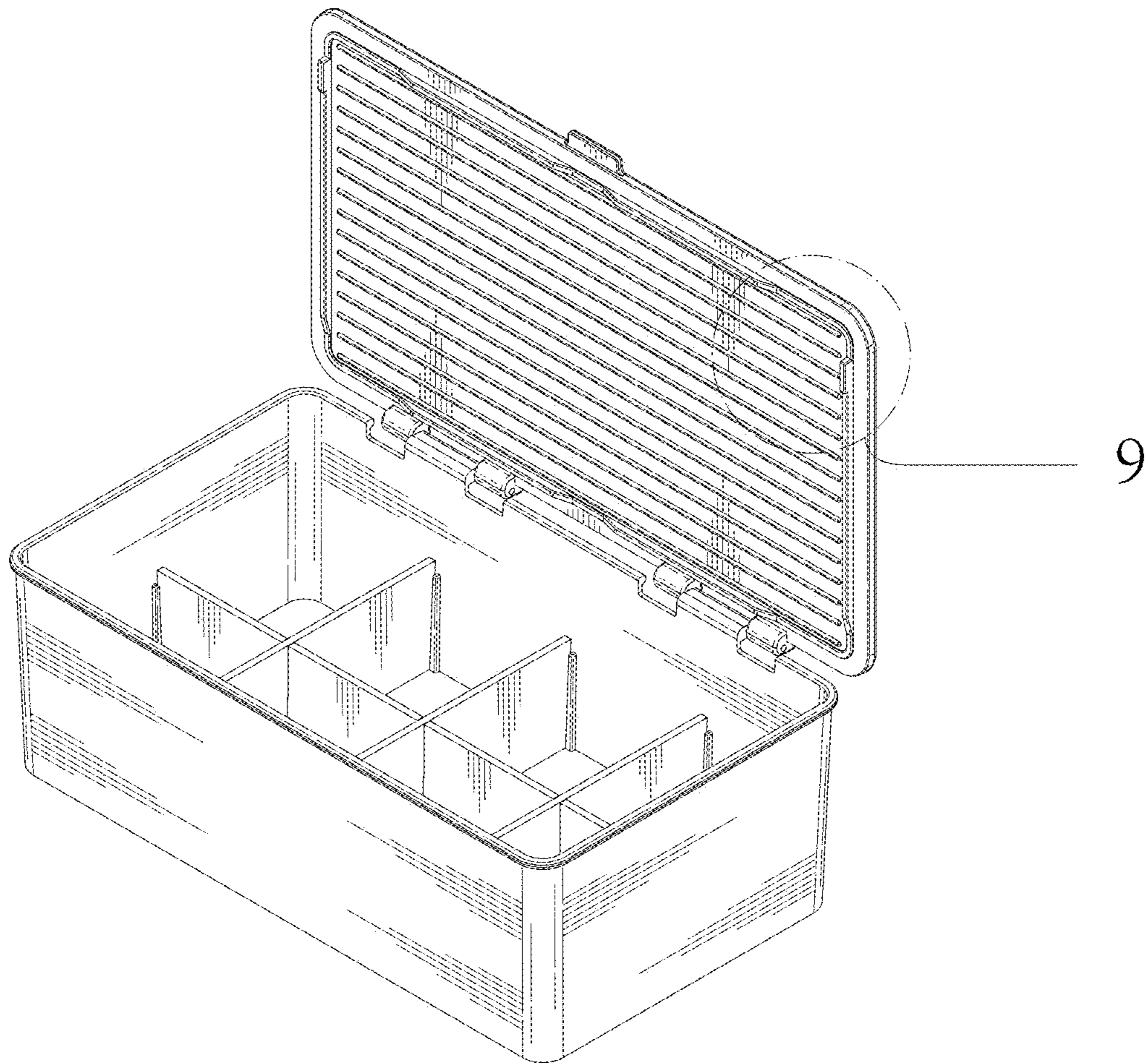


FIG. 1

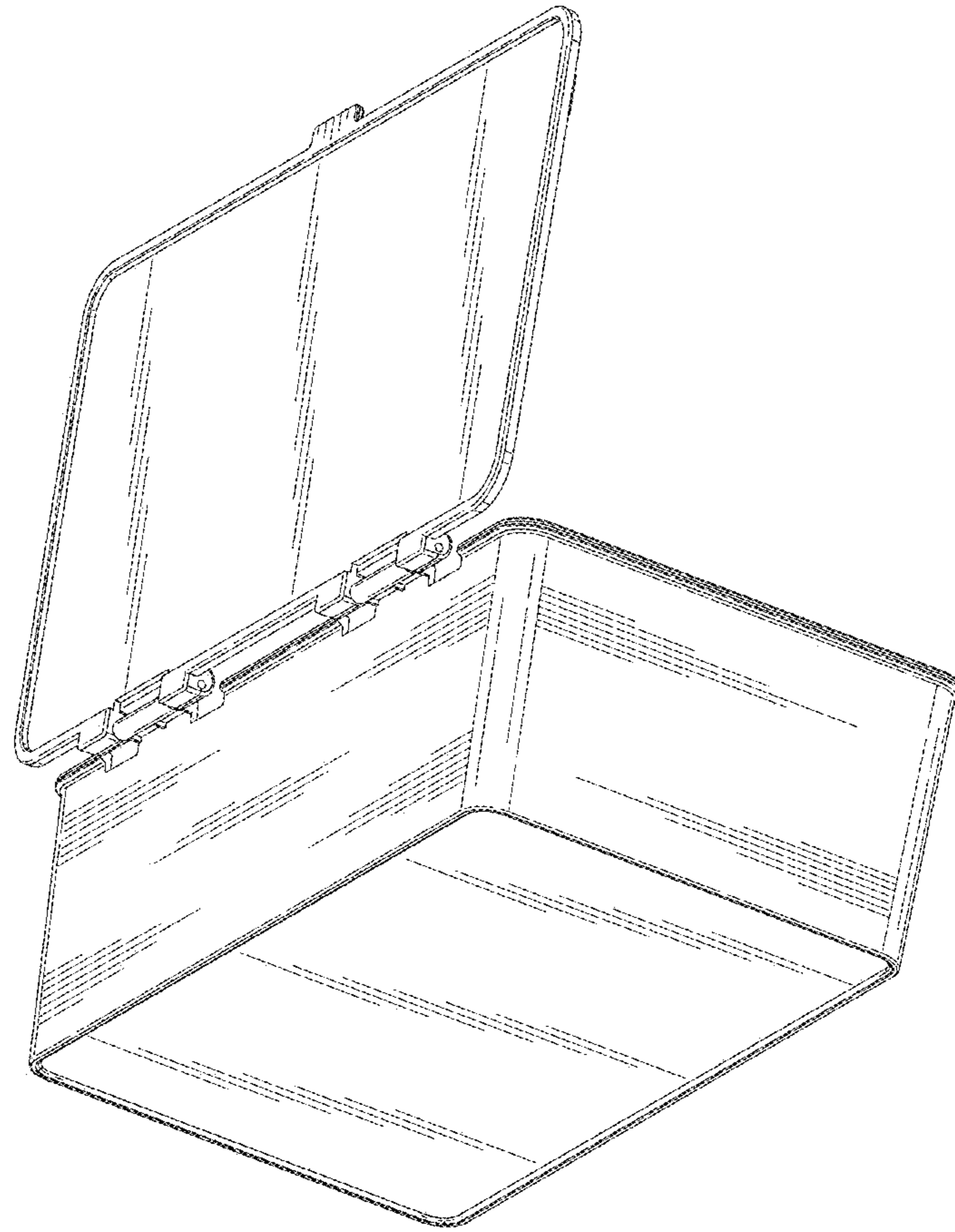


FIG. 2

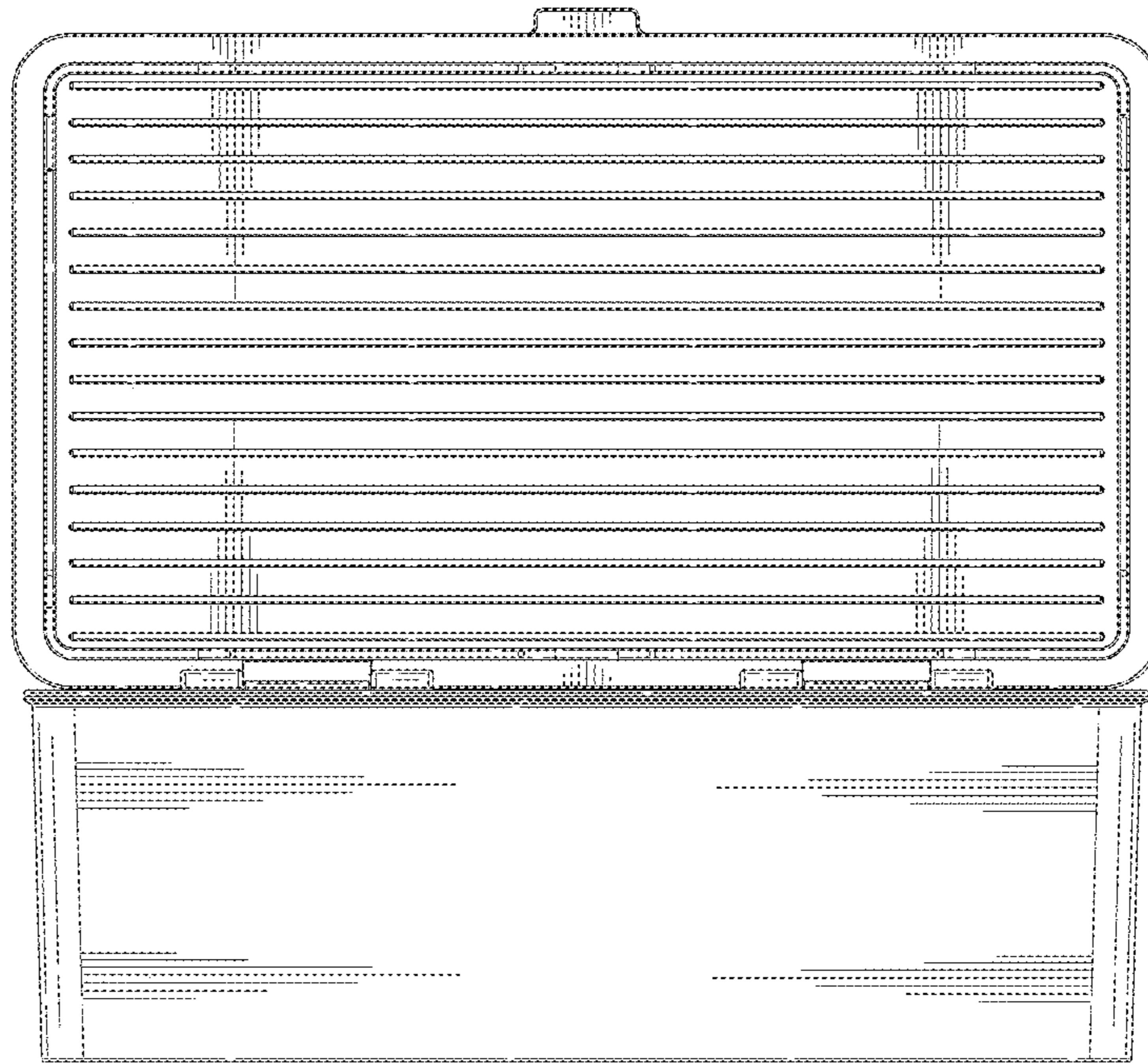


FIG. 3

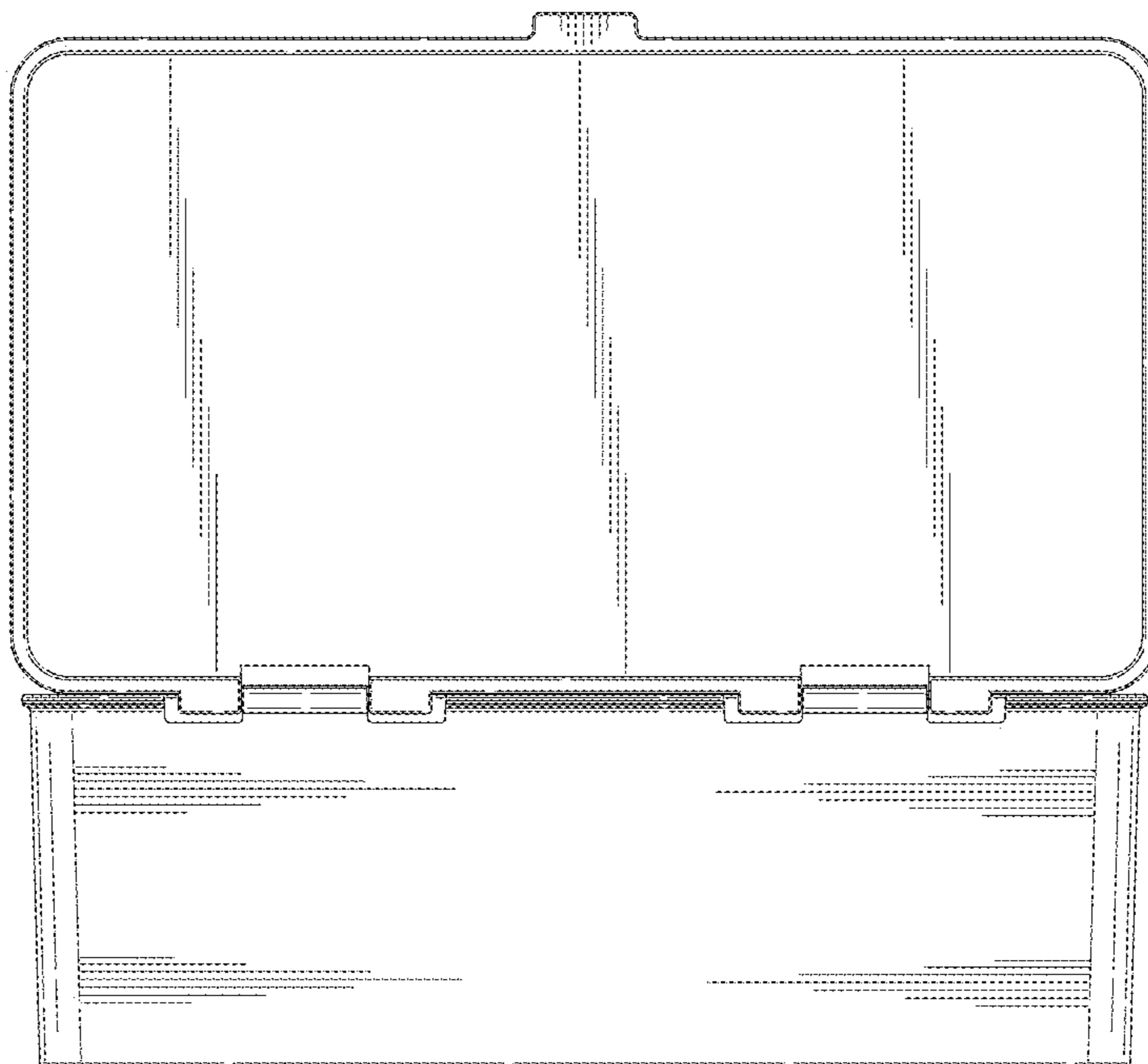


FIG. 4

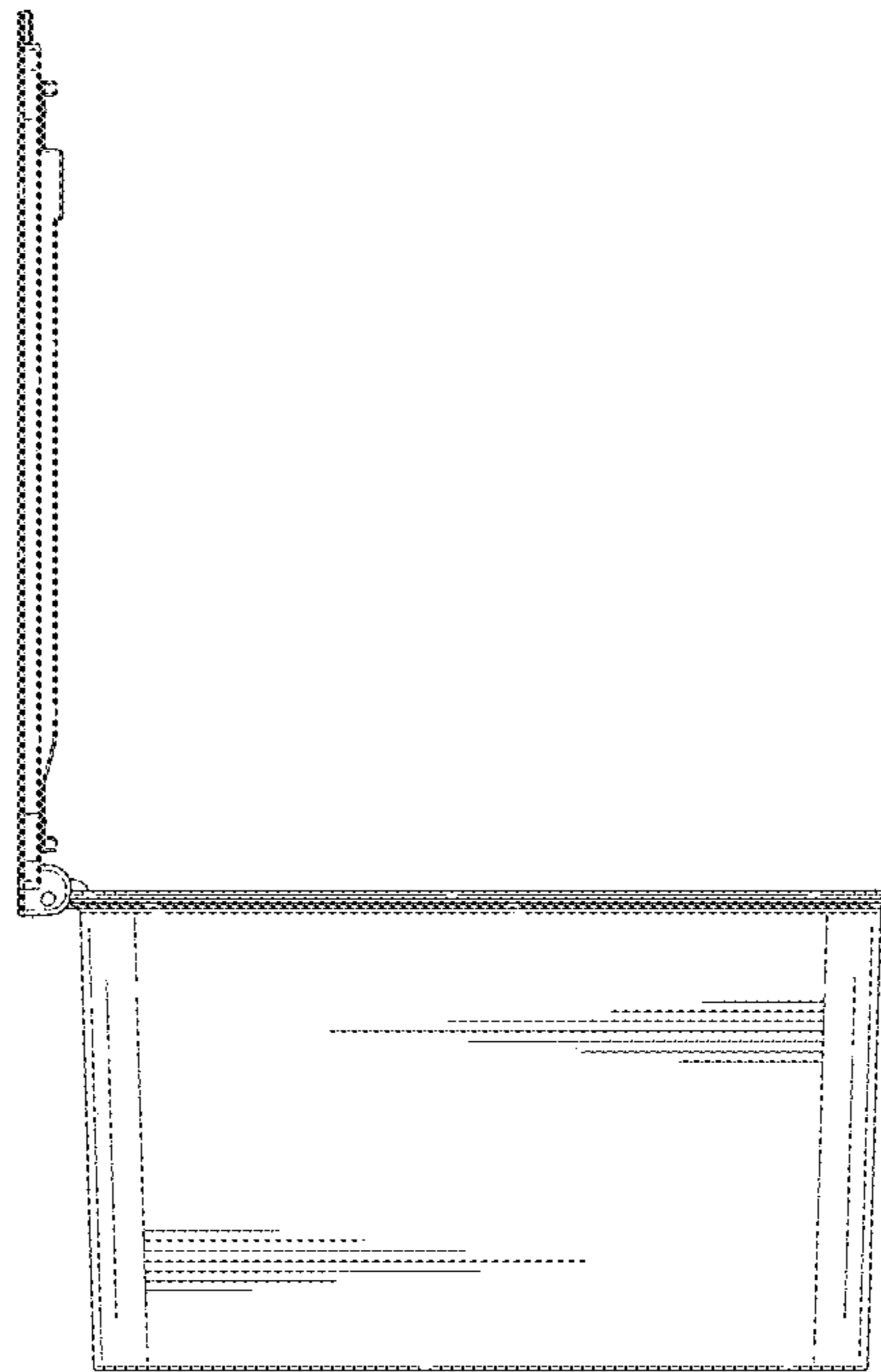


FIG. 5

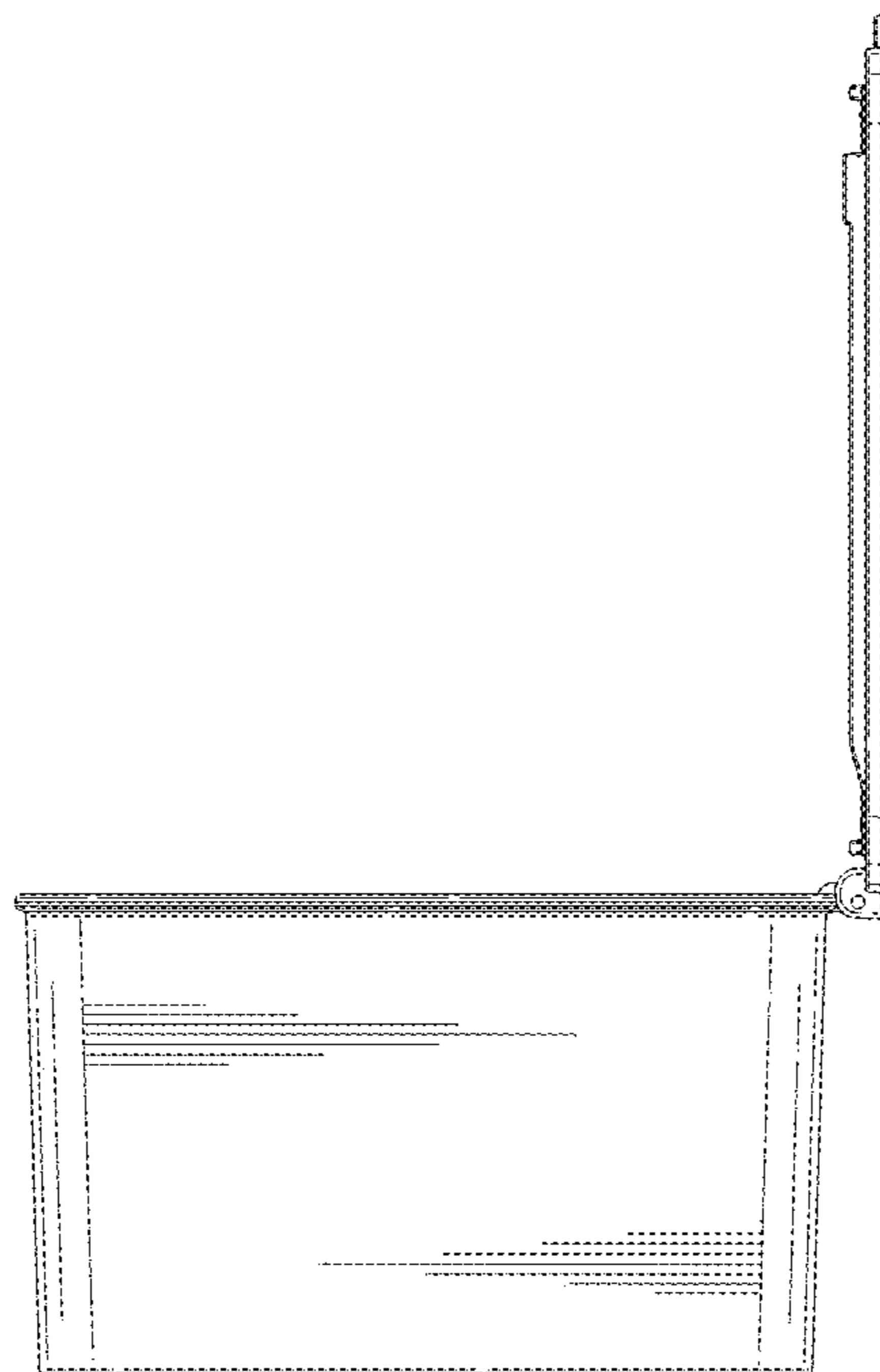


FIG. 6

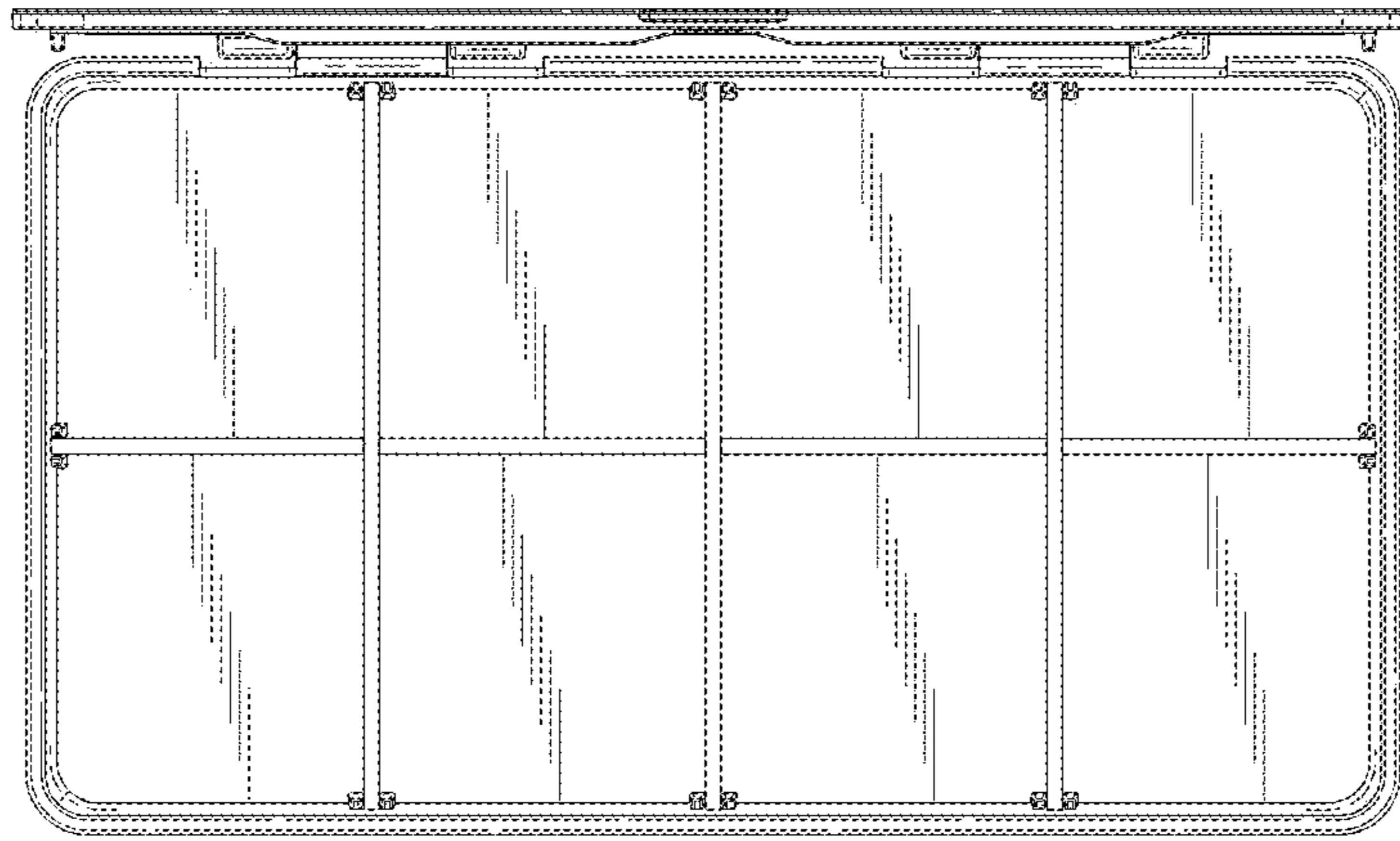


FIG. 7

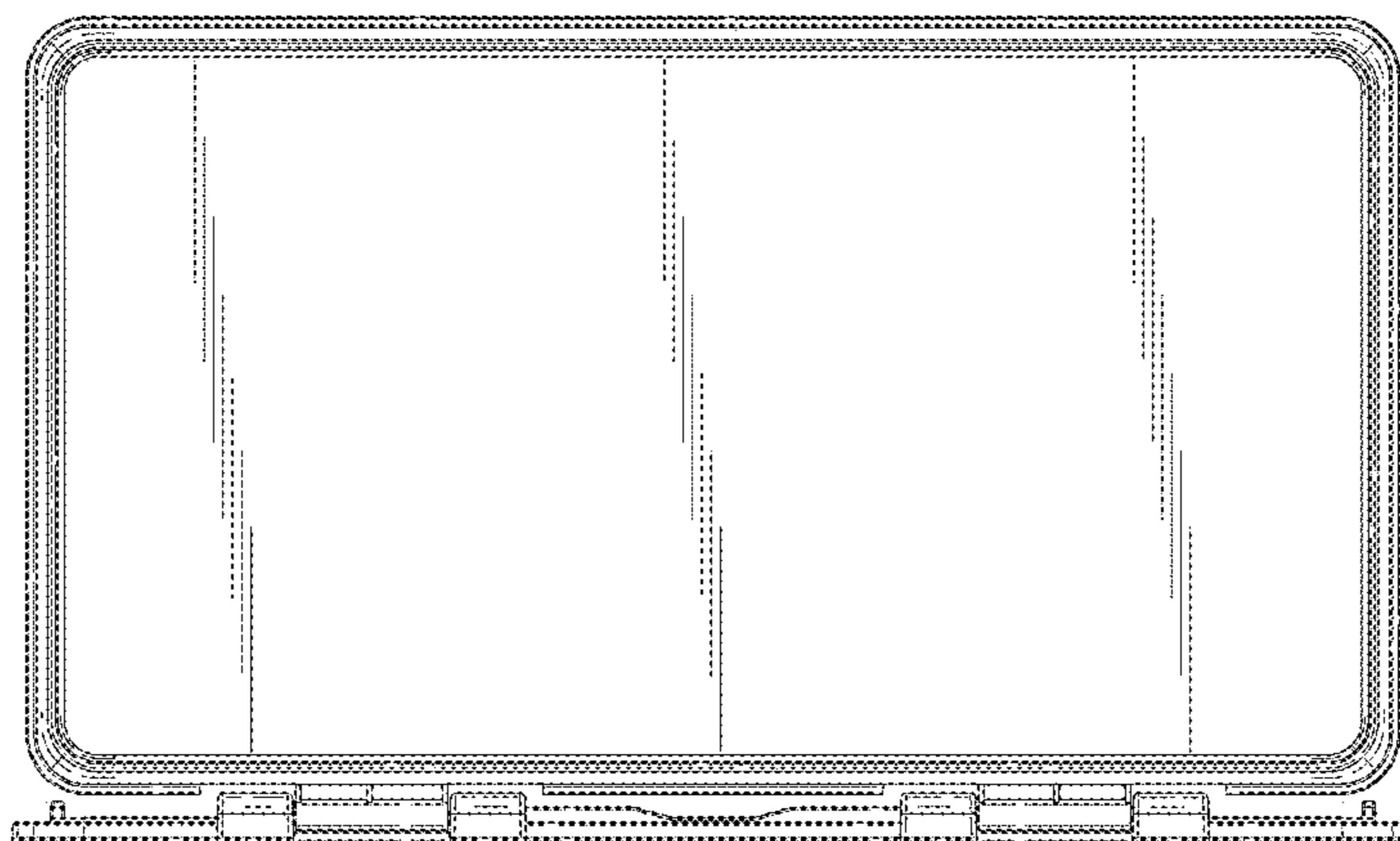


FIG. 8

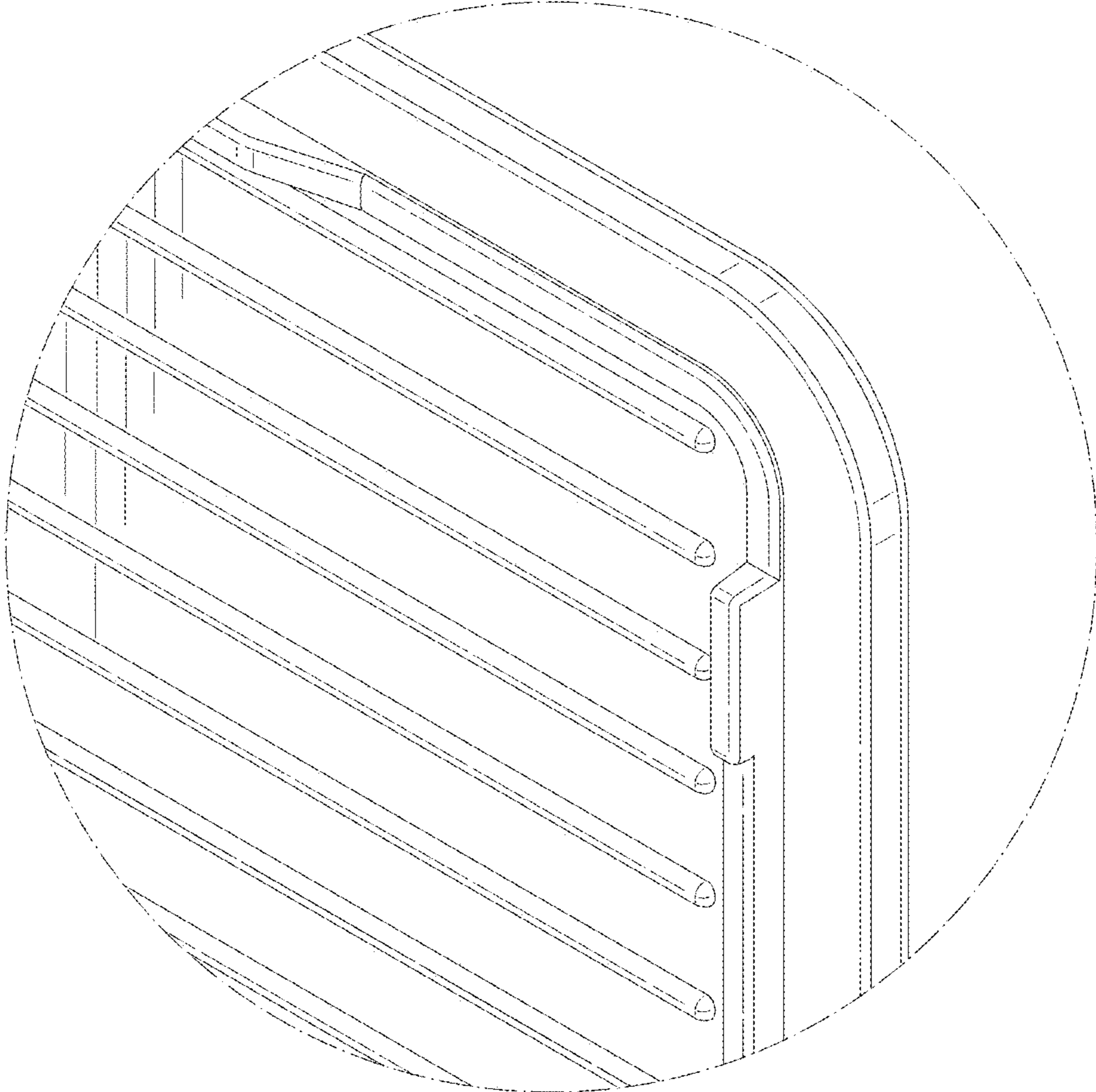


FIG. 9

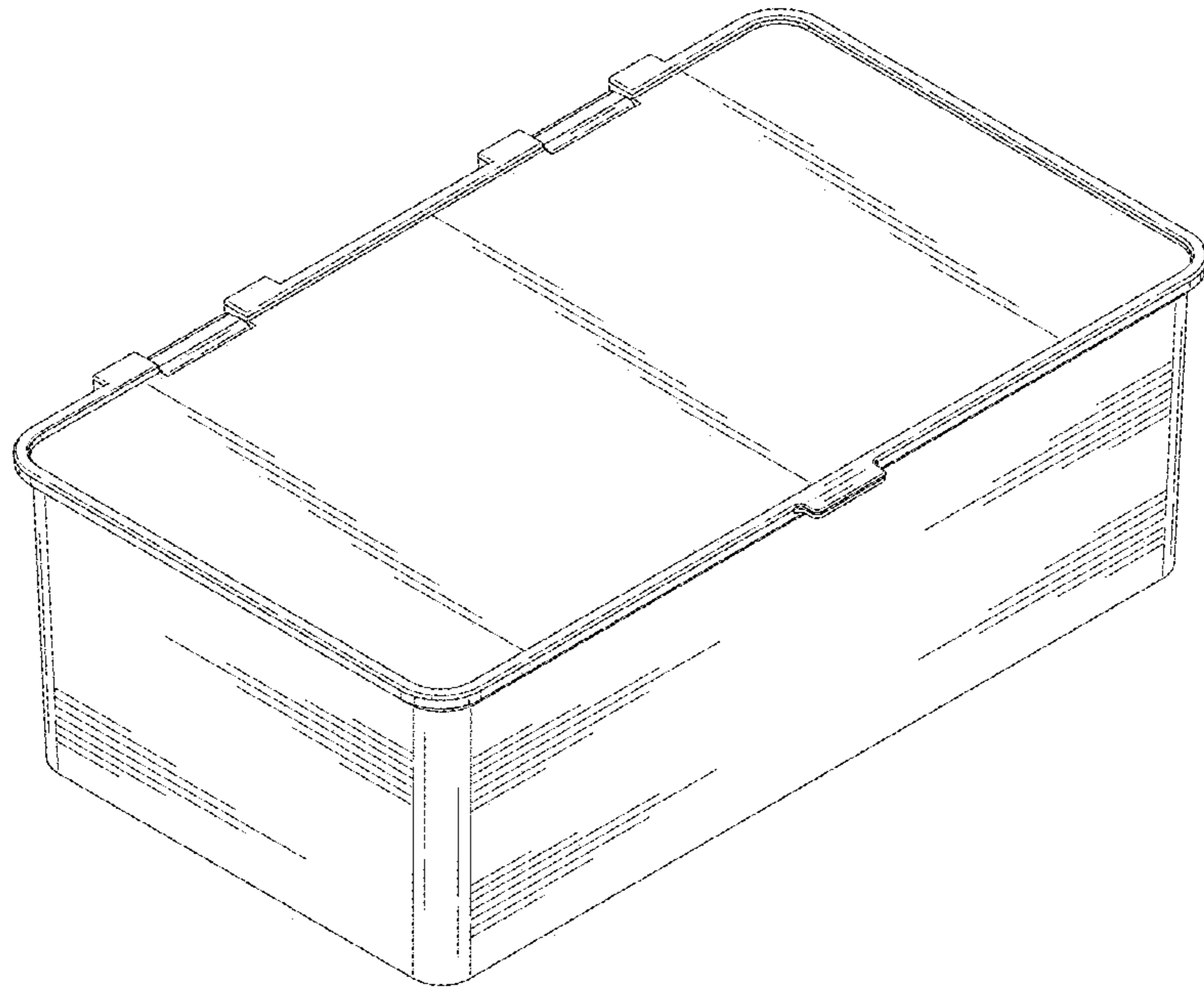


FIG.10

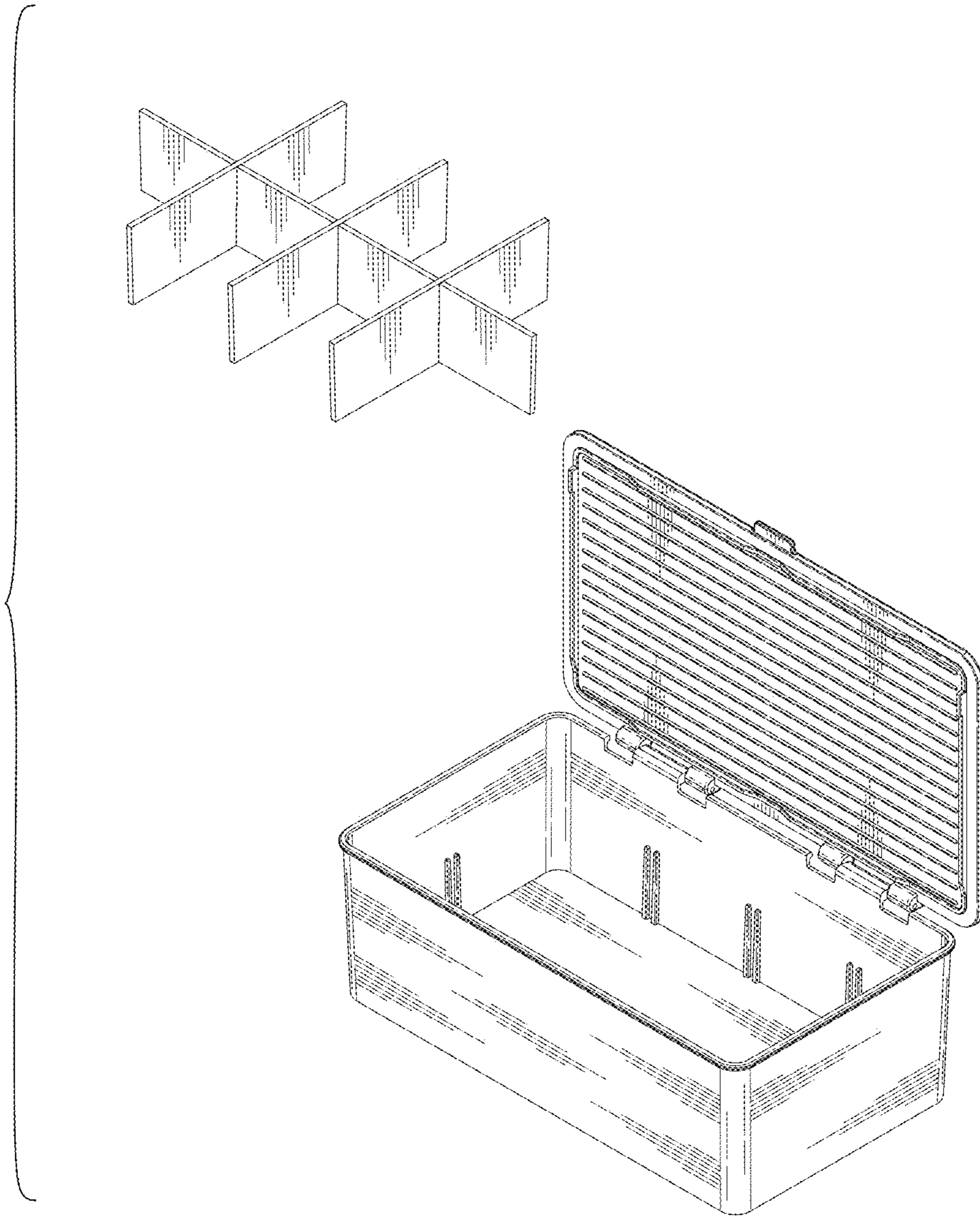


FIG.11

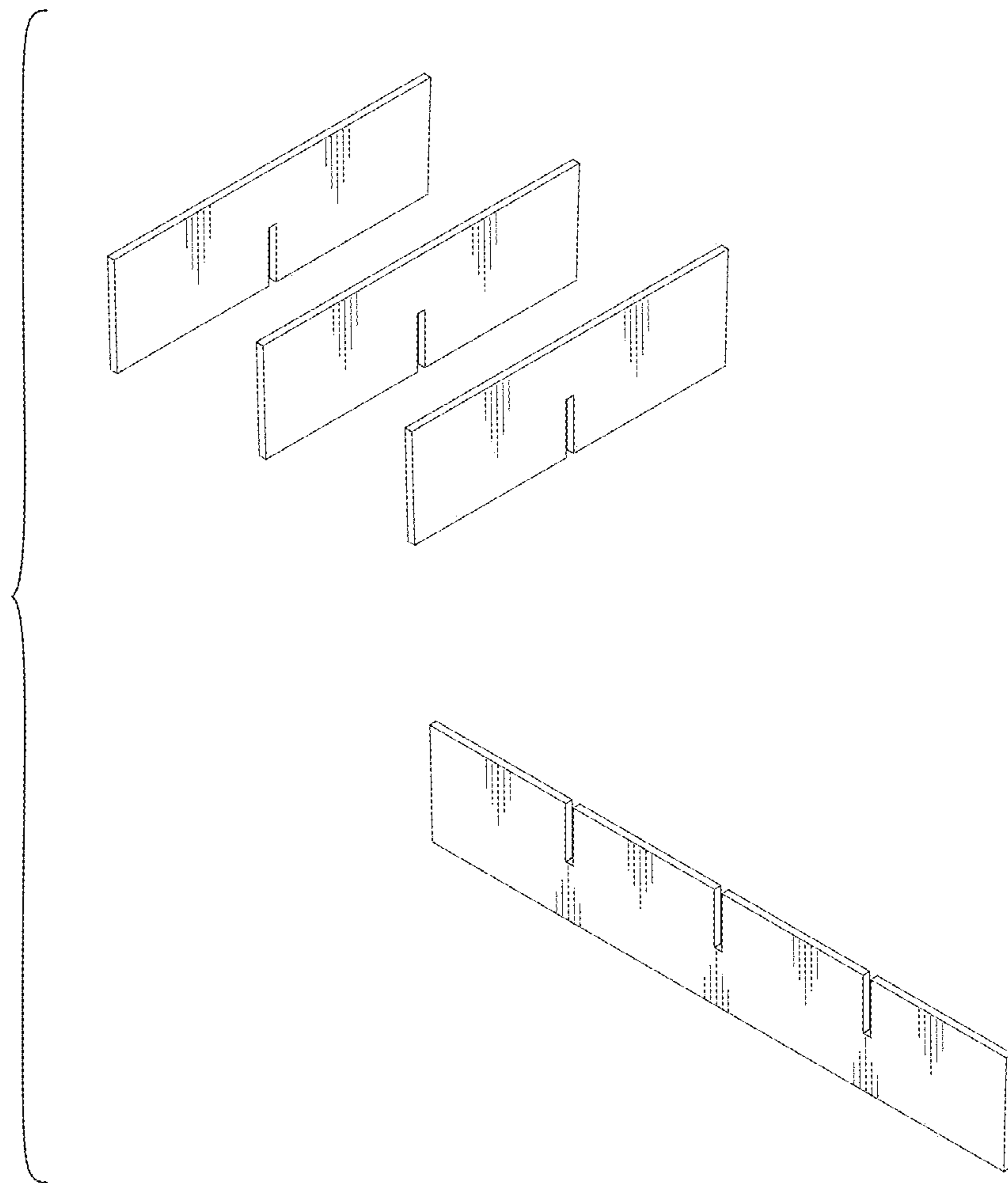


FIG.12

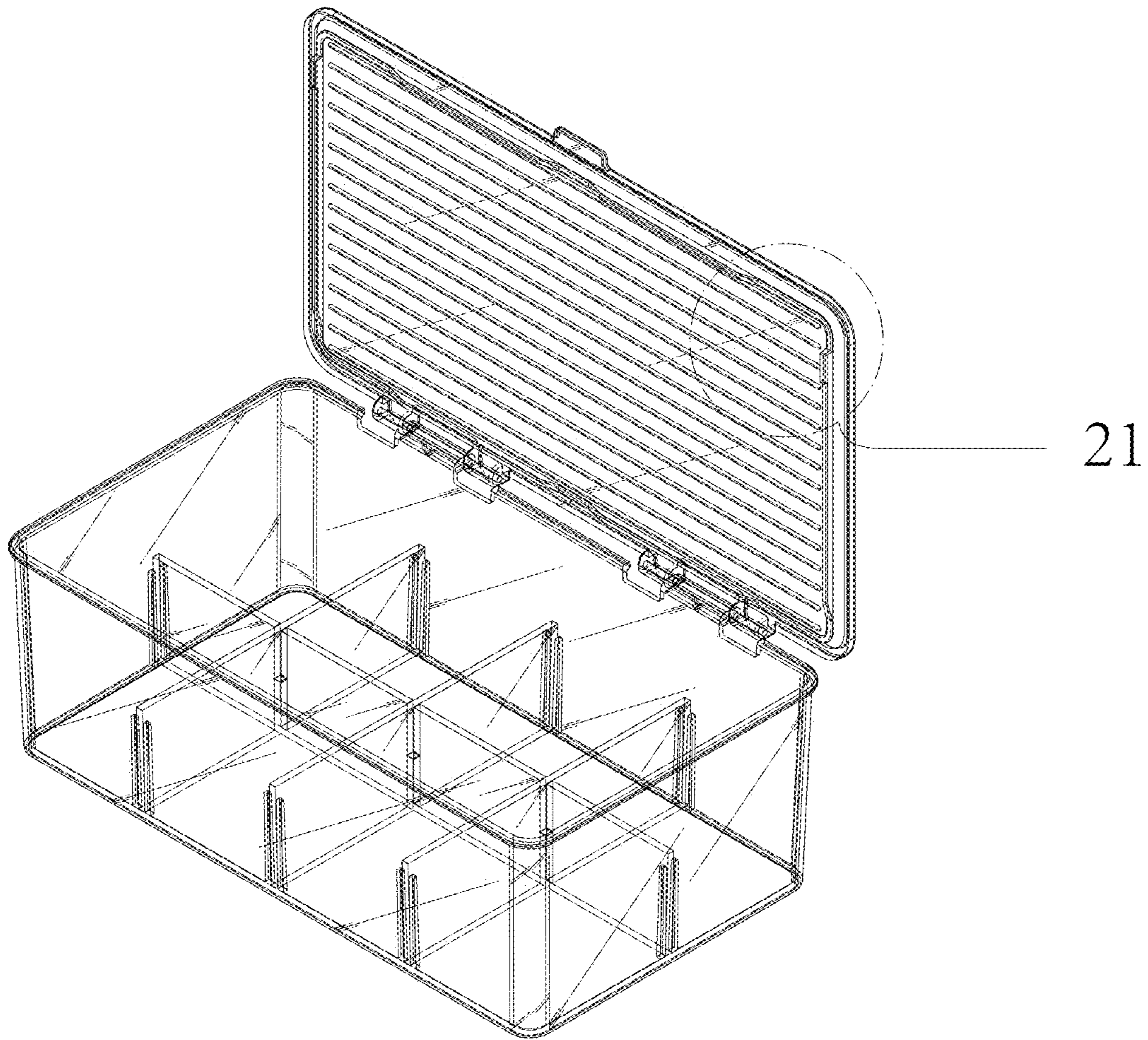


FIG.13

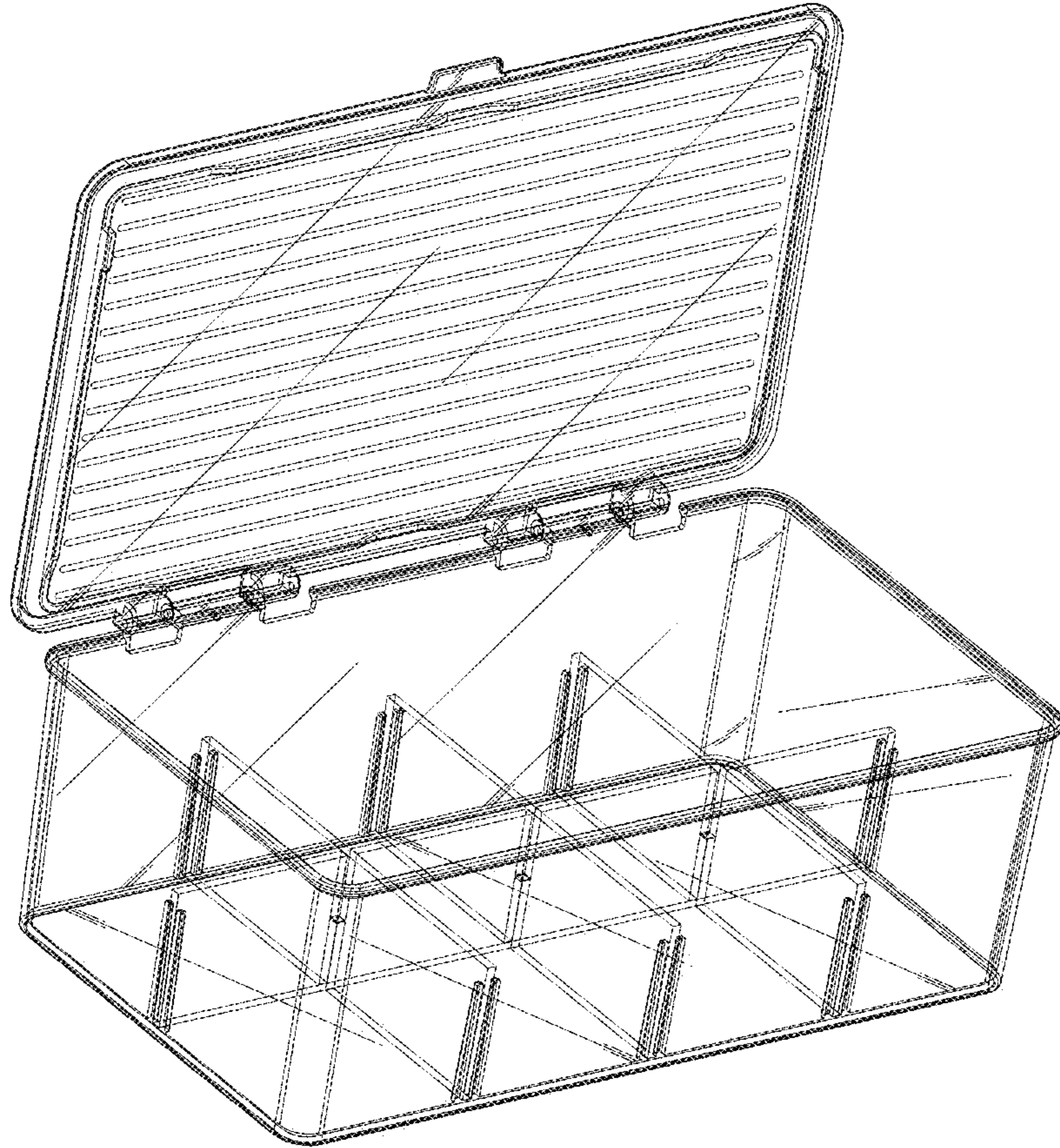


FIG.14

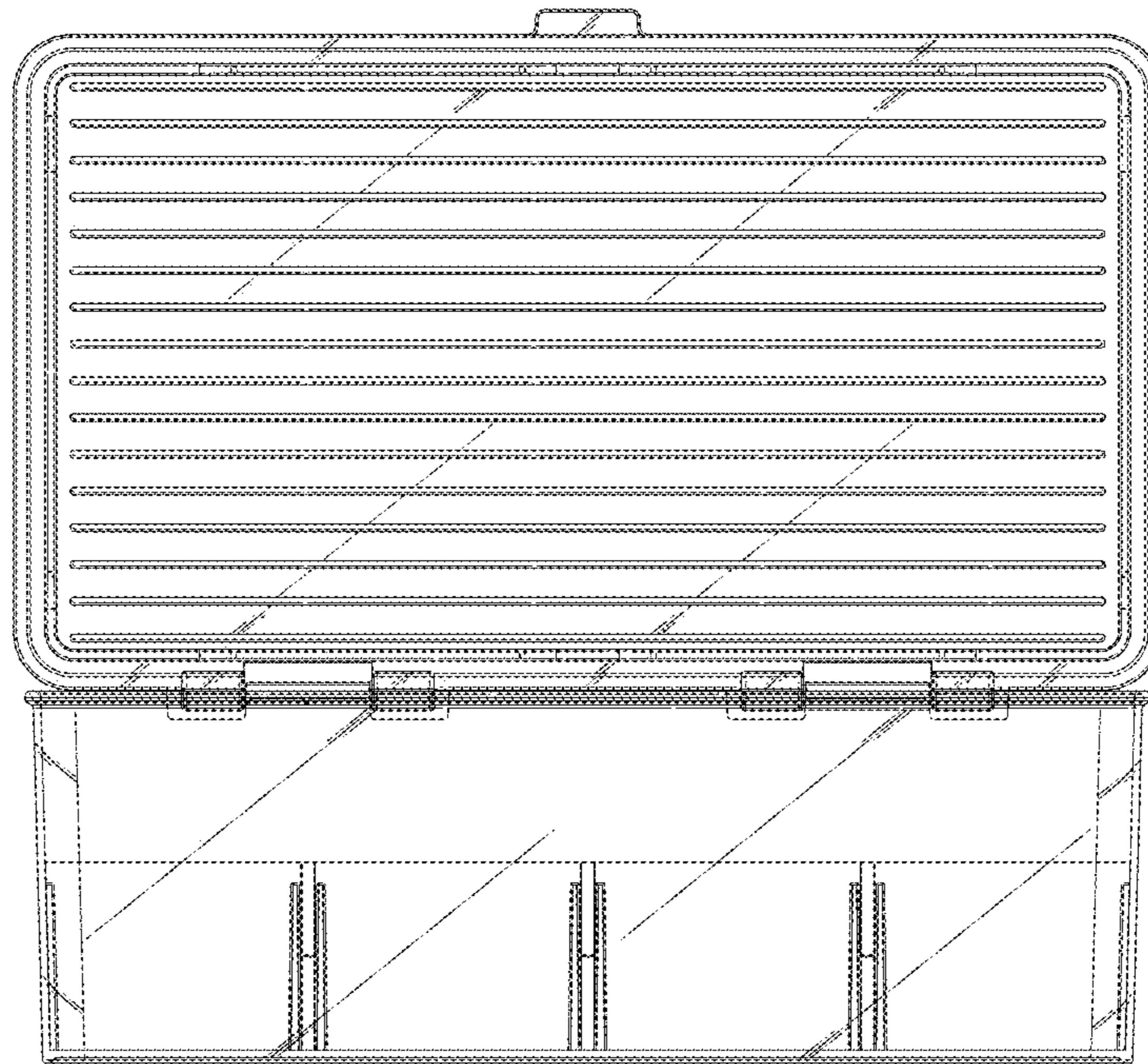


FIG. 15

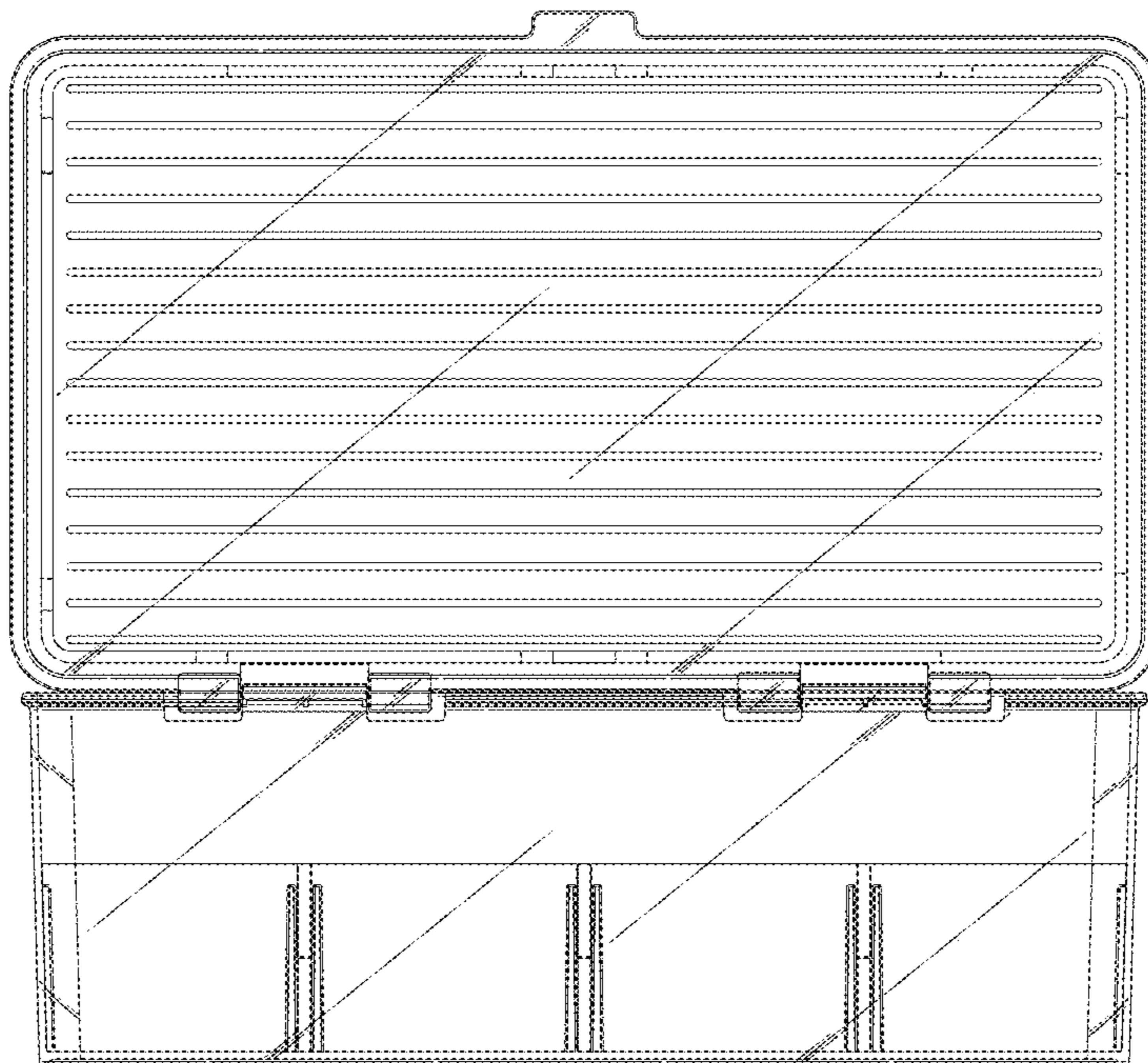


FIG. 16

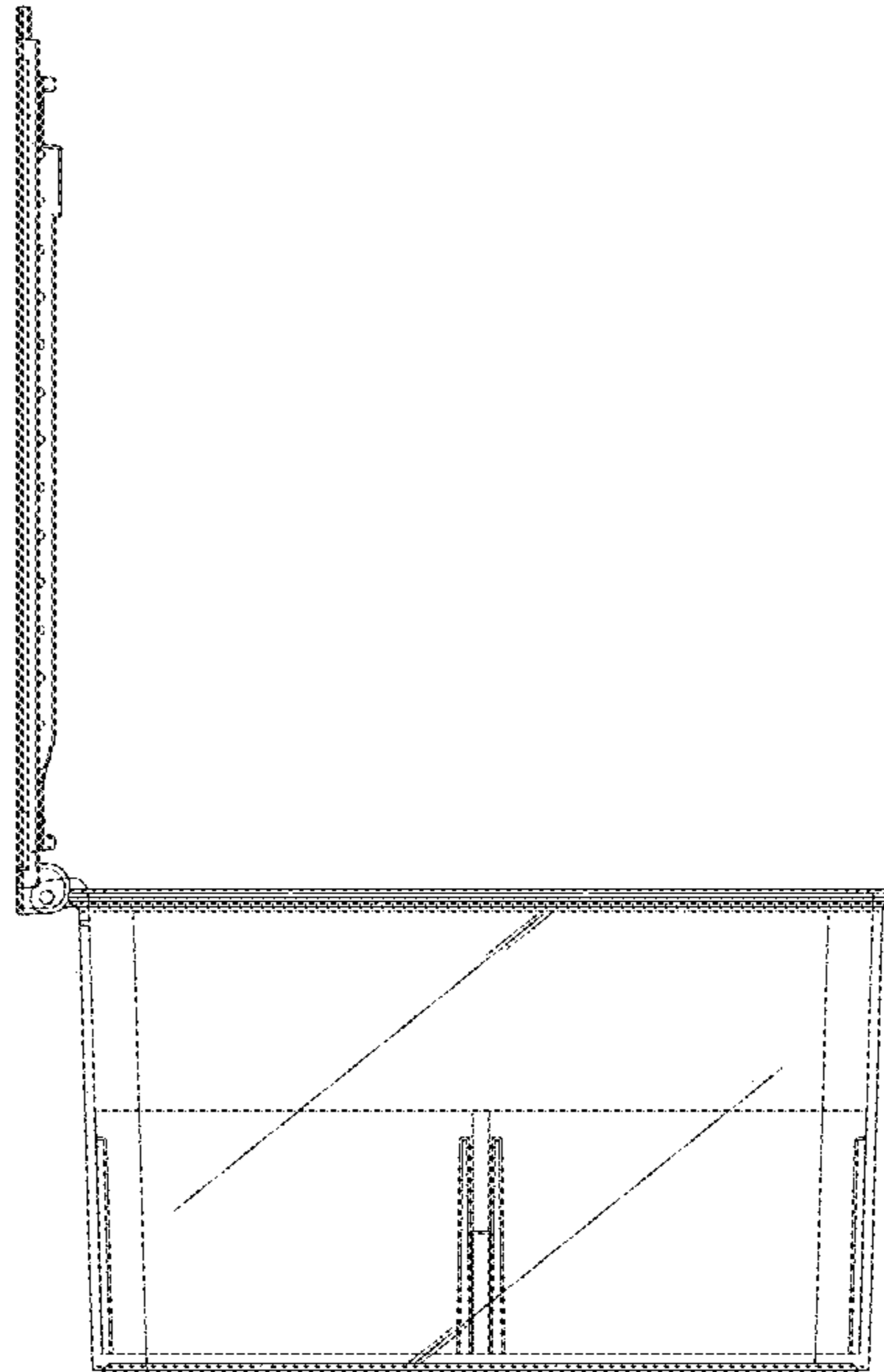


FIG. 17

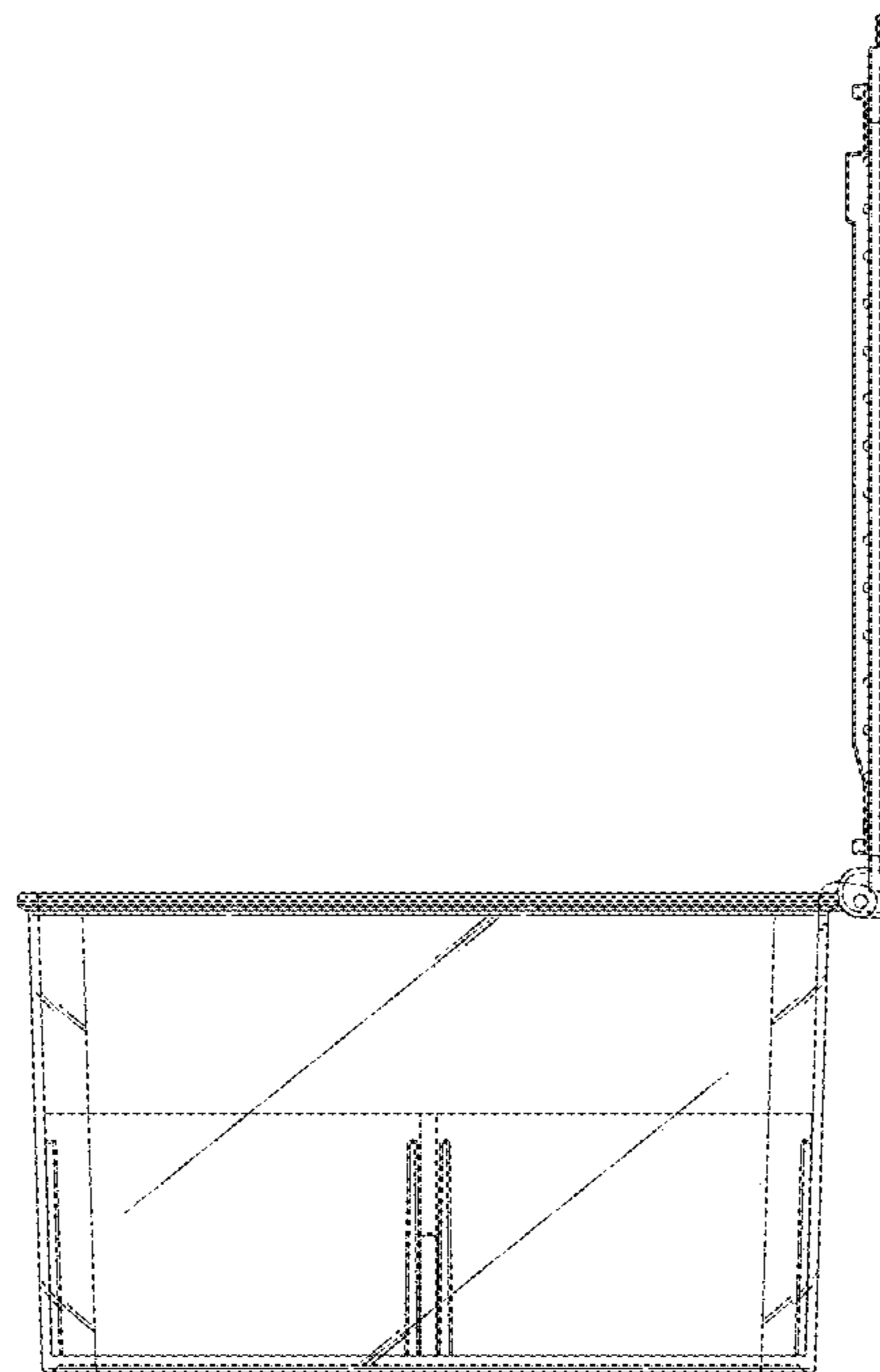


FIG. 18

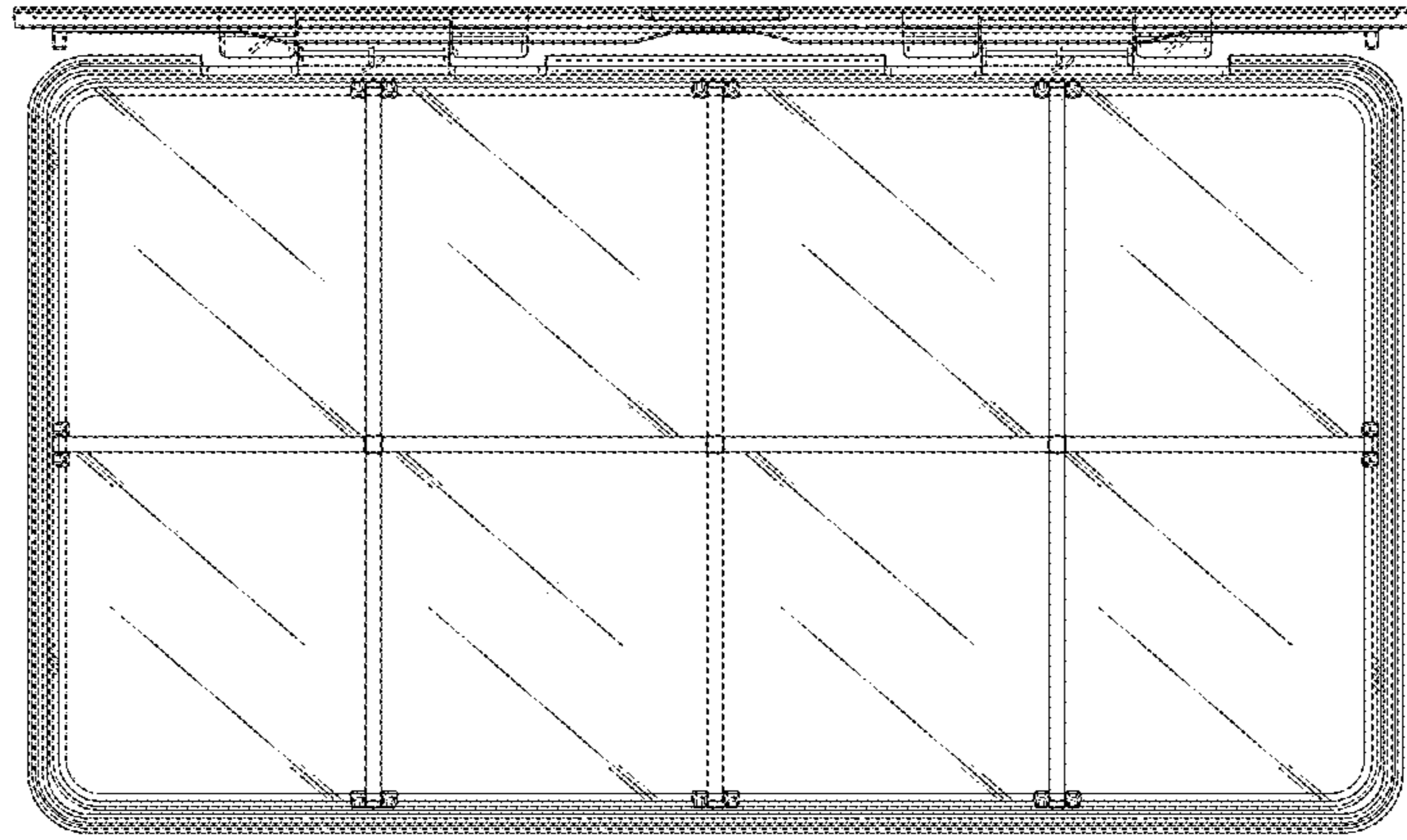


FIG.19

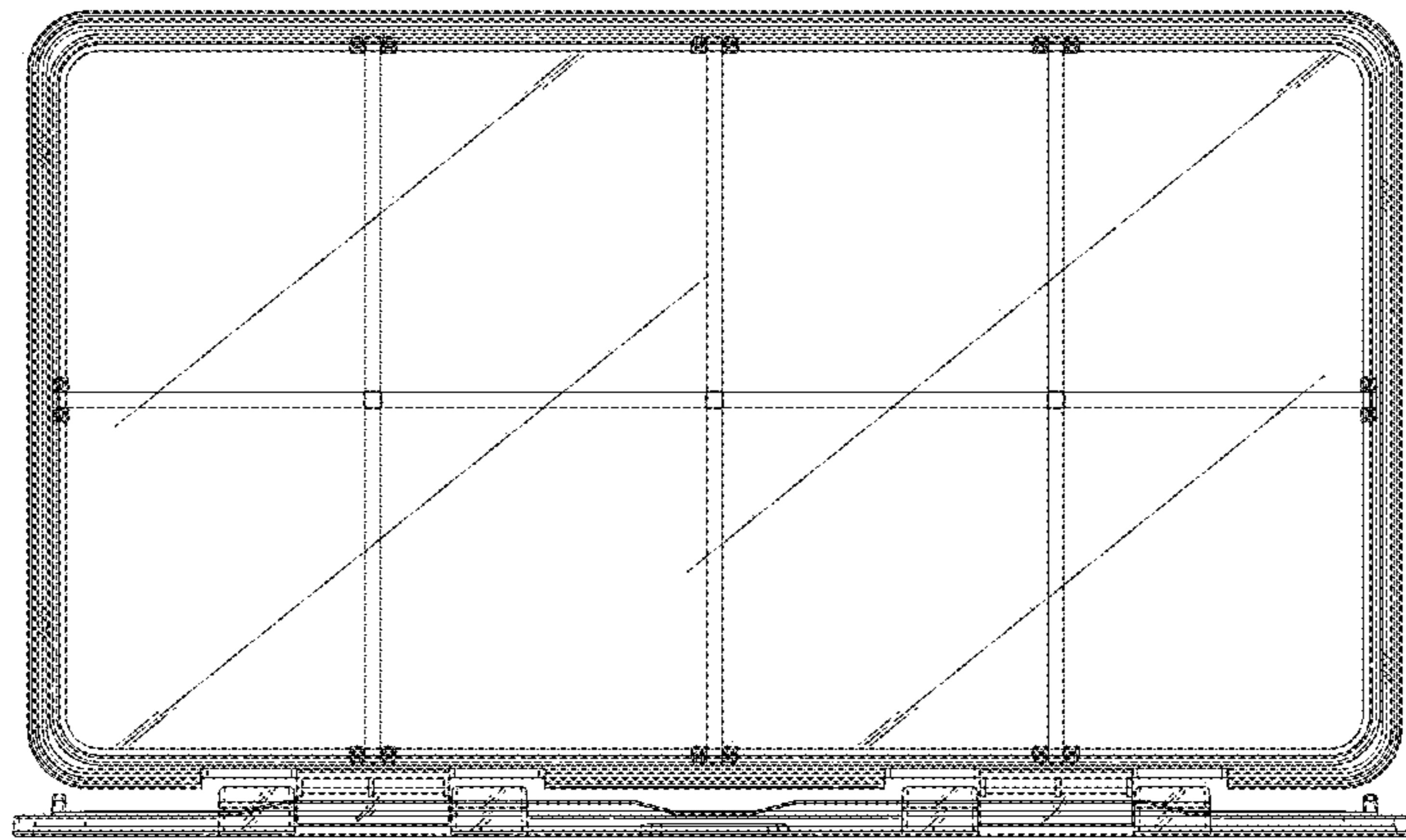


FIG.20

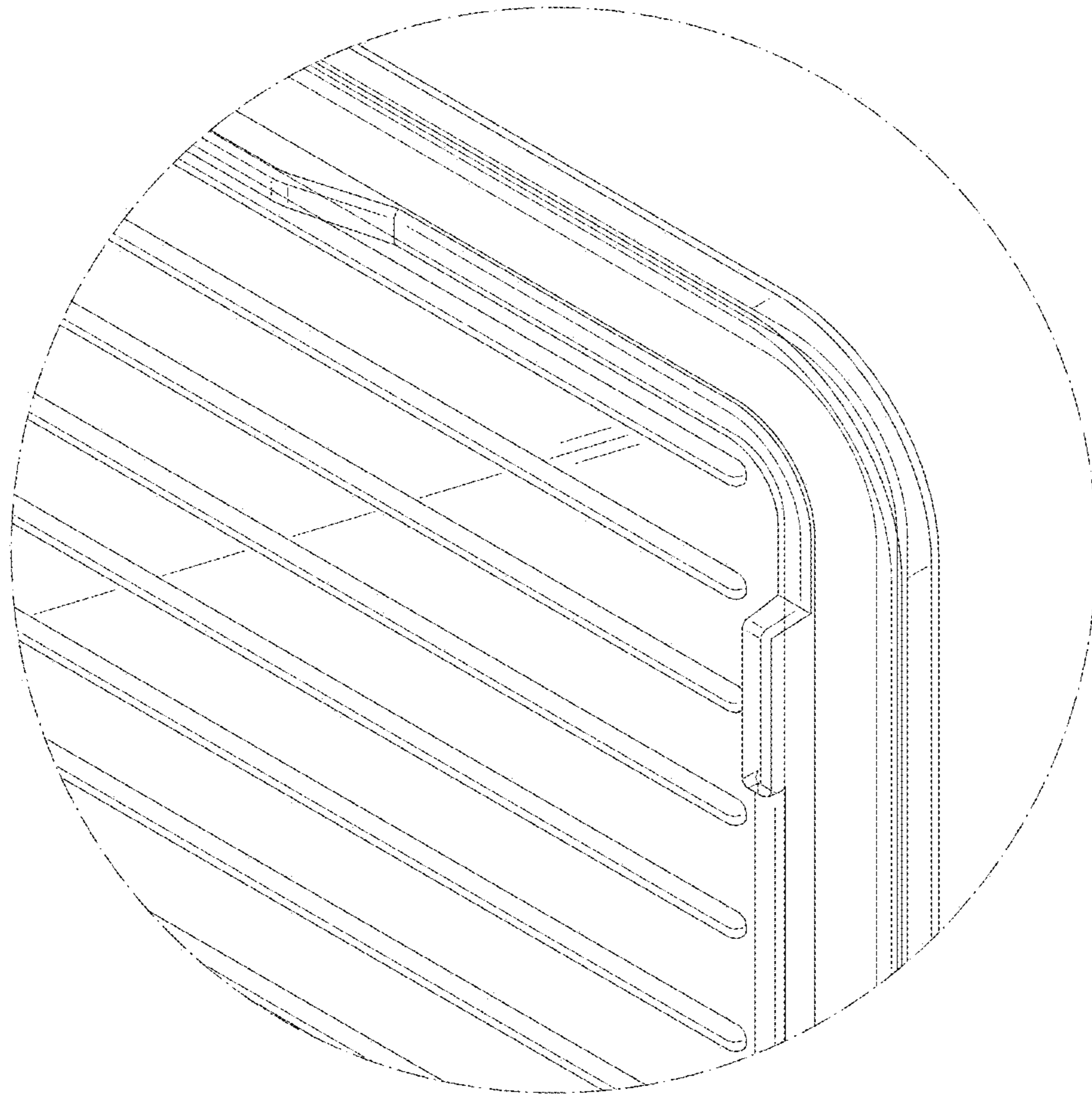


FIG. 21

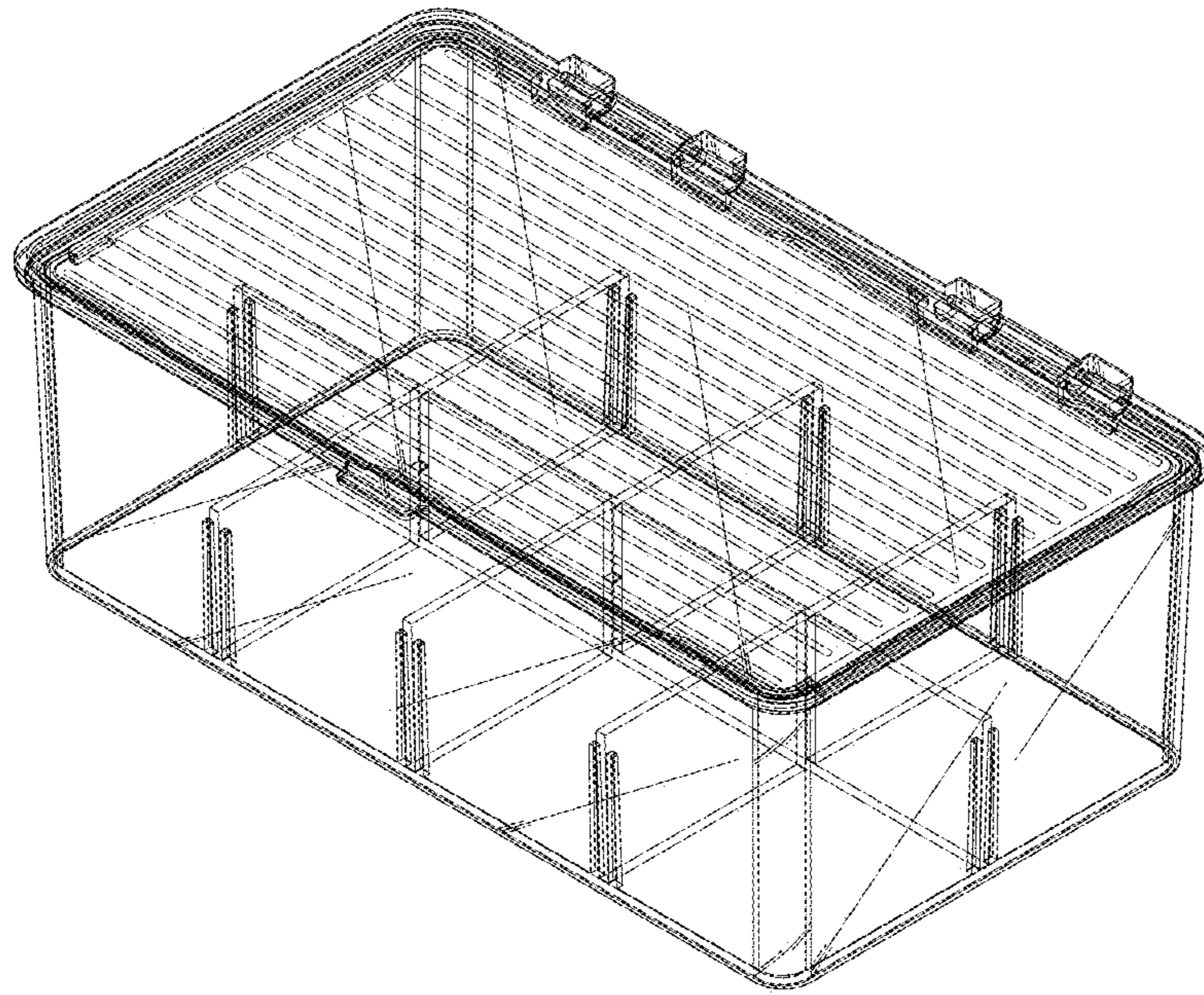


FIG.22

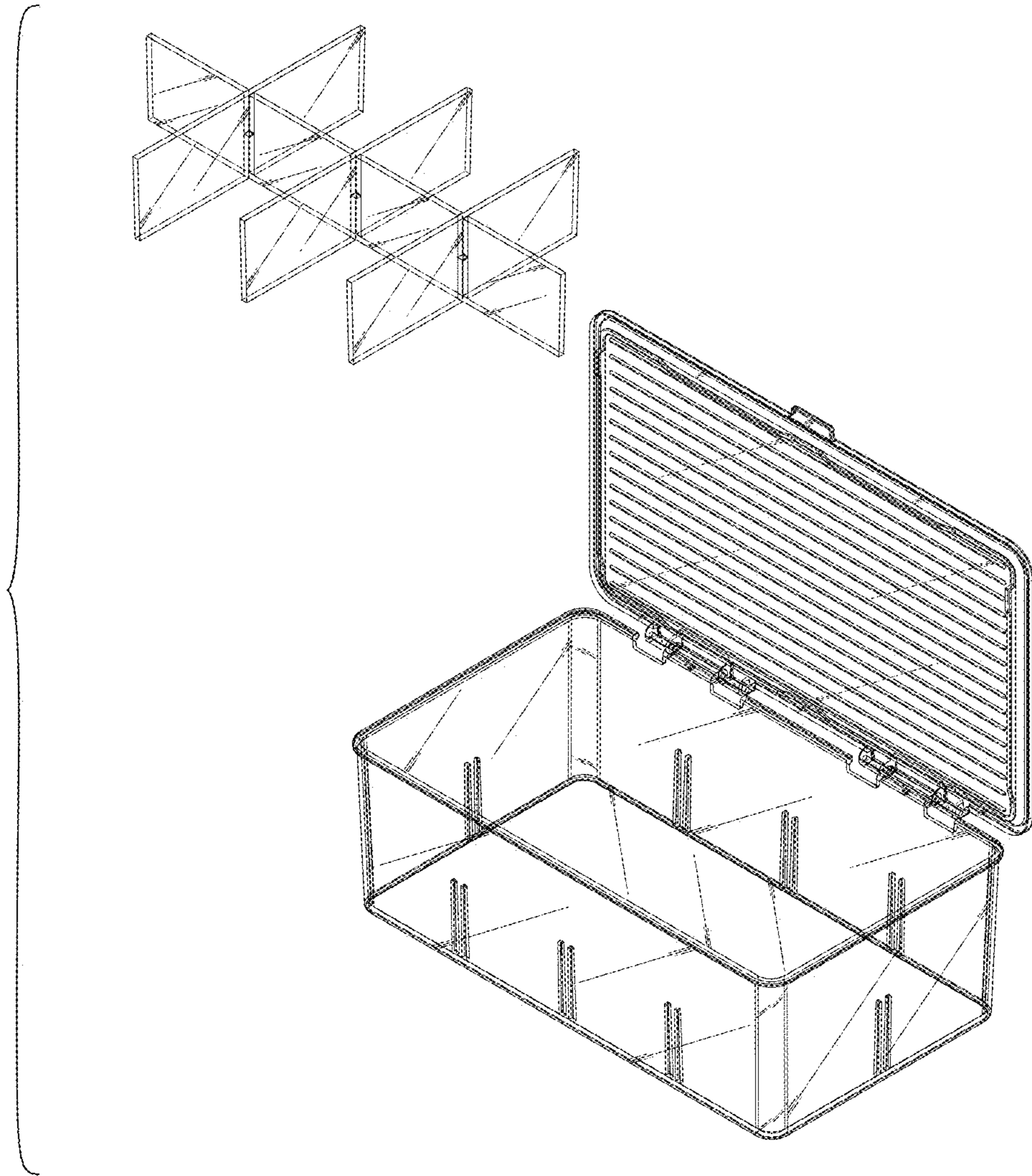


FIG.23

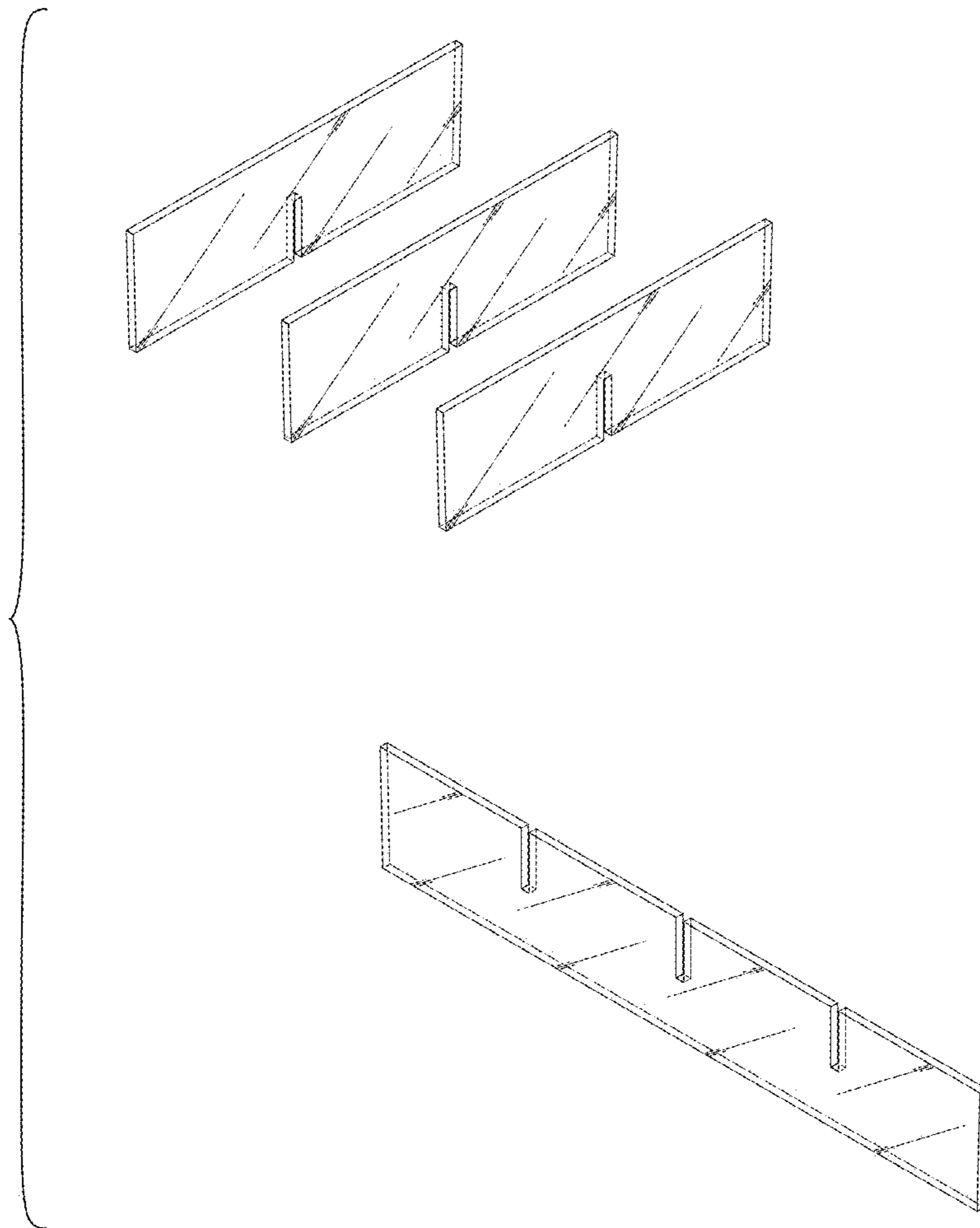


FIG.24