



US00D968808S

(12) **United States Design Patent** (10) **Patent No.:** **US D968,808 S**  
**Adin et al.** (45) **Date of Patent:** **\*\* Nov. 8, 2022**

(54) **CANTILEVER TOOL BOX** D513,123 S \* 12/2005 Richardson ..... D3/273  
D709,697 S \* 7/2014 Brunner ..... D3/281  
(71) Applicant: **The Stanley Works Israel Ltd.**, Rosh D744,750 S \* 12/2015 Sabbag ..... D3/281  
Ha' Ayin (IL) D857,388 S \* 8/2019 Shpitzer ..... D3/281  
2010/0012538 A1\* 1/2010 Brunner ..... E05C 1/10  
206/373

(72) Inventors: **Lev Adin**, Rehovot (IL); **Sharon Bar-Erez**, Gan Yehoshia (IL)

FOREIGN PATENT DOCUMENTS

(73) Assignee: **The Stanley Works Israel Ltd.**, Rosh Ha' Ayin (IL)

CA 158532 \* 4/2015  
CN 301961362 \* 6/2012

(Continued)

(\*\*) Term: **15 Years**

OTHER PUBLICATIONS

(21) Appl. No.: **29/744,283**

Amazon.ca, Site visited Jan. 4, 2022, Navaris Tool Box, First available Feb. 8, 2020, <https://www.amazon.ca/Navaris-Tool-Box-Inch-Multi-Purpose/dp/B07M6L6HJM> (Year: 2020).\*

(22) Filed: **Jul. 28, 2020**

(Continued)

(30) **Foreign Application Priority Data**

Feb. 9, 2020 (EM) ..... 007680749-0001

(51) **LOC (13) Cl.** ..... **03-01**

(52) **U.S. Cl.**  
USPC ..... **D3/281**; D3/273; D3/294

*Primary Examiner* — Brett Miller

*Assistant Examiner* — Jessica M Gebhart

(74) *Attorney, Agent, or Firm* — Bruce S. Shapiro

(58) **Field of Classification Search**  
USPC ..... D3/272, 273, 274, 275, 276, 279, 281,  
D3/282, 283, 284, 285, 289, 294, 301,  
D3/318, 319, 321, 900, 901, 902, 903,  
D3/904, 905, 328, 204, 322; D8/323,  
D8/324, 325, 326, 327, 328, 329, 383,  
D8/403  
CPC .... A45C 5/00; A45C 5/14; A45C 5/03; A45C  
13/03  
See application file for complete search history.

(57) **CLAIM**

The ornamental design for a cantilever tool box, as shown and described.

**DESCRIPTION**

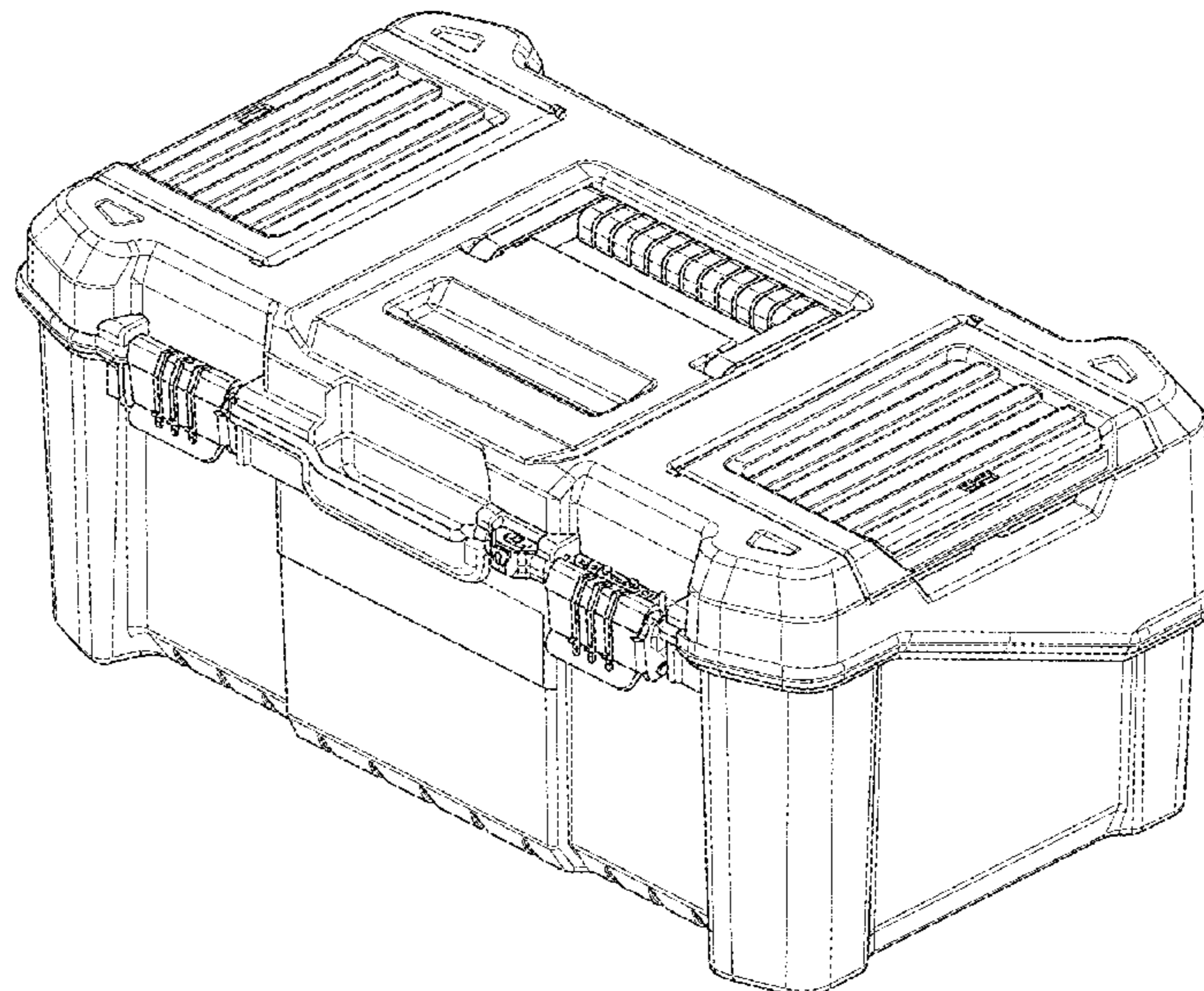
FIG. 1 is a perspective view of the front side of the new design;  
FIG. 2 is a plan view of the top side thereof;  
FIG. 3 is a plan view of the bottom side thereof;  
FIG. 4 is a plan view of the right side thereof;  
FIG. 5 is a plan view of the left side thereof;  
FIG. 6 is a plan view of the front side thereof; and,  
FIG. 7 is a plan view of the back side thereof.  
The broken lines illustrate portions of the cantilever tool box and form no part of the claimed design.

(56) **References Cited**

U.S. PATENT DOCUMENTS

D266,631 S \* 10/1982 Crutchfield ..... D3/294  
D287,788 S \* 1/1987 Shames ..... D19/76  
5,169,018 A \* 12/1992 Fiore ..... A45C 7/0045  
206/315.11  
D332,524 S \* 1/1993 Gray ..... D3/284

**1 Claim, 7 Drawing Sheets**



(56)

**References Cited**

FOREIGN PATENT DOCUMENTS

CN	303381338	*	9/2015
CN	303525531	*	12/2015
CN	305443339	*	11/2019
CN	305701691	*	4/2020
EM	002562322-0003	*	10/2014

OTHER PUBLICATIONS

Wayfair.com, Site visited Jan. 4, 2022, Homak 19" Tool Box, Oldest review Dec. 9, 2019, <https://www.wayfair.com/storage-organization/pdp/homak-19-tool-box-hmak1035.html> (Year: 2019).\*

Amazon.com, Site visited Apr. 4, 2022, Stanley Tools Essential Toolbox, 19" First available Jan. 30, 2016, <https://www.amazon.com/St Stanley-Tools-Consumer-Storage-STST19331/dp/B01B9KQ18O> (Year: 2016).\*

\* cited by examiner

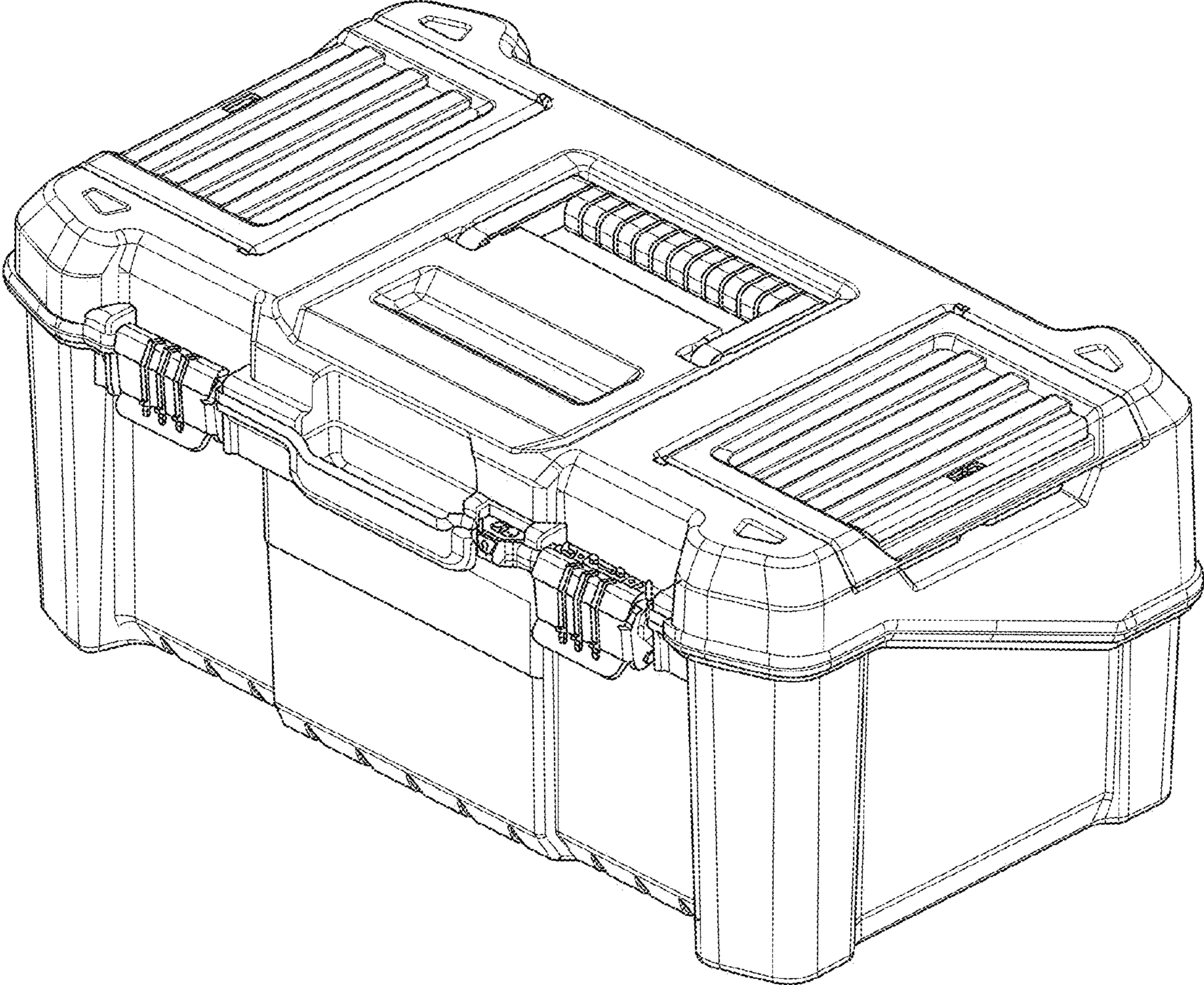


FIG. 1



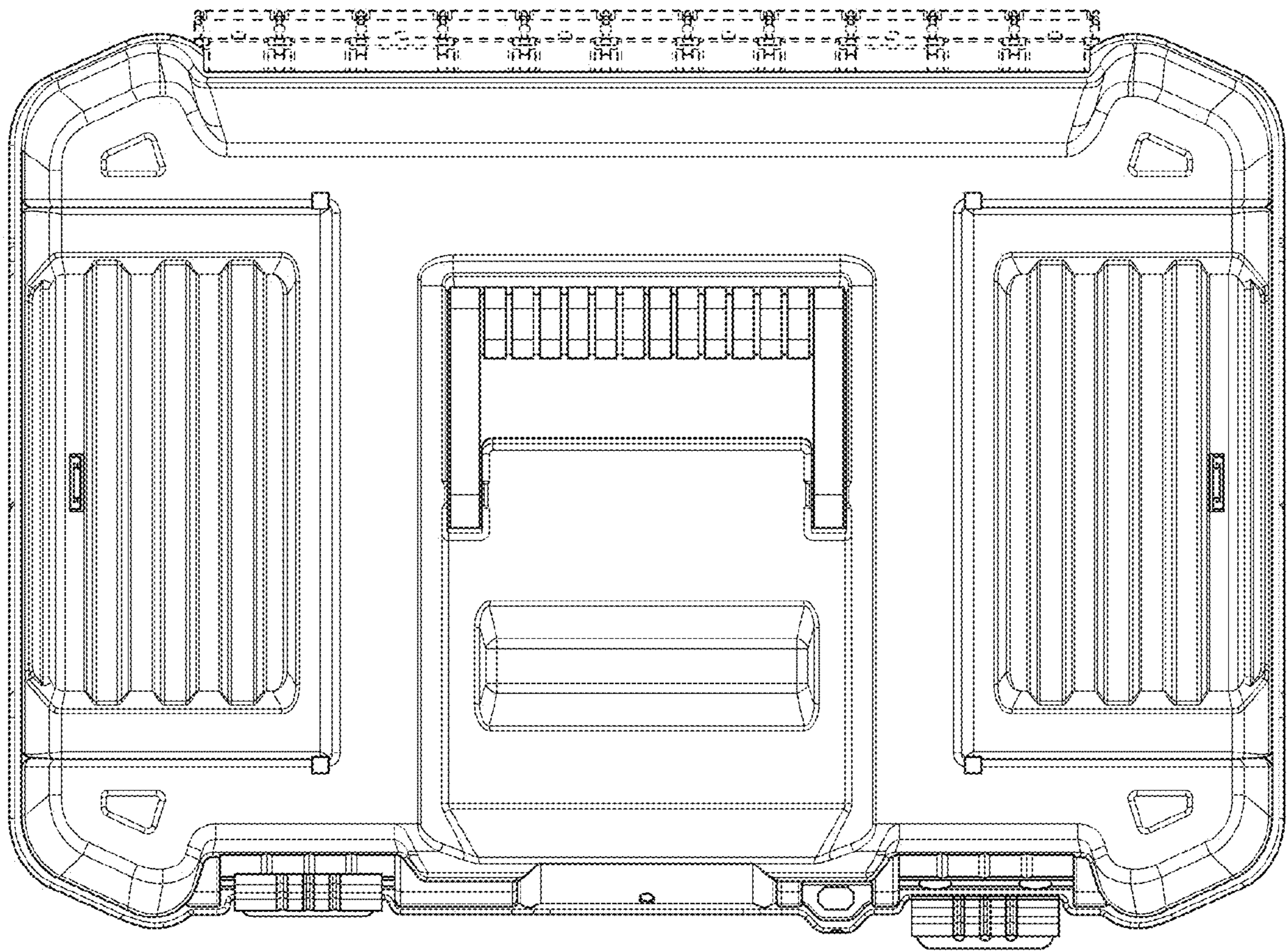


FIG. 2

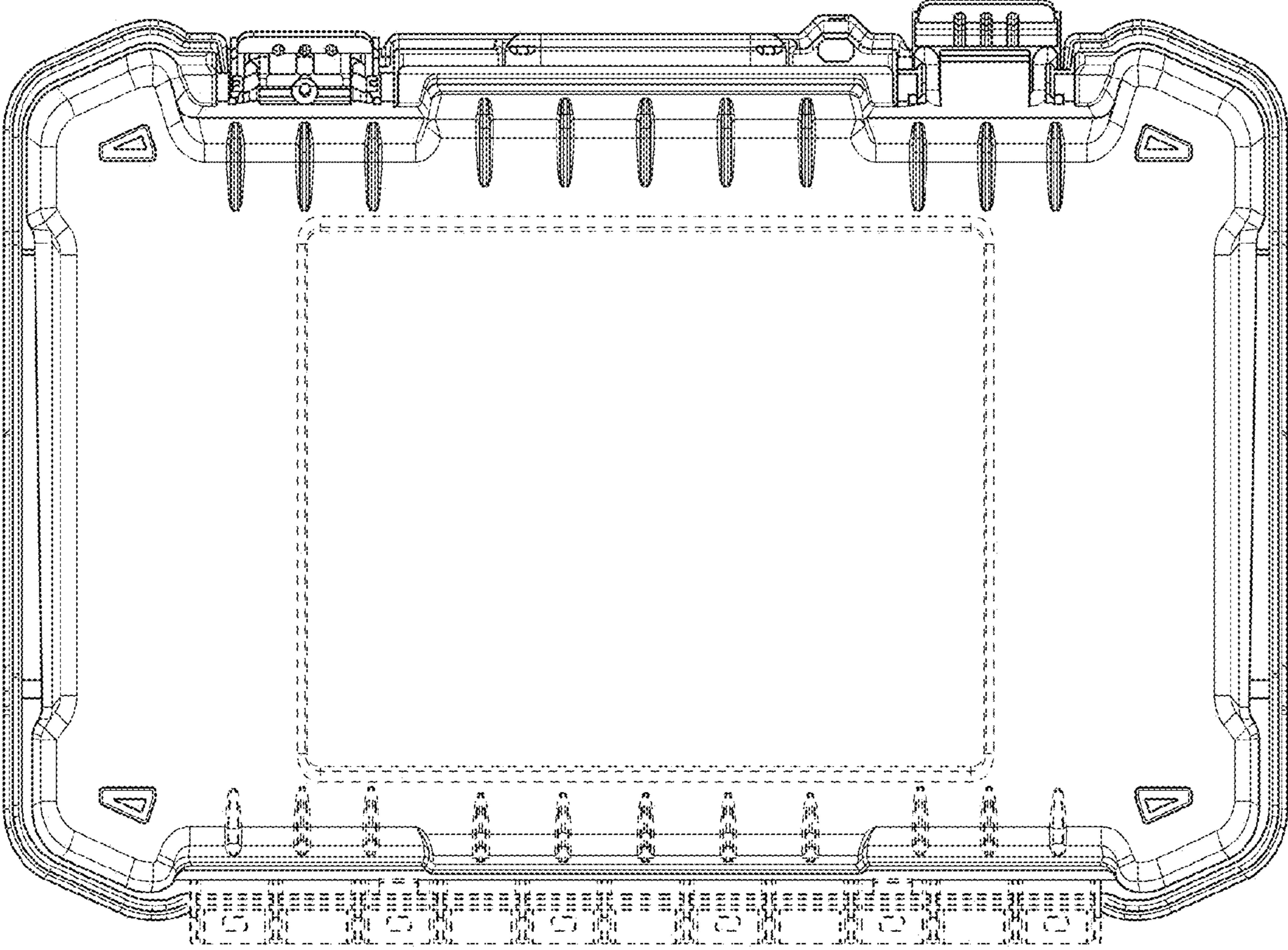


FIG. 3

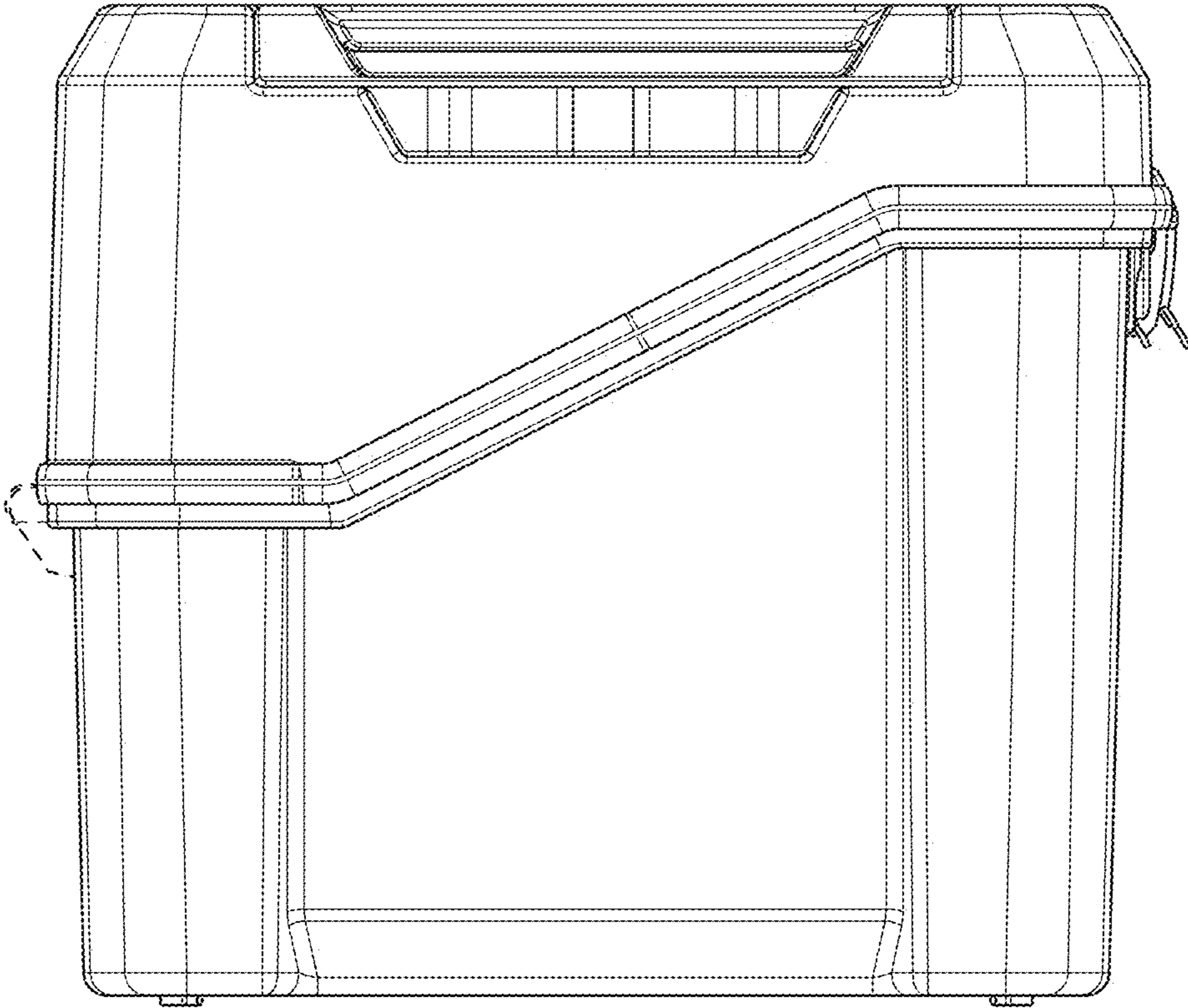


FIG. 4



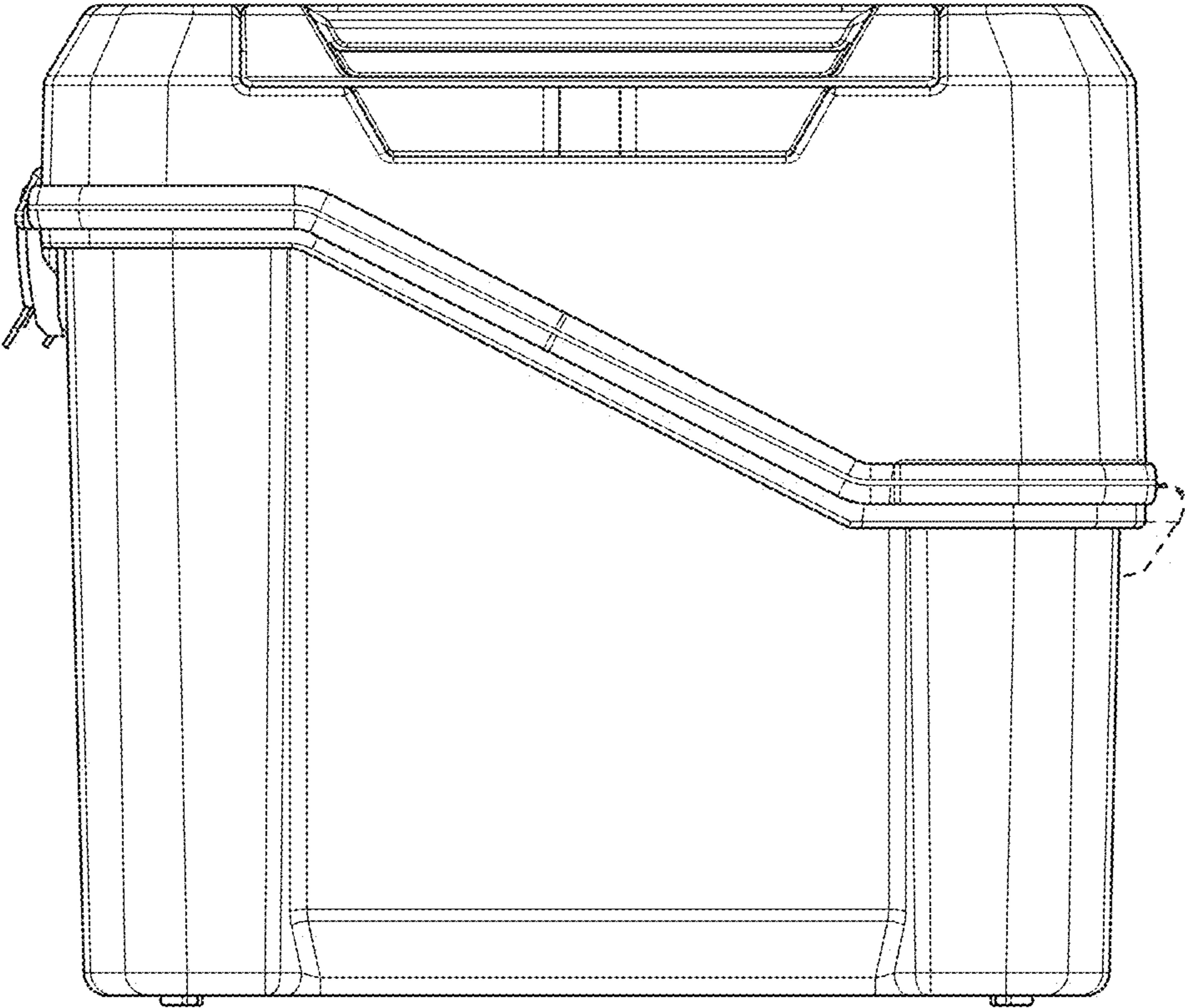


FIG. 5

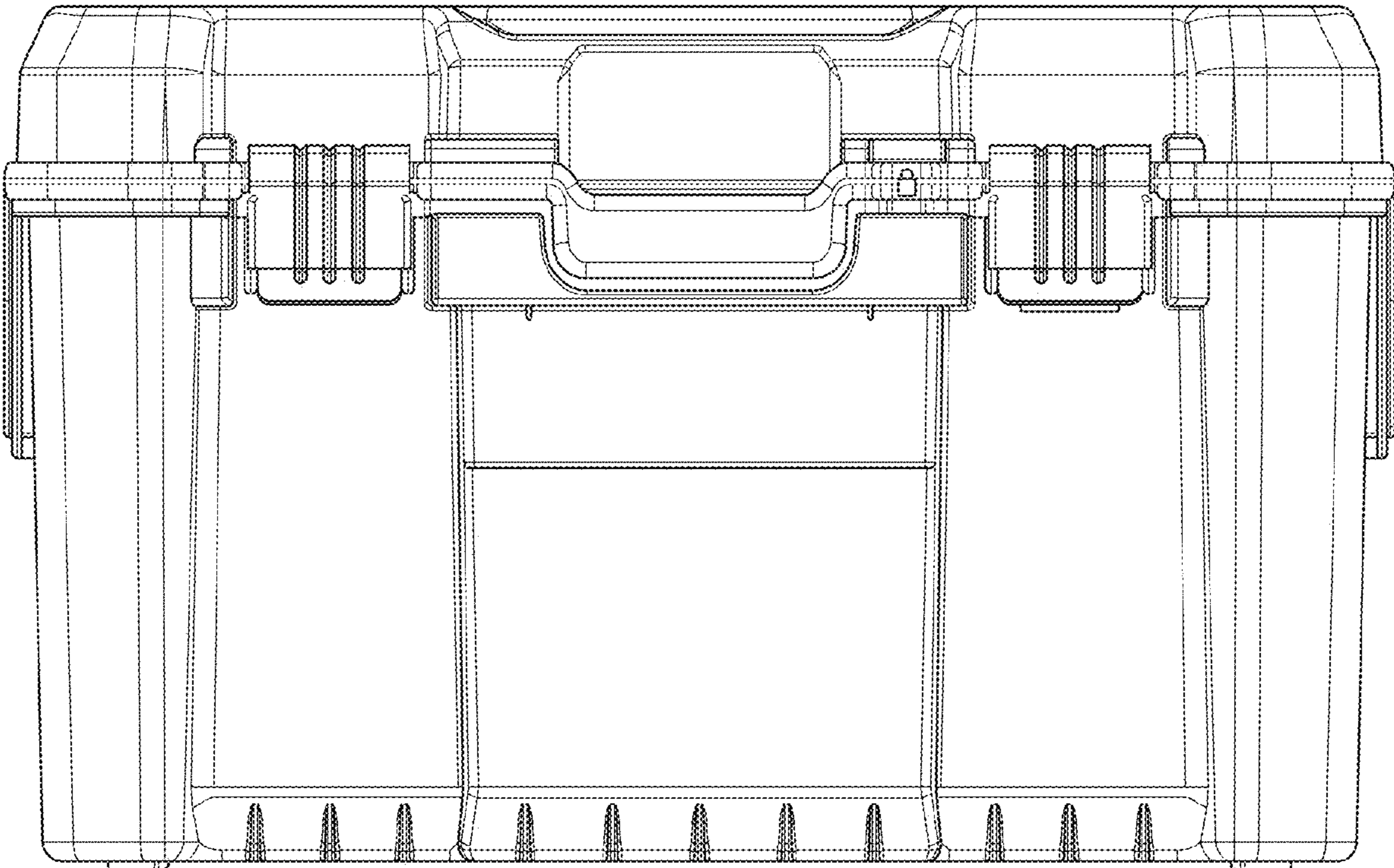


FIG. 6



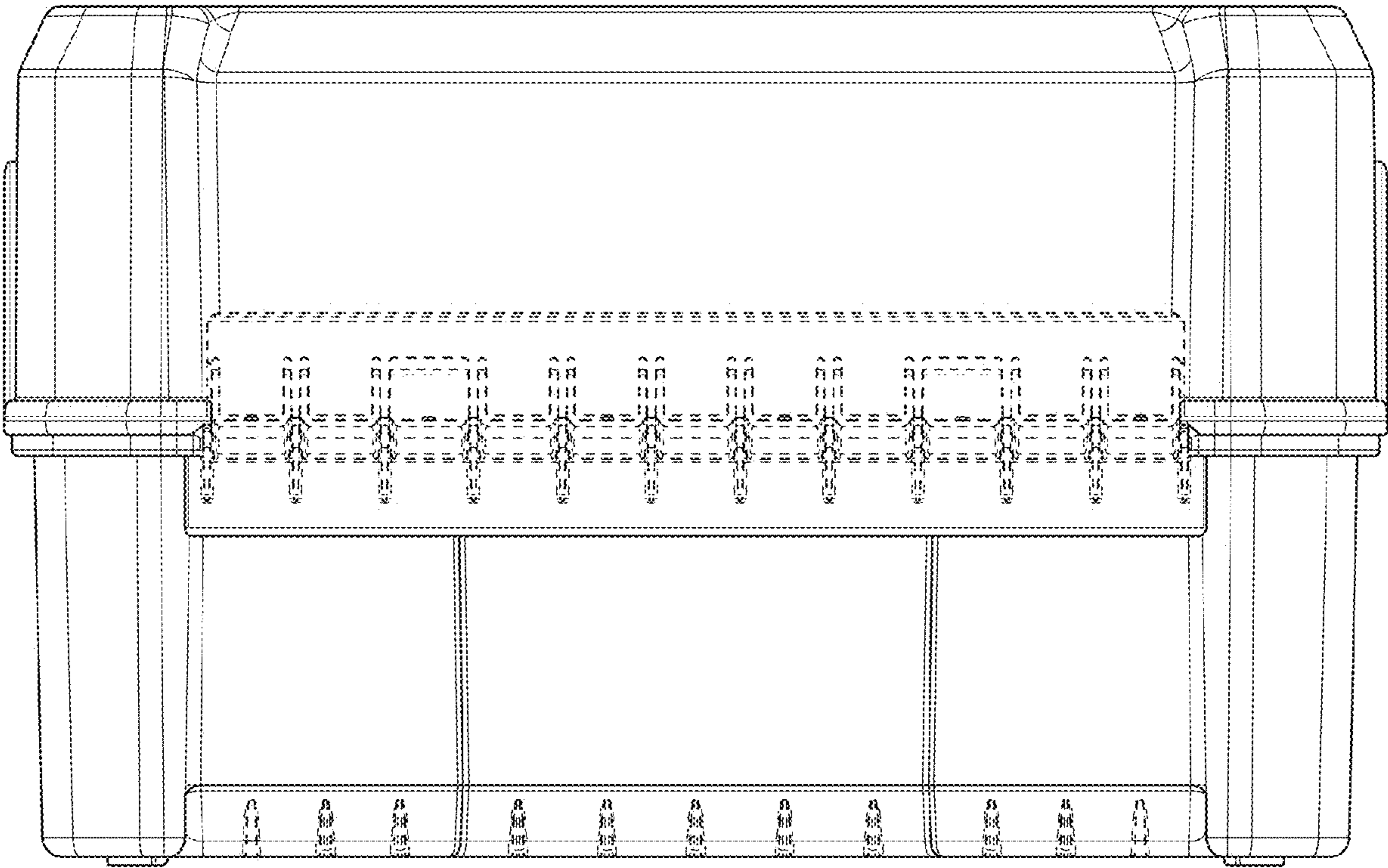


FIG. 7