



US00D968807S

(12) **United States Design Patent** (10) **Patent No.:** **US D968,807 S**
You (45) **Date of Patent:** **** Nov. 8, 2022**

(54) **TOTE BAG**
(71) Applicant: **CJ BRANDING INC.**, West Hollywood, CA (US)
(72) Inventor: **Shunling You**, Zhangzhou (TW)
(**) Term: **15 Years**
(21) Appl. No.: **29/794,256**
(22) Filed: **Jun. 11, 2021**
(51) **LOC (13) Cl.** **03-01**
(52) **U.S. Cl.**
USPC **D3/246**
(58) **Field of Classification Search**
USPC D3/232-233, 243-246, 276, 289-291,
D3/300-301, 304, 307, 318, 322-324,
D3/900
CPC .. A45C 13/26; A45C 3/00; A45C 3/06; A45C
3/04
See application file for complete search history.

D701,041 S 3/2014 Burnett
D759,373 S * 6/2016 Spaziani D3/246
D759,963 S 6/2016 Romano
D804,814 S * 12/2017 Heyman D3/246
D811,734 S 3/2018 Jakubowski
D827,297 S 9/2018 Kandel
D916,457 S * 4/2021 Schmidt D3/246

* cited by examiner

Primary Examiner — Jennifer L Watkins
Assistant Examiner — Samantha Lynne Brodowski
(74) *Attorney, Agent, or Firm* — Rumit Ranjit Kanakia

(56) **References Cited**
U.S. PATENT DOCUMENTS

D283,081 S * 3/1986 Hansen D3/246
4,907,633 A * 3/1990 Eckstein A45C 3/08
190/110
5,146,966 A * 9/1992 Romano A45C 13/28
383/29
D404,203 S * 1/1999 Maier-Aichen D3/246
D426,060 S * 6/2000 Chapelier D3/246
D491,466 S * 6/2004 Man D9/434
D519,737 S * 5/2006 Gonzalez D3/318
D598,196 S * 8/2009 Vreeland A45C 3/08
D3/304
D604,042 S 11/2009 Aaron et al.
D636,602 S * 4/2011 Reisenethel D3/307

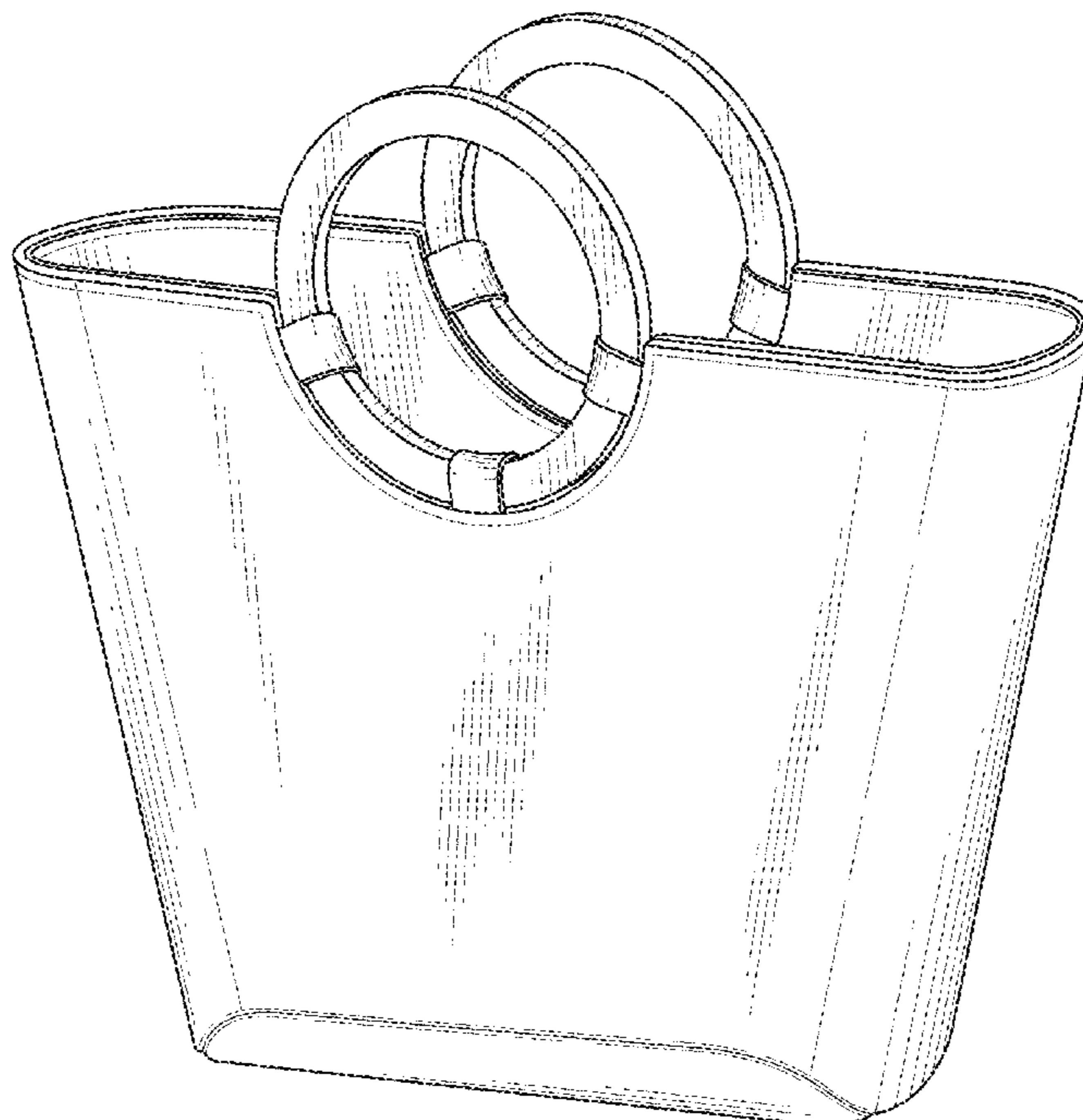
(57) **CLAIM**

The ornamental design for a tote bag, as shown and described.

DESCRIPTION

FIG. 1 is a perspective view of a tote bag showing my new design;
FIG. 2 is a front view thereof;
FIG. 3 is a back view thereof;
FIG. 4 is a right-side view thereof;
FIG. 5 is a left-side view thereof;
FIG. 6 is a top view thereof;
FIG. 7 is a bottom view thereof; and,
FIG. 8 is another perspective view thereof, with the tote bag shown in use.
The broken lines shown on claimed surfaces depict stitching and form no part of the claimed design. The evenly dashed broken lines in FIG. 8 showing items without any surface shading depict environment and form no part of the claim.

1 Claim, 8 Drawing Sheets



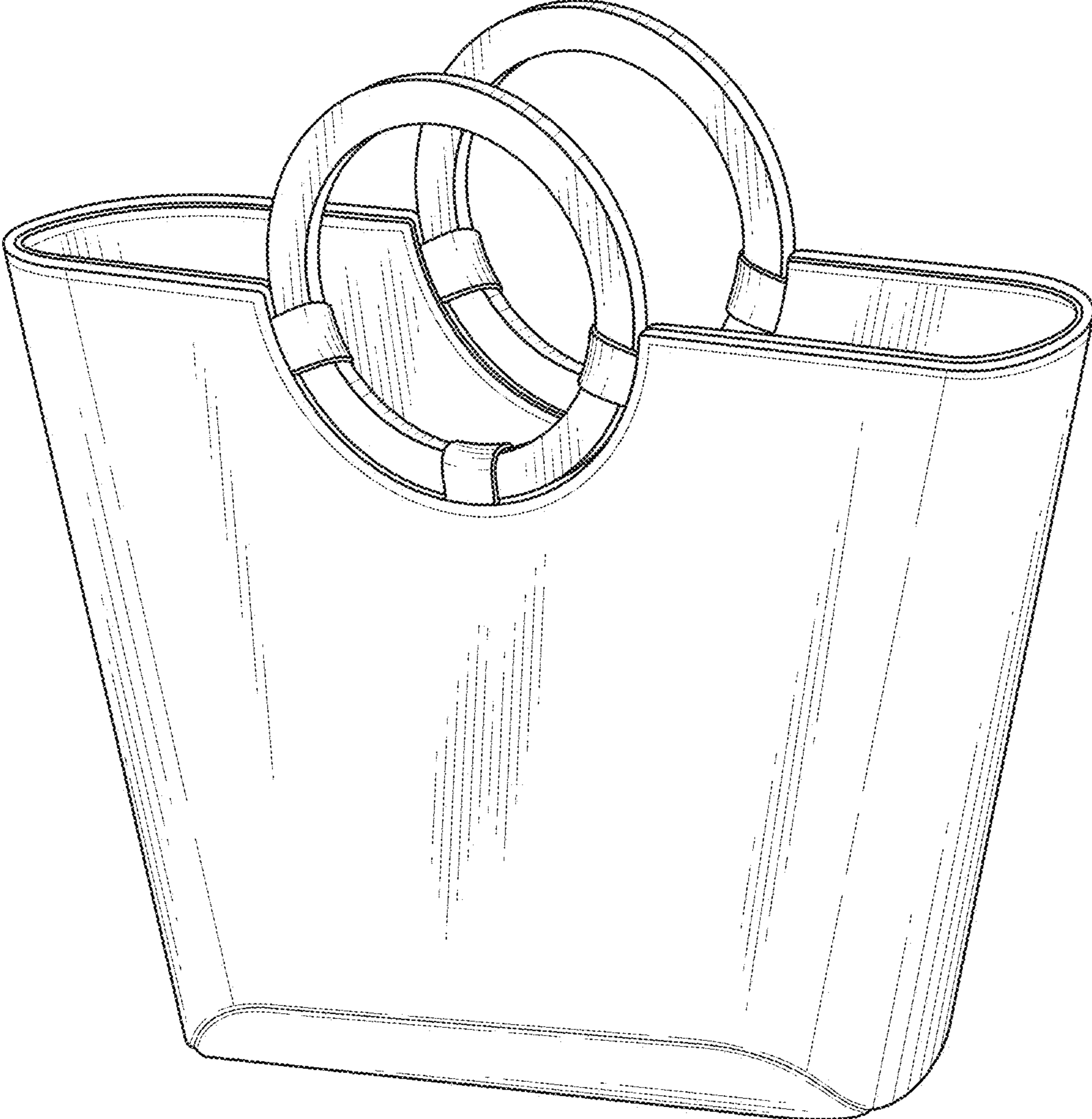


FIG. 1

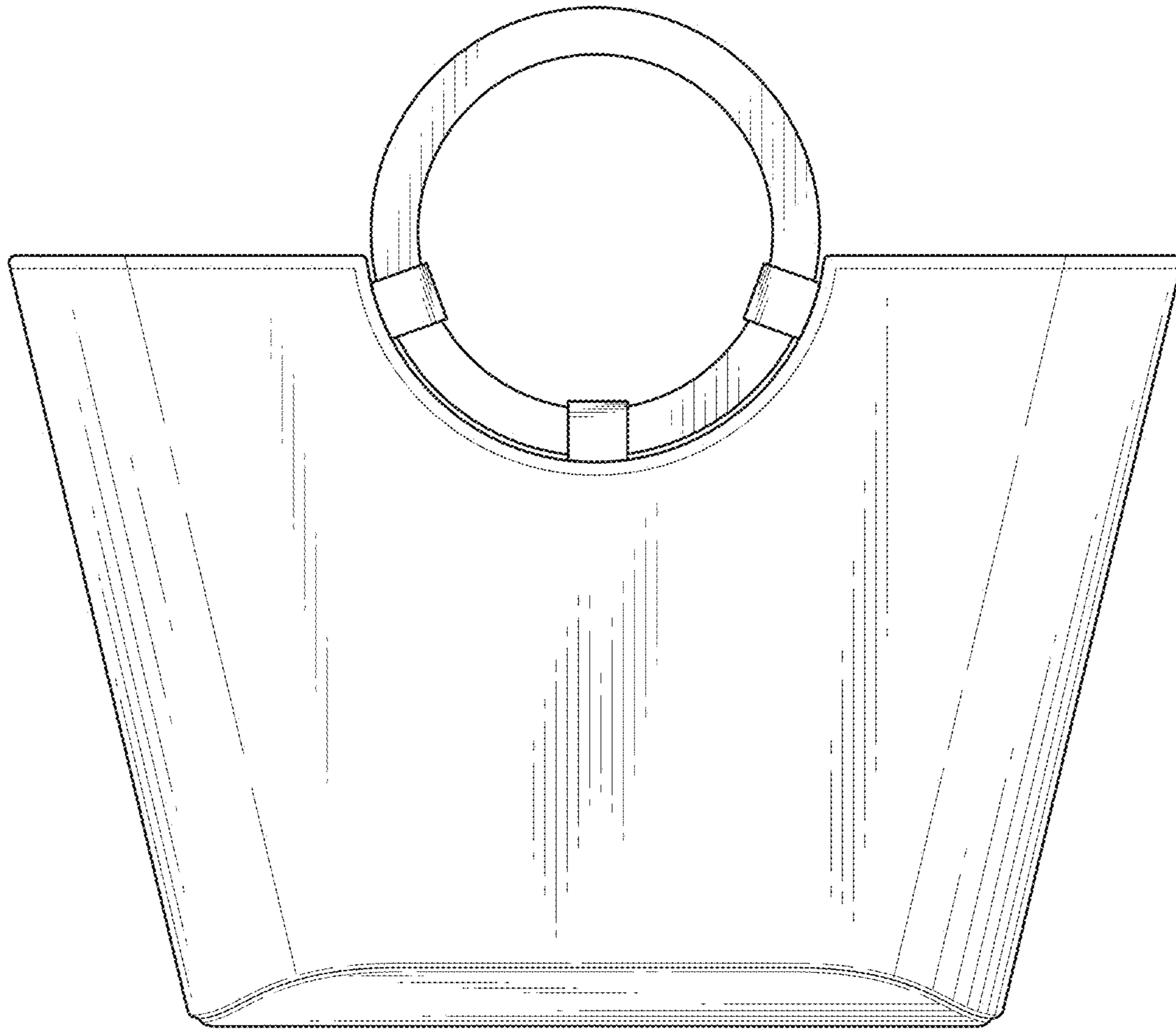


FIG. 2

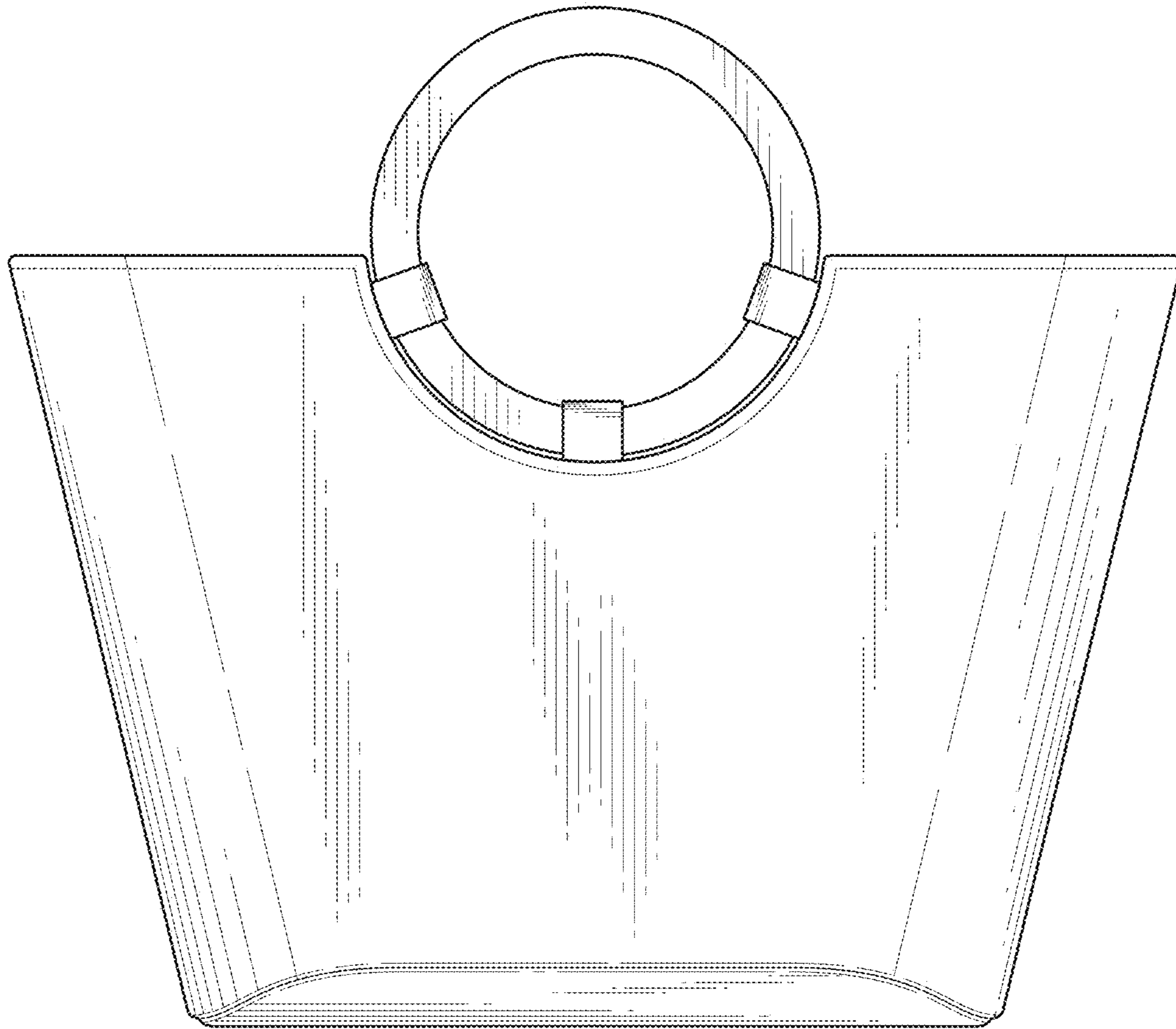


FIG. 3

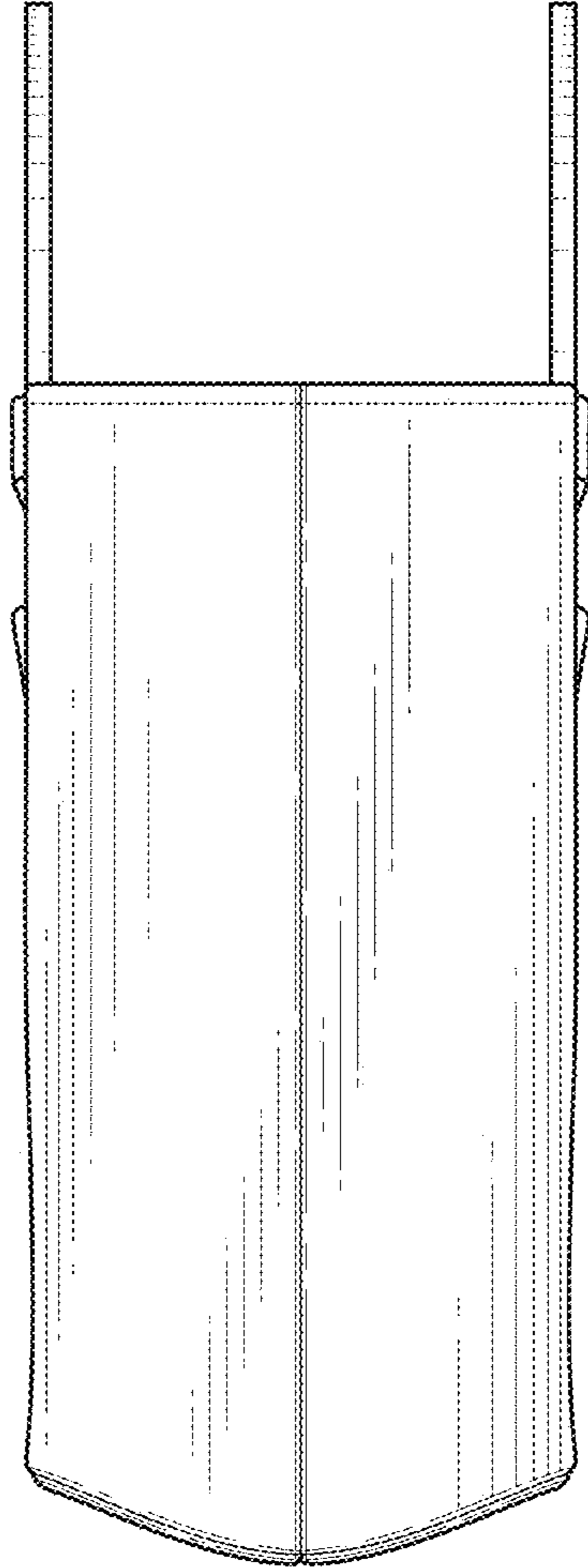


FIG. 4

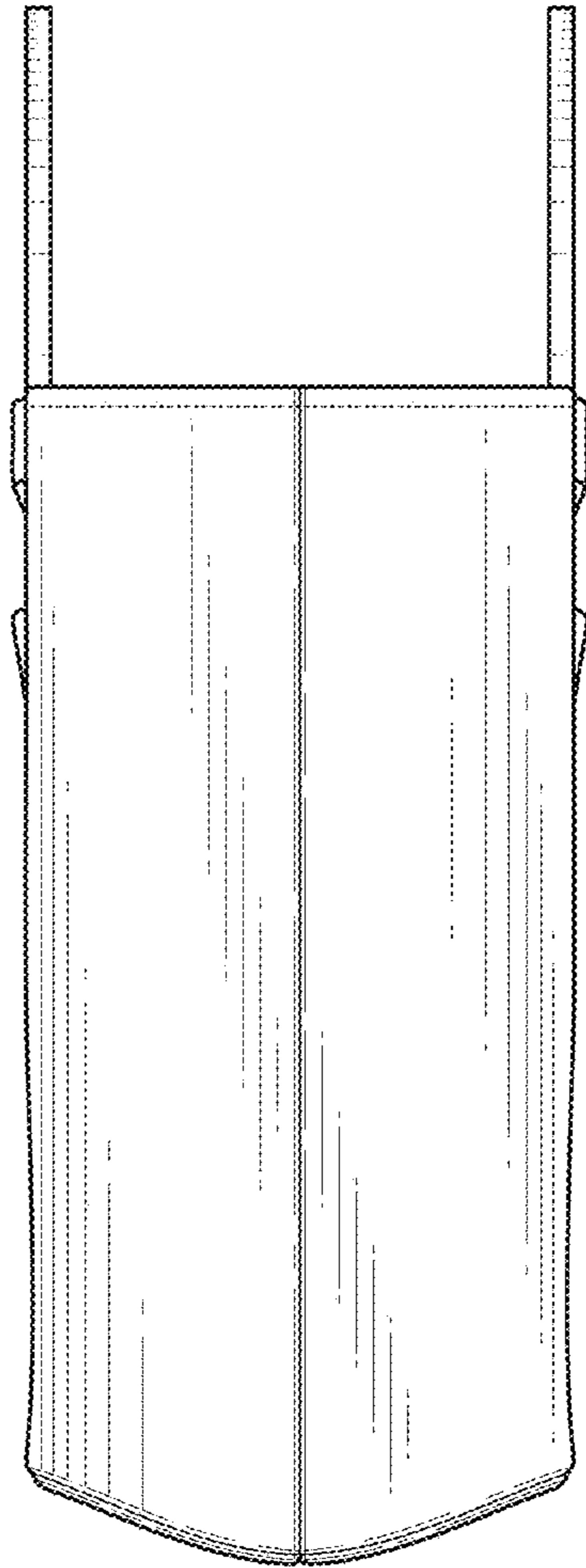


FIG. 5

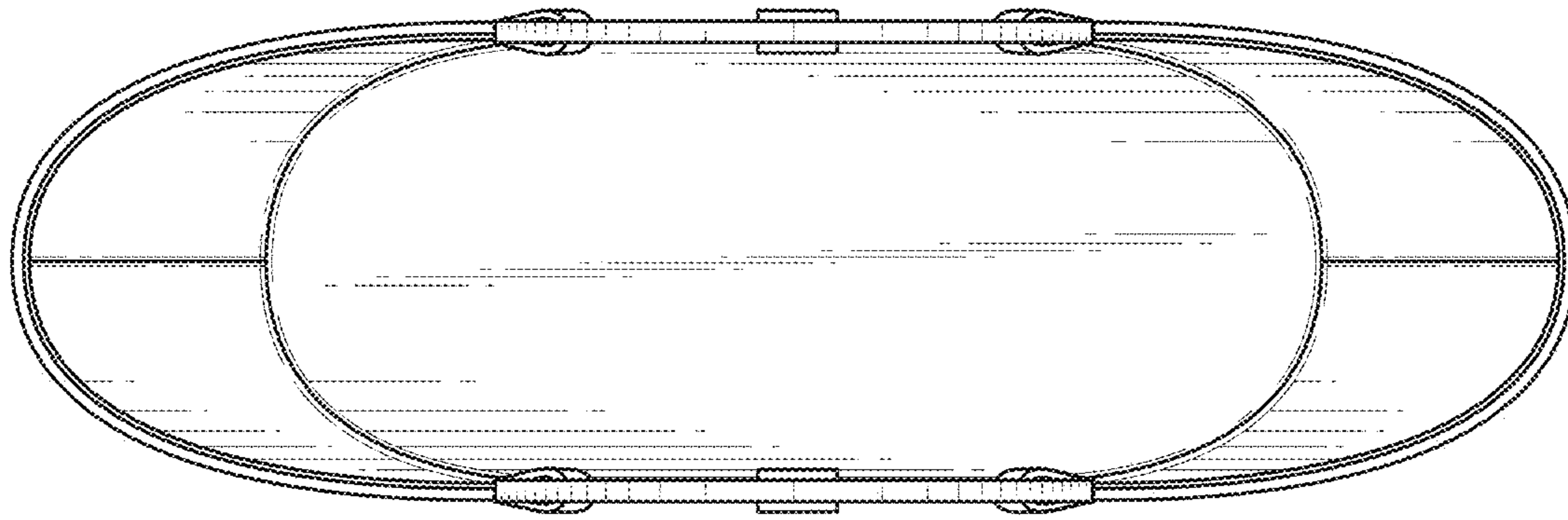


FIG. 6

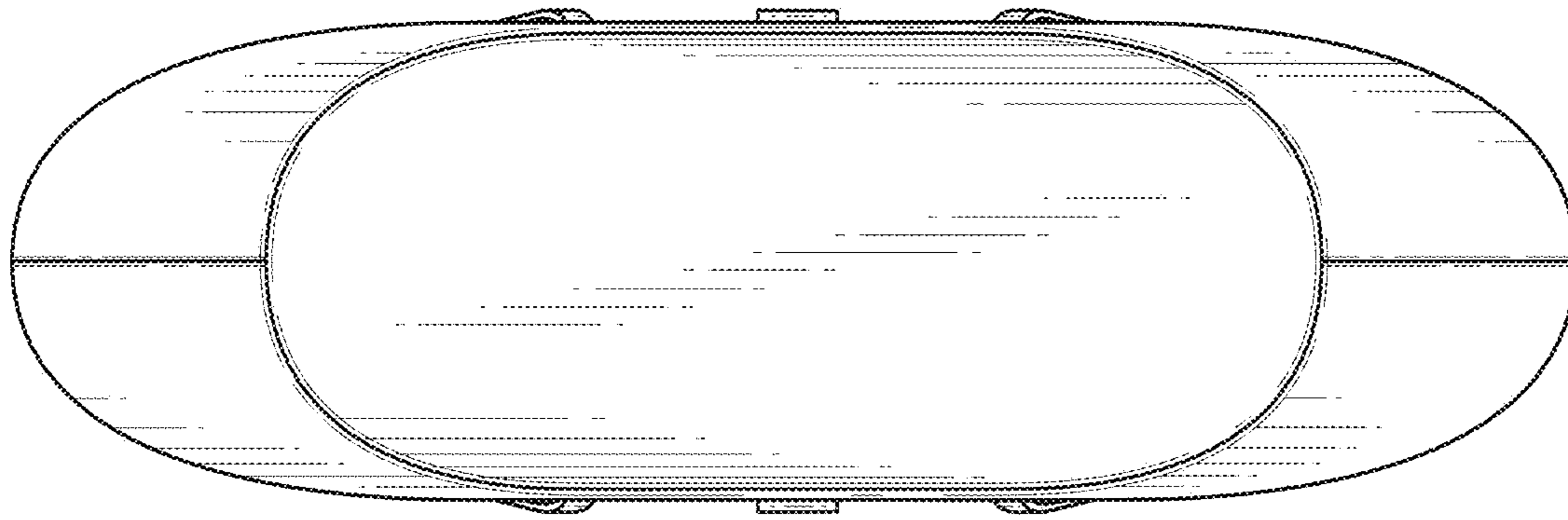


FIG. 7

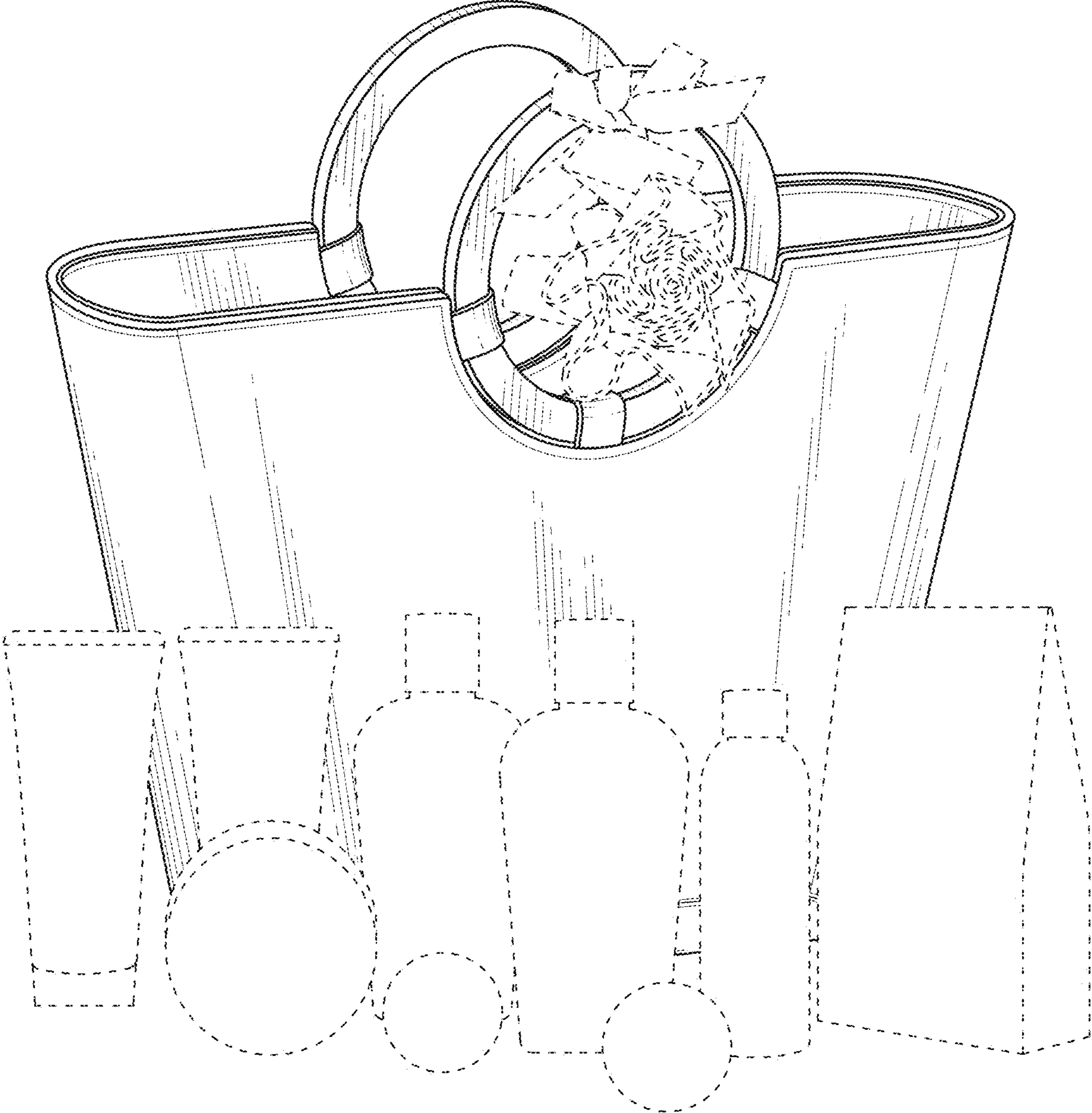


FIG. 8