



US00D968806S

(12) **United States Design Patent** (10) **Patent No.:** **US D968,806 S**  
**Roberts et al.** (45) **Date of Patent:** **\*\* Nov. 8, 2022**

(54) **SLING**  
(71) Applicant: **Peak Design**, San Francisco, CA (US)  
(72) Inventors: **Rachel Roberts**, San Francisco, CA (US); **Art Viger**, San Francisco, CA (US); **Peter Lockett**, San Francisco, CA (US)  
(73) Assignee: **Peak Design**, San Francisco, CA (US)  
(\*\*) Term: **15 Years**  
(21) Appl. No.: **29/714,720**  
(22) Filed: **Nov. 25, 2019**  
(51) **LOC (13) Cl.** ..... **03-01**  
(52) **U.S. Cl.**  
USPC ..... **D3/246**  
(58) **Field of Classification Search**  
USPC ..... D3/215–218, 221, 224–226, 230–233,  
D3/242–246, 303, 318  
CPC ..... A45F 3/04; A45F 3/047; A45F 2003/045;  
A45F 4/02  
See application file for complete search history.

D879,466 S \* 3/2020 Dumas ..... D3/246  
D906,668 S \* 1/2021 Abel ..... D3/246  
D907,916 S \* 1/2021 Sawaya ..... D3/240  
2015/0296939 A1 \* 10/2015 Green ..... A45C 3/00  
383/38

**OTHER PUBLICATIONS**

Everyday sling, posted at peakdesign.com, no posting date, retrieved Jun. 12, 2021, online, URL: <https://www.peakdesign.com/products/everyday-sling?variant=29742302068780> (Year: 2021).  
Tineye reverse image search for NPL citation U, first found Nov. 25, 2019, retrieved Jun. 12, 2021, online, URL: [https://tineye.com/search/e29c35d23ae7f3b73ac9bfd987d75fa937915a?sort=crawl\\_date&order=asc&page=1](https://tineye.com/search/e29c35d23ae7f3b73ac9bfd987d75fa937915a?sort=crawl_date&order=asc&page=1) (Year: 2019).\*

\* cited by examiner

*Primary Examiner* — Mary Shannon Malley  
(74) *Attorney, Agent, or Firm* — Run8 Patent Group, LLC; Peter Miller

(57) **CLAIM**

We claim the ornamental design for a sling, as shown and described.

**DESCRIPTION**

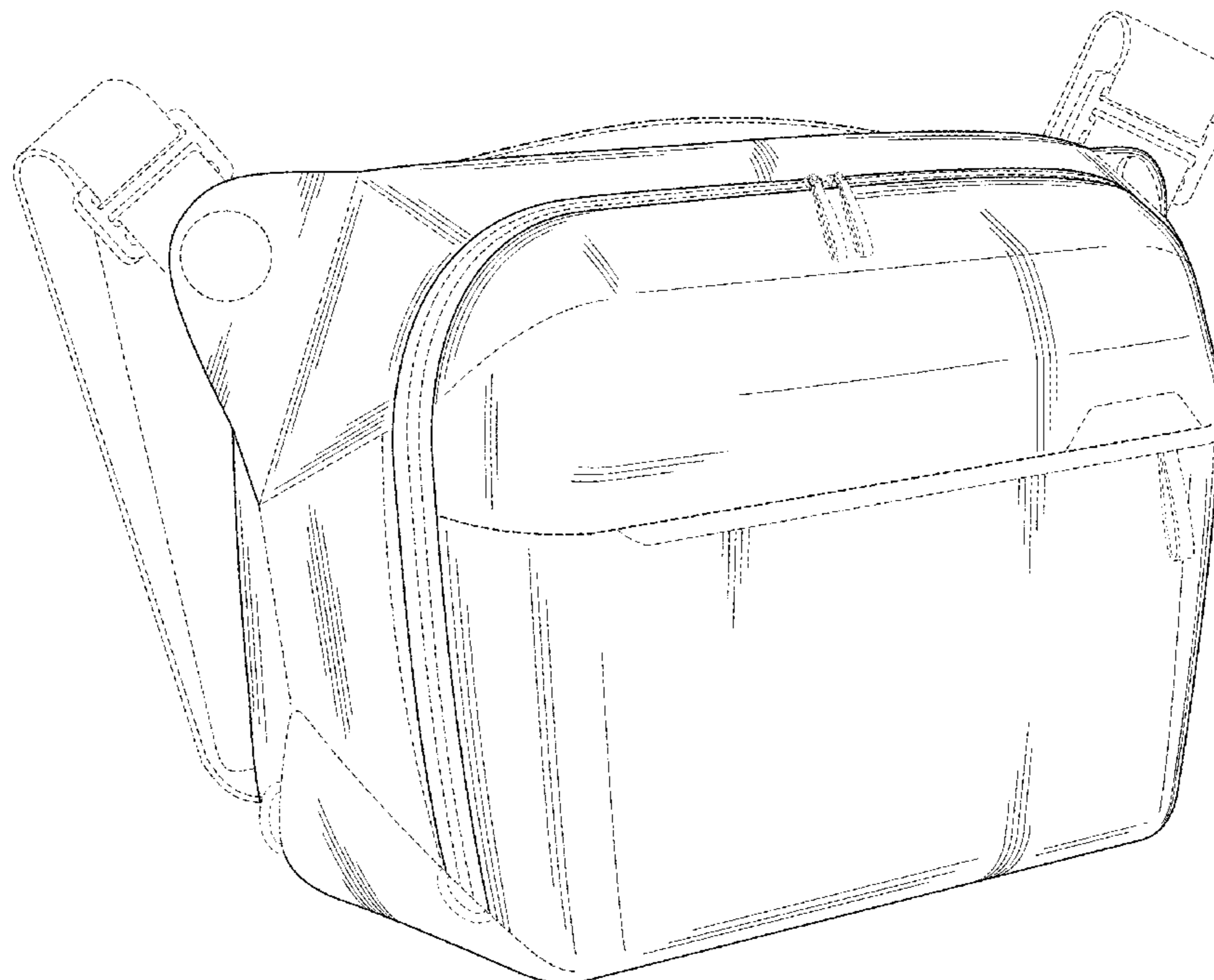
FIG. 1 is a front right upper isometric view of a sling.  
FIG. 2 is a front view of the sling.  
FIG. 3 is a right view of the sling.  
FIG. 4 is a left view of the sling.  
FIG. 5 is a back view of the sling; and,  
FIG. 6 is a top view of the sling.  
The broken lines illustrate portions of the sling that form no part of the claimed design.

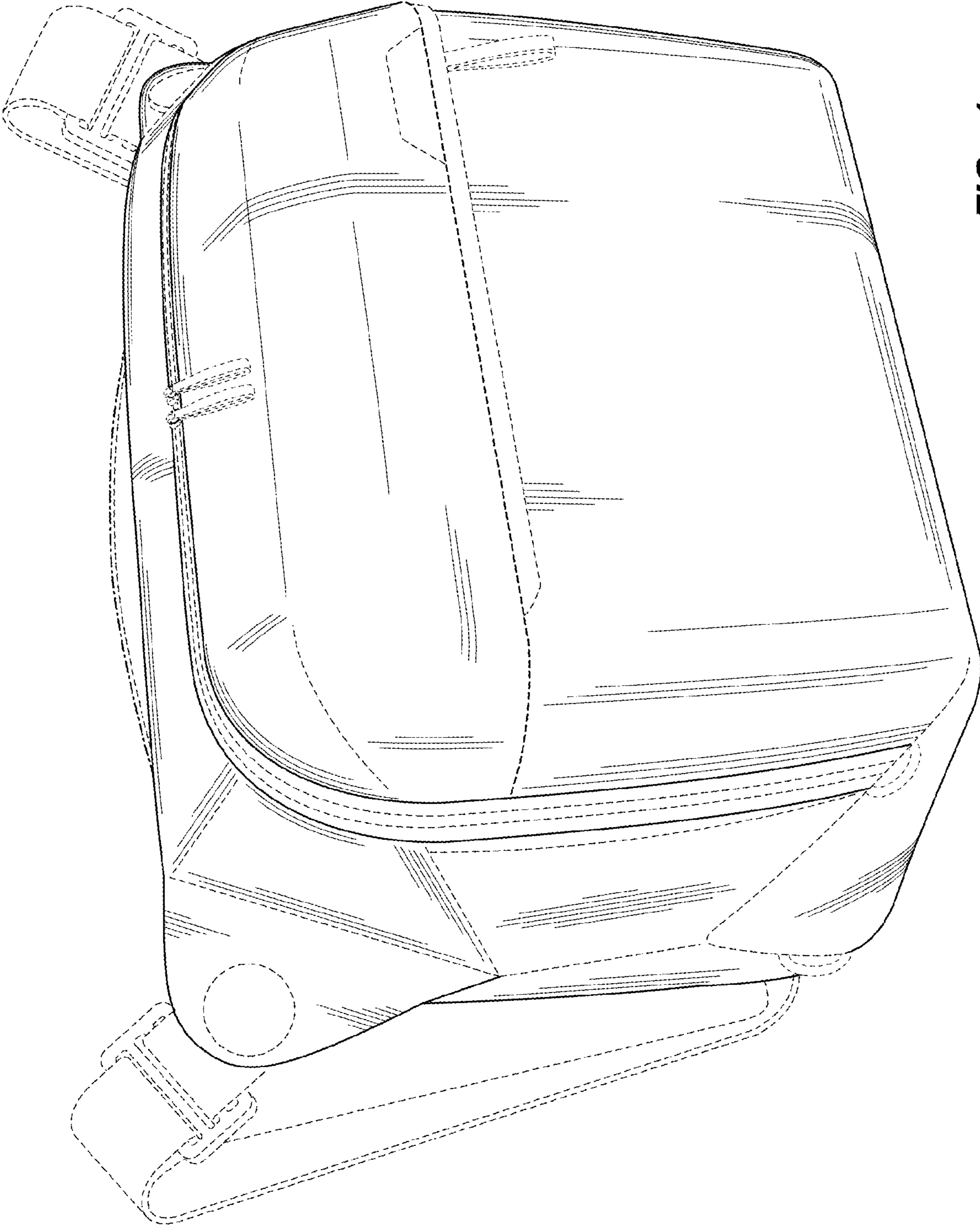
**1 Claim, 5 Drawing Sheets**

(56) **References Cited**

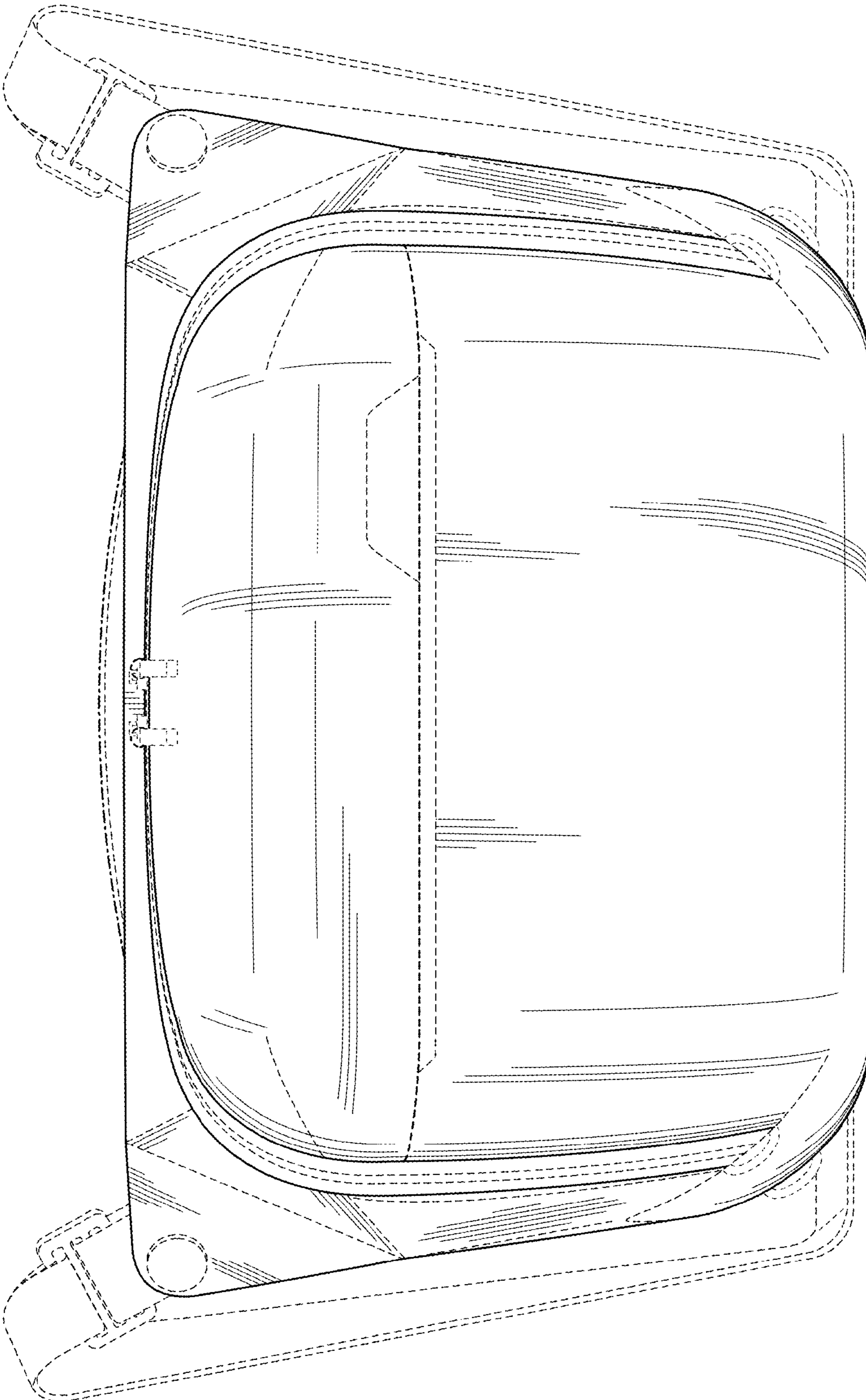
**U.S. PATENT DOCUMENTS**

D609,003 S \* 2/2010 Hay ..... D3/232  
D665,574 S \* 8/2012 Lo ..... D3/232  
D725,903 S \* 4/2015 Kuster ..... D3/245  
D742,634 S \* 11/2015 Zwetzig ..... D3/232  
D782,188 S \* 3/2017 Tappeiner ..... D3/245  
D783,277 S \* 4/2017 Spaziani ..... D3/245  
D808,162 S \* 1/2018 Viger ..... D3/267  
D822,986 S \* 7/2018 Viger ..... D3/246  
D833,736 S \* 11/2018 Voll ..... D3/217

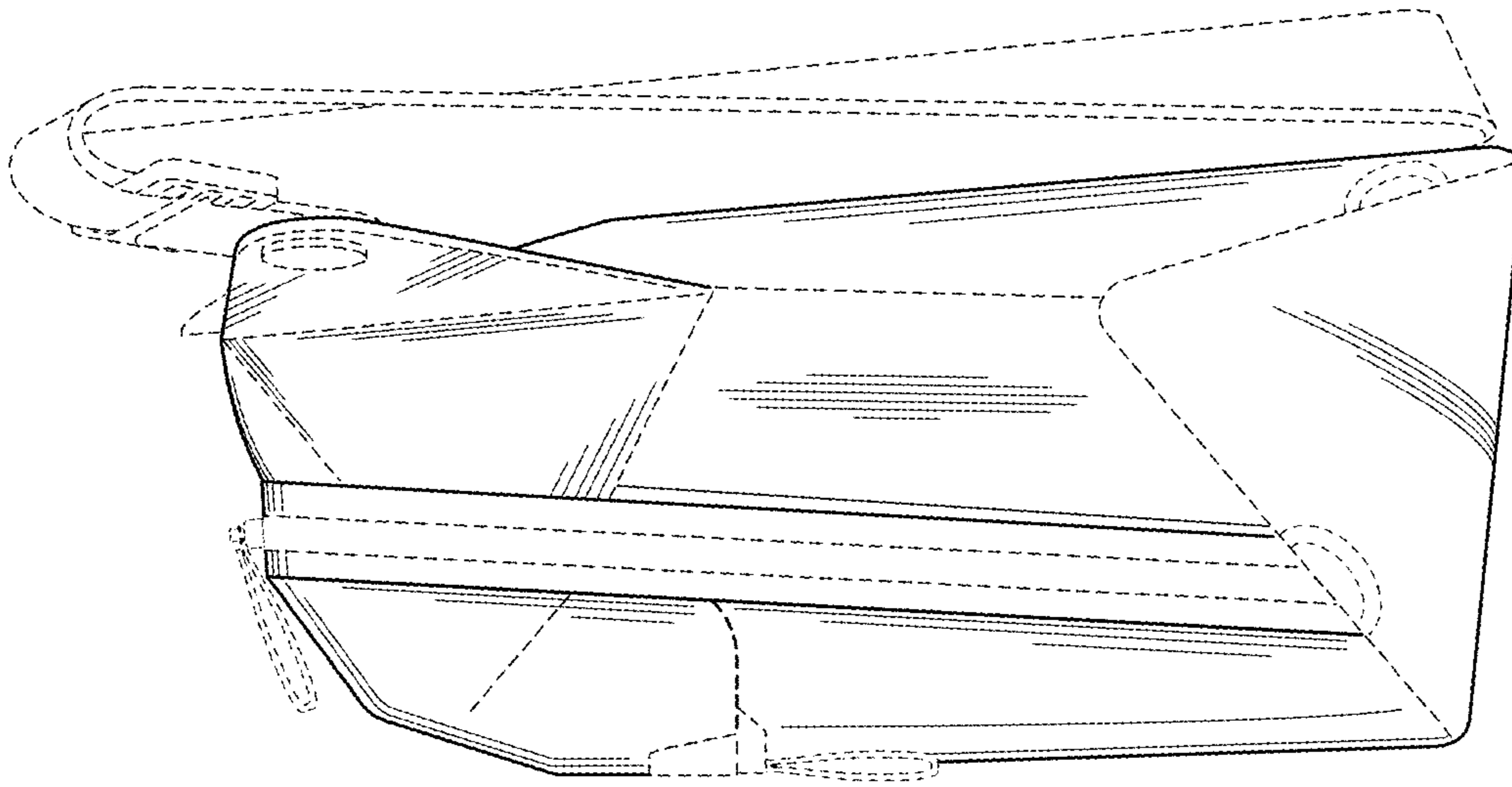




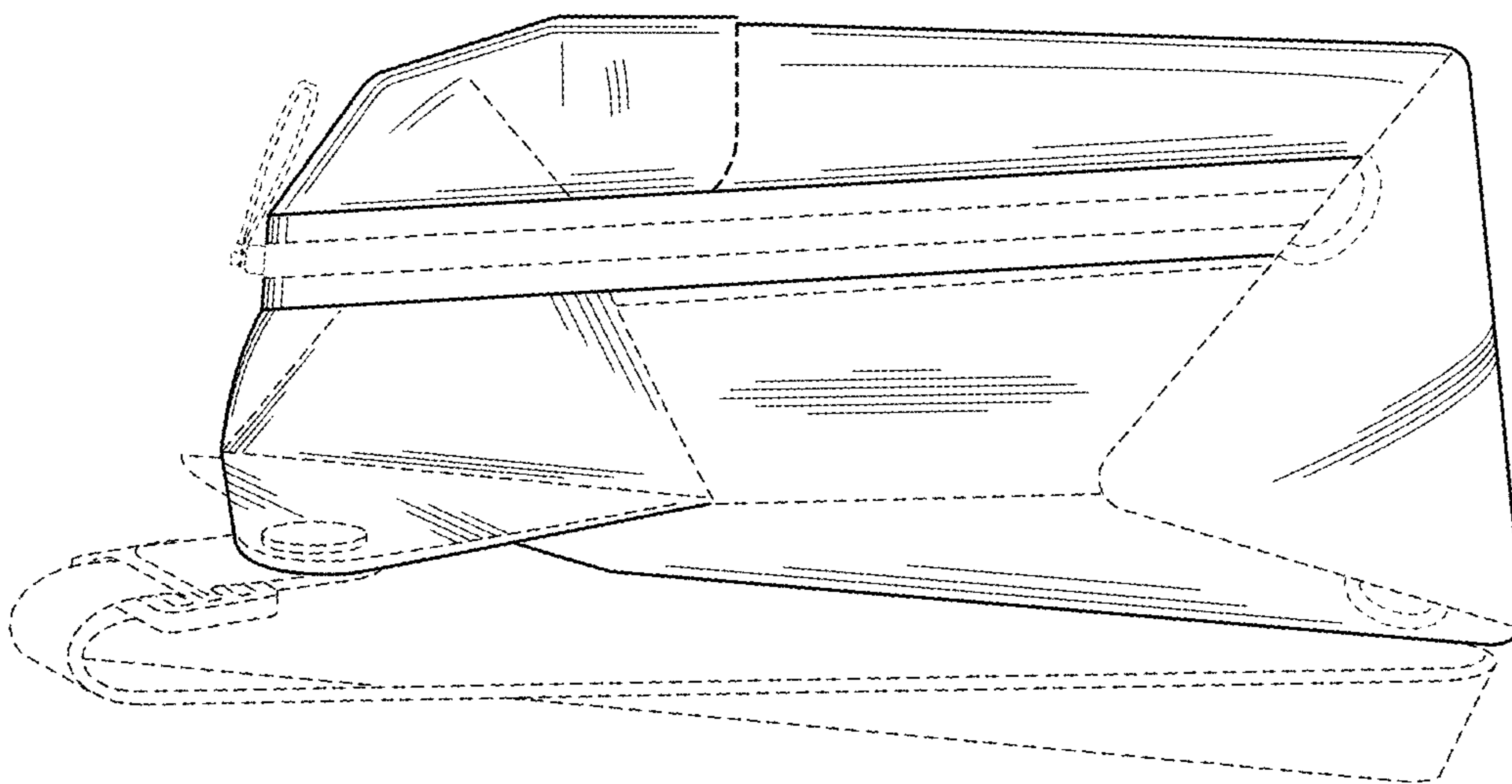
**FIG. 1**



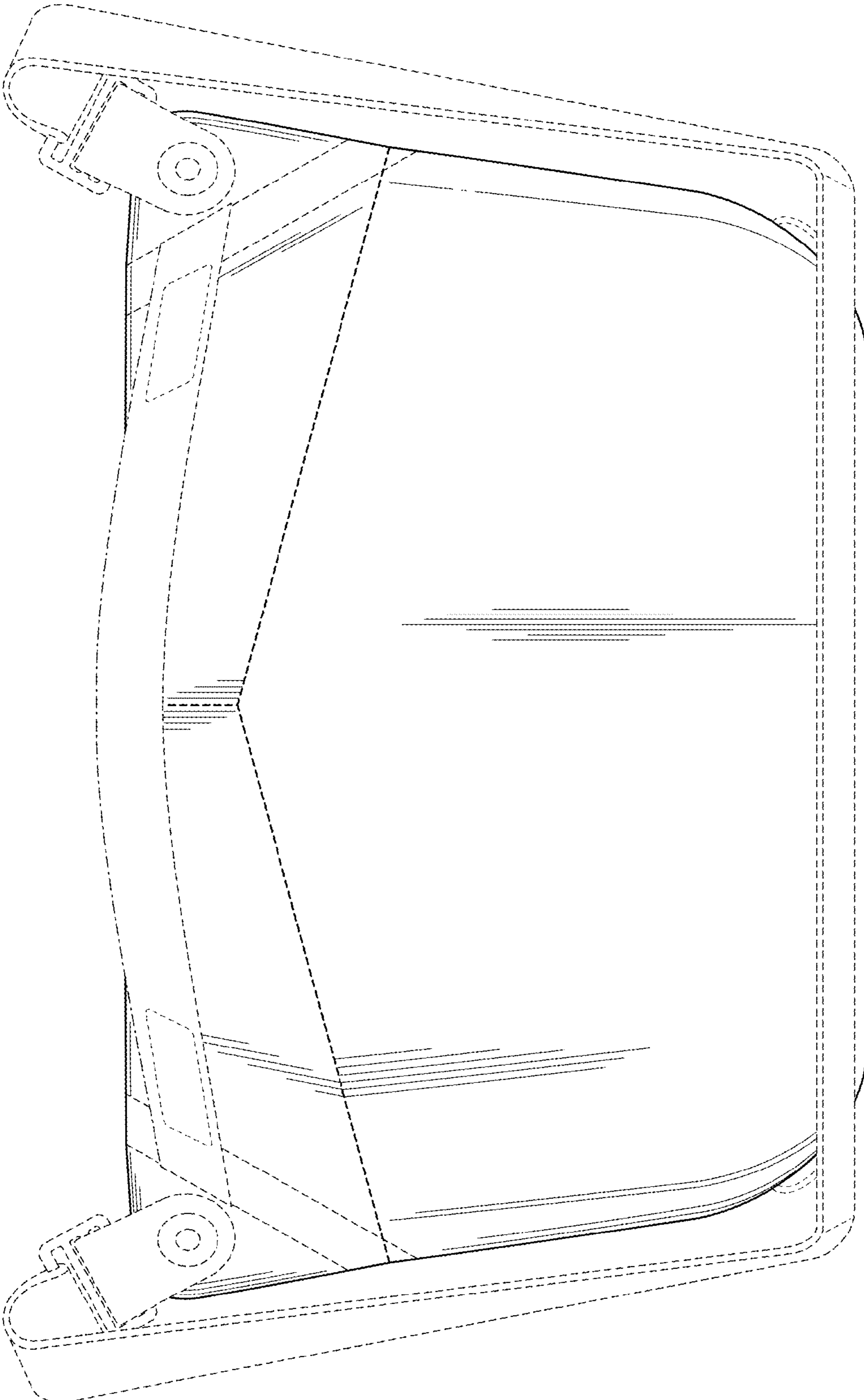
**FIG. 2**



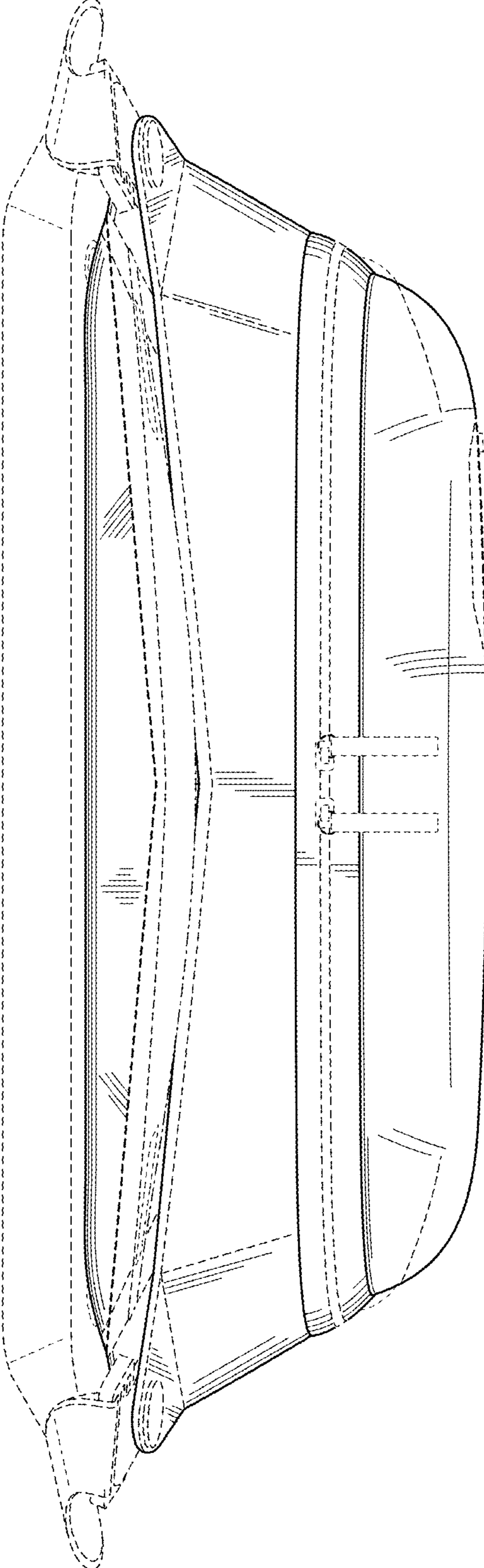
**FIG. 4**



**FIG. 3**



**FIG. 5**



**FIG. 6**