



US00D968804S

(12) **United States Design Patent** (10) **Patent No.:** **US D968,804 S**
Hu (45) **Date of Patent:** **** Nov. 8, 2022**

- (54) **PHONE CASE WITH CARD HOLDER IN COMBINATION**
- (71) Applicant: **Foshan Nanhai Hengpinshijia Leather Co., Ltd.**, Foshan (CN)
- (72) Inventor: **Hanhong Hu**, Guangdong (CN)
- (73) Assignee: **Foshan Nanhai Hengpinshijia Leather Co., Ltd.**, Foshan (CN)

D856,671 S *	8/2019	Li	D3/249
D866,179 S *	11/2019	Zhao	D3/249
D869,843 S *	12/2019	Zhou	D3/249
D884,341 S *	5/2020	Zhou	D3/249
D892,107 S *	8/2020	Zhao	D14/250
D908,353 S *	1/2021	Peng	D3/249
D956,033 S *	6/2022	Hu	D14/250
2015/0230570 A1 *	8/2015	Kim	H04M 1/185 150/139
2016/0206062 A1 *	7/2016	Marvin	A45C 11/182

- (**) Term: **15 Years**
- (21) Appl. No.: **29/839,902**
- (22) Filed: **May 24, 2022**
- (51) **LOC (13) Cl.** **03-01**
- (52) **U.S. Cl.**
USPC **D3/218; D3/247; D3/249; D3/250; D14/250**
- (58) **Field of Classification Search**
USPC **D3/201, 207-208, 215-218, 230, D3/247-250, 318**
CPC **A45C 1/04; A45C 1/06; A45C 11/182; A45C 2001/062; A45C 2001/065; A45C 2001/067; A45C 2001/186; A45F 5/02; H04M 1/72409; G06F 1/1626; F28F 21/00**
See application file for complete search history.

FOREIGN PATENT DOCUMENTS

GB	6147346	*	7/2021
KR	301063348.0000	*	6/2020
KR	301132574.0000	*	10/2021
KR	301147329.0000	*	1/2022

* cited by examiner

Primary Examiner — Mary Shannon Malley
Assistant Examiner — Christopher John Suarez La Rosa

(57) **CLAIM**

The ornamental design for a phone case with card holder in combination, as shown and described.

DESCRIPTION

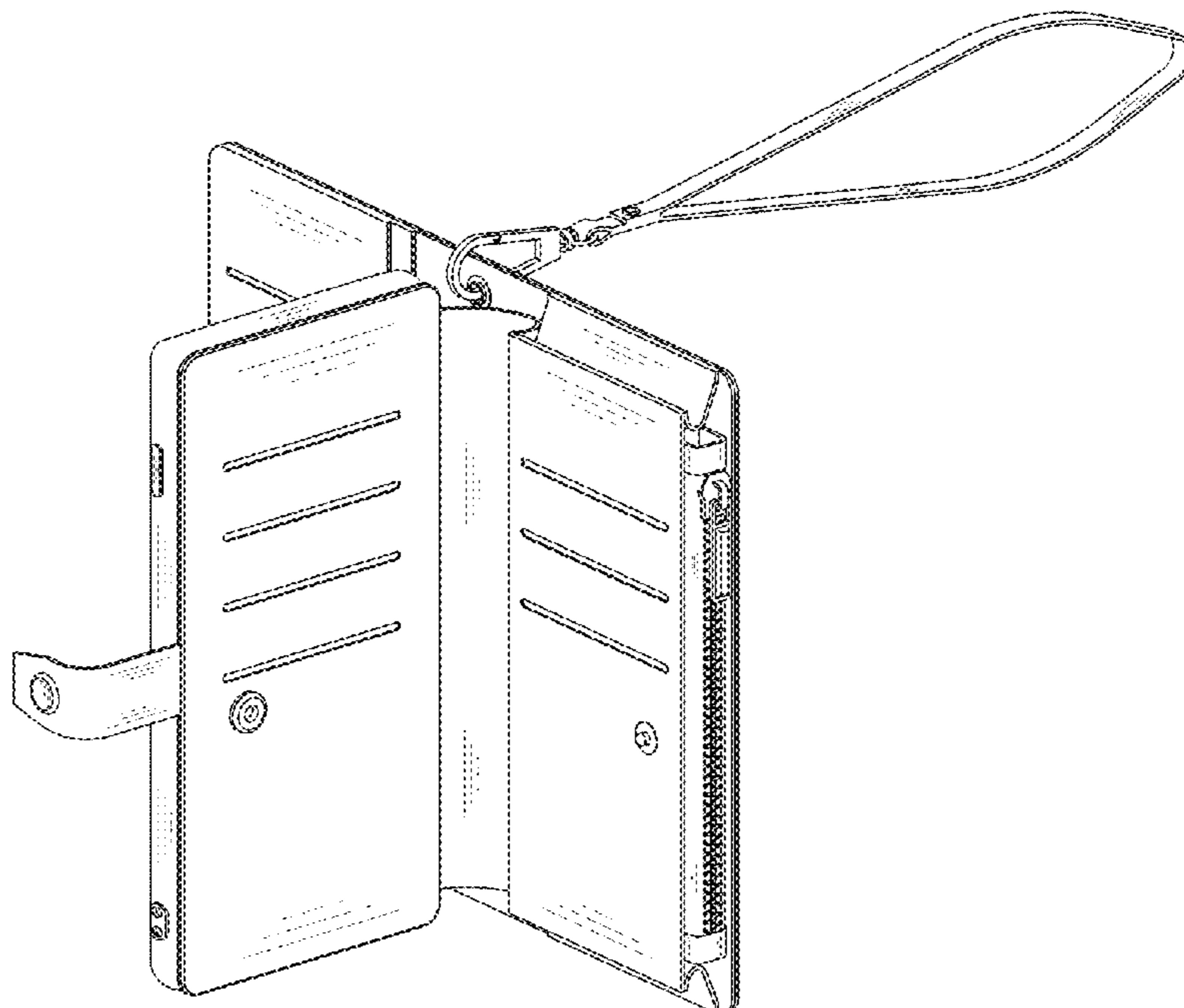
FIG. 1 is a right-side perspective view of a phone case with card holder in combination, showing my new design; FIG. 2 is a left-side perspective view showing the phone case detached from the card holder; FIG. 3 is a front view of the configuration shown in FIG. 1; FIG. 4 is a back view thereof; FIG. 5 is a left view thereof; FIG. 6 is a right view thereof; FIG. 7 is a top view thereof; and, FIG. 8 is a bottom view thereof.

1 Claim, 8 Drawing Sheets

(56) **References Cited**

U.S. PATENT DOCUMENTS

D653,656 S	2/2012	Charnas	
D694,744 S *	12/2013	Kim	D14/250
D793,082 S *	8/2017	Zhang	D3/249
9,866,255 B1 *	1/2018	Ketter-Muldrow	A45C 11/00
D844,596 S *	4/2019	Liu	D14/250



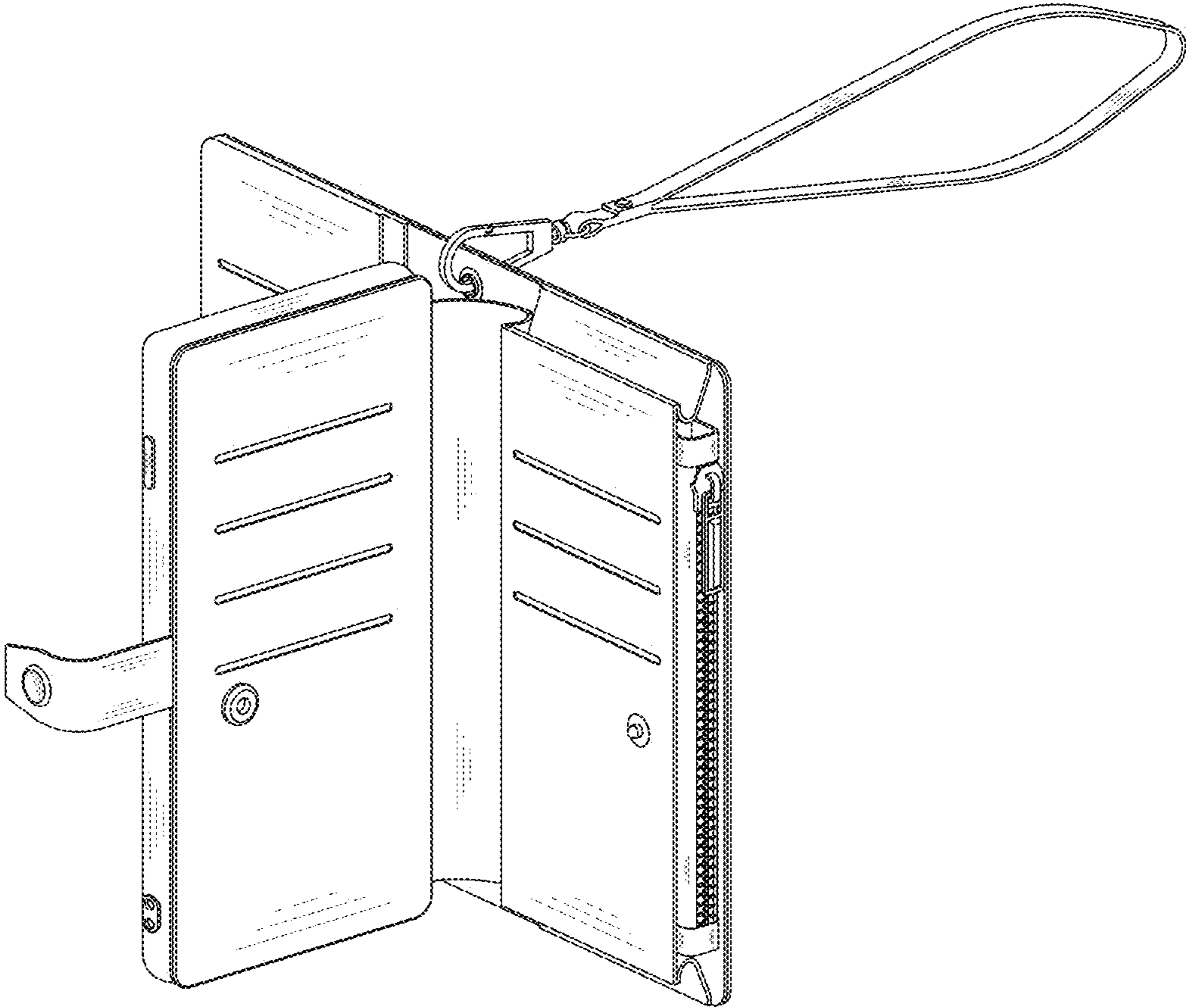


FIG. 1

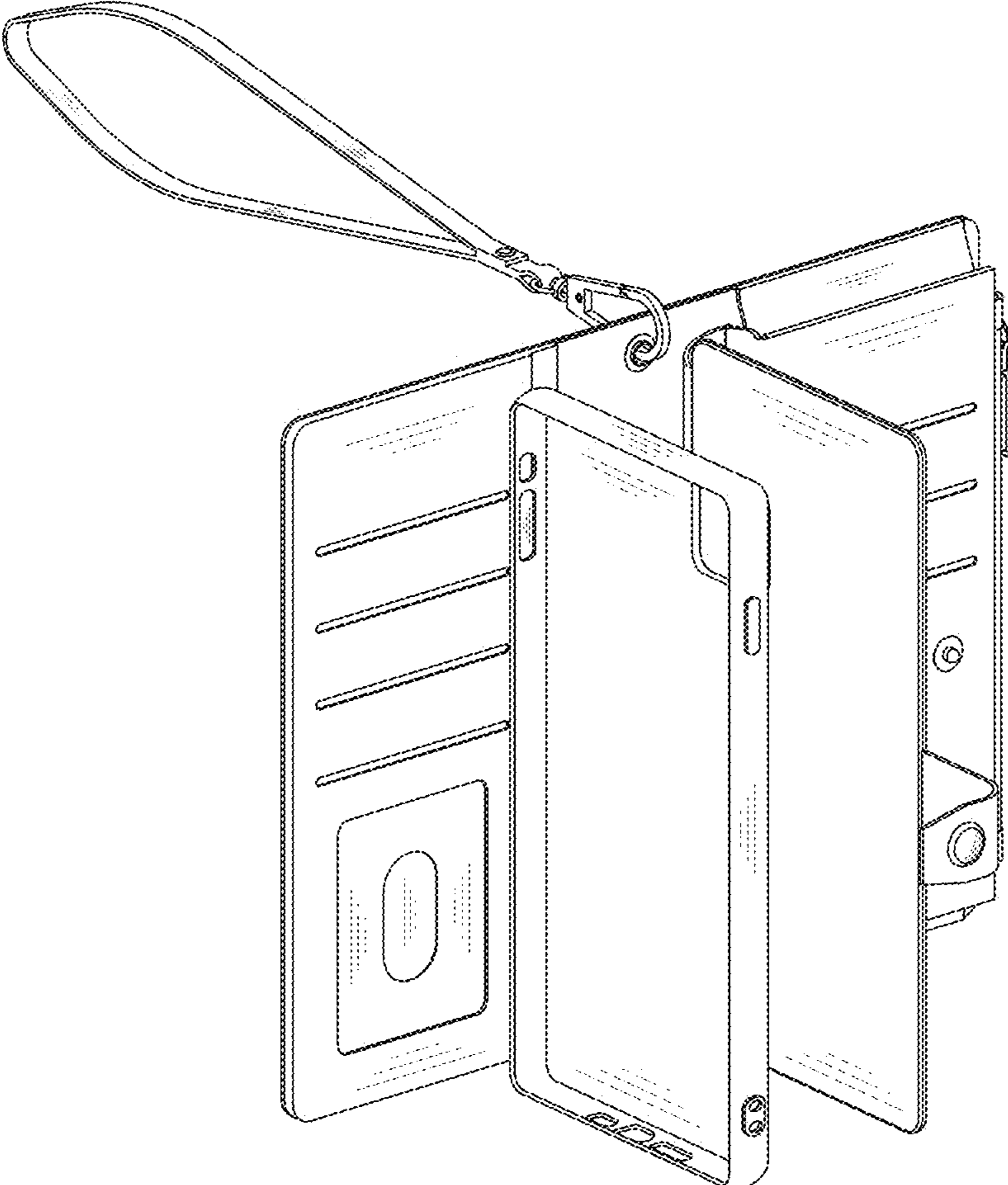


FIG. 2

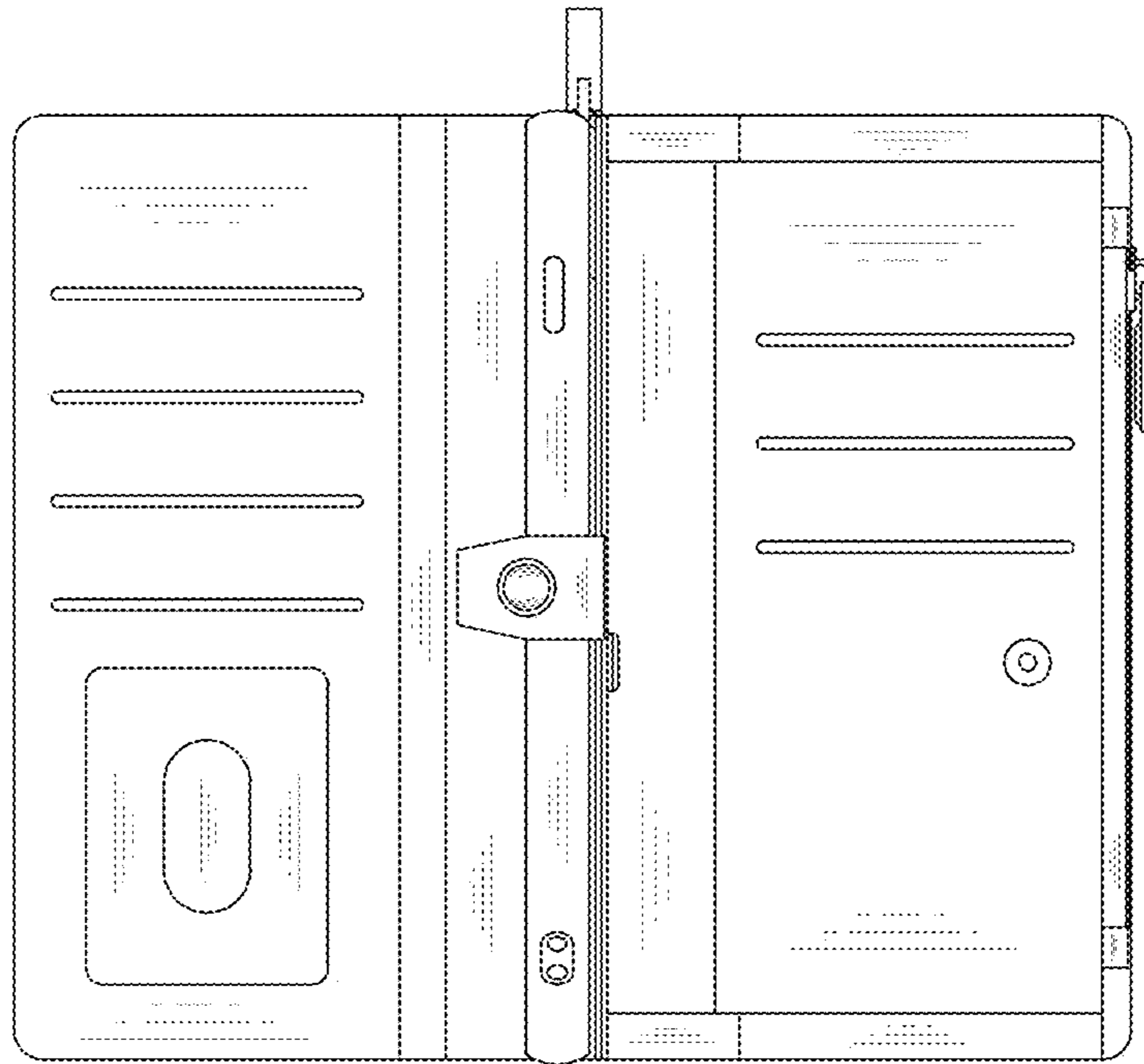


FIG. 3

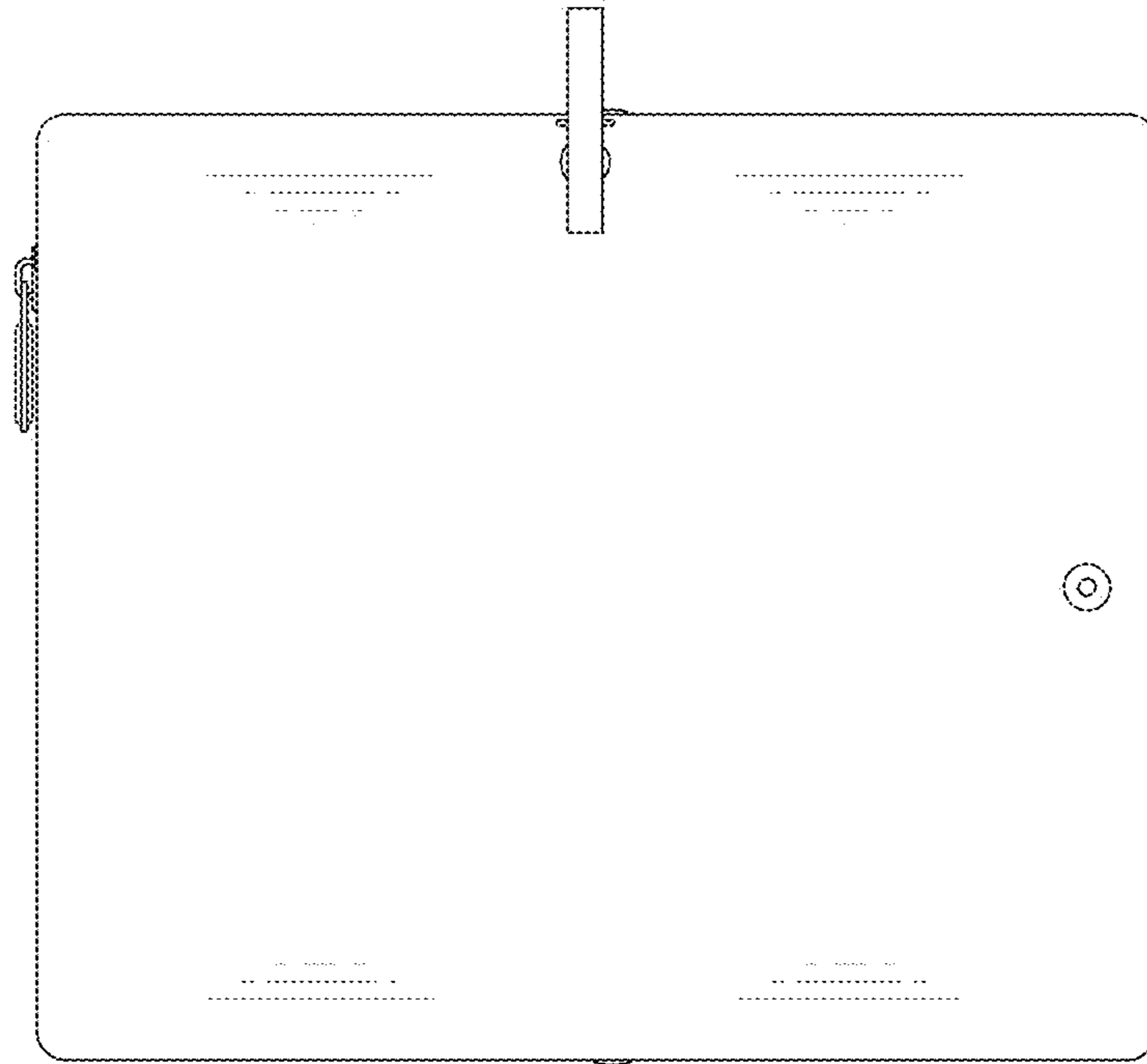


FIG. 4

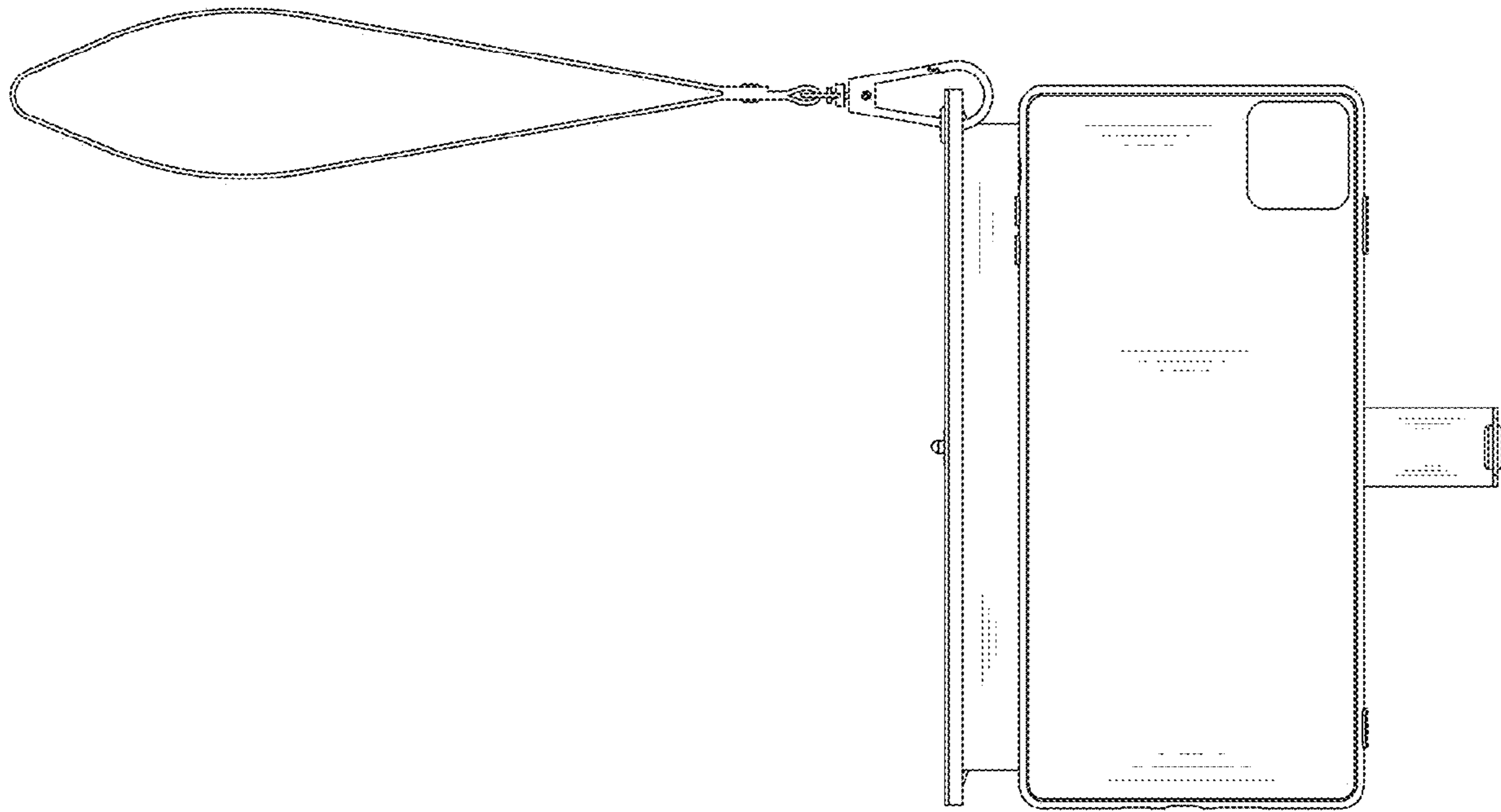


FIG. 5

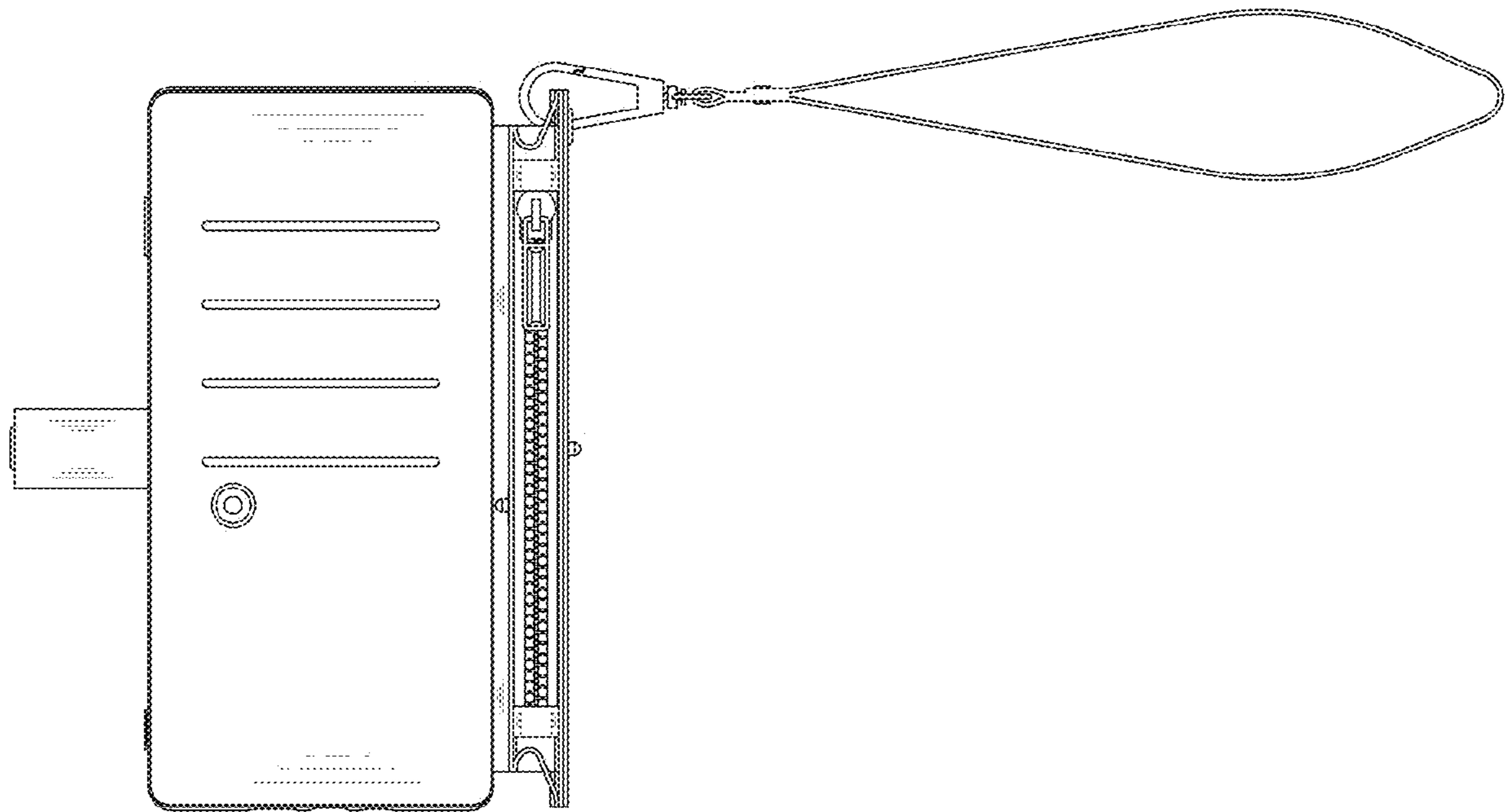


FIG. 6

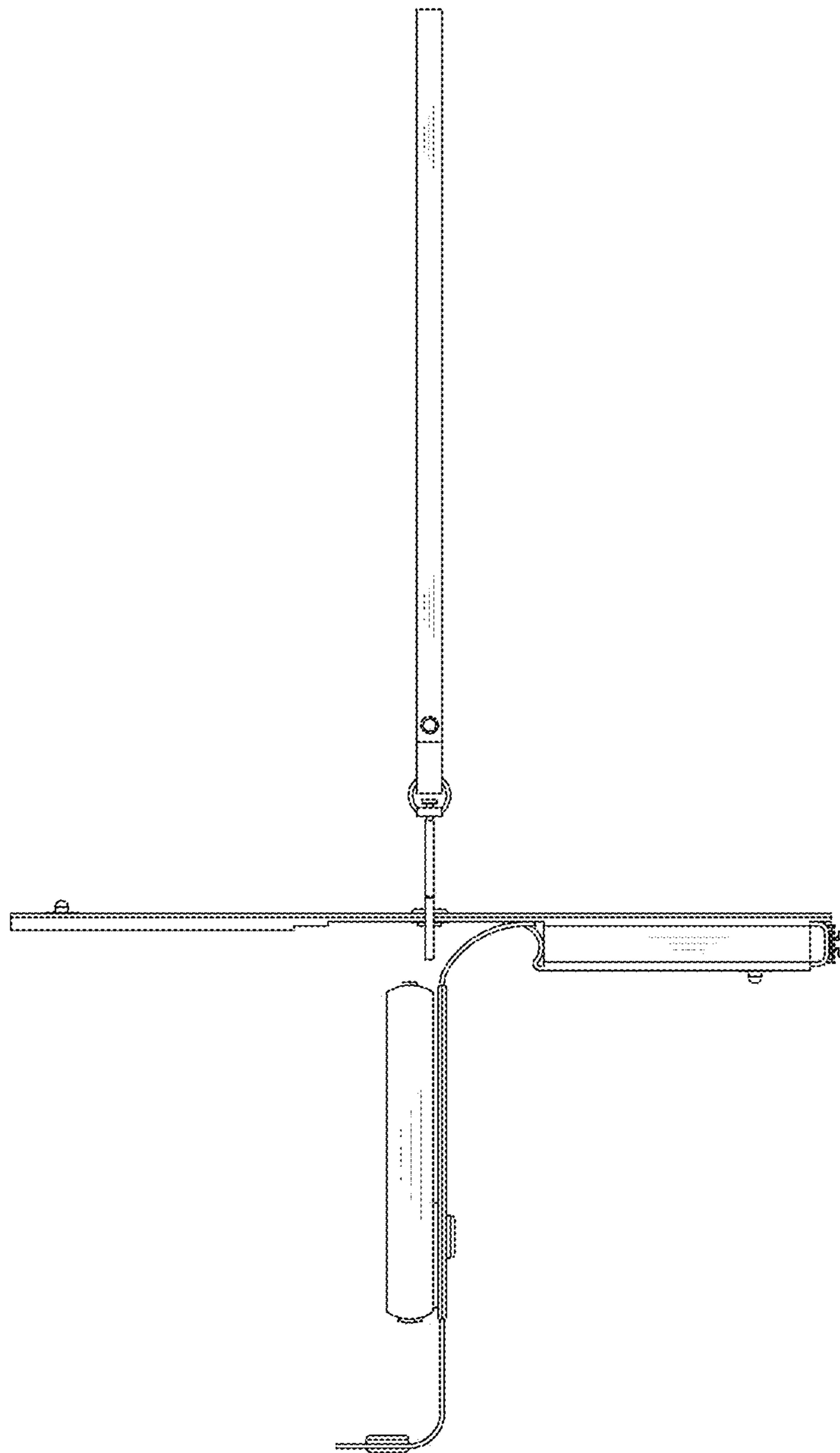


FIG. 7

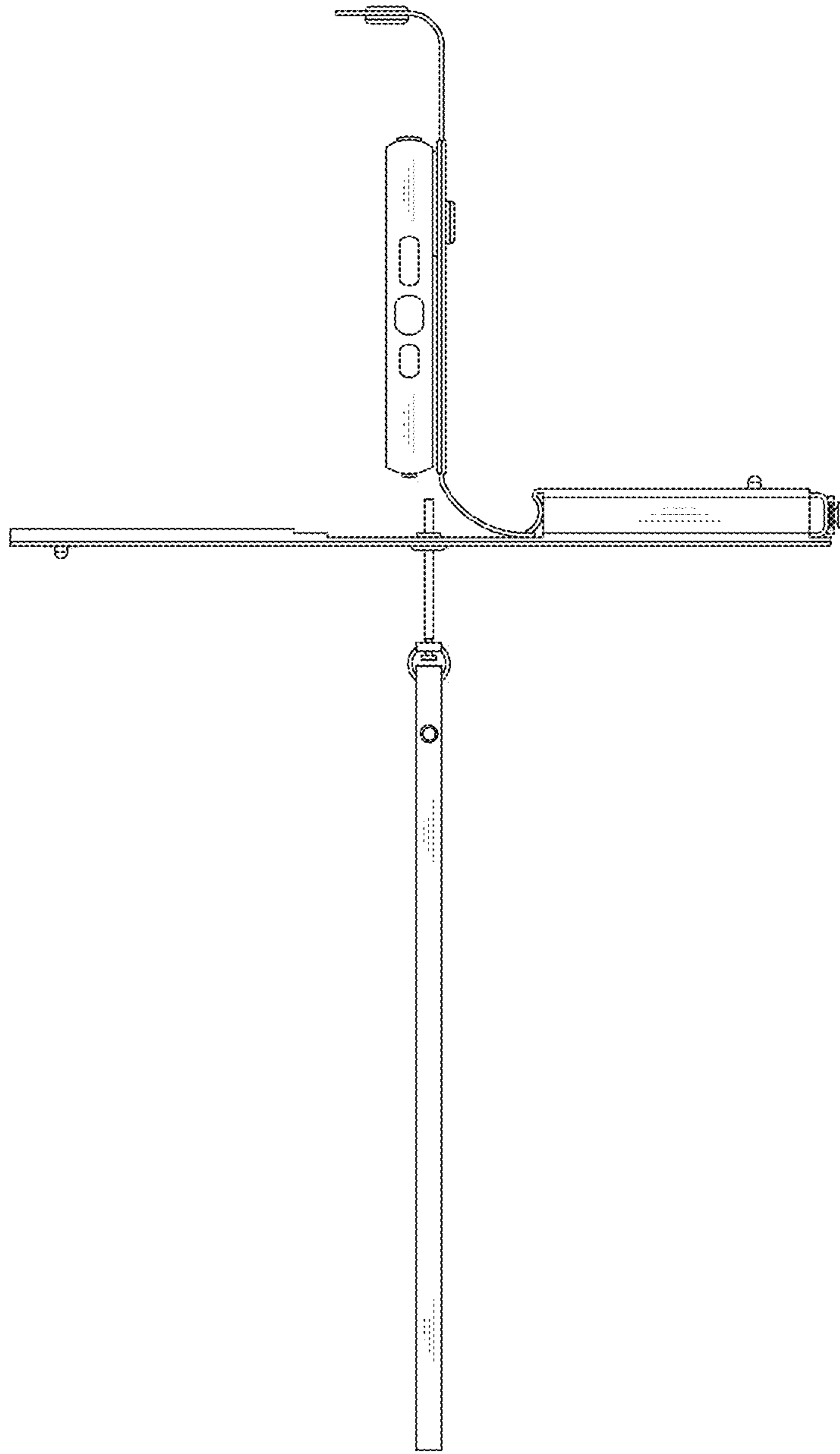


FIG. 8