

US00D968803S

(12) **United States Design Patent** (10) **Patent No.:** **US D968,803 S**  
**Krebs** (45) **Date of Patent:** **\*\* Nov. 8, 2022**

(54) **CLIP CONNECTOR**  
(71) Applicant: **OXBOW GEAR LLC**, Orem, UT (US)  
(72) Inventor: **Clayton Krebs**, Orem, UT (US)  
(73) Assignee: **OXBOW GEAR LLC**, Orem, UT (US)  
(\*\*) Term: **15 Years**  
(21) Appl. No.: **29/780,155**

10,617,180 B1 \* 4/2020 Yen ..... A44B 11/2592  
D904,177 S \* 12/2020 Peck ..... D8/382  
D926,466 S \* 8/2021 Eremita ..... D3/218  
11,160,331 B2 \* 11/2021 Chan ..... A44B 11/266  
D945,313 S \* 3/2022 Millward ..... D11/216  
D950,946 S \* 5/2022 Smith ..... D3/222  
11,375,777 B2 \* 7/2022 Yoshie ..... A44B 11/25  
2012/0175391 A1 \* 7/2012 Rogers ..... A45F 5/02  
224/191  
2021/0219667 A1 \* 7/2021 Chan ..... A44B 11/2592  
2022/0110419 A1 \* 4/2022 Mojica ..... B24D 15/08

(22) Filed: **Apr. 22, 2021**  
(51) **LOC (13) Cl.** ..... **03-01**  
(52) **U.S. Cl.**  
USPC ..... **D3/218**  
(58) **Field of Classification Search**  
USPC ..... D3/218, 318, 328; D11/200, 212, 215,  
D11/216, 220; D8/382  
CPC ..... A44B 11/26; A44B 11/263; A44B 11/266;  
A44B 11/2592; A45F 5/021; H04B  
2001/3855  
See application file for complete search history.

**FOREIGN PATENT DOCUMENTS**

NZ 418511-0001 \* 5/2014  
PH 3-2018-599-0001 \* 8/2018

\* cited by examiner

*Primary Examiner* — Sheryl Lane  
*Assistant Examiner* — Ieisha N Price  
(74) *Attorney, Agent, or Firm* — David A. Jones; Nadesan Beck P.C.

(57) **CLAIM**

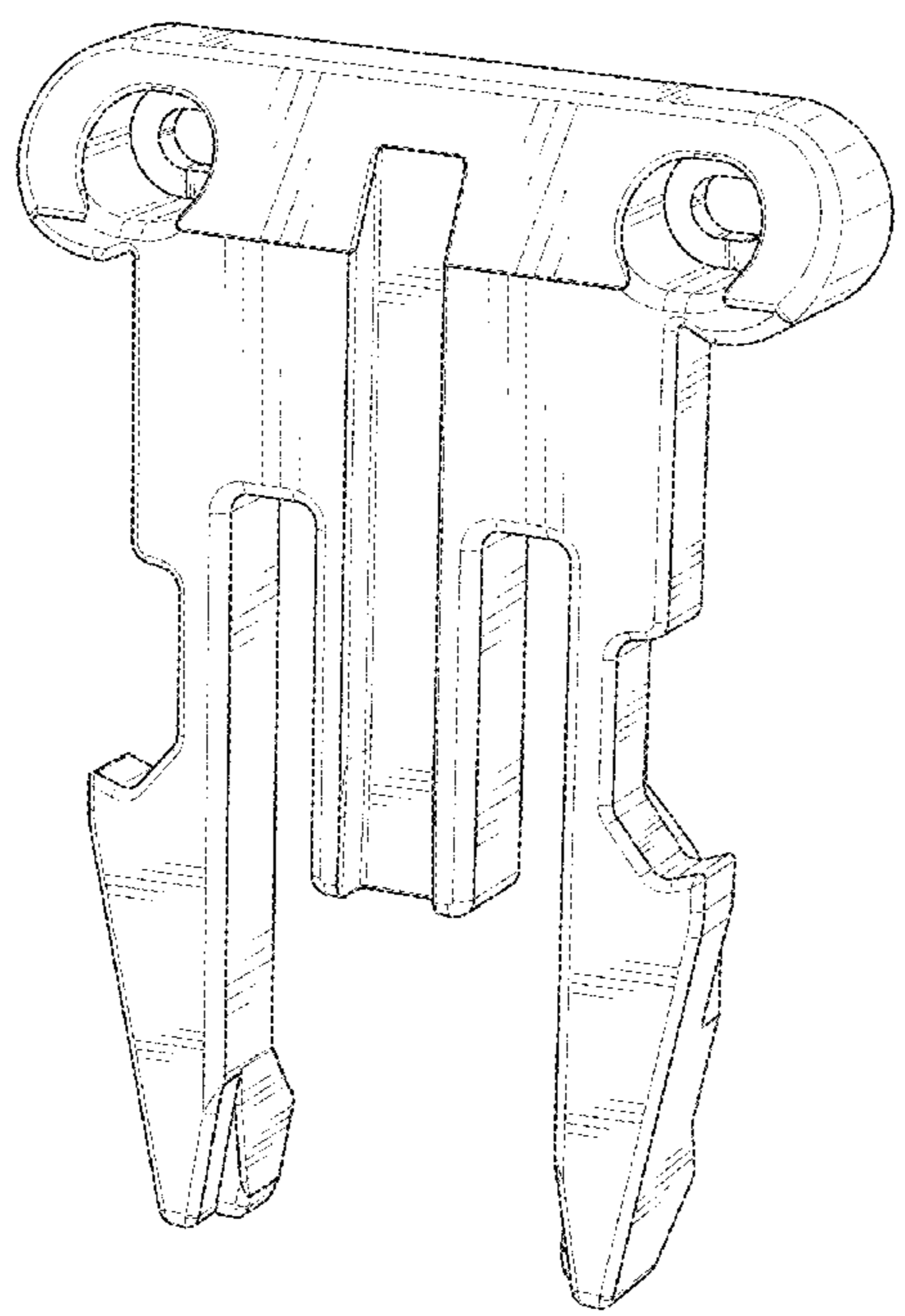
The ornamental design for a clip connector, as shown and described.

(56) **References Cited**  
U.S. PATENT DOCUMENTS  
D348,775 S \* 7/1994 Scheid ..... D3/218  
D349,262 S \* 8/1994 Krauss ..... D11/216  
D362,741 S \* 10/1995 Hollinger ..... D2/639  
6,684,466 B2 \* 2/2004 Nishida ..... A44B 11/266  
24/615  
D538,197 S \* 3/2007 Wemmer ..... D11/216  
D586,258 S \* 2/2009 Guney ..... D11/216  
7,685,685 B2 \* 3/2010 Giampavolo ..... A44B 11/266  
24/615  
D685,991 S \* 7/2013 Pearce ..... D3/218  
D715,185 S \* 10/2014 Iannello ..... D11/216  
D734,208 S \* 7/2015 Matos ..... D11/216

**DESCRIPTION**

FIG. 1 is a front perspective view of the clip connector in accordance with the present invention;  
FIG. 2 is a front elevational view thereof;  
FIG. 3 is a rear perspective view thereof;  
FIG. 4 is a rear elevational view thereof;  
FIG. 5 is a right elevational view thereof;  
FIG. 6 is a left elevational view thereof;  
FIG. 7 is a top elevational view thereof; and,  
FIG. 8 is a bottom elevational view thereof.

**1 Claim, 8 Drawing Sheets**



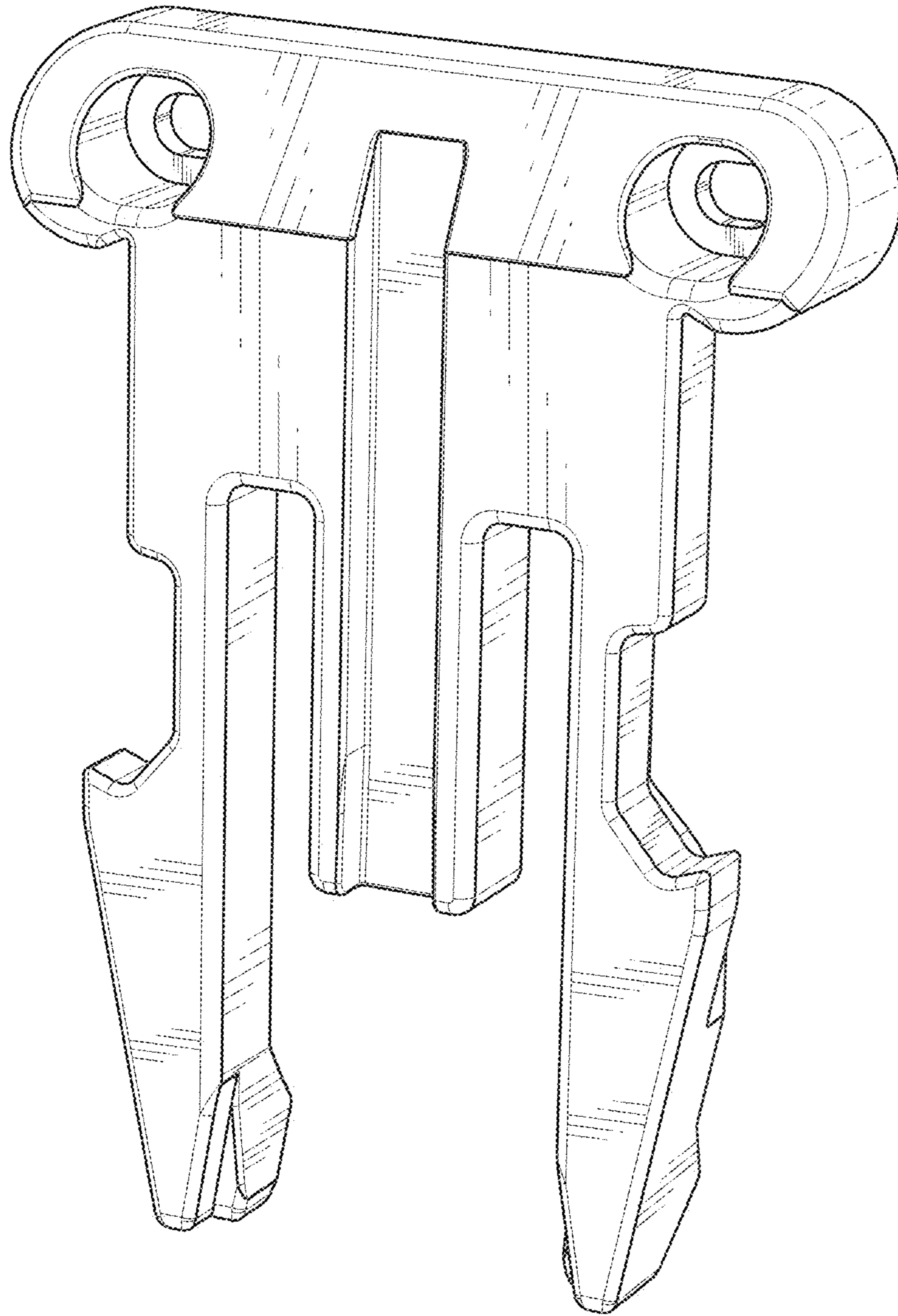


FIG. 1

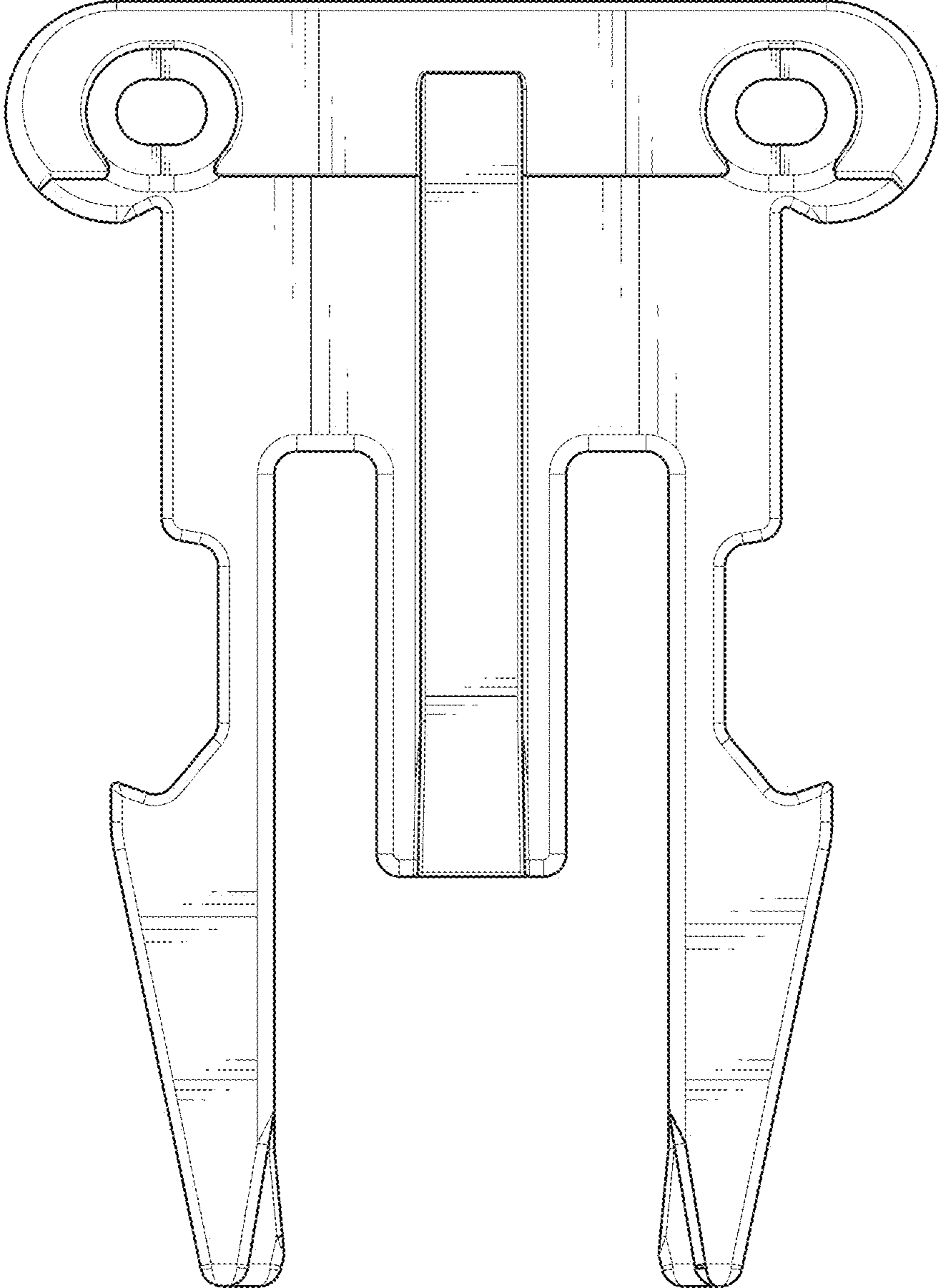


FIG. 2

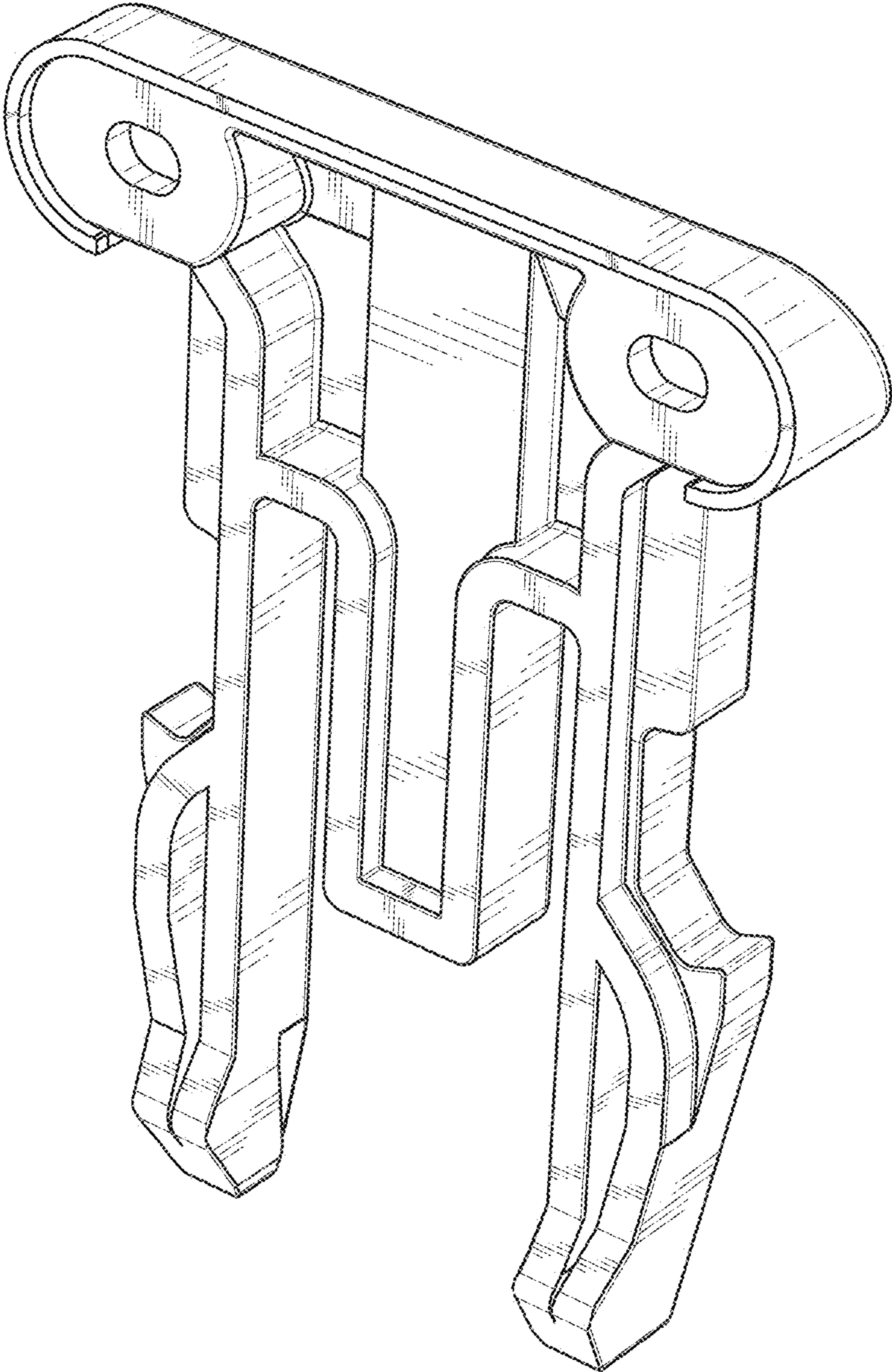


FIG. 3

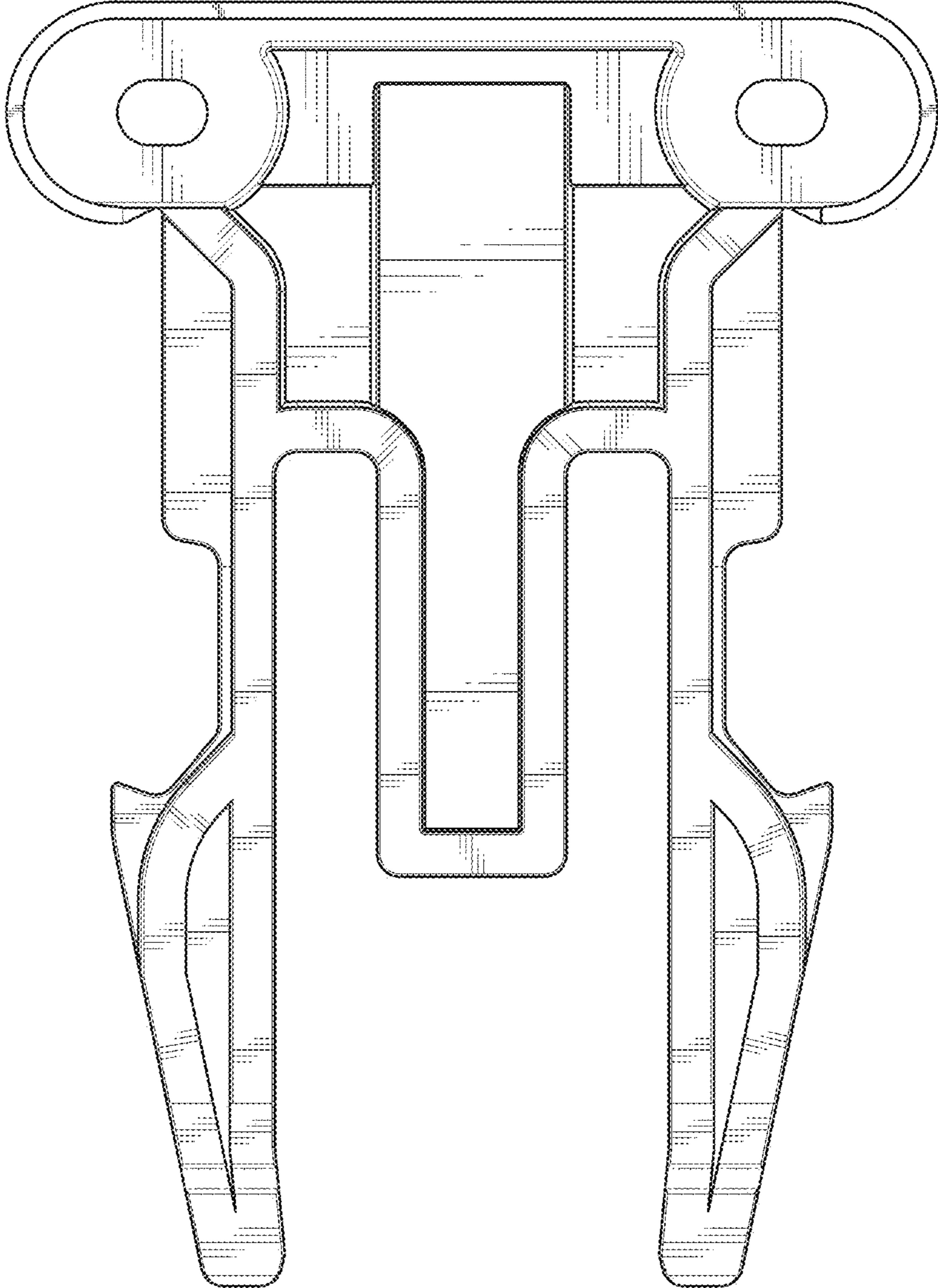


FIG. 4

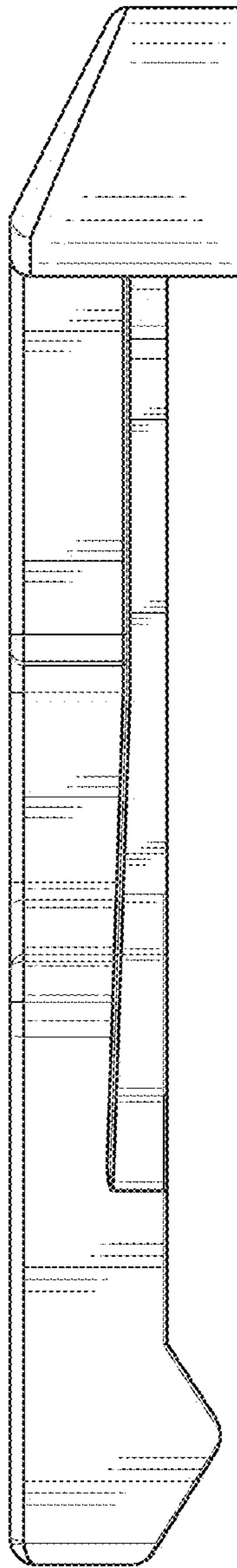


FIG. 5

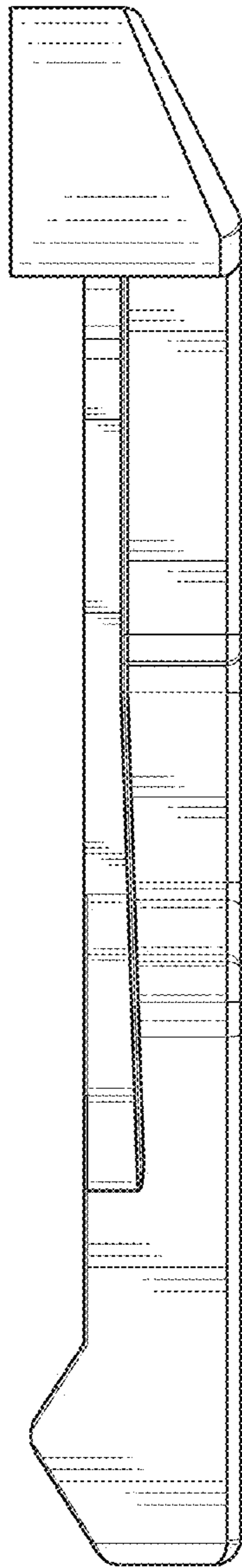


FIG. 6

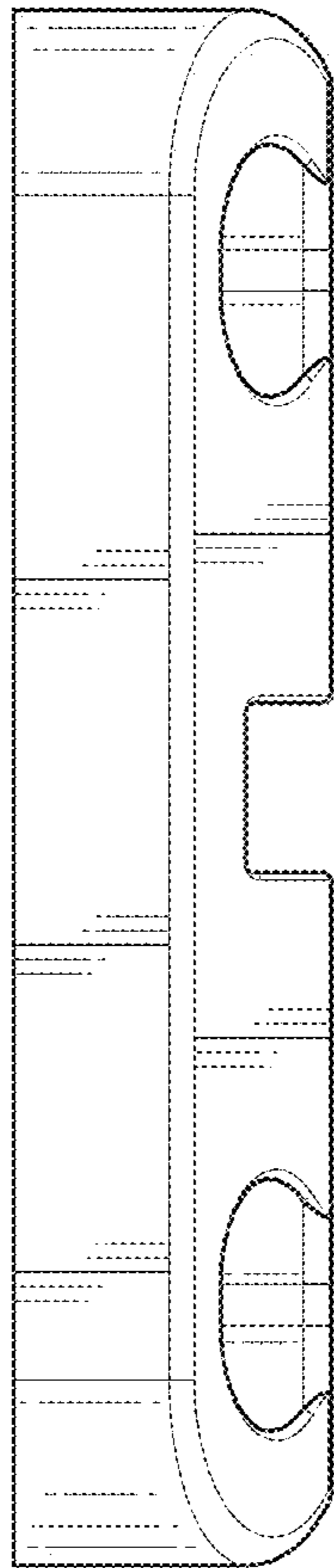


FIG. 7



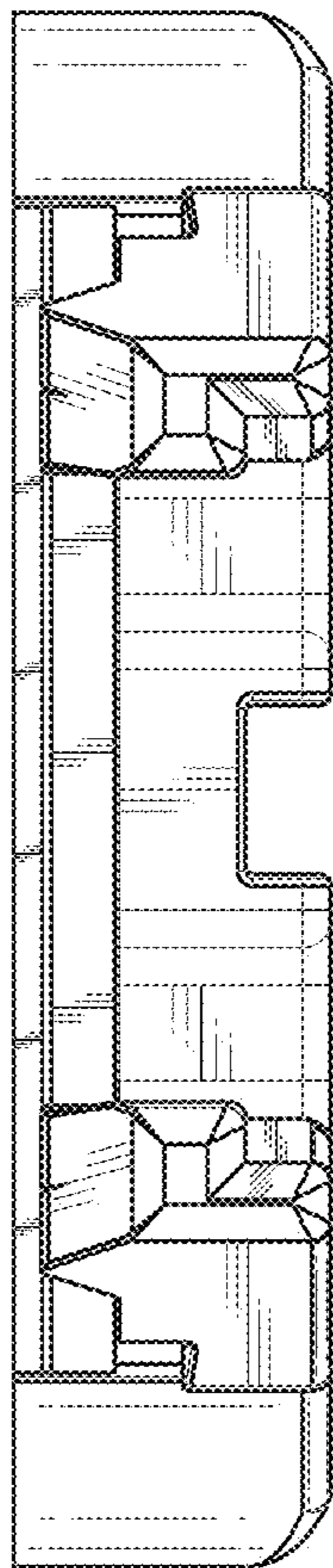


FIG. 8