



US00D968802S

(12) **United States Design Patent**
Zheng

(10) **Patent No.:** **US D968,802 S**

(45) **Date of Patent:** **** Nov. 8, 2022**

(54) **HIKING DAYPACK**

(71) Applicant: **Xiujin Zheng**, Putian (CN)

(72) Inventor: **Xiujin Zheng**, Putian (CN)

(**) Term: **15 Years**

(21) Appl. No.: **29/815,012**

(22) Filed: **Nov. 10, 2021**

(51) **LOC (13) Cl.** **03-01**

(52) **U.S. Cl.**
USPC **D3/217**

(58) **Field of Classification Search**
USPC D3/216, 217; D9/704
See application file for complete search history.

(56) **References Cited**

U.S. PATENT DOCUMENTS

D699,942 S *	2/2014	Mather	D3/217
D699,944 S *	2/2014	Mather	D3/217
D706,533 S *	6/2014	Hock	D3/217
D841,978 S *	3/2019	Ou	D3/217

D922,762 S *	6/2021	He	D3/217
D923,327 S	6/2021	Wen		
D954,427 S *	6/2022	Zhou	D3/217
2015/0182007 A1 *	7/2015	Ponx	A45C 13/02 224/653

* cited by examiner

Primary Examiner — Jennifer L Watkins

(74) *Attorney, Agent, or Firm* — Justin Lampel

(57) **CLAIM**

The ornamental design for a hiking daypack, as shown and described.

DESCRIPTION

FIG. 1 is a perspective view of a hiking daypack showing my new design;
FIG. 2 is a top plan view thereof;
FIG. 3 is a rear elevational view thereof;
FIG. 4 is a left side view thereof;
FIG. 5 is a front elevation view thereof;
FIG. 6 is a right side view thereof; and,
FIG. 7 is a bottom plan view thereof.

1 Claim, 7 Drawing Sheets





FIG.1

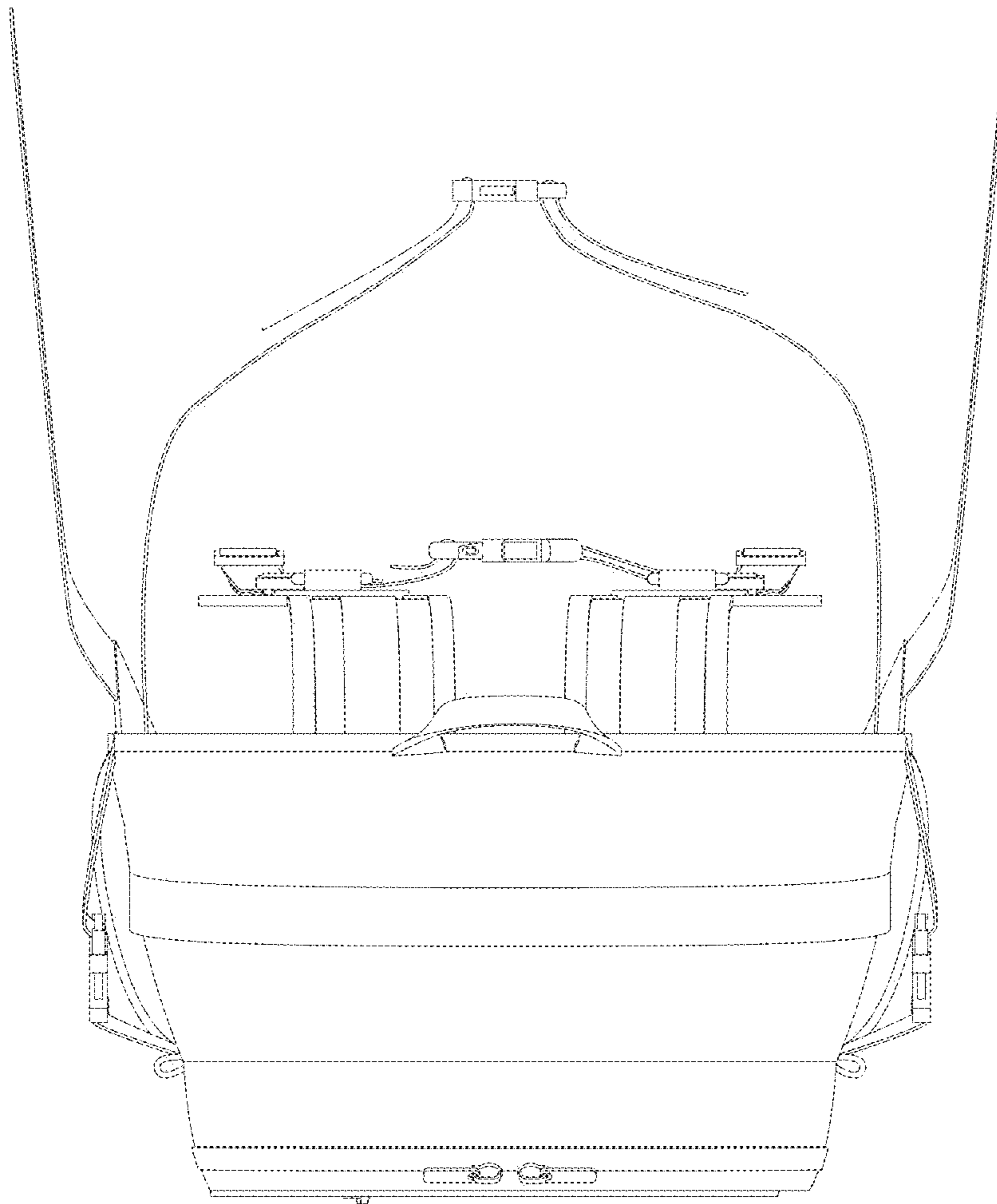


FIG.2

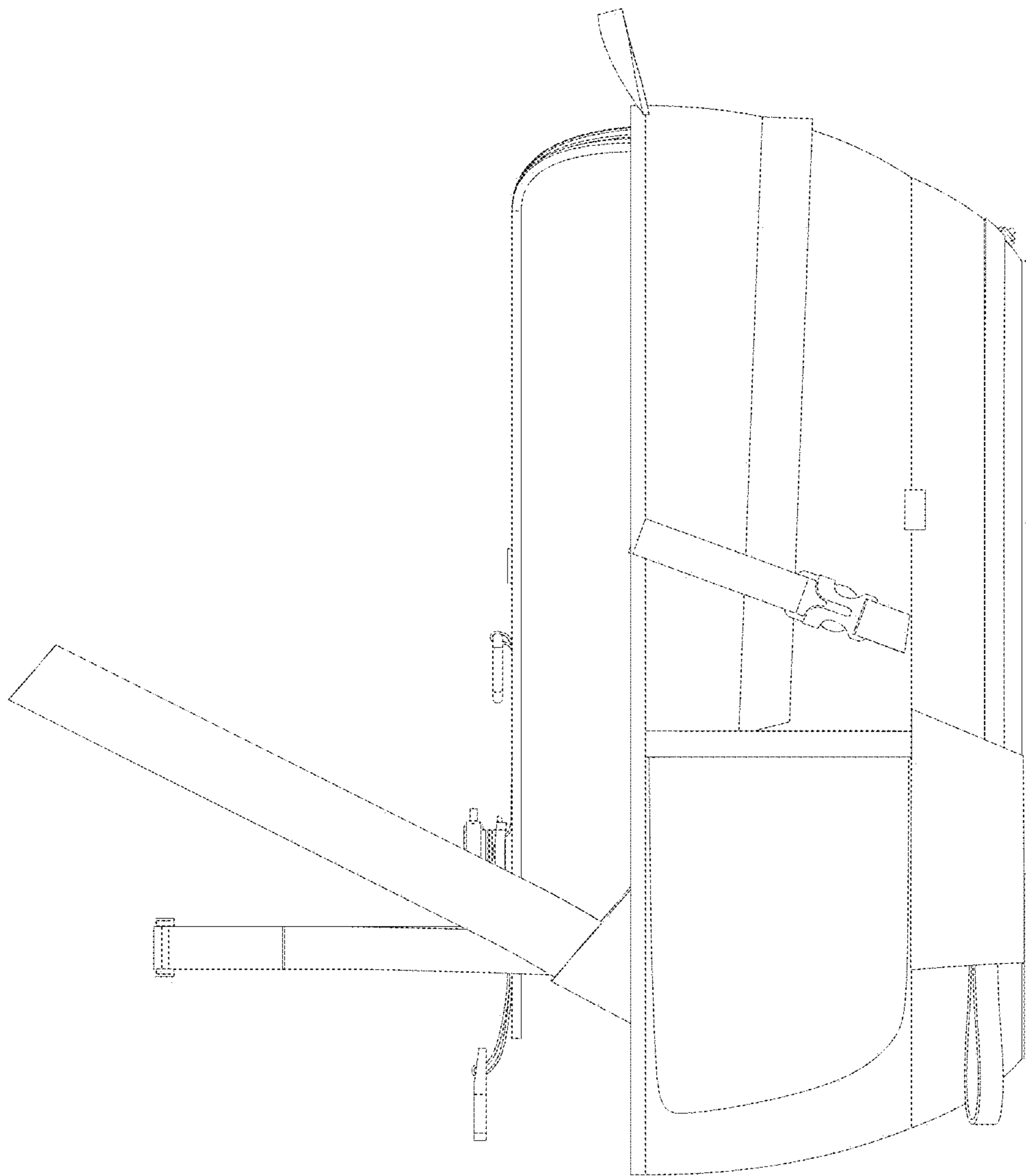


FIG.3

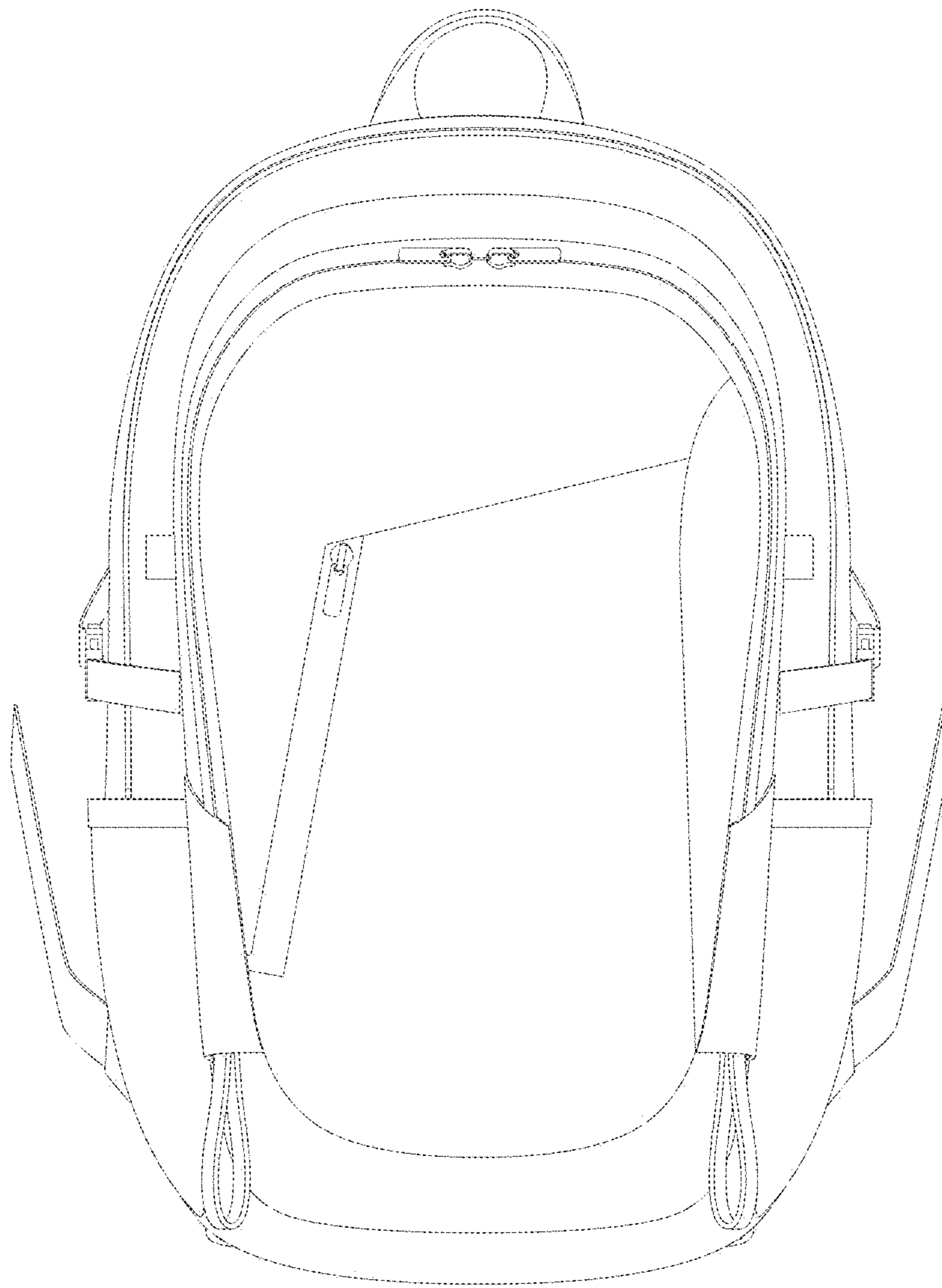


FIG. 4

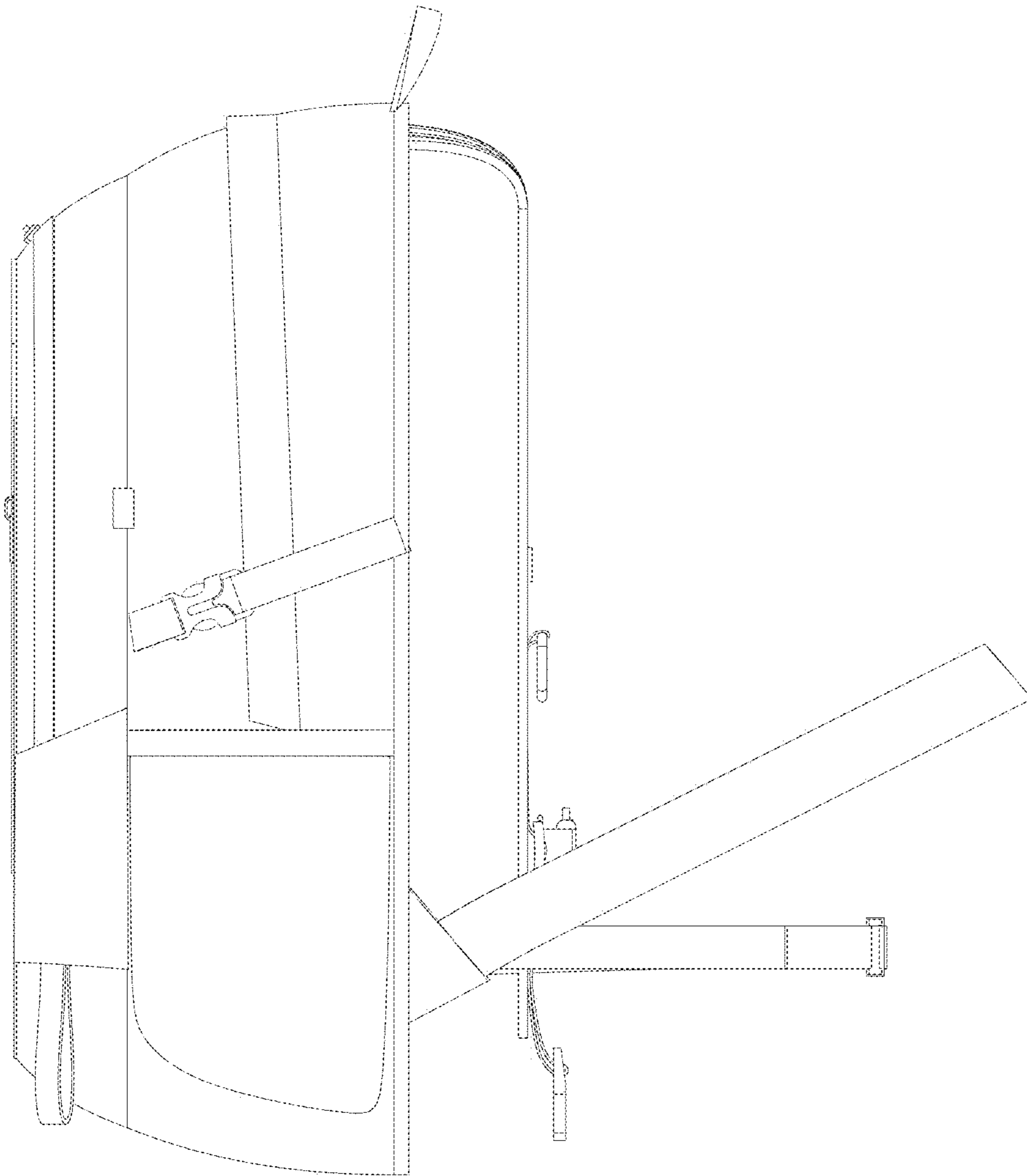


FIG.5

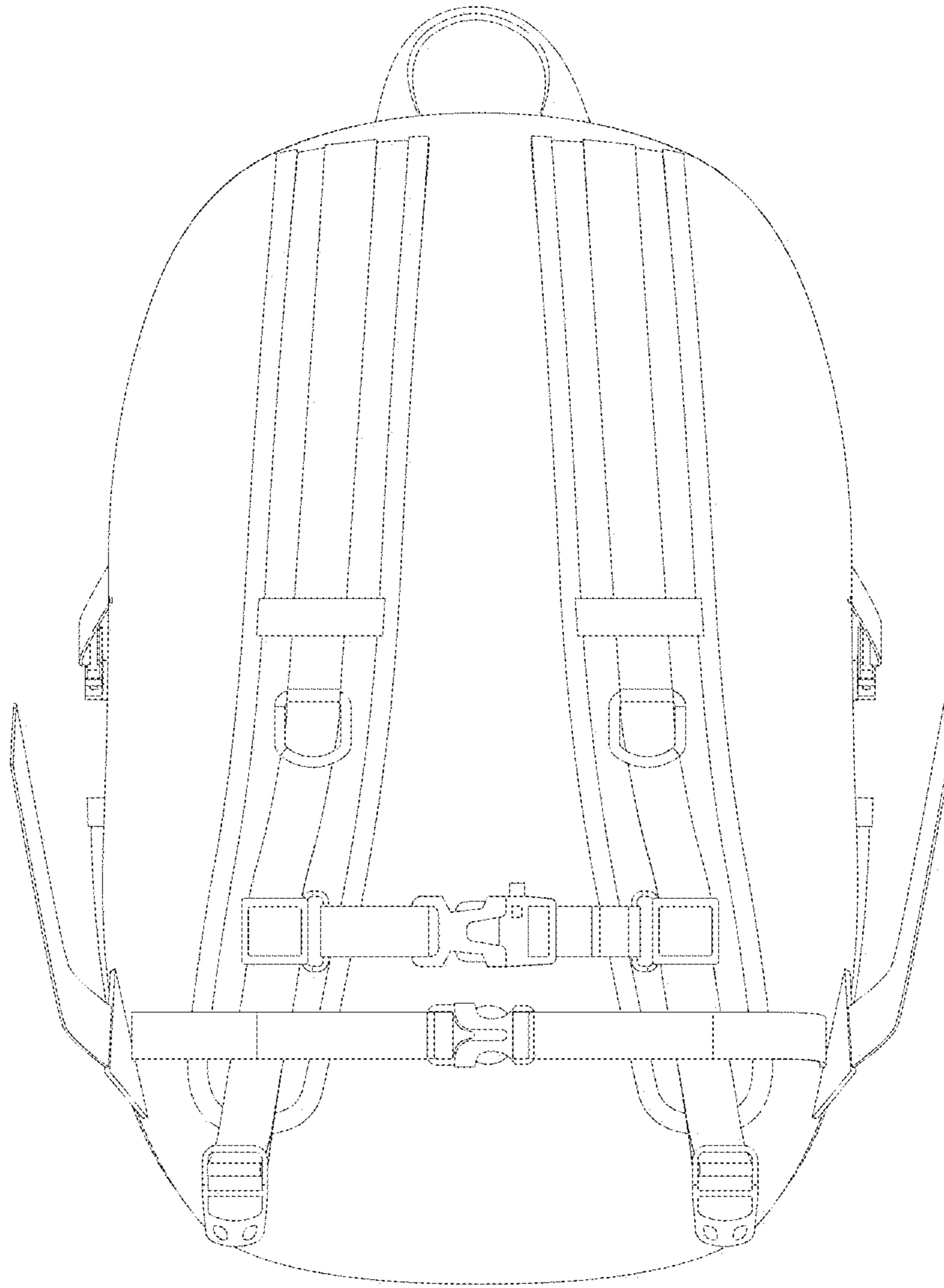


FIG.6

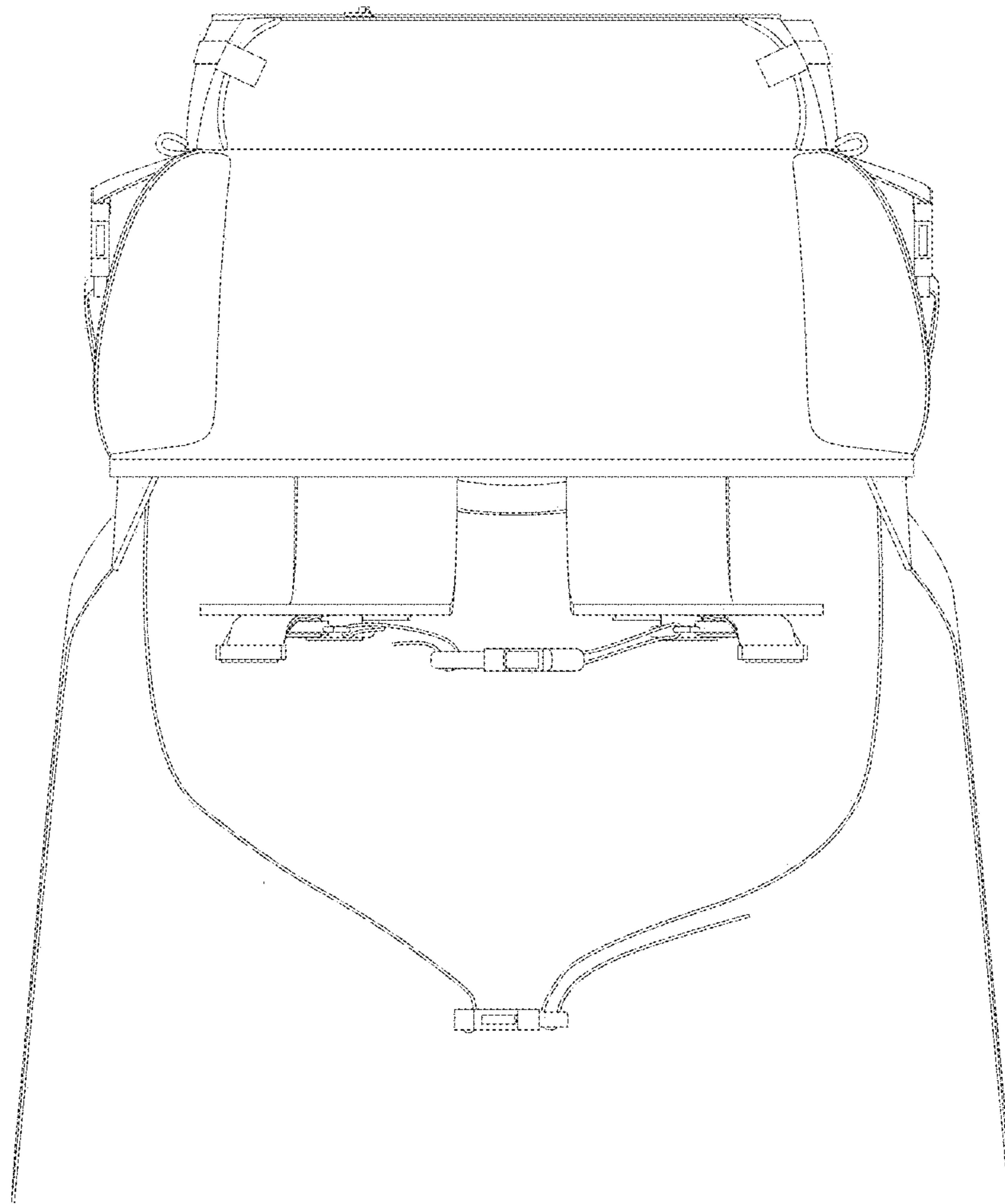


FIG. 7