



US00D968800S

(12) **United States Design Patent** (10) **Patent No.:** **US D968,800 S**  
**Inouye** (45) **Date of Patent:** **\*\* Nov. 8, 2022**

(54) **ADJUSTABLE ROLL-ON STAND**

FOREIGN PATENT DOCUMENTS

(71) Applicant: **Don Tetsuro Inouye**, Honolulu, HI (US)

CN 303963447 \* 12/2016

(72) Inventor: **Don Tetsuro Inouye**, Honolulu, HI (US)

OTHER PUBLICATIONS

Sportsunlimitedinc.com, Site visited Sep. 20, 2022, The Tailgater's Tire Mount for Flag Pole, oldest review dated Jul. 18, 2010, <https://www.sportsunlimitedinc.com/flagtiremount.html> (Year: 2010).\*

(\*\*) Term: **15 Years**

(Continued)

(21) Appl. No.: **29/788,680**

*Primary Examiner* — Brett Miller

(22) Filed: **Jul. 15, 2021**

*Assistant Examiner* — Jessica M Gebhart

(51) **LOC (13) Cl.** ..... **03-03**

(74) *Attorney, Agent, or Firm* — Seth M. Reiss

(52) **U.S. Cl.**  
USPC ..... **D3/10**

(57) **CLAIM**

(58) **Field of Classification Search**  
USPC ..... D3/5-17; D8/356, 382; D13/133, 154; D12/400, 401  
CPC ..... A45B 25/06; A45B 25/00; A45B 25/02; A45B 25/10; E04H 15/06  
See application file for complete search history.

I claim the ornamental design for an adjustable roll-on stand, substantially as shown and described.

**DESCRIPTION**

(56) **References Cited**

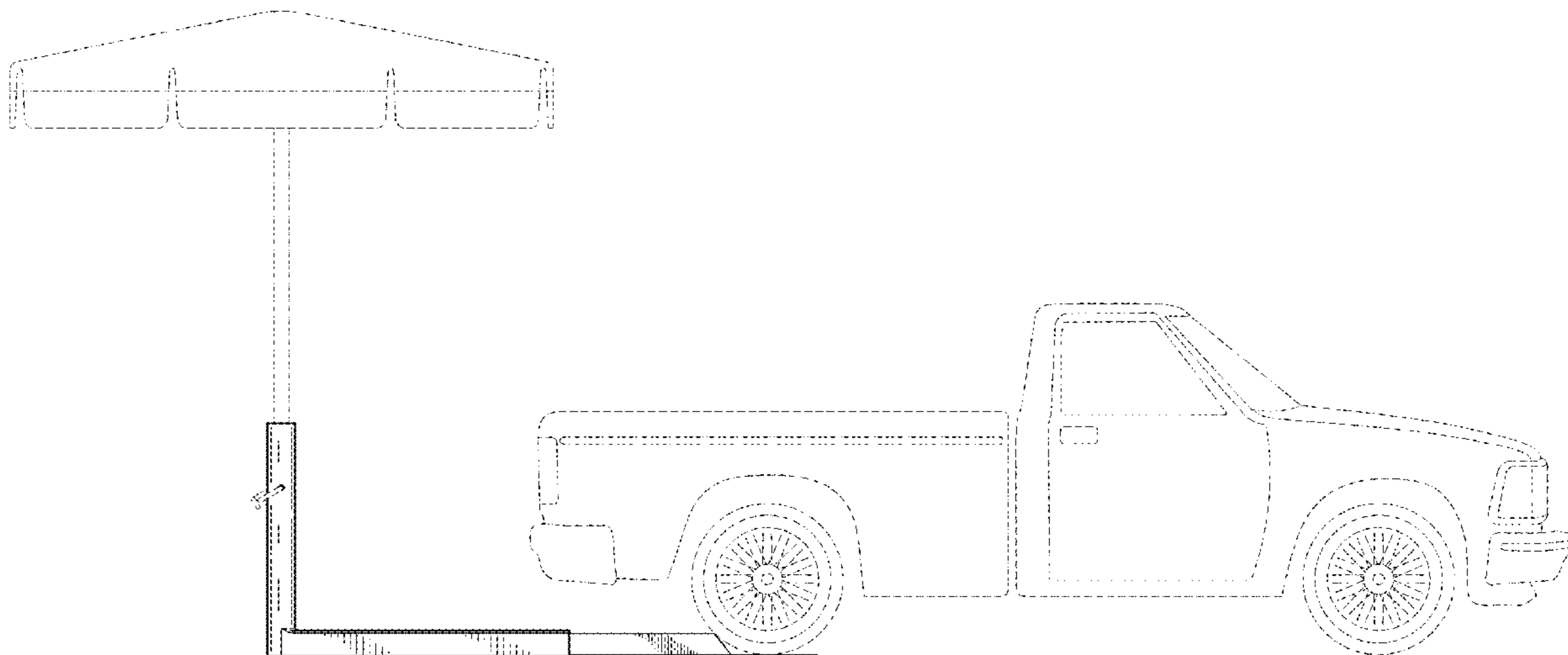
U.S. PATENT DOCUMENTS

2,989,967	A *	6/1961	Lee	.....	E04H 15/06 135/88.13
5,295,500	A *	3/1994	Leu	.....	E01F 9/658 135/88.06
5,601,104	A *	2/1997	Perkins	.....	E04H 15/06 135/88.06
5,850,843	A *	12/1998	Mahood	.....	A45B 23/00 135/88.06
5,881,978	A	3/1999	Rust		
5,911,399	A *	6/1999	Mannion	.....	F16M 13/00 135/88.06
6,082,269	A	7/2000	Padberg		
6,089,246	A	7/2000	Barnes		
6,305,394	B1 *	10/2001	Reese	.....	A45B 17/00 135/21

FIG. 1 is a top perspective view of the adjustable roll-on stand of the subject invention with parts shown separated. FIG. 2 is a bottom perspective view of the roll-on stand of the subject invention with parts assembled. FIG. 3 is a top plan view of the roll-on stand with parts shown separated. FIG. 4 is a bottom plan view of the roll-on stand with parts assembled. FIG. 5 is a left side view of the roll-on stand with parts shown separated. FIG. 6 is a right side view of the assembled roll-on stand illustrating its use in conjunction with a vehicle and an umbrella with pole. FIG. 7 is a front view of the roll-on stand with parts shown separated; and, FIG. 8 is a back view of the roll-on stand of the subject invention with parts assembled. The broken lines shown depict environment that form no part of the claimed design.

(Continued)

**1 Claim, 6 Drawing Sheets**



(56)

**References Cited**

U.S. PATENT DOCUMENTS

7,264,218 B1 \* 9/2007 Edwards ..... F16M 11/16  
248/512  
8,776,811 B2 7/2014 Griffith  
9,127,476 B2 9/2015 Cornew  
D834,806 S \* 12/2018 Spafford ..... D3/10  
10,337,203 B1 6/2019 Tomsy  
D891,753 S \* 8/2020 Inouye ..... D3/10  
D900,464 S \* 11/2020 Inouye ..... D3/10  
2005/0241546 A1 11/2005 Royse  
2006/0162622 A1 7/2006 Fisher  
2006/0254635 A1 11/2006 Matheus et al.  
2008/0017226 A1 1/2008 Norbert et al.  
2013/0153737 A1 6/2013 Zoeteman

OTHER PUBLICATIONS

Amazon.com, Site visited Sep. 20, 2022, Sports Flags Pennants Company Tailgating Tire Base Mount, First available Aug. 24, 2019, <https://www.amazon.com/Sports-Flags-Pennants-Company-Tailgating/dp/B07WZ6KQJM> (Year: 2019).\*

HomeDepot.com, Site visited Sep. 20, 2022, MaxxHaul Umbrella Hitch Mount, oldest review Apr. 26, 2021, <https://www.homedepot.com/p/MaxxHaul-500-lbs-Weight-Limit-Carrier-Hitch-Mount-Umbrella-Holder-Durable-and-Sturdy-50102/314428235> (Year: 2021).\*  
"Rob", Etrailer.com, Jan. 21, 2013.

\* cited by examiner

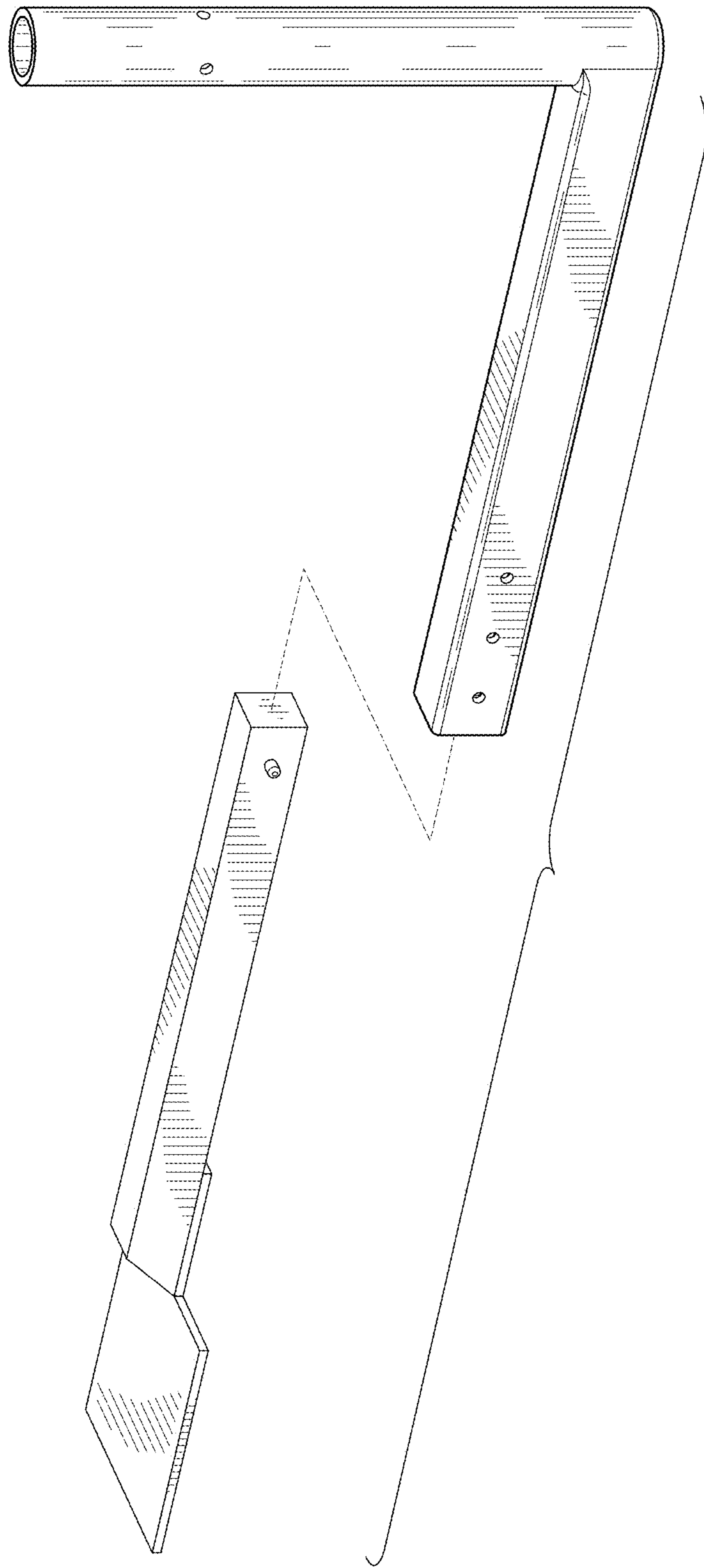


FIG. 1

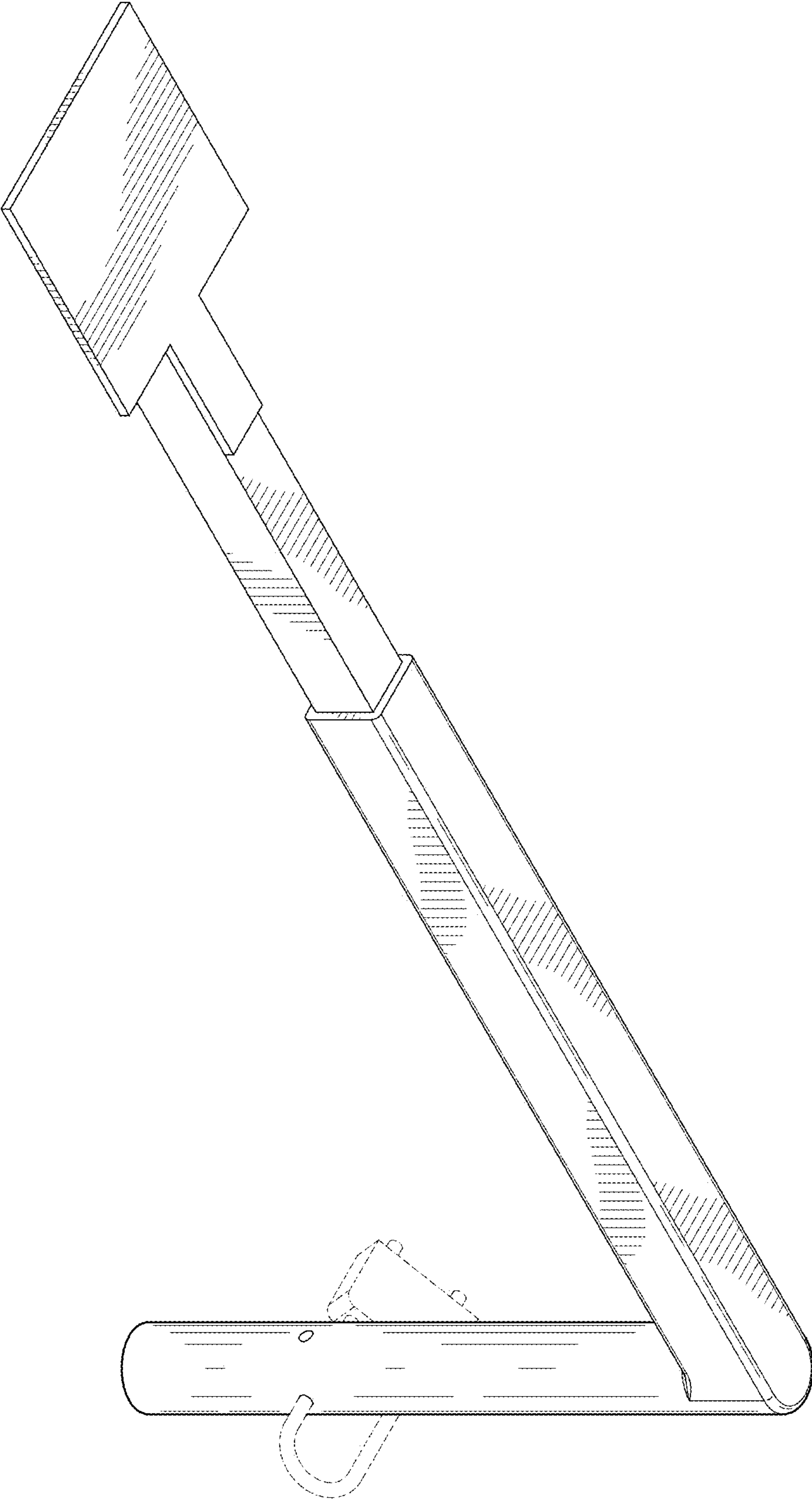
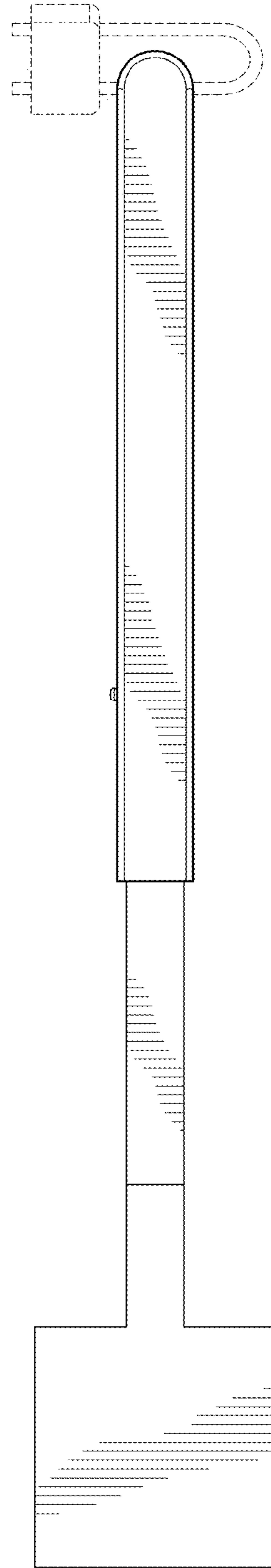
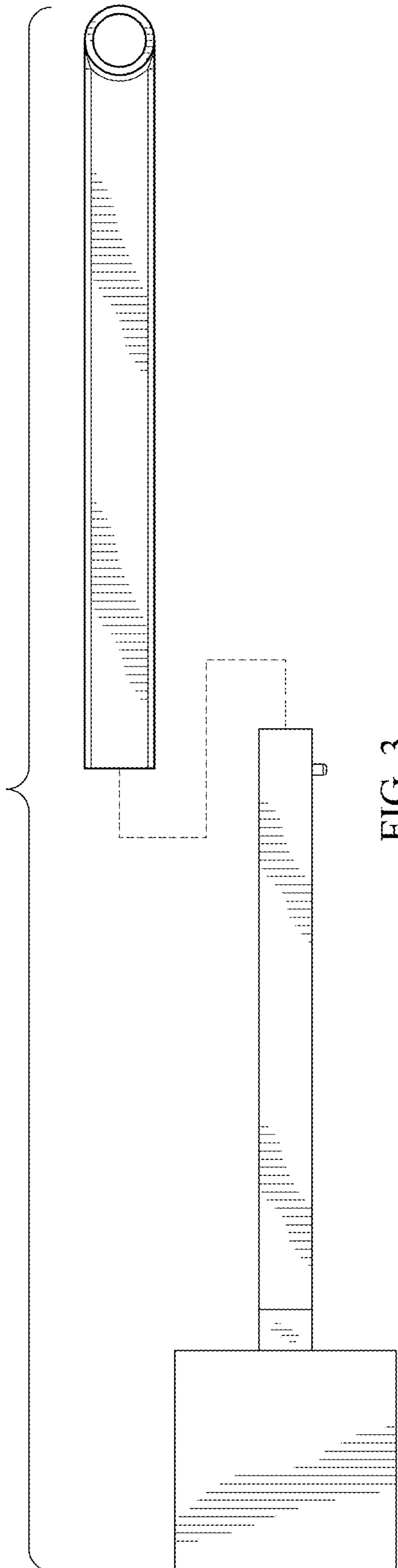


FIG. 2



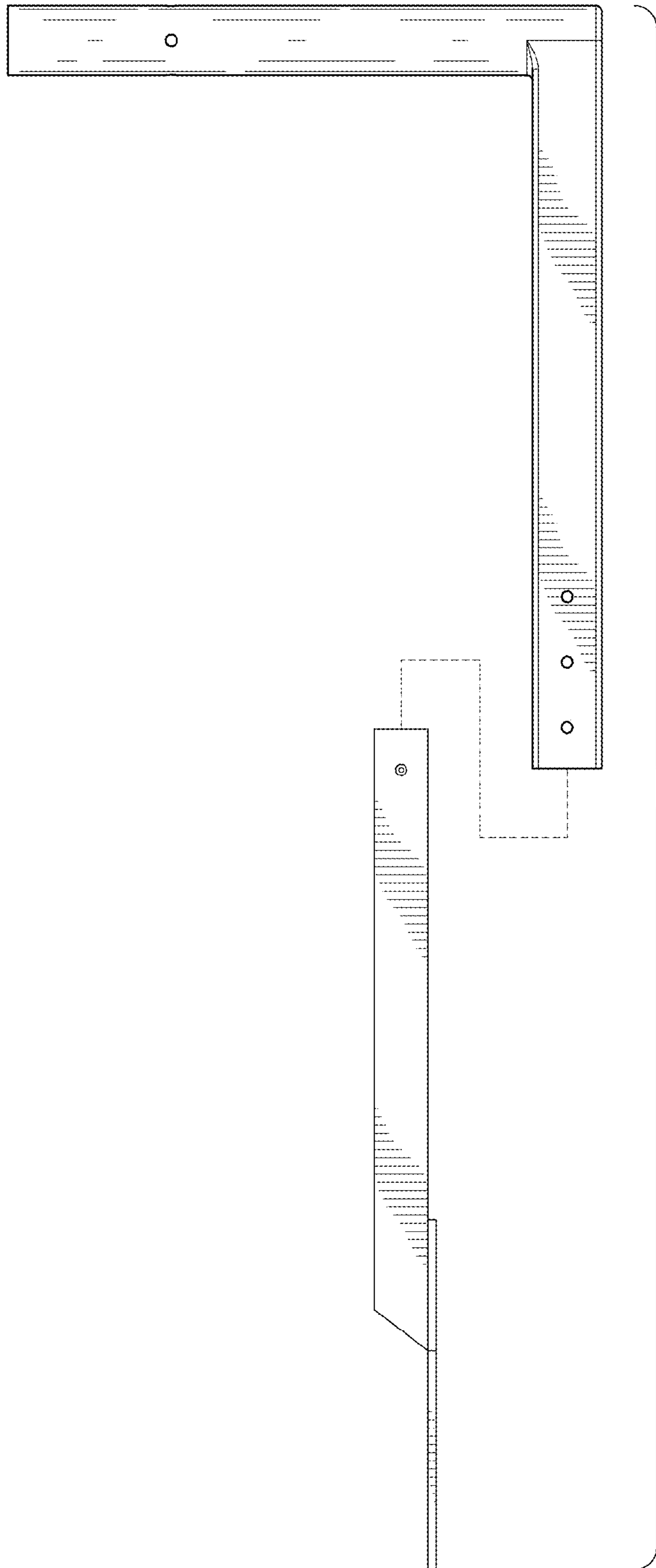


FIG. 5



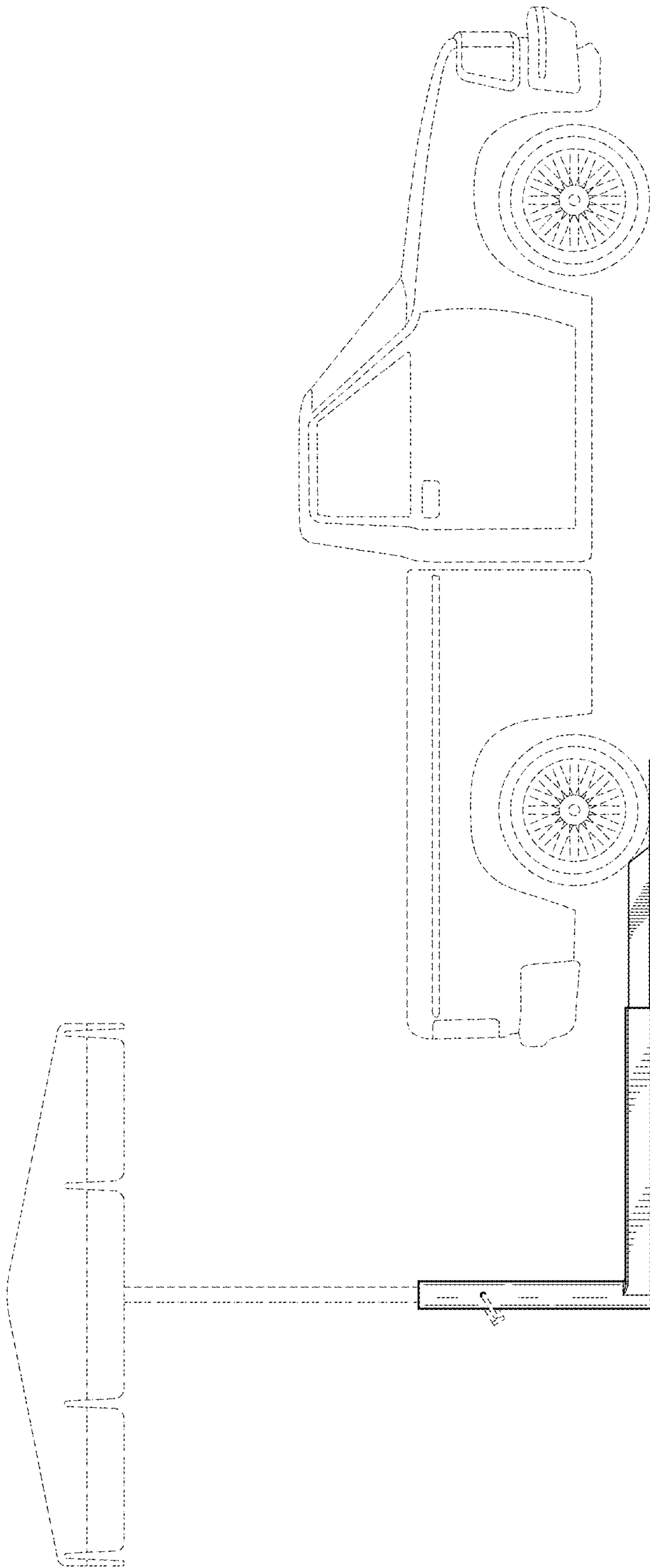


FIG. 6

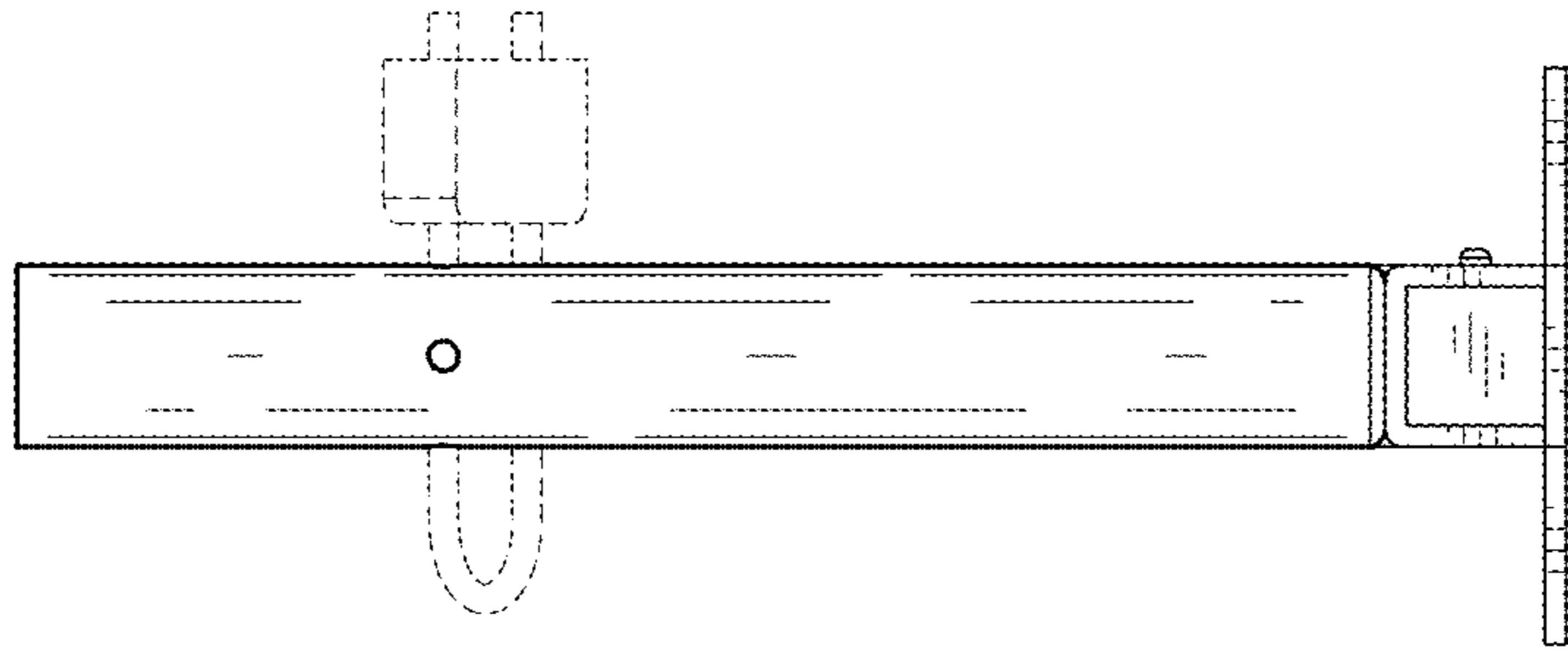


FIG. 8

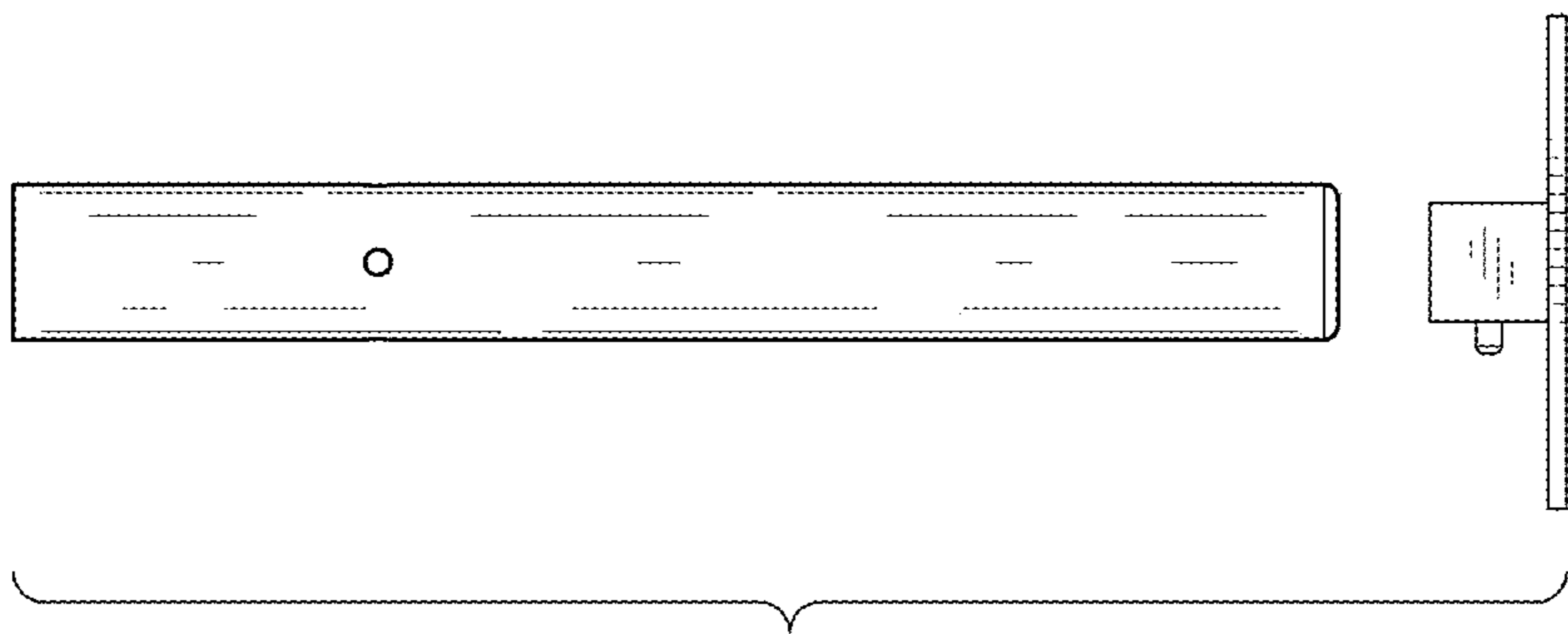


FIG. 7